

P/N 81515055

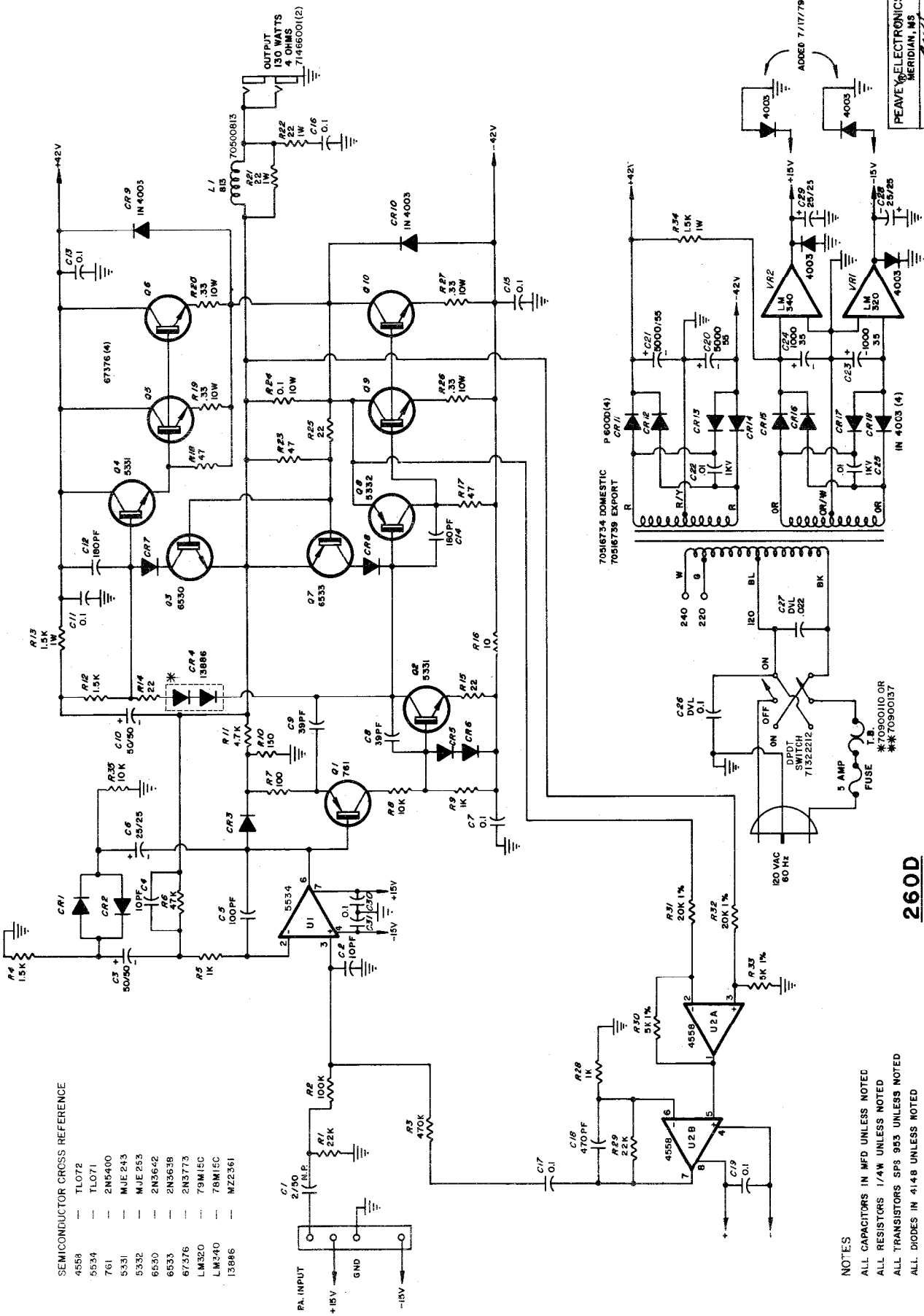
REVISED 12/11/80  
 PEAVEY ELECTRONICS CORP.  
 MERIDIAN MS.  
 DRAWN BY [Signature]  
 CKT. BRD. [Signature]  
 DATE 10-10-78  
 APPR. BY [Signature]

NOTES  
 ALL RESISTORS 1/4W UNLESS NOTED  
 ALL CAPACITORS IN MFD UNLESS NOTED  
 ALL DIODES IN MFD UNLESS NOTED  
 LAST REF DESIGNATOR USED  
 R 104  
 C 84  
 Q 2  
 CR 19  
 U 11  
 ALL POTS LINEAR UNLESS NOTED

STANDARD  
 MARK III SERIES  
 PREAMP

SEMICONDUCTOR CROSS REFERENCE

4558	TL072
5534	TLO71
761	2N5400
5331	MJE 243
5332	MJE 253
6530	2N3642
6533	2N3638
67376	2N3773
LM320	79M15C
LM340	78M15C
13886	MZ2361



260D

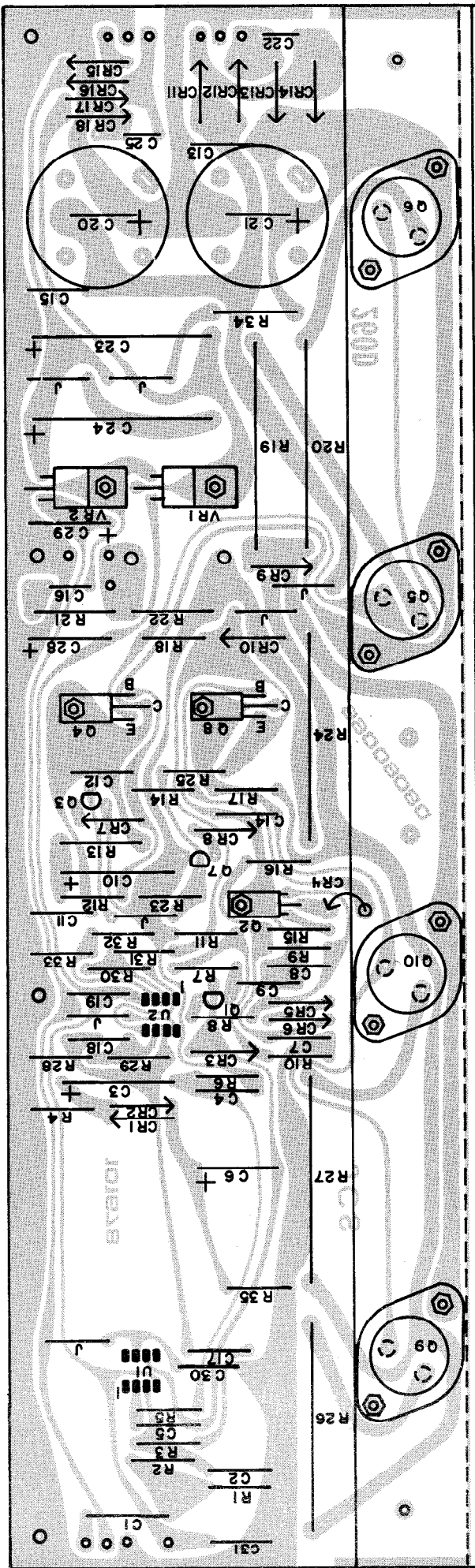
NOTES

- ALL CAPACITORS IN MFD UNLESS NOTED
- ALL RESISTORS 1/4W UNLESS NOTED
- ALL TRANSISTORS SP3 953 UNLESS NOTED
- ALL DIODES IN 4148 UNLESS NOTED
- LAST REFERENCE DESIGNATOR USED
- C3 R35 Q10 U2 CR18
- \*ATTACHED TO H.S. \*\* ATTACHED TO 67376 TRANSISTOR
- PRINTED IN U.S.A. ©1986 PEAVEE ELECTRONICS

PEAVEE ELECTRONICS CORP.  
 MERIDIAN, MS  
 DRAWN BY: [Signature]  
 CK. BY: [Signature]  
 APPR. BY: [Signature]

REVISED 8/11/86

ADDED 7/17/79



260 D