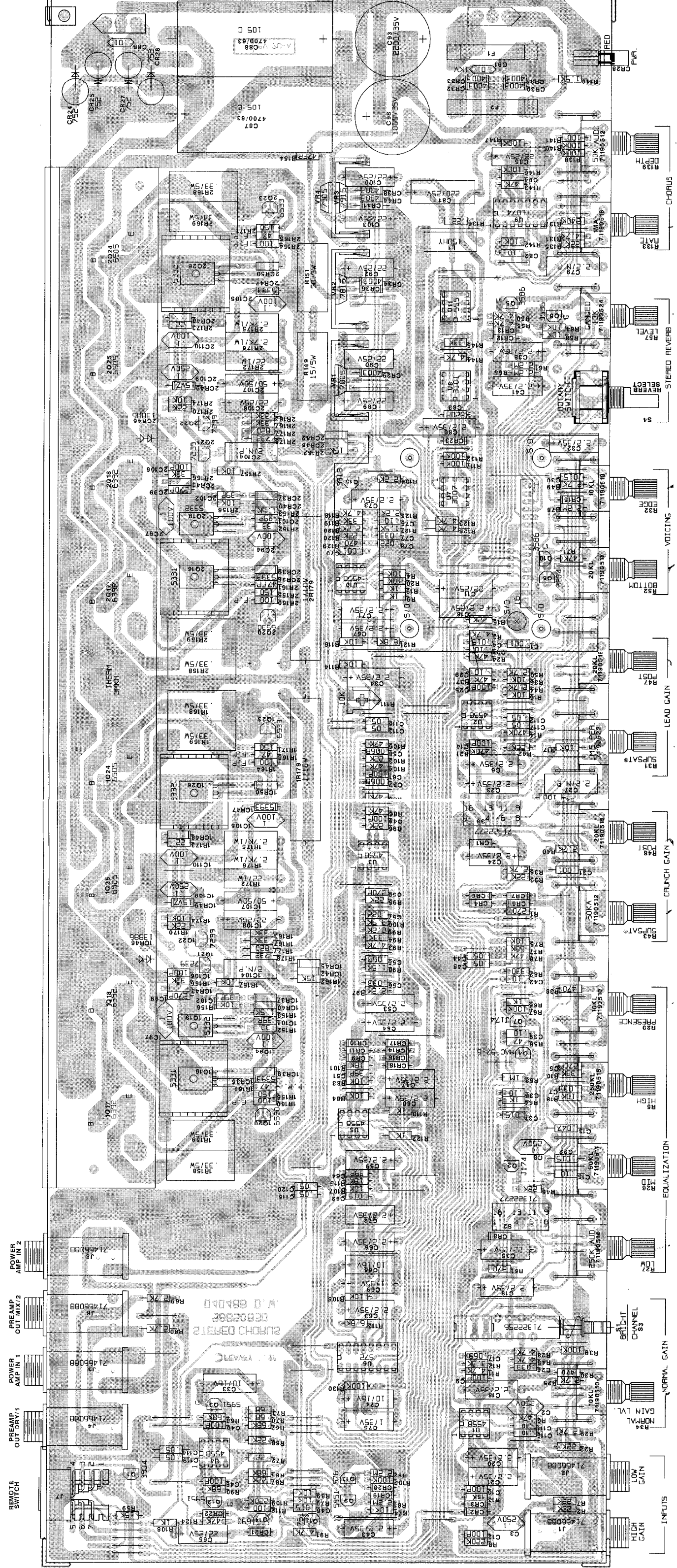


NOTES:
 ALL RESISTORS 1/4W UNLESS NOTED
 ALL POTS ARE LINEAR UNLESS NOTED
 ALL CAPS ARE POLYMER UNLESS NOTED
 ALL VALUES MAY VARY FROM UNIT TO UNIT
 1579 C10 C80 87 U11 57 T81 L1
 PATENT PENDING

STEREO CHORUS™ 212

95, #985030 (4-1-88)

PEAVEY ELECTRONICS CORP.
 1500 W. 15TH ST.
 DEERBORN, MO. 64741
 DATE 1-18-89
 D.K. BY [Signature]
 APPR. BY [Signature]

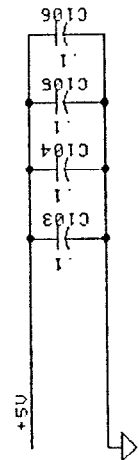
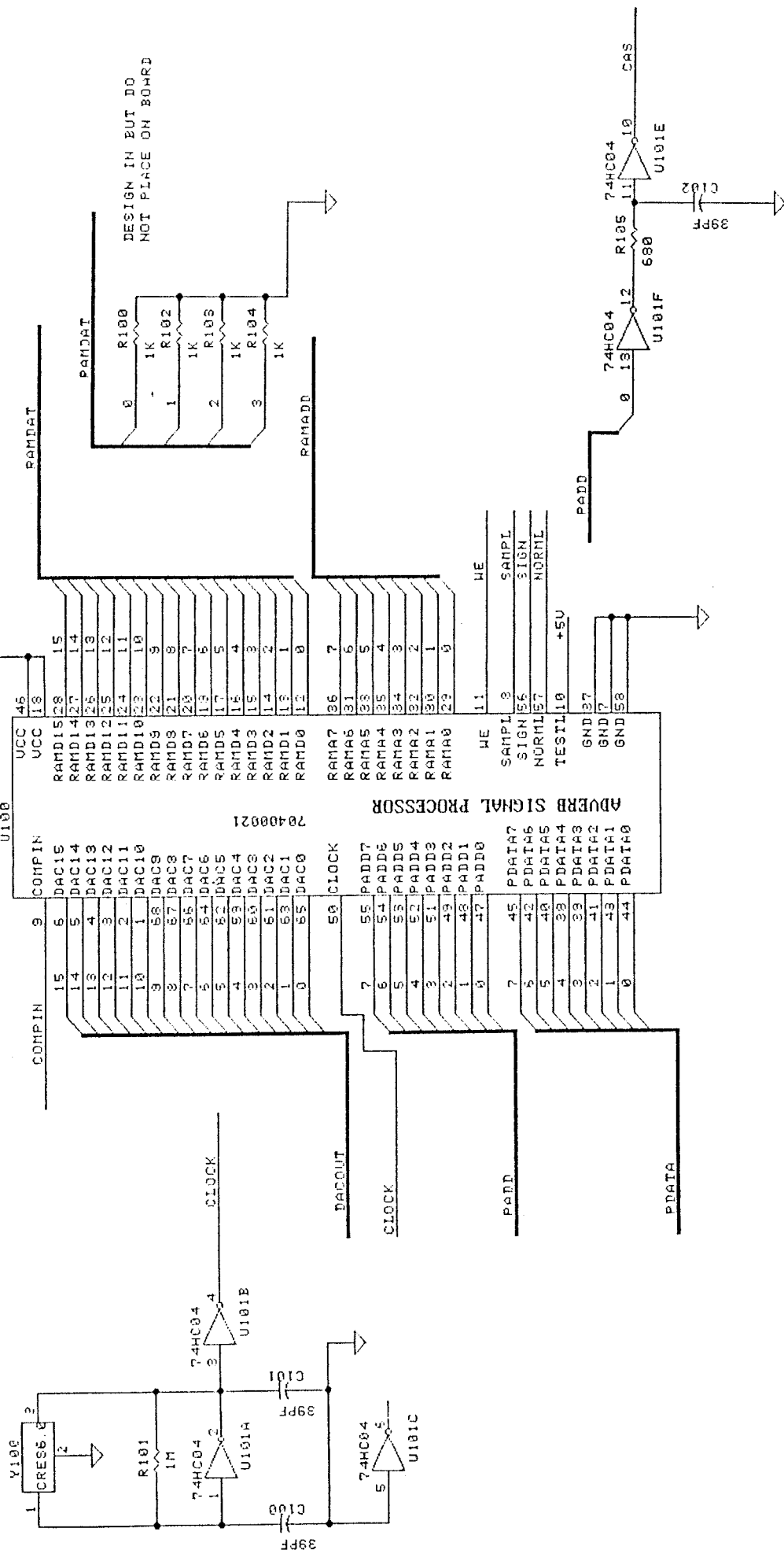


STEREO CHOHUS™212



CONFIDENTIAL

Y100 IS CERAMIC RESONATOR THROUGH HOLE PART



NOTE HIGHEST REF R105 C106 U101

PEAVEY ELECTRONICS
711 A STREET
MERIDIAN MISS. 39301

TITLE
GUITAR REVERB

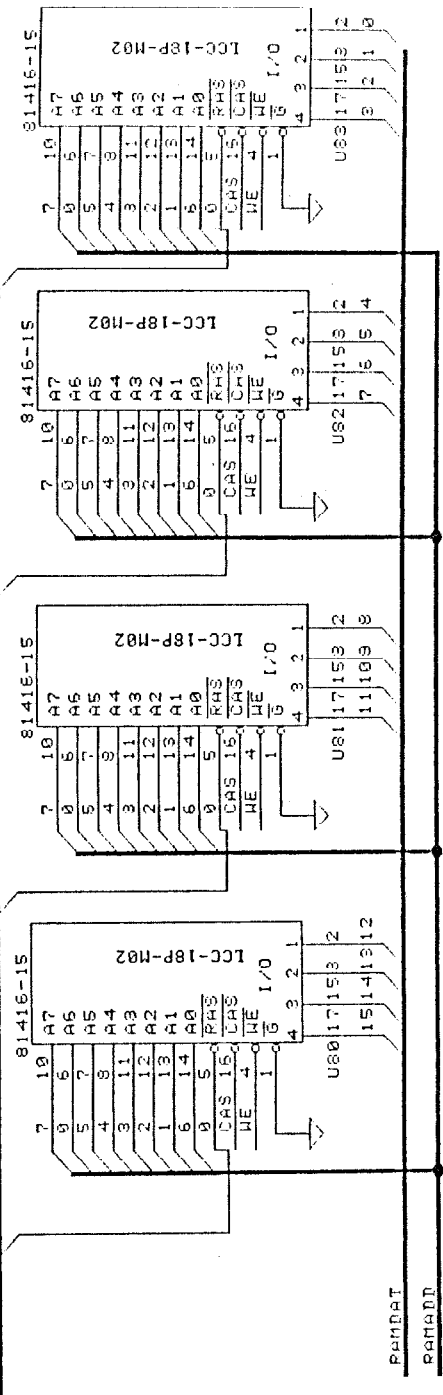
SIZE	CODE	NUMBER	REV
B		XXXXXXXXXXXXXX	A

DATE 5-DEC-87 SHEET 1 OF 5

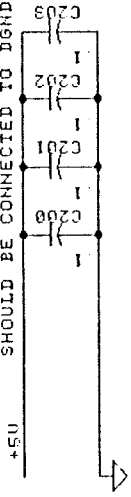
1 2 3 4 5 6 7 8

CONFIDENTIAL

PADD



(THESE CAPS ARE FOR RAM DECOUPLING. 81416 PIN 18 SHOULD BE CONNECTED TO DGND AND PIN 9 TO +5V)



NOTE HIGHEST REF C203. U83

PEAVEY ELECTRONICS
711 A STREET
MERIDIAN MISS. 39301

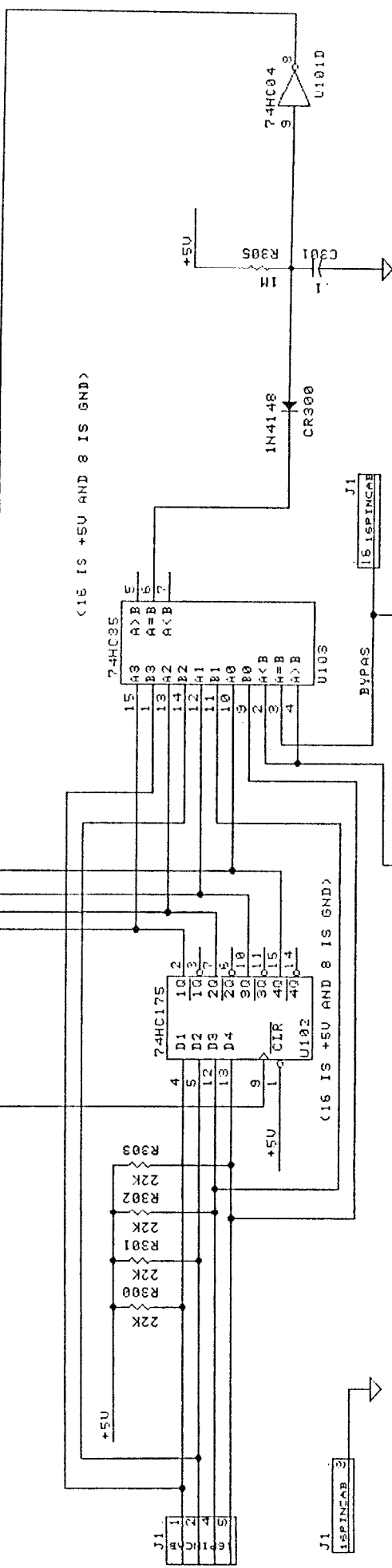
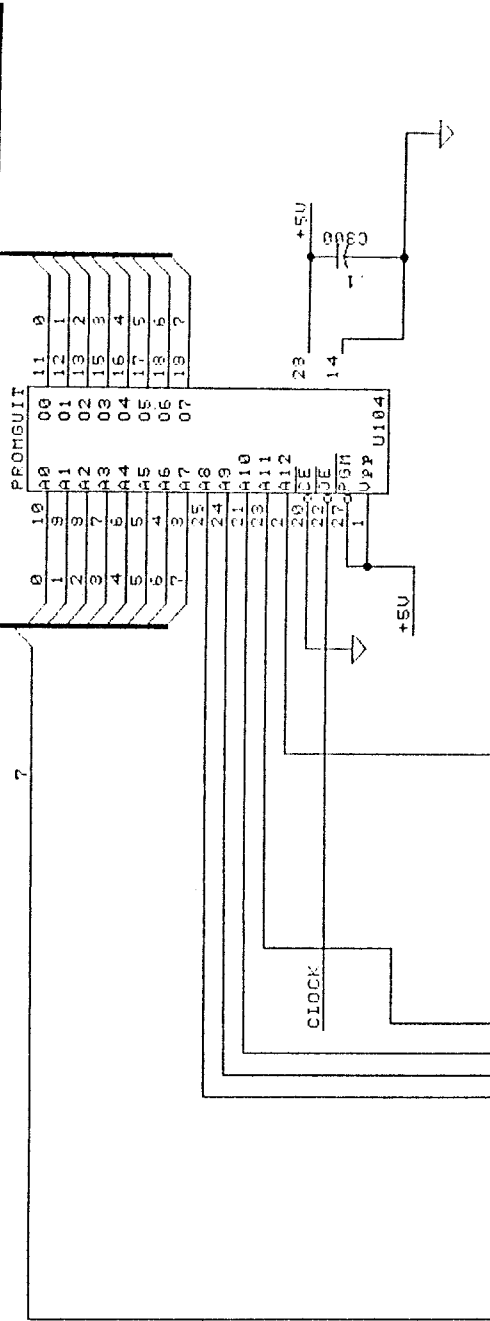
TITLE
16K X 4 MEMORY FOR GUITAR REV

SIZE	CODE	NUMBER	REV
B		xxxxxxxxxxxx	A
DATE	5-DEC-97		SHEET 2 OF 5

1 2 3 4 5 6 7 8

CONFIDENTIAL

PROM IS THROUGH HOLE WITH 28 PIN SOCKET



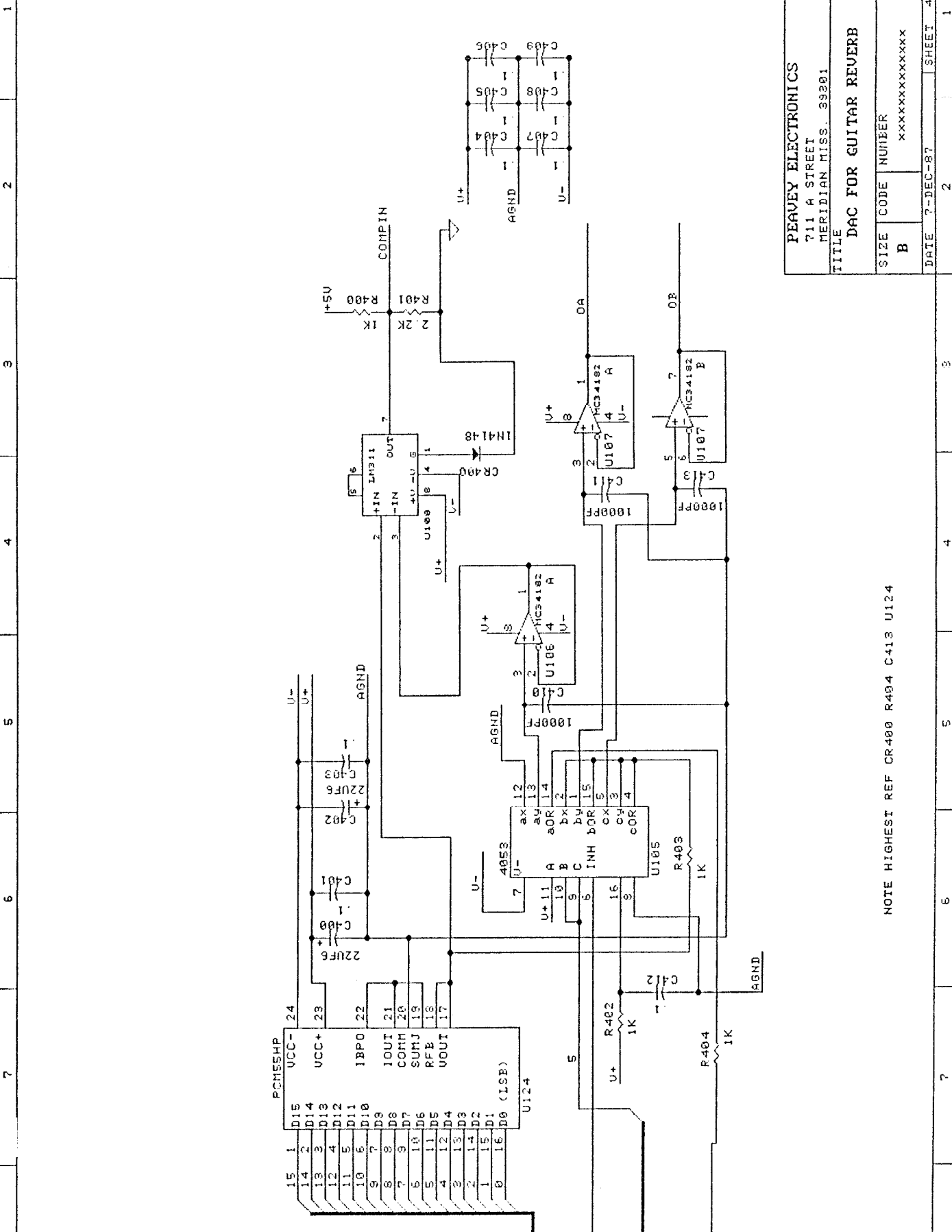
NOTE HIGHEST REF CR300 R305 C301 U104 J1

PEAVEY ELECTRONICS
711 A STREET
MERIDIAN MISS. 39301

TITLE
ALGORITHM PROM FOR GUITAR REV

SIZE	NUMBER	REV
B	XXXXXXXXXXXX	A

DATE 7-DEC-87 SHEET 3 OF 5



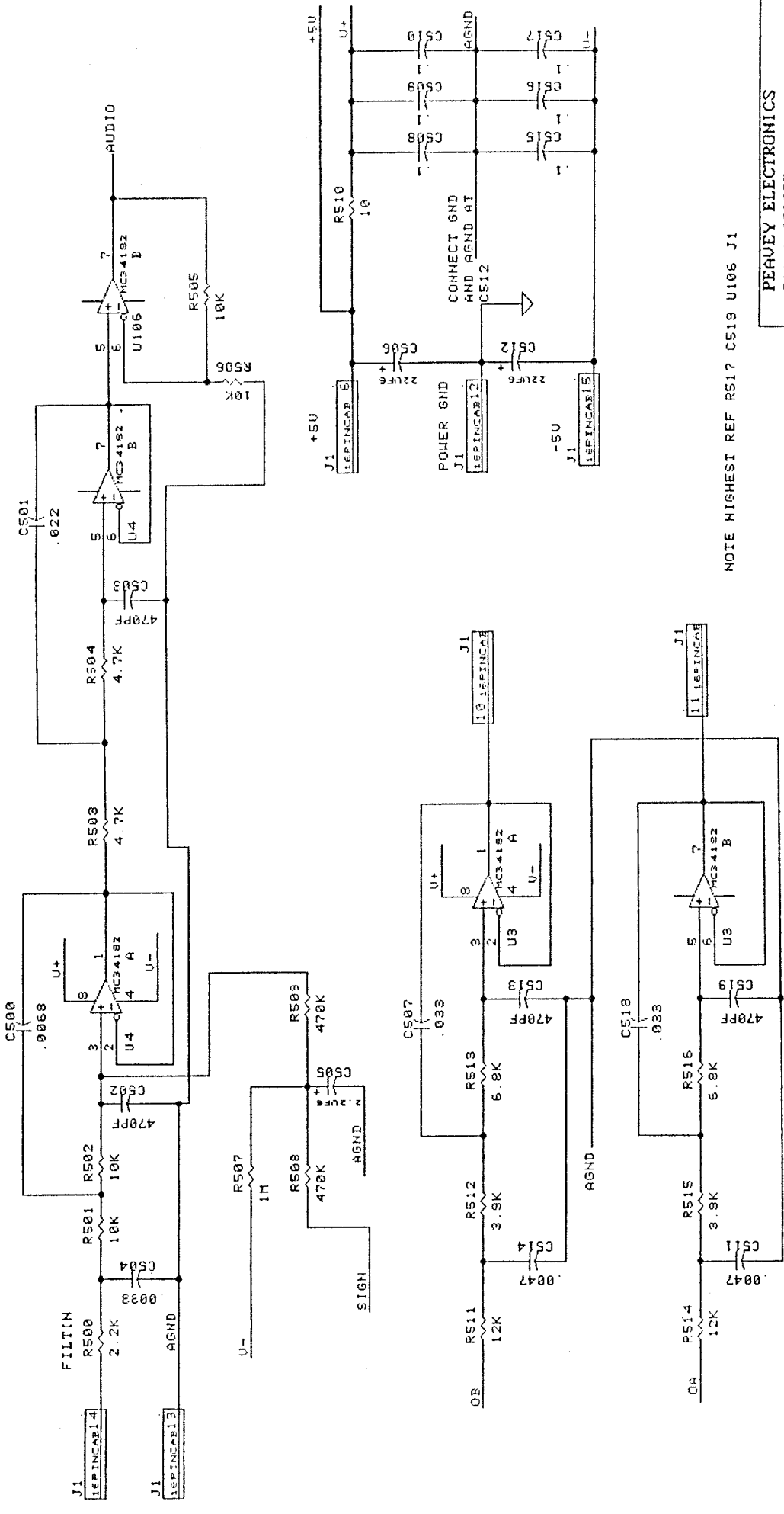
NOTE HIGHEST REF CR400 R404 C413 U124

PEAVEY ELECTRONICS
 711 A STREET
 MERIDIAN MISS. 39201

TITLE
 DAC FOR GUITAR REVERB

SIZE	CODE	NUMBER	REV
B		xxxxxxxxxxxx	A
DATE	7-DEC-87		SHEET 4 OF 5

CONFIDENTIAL



NOTE HIGHEST REF RS17 C519 U106 J1

PEAVEY ELECTRONICS 711 A STREET MERIDIAN MISS. 39301	
TITLE INPUT FILTER 12K GUITAR REVERB	
SIZE B	CODE XXXXXXXXXXXX
NUMBER	REU A
DATE 7-DEC-87	SHEET 5 OF 5

RS17 IS TO BE DESIGNED IN BUT NOT PLACED ON BOARD AT THIS TIME

