

LAST REF USED: R154 C128 CR111 J103 S101 U105 VR103 Q104 P100

FROM PAGE 2

EFFECTS LOOP

NOTE: REMOVE JUMPER P1 FOR TNT 115.

"COMPANY PROPRIETARY INFORMATION"

PEAVEY ELECTRONICS CORP.
711 A STREET
MERIDIAN, MISSISSIPPI 39301

TITLE: TKO 2K PREAMP

SIZE CODE B

PRINT DATE: 8-NOV-2000

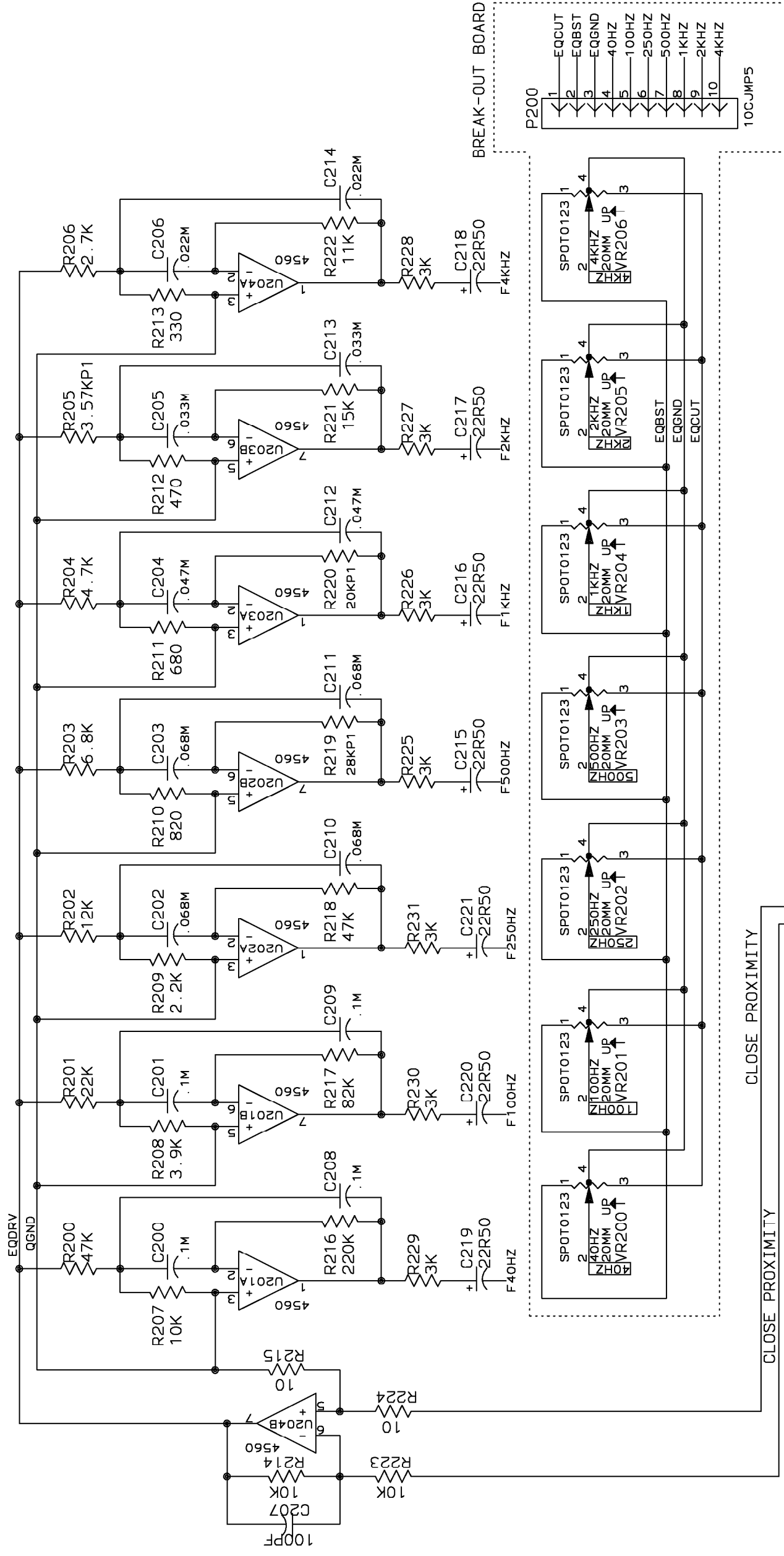
SHEET 1 OF 6

DDT_ENABLE/DEFEAT

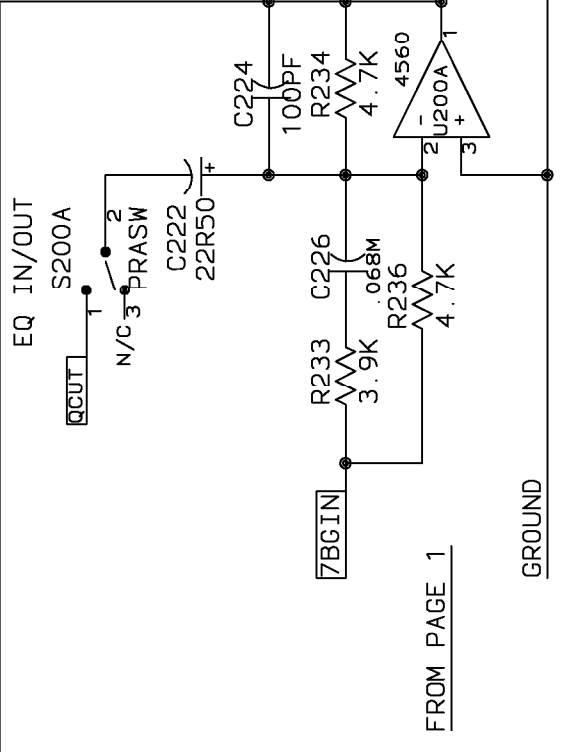
COPYRIGHT 2000 PEAVEY ELECTRONICS CORP. PRINTED IN U.S.A.

REV A

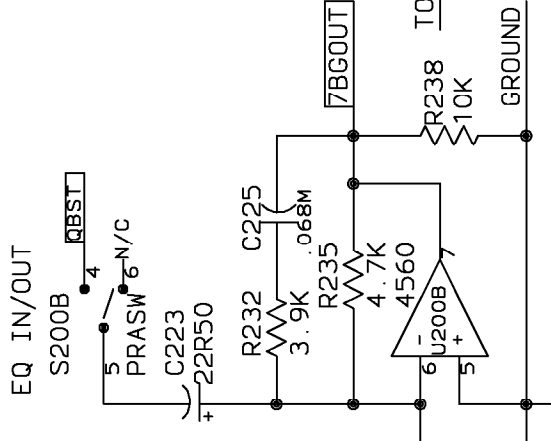
99097182



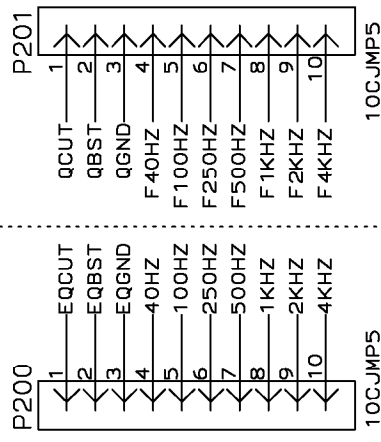
CLOSE PROXIMITY



FROM PAGE 1



TO PAGE 1

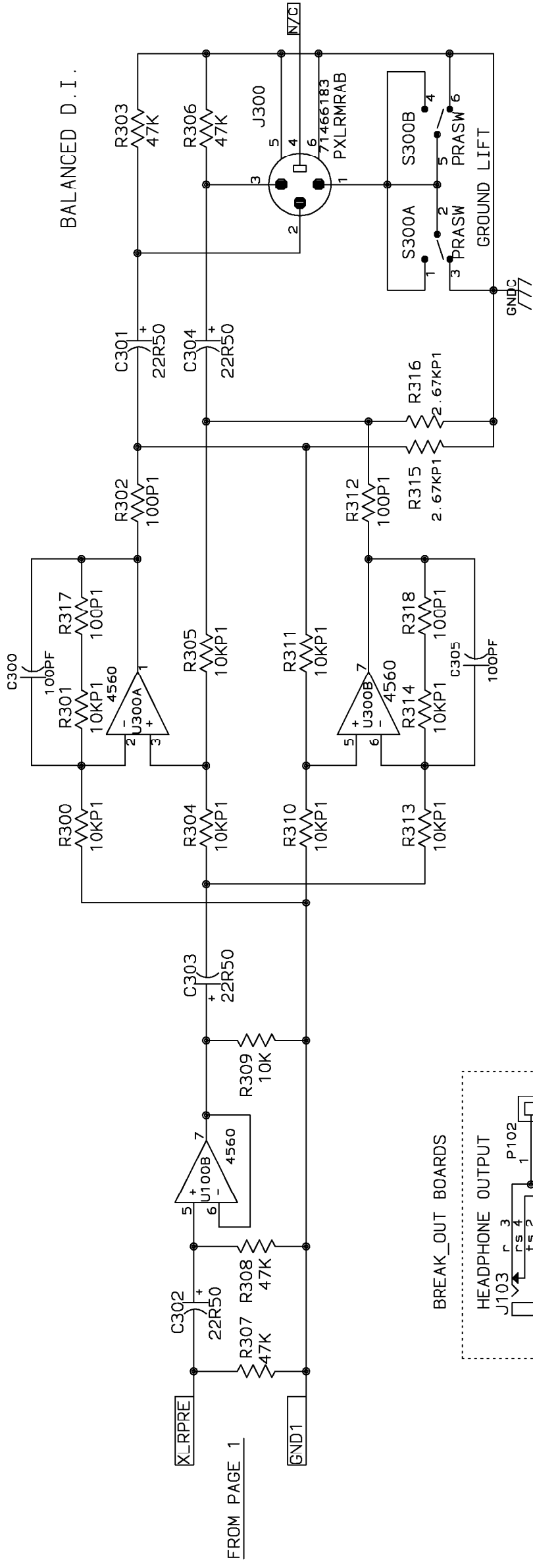


BREAK-OUT BOARD

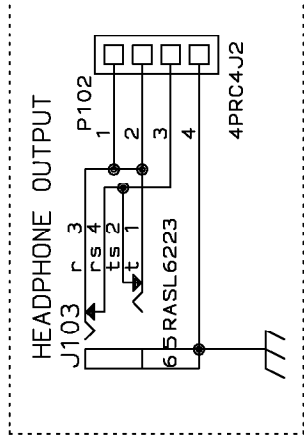
"COMPANY PROPRIETARY INFORMATION"
 PEAVEY ELECTRONICS CORP.
 711 A STREET
 MERIDIAN, MISSISSIPPI 39301
 TITLE: TKO Graphic Equalizer

SIZE CODE B
 PRINT DATE: 8-NOV-2000
 99097182
 REV A

D D D D D D D D



BREAK_OUT BOARDS



B B B B B B B B

"COMPANY PROPRIETARY INFORMATION"

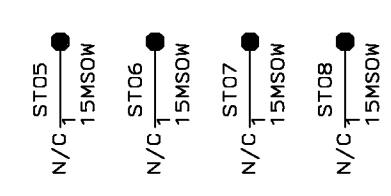
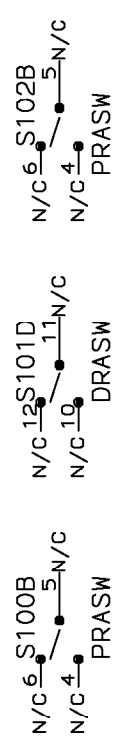
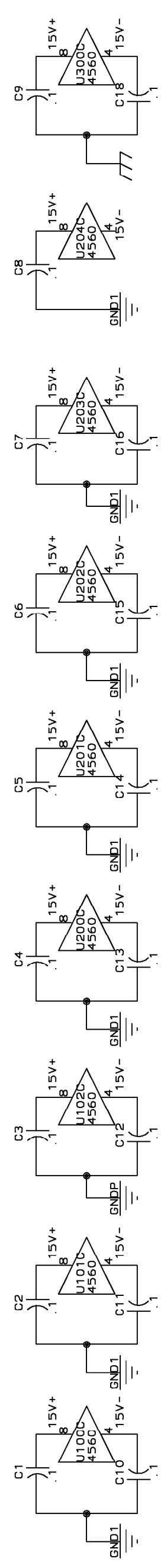
PEAVEY ELECTRONICS CORP.
711 A STREET
MERIDIAN, MISSISSIPPI 39301

TITLE: TKO 2000 PREAMP DIRECT OUT

SIZE	CODE	REV
B		A
PRINT		
DATE: 8-NOV-2000	SHEET 3 OF 6	

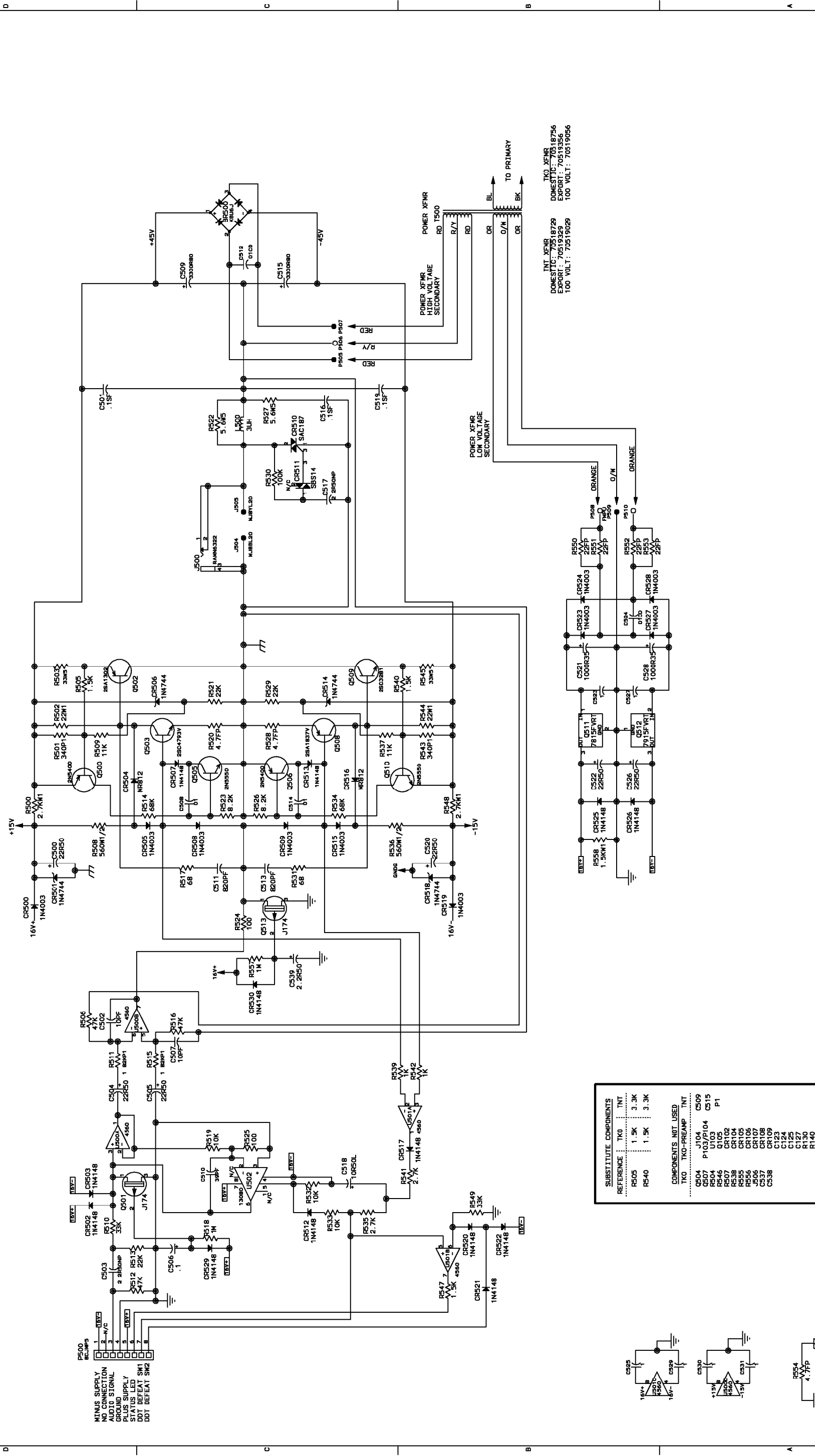
8 7 6 5 4 3 2 1

NOTE HIGHEST REF: U402 C22 TB1 HS3



"COMPANY PROPRIETARY INFORMATION"

PEAVEY ELECTRONICS CORP. 711 A STREET MERIDIAN, MISSISSIPPI 39301	
TITLE: TNT/TKO DECOUPLING CAPS	REV A
SIZE B	CODE 99097182
PRINT	DATE: 2-MAY-2000
SHEET 4 OF 6	

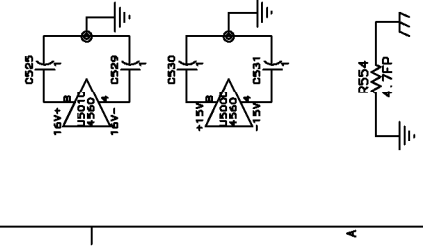


PS00
 1
 2
 3
 4
 5
 6
 7
 8
 9
 10
 11
 12
 13
 14
 15
 16
 17
 18
 19
 20
 21
 22
 23
 24
 25
 26
 27
 28
 29
 30
 31
 32
 33
 34
 35
 36
 37
 38
 39
 40
 41
 42
 43
 44
 45
 46
 47
 48
 49
 50
 51
 52
 53
 54
 55
 56
 57
 58
 59
 60
 61
 62
 63
 64
 65
 66
 67
 68
 69
 70
 71
 72
 73
 74
 75
 76
 77
 78
 79
 80
 81
 82
 83
 84
 85
 86
 87
 88
 89
 90
 91
 92
 93
 94
 95
 96
 97
 98
 99
 100

MINUS SUPPLY
 NO CONNECTION
 AUDIO SIGNAL
 GROUND
 PLUS SUPPLY
 STATUS LED SW1
 DOT REPEAT SW2

SUBSTITUTE COMPONENTS	
REFERENCE	TKO INT.
R505	1.5K 3.3K
R540	1.5K 3.3K

COMPONENTS NOT USED		
TKO	TKO-PREAMP	INT
Q504	J104	C509
Q507	P103/P104	C515
Q509	U103	P1
Q510	C5102	
Q511	C5104	
Q512	CR105	
Q513	CR106	
Q514	CR107	
Q515	CR108	
Q516	CR109	
Q517	C124	
Q518	C125	
Q519	C127	
Q520	R130	
Q521	R140	
Q522	R142	
Q523	R144	
Q524	R146	
Q525	R147	
Q526	R148	



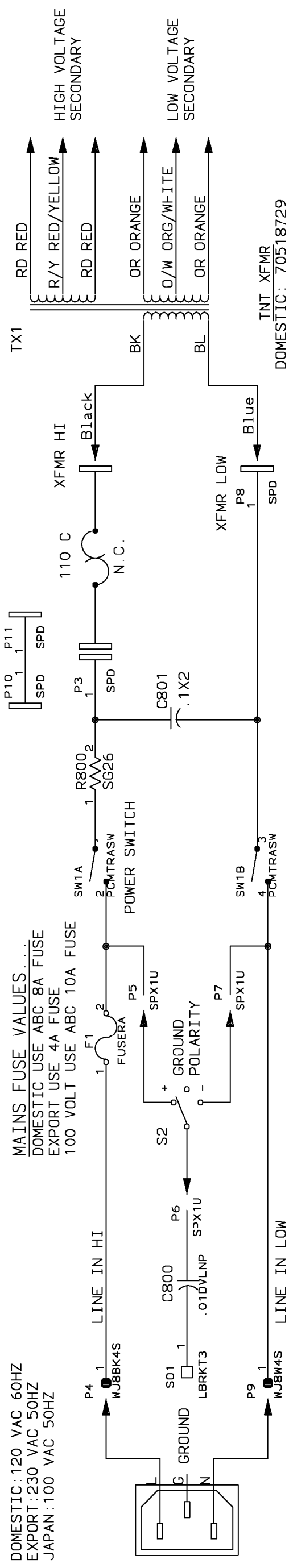
BRK1 N/C BRK3
 BRK2 N/C BRK4

INT XFMR
 DOMESTIC: 70518729
 EXPORT: 70519369
 100 VOLT: 70519029

TKO XFMR
 DOMESTIC: 70518756
 EXPORT: 70519356
 100 VOLT: 70519056

COMPANY PROPRIETARY INFORMATION
 PEAVEY ELECTRONICS CORP.
 711 STREET
 MERIDIAN, MISSISSIPPI 39301
 TITLE: TKO 2000 POWER AMP
 SIZE CODE 99097182
 REV A
 PRINT DATE: 8-NOV-2000 SHEET 5 OF 6

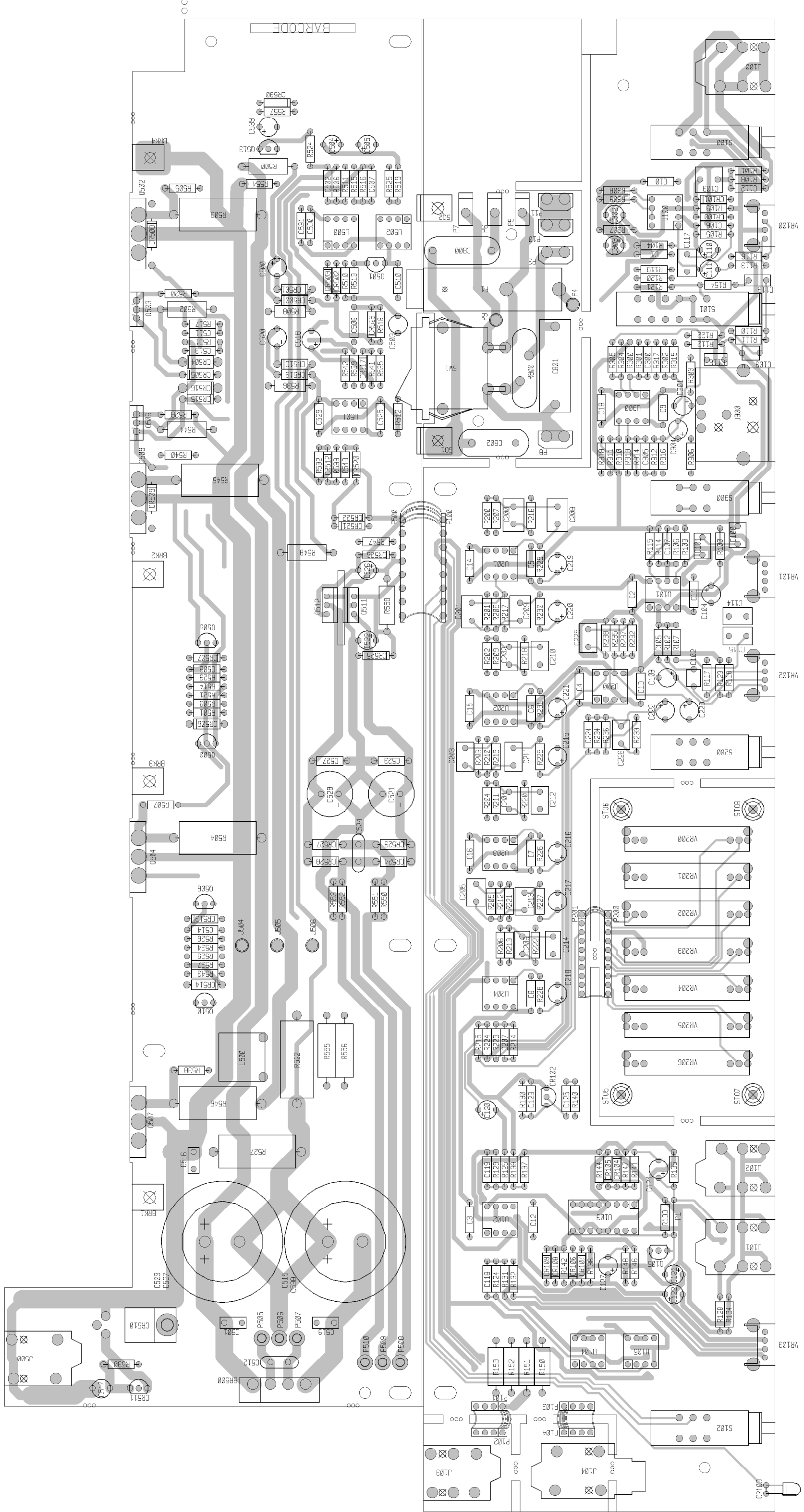
D C B A



DOMESTIC: USE C800
EXPORT: USE C803

"COMPANY PROPRIETARY INFORMATION"

PEAVEY ELECTRONICS CORP. 711 A STREET MERIDIAN, MISSISSIPPI 39301	
TITLE:	TKO Primary
SIZE	CODE
B	99097182
PRINT	REV
DATE: 8-NOV-2000	B
	SHEET 6 OF 6



TNT/TKO PWRAMP/PREAMP

BILL OF MATERIALS REPORT

C200, C201, C208, C209

BOARD NAME: TNT2K REPORT DATE: 13NOV00
 ASSEMBLY LEVEL NUMBER: 99097180/18DESIGNER: GARY GOODIN/ELBERT
 COLEMAN-UPDATE
 PROJECT NUMBER: P9800145

 ** QTY. NAME VALUE NUMBER DEVICE DESIGNATIONS *****

2 10PF 10PF 70340050 10PF-----5%-----T/C---T&R
 R300, R301, R304, R305, R310, R311,
 R313, R314
 C502, C507
 1 10R50L 10R50L 70320185 10MF-----20%----50VDC---LL--T&A
 C518
 3 11K 11K 70240069 11K---1/4W--5%---CF--T&R
 R222, R509, R537
 1 12K 12K 70240057 12K---1/4W--5%---CF--T&R
 R202
 1 13080 13080 70413080 LM3080N CUSTOM SELECTED
 U502
 2 15K 15K 70240027 15K---1/4W--5%---CF--T&R
 R107, R221
 4 15MSOW 70901837 70901837 SPACER, 15mm-r(#4), 187 swage alum.
 STO5, STO6, STO7, STO8
 1 180PF 180PF 70340056 180PF-----10%-----50VDC---T/C---T&R
 C105
 2 1K 1K 70240017 1K---1/4W--5%---CF--T&R
 R539, R542
 3 1M 1M 70240039 1M---1/4W--5%---CF--T&R
 R130, R518, R557
 10 1N4003 1N4003 70464003 1N4003 200V SILICON DIODE
 CR500, CR505, CR508, CR509, CR515,
 CR519, CR523, CR524, CR527, CR528
 21 1N4148 4148 70464148 1N4148 75V 10MA SILICON DIODE
 CR100, CR101, CR104, CR105, CR106,
 CR107, CR108, CR109, CR502, CR503,
 CR507, CR512, CR513, CR517, CR520,
 CR521, CR522, CR525, CR526, CR529, CR530
 4 1N4744 4744 70440102 SZG40102 15V 5% ZENER DIODE
 CR501, CR506, CR514, CR518
 2 2.2K 2.2K 70240020 2.2K--1/4W--5%---CF--T&R
 R154, R209
 1 2.2R50 2.2R50 70320180 2.2MF-----20%----50VDC---EL--T&A

4 .1SF .1SF 70330113 0.10 MFD 10% 100V STCK FILM T&A
 C113, C501, C516, C519
 1 .1X2 70320298 70320298 .1MF 250VAC X2 20%
 C801
 4 .33W5 .33W5 70250003 .33--5W--10%---WW--AXL
 R503, R504, R545, R546
 1 .82M .82M 70330122 .82mf 5% 50vdc my T&A
 C103
 1 1.5K 1.5K 70240018 1.5K--1/4W--5%---CF--T&R
 R547
 1 1.5KW1 1.5KW1 70210007 1.5K--1W---5%---MO--T&R
 R558
 2 1.82KPI 1.82KPI 70241078 1.82K-1/4W--1%---CF--T&R
 R511, R515
 5 10 10 70240003 10---1/4W--5%---CF--T&R
 R138, R140, R146, R215, R224
 3 100 100 70240010 100---1/4W--5%---CF--T&R
 R128, R524, R525
 2 1000R35 1000R35 70320186 1000MF-----20%----35VDC--EL--T&A
 C521, C528
 7 100K 100K 70240034 100K--1/4W--5%---CF--T&R
 R121, R122, R133, R135, R147, R148, R530
 4 100P1 100P1 70241075 100---1/4W--1%---MF--AXL
 R302, R312, R317, R318
 5 100PF 100PF 70340054 100PF-----10%-----50VDC---T/C---T&R
 C106, C207, C224, C300, C305
 2 10CIMP5 70600132 70600132 10 C P-TIN .100 5" IMPR
 P200, P201
 16 10K 10K 70240025 10K--1/4W--5%---CF--T&R
 R104, R110, R111, R115, R123, R125,
 R134, R136, R207, R214, R223, R238,
 R309, R519, R532, R533
 1 10KBRA 71190900 71190900 10KB--12MM--R/A D-SHAFT
 VR100
 8 10KPI 10KPI 70241050 10K--1/4W--1%---MF--T&R

1 72100621 72100621 TNT/TKO PCB
 C116
 1 .0047M .0047M 70330116 .0047 MFD 50VDC 5% MY T&A
 C102, C109
 2 .0068M .0068M 70330117 .0068mf---5%---50vdc---my---t&a
 C508, C514
 2 .01 .01 70340011 .01MF-----10%-----50VDC---T/C---T&R
 C512, C524
 2 .01CD .01CD 70320248 .01MF-----20%----1000VDC---CD--T&A
 C800
 1 .01DVLNP .01DVLNP 70320104 .01 MFD 125VDC DVL MYLAR +0-20%
 C206, C214
 2 .022M .022M 70330134 .022M 5% 50vdc my T&A
 C117, C205, C213
 3 .033M .033M 70330115 .033 MFD 50VDC 5% MY T&A
 C204, C212
 2 .047M .047M 70330136 .047M 5% 50vdc my T&A
 C114, C115, C202, C203, C210, C211,
 C225, C226
 8 .068M .068M 70330124 .068M 5% 50vdc my T&A
 C1, C2, C3, C4, C5, C6, C7, C8, C9, C10,
 C11, C12, C13, C14, C15, C16, C18, C123,
 C125, C506, C523, C525, C527, C529,
 C530, C531
 26 .1 .1 70340100 .1MF-----+80-20%--50VDC---AXL---T&R
 2 .12M .12M 70330133 .12M 5% 50vdc my T&A
 C100, C101
 4 .1M .1M 70330129 .1M 5% 50vdc my T&A

13	4560	4560	70414560	4560	DUAL OP AMP IC
2	2SC3281	2SC3281	70468200	200V PLASTIC NPN POWER TRANSISTOR	Q508
1	2SC4793V	2SC4793V	70404793	NPN TRAN TO-220 230V 1A VERT	Q507, Q509
7	3.3K	3.3K	70240022	3.3K--1/4W--5%---CF--T&R	Q503
1	3.57KPI	3.57KPI	R119, R142, R144, R505, R507, R538, R540	3.57K 1% 1/4W MF T&R	R119, R142, R144, R505, R507, R538, R540
3	3.9K	3.9K	70241093	3.9K--1/4W--5%---CF--AXL	R205
1	30.1KPI	30.1KPI	70241031	30.1K-1/4W-1%---MF--T&R	R208, R232, R233
1	33	33	70240004	33-----1/4W--5%---CF--T&R	R108
1	330	330	70240014	330---1/4W--5%---CF--T&R	R137
2	3300R80	3300R80	70320132	3300MF - 20% - 80VDC - EL - R/S	R213
4	33K	33K	70240030	33K---1/4W--5%---CF--T&R	C509, C515
2	340P1	340P1	70241011	340---1/4W--1%---MF--T&R	R114, R129, R510, R549
3	39K	39K	70240048	39K---1/4W--5%---CF--T&R	R501, R543
3	39PF	39PF	70340052	39PF-----50VDC---T/C---T&R	R100, R103, R106
7	3K	3K	70240071	3K---1/4W--5%---CF--T&R	C112, C118, C510
1	3UH	3UH	70519939	3 UHY INDUCTOR	R225, R226, R227, R228, R229, R230, R231
3	4.7FP	4.7FP	70240094	4.7FP-1/4W--10%---FP--T&R	L500
5	4.7K	4.7K	70240023	4.7K--1/4W--5%---CF--T&R	R520, R528, R554
1	2.2R50NP	2.2R50NP	70320184	2.2MF-----20%---50VDC---NP--T&A	C539
2	2.67KPI	2.67KPI	70241018	2.67K-1/4W--1%---MF--T&R	C503, C517
4	2.7K	2.7K	70240021	2.7K--1/4W--5%---CF--T&R	R315, R316
2	2.7KW1	2.7KW1	70210016	2.7K--1W---5%---MO--T&R	R113, R206, R535, R541
1	20KPI	20KPI	70241040	20K---1/4W--1%---MF--T&R	R500, R548
1	220K	220K	70240036	220K--1/4W--5%---CF--T&R	R220
4	22FP	22FP	70240100	22FP--1/4W--5%---FP-----	R216
8	22K	22K	70240029	22K---1/4W--5%---CF--T&R	R550, R551, R552, R553
28	22R50	22R50	70320181	22MF-----20%---50VDC---EL--T&A	R105, R112, R131, R132, R201, R513, R521, R529
1	270PF	270PF	70340057	270PF-----10%---50VDC---T/C---T&R	C104, C108, C110, C111, C120, C121, C122, C124, C127, C215, C216, C217, C218, C219, C220, C221, C222, C223, C301, C302, C303, C304, C500, C504, C505, C520, C522, C526
1	28KPI	28KPI	70241025	28K---1/4W--1%---MF--T&R	R502, R544
2	2N5400	5400	761/2N5400	120V 10MA TO-92 PNP T&A	C107
2	2N5550	5550	70465550	2N5550 TO-92 NPN TRANS T&A	R219
2	2SA1302	2SA1302	70458200	200V PLASTIC PNP POWER TRNASTOR	Q500, Q506
1	2SA1837V	2SA1837V	70401837	PNP TRAN TO-220 230V 1A VERT	Q502, Q504
1	4700PFY	4700PFY	70320125	4700PF, 400VAC EXP LINE CAP Y	R116, R141, R212
2	4700R50	4700R50	70320260	4700MF-----20%---50VDC--EL--f/s	C802
1	470K	470K	70240038	470K--1/4W--5%---CF--T&R	C537, C538
10	47K	47K	70240031	47K---1/4W--5%---CF--T&R	R109
1	47PF	47PF	70340067	47PF-----10%---50VDC---T/C---T&R	R124, R200, R218, R303, R306, R307, R308, R506, R512, R516
4	47W1	47W1	70210011	47----1W---5%---MO--T&R	C119
4	4PRC4J2	4PRC4J2	70600034	4C PRE-TIN .100 CTR 4" JUMPER (SPLIT VERSION)	R150, R151, R152, R153
1	5.62KPI	5.62KPI	70241008	5.62K-1/4W--1%---MF--T&R	P101, P102, P103, P104
2	5.6W5	5.6W5	70250026	5.6--5W--10%---WW--AXL	R102
1	50KBRA	50KBRA	71190904	50KB--12MM--R/A D-SHAFT	R522, R527
2	50KERAD	50KERAD	71190905	50KB W/DTT--12MM--R/A D-SHAFT	VR103
2	560W1/2	560W1/2	70230044	560----1/2W---5%---FP---T&R	VR101, VR102
2	56W2	56W2	70250161	56---2W---5%---MO---T&R	R508, R536
1	6.8K	6.8K	70240024	6.8K--1/4W--5%---CF--T&R	R555, R556
					R203

1	66.5KP1	66.5K	1% 1/4W MF T&R	P1	70400605	6A, 600V, INLINE DIODE BRIDGE RECTIFIER	P3, P8, P10, P11
2	68	70240009	68----1/4W--5%----CF--T&R	BR500	71500238	#74 L-BRACKET W/4-40 HOLE	7 SPOT0123 71190123 71190123 50KW 20MM SLIDER W/DDT & TAP
1	680	70240016	680---1/4W--5%----CF--T&R	BRK1, BRK2, BRK3, SO2	71500238	#74 L-BRACKET W/.125 DIA. HOLE	VR200, VR201, VR202, VR203, VR204, VR205, VR206 3 SPXIU SPXIU 737170C3 1 STAKE PIN
1	680K	70240065	680K----1/4W--5%----CF--T&R	BRK4, SO1	70460097	MAC97-6 400V .6A TO-92 TRIAC T&A	P5, P6, P7
2	68K	70240032	68K---1/4W--5%----CF--T&R	CR102	73711812	R93-12 PN C.B. MALE MOLEX PIN	P4
1	7815FVRT	7815FVER	70400318 7815 15V 1A POS TO-220 RG VERT MNT INS	P505, P507, P509	70404933	MR812 FAST RECOVERY DIODE	J504
1	7915FVRT	7915FVER	70400319 7915 15V 1A NEG TO 220 RG VERT MNT INS	CR504, CR516	71322377	PC MOUNT PIGHT ANGLE POWER SWITCH	P9
4	8.2K	70240049	8.2K--1/4W--5%----CF--T&R	SW1	71322289	DPDT P/P CB MNT SWITCH	J505
1	820	70240019	820---1/4W--5%----CF--T&R	R117, R118, R523, R526	S100, S102, S200, S300		***** * END OF BILL OF MATERIALS REPORT * *****
2	820PF	70340062	820PF-----10%----50VDC----T/C----T&R	R210	71466181	XLB CONN R/A MALE W/BRKT	
1	82K	70240033	82K---1/4W--5%----CF--T&R	C511, C513	71466222	jack mono r/a 1/4" 6.5mm	
2	8CJMP5	70600038	8C PRE-TTN .156-5" JUMPER	R217	71466322	JACK MONO R/A 1/4" 6.5MM NINS	
1	DG211	DG211	70420211 DG211 CJIC.	P100, P500	71466223	jack stereo r/a 1/4" 6.5mm	
1	DRASW	DRASW	71322256 PC MNT SWITCH DUAL	U103	71466323	JACK STEREO R/A 1/4" 6.5MM NINS	
3	FMPU	73711811	M118-171 C.B. FEMALE MOLEX PIN	J100, J101, J102	70460187	SAC187 200V TO220 TRIAC	
1	FUSERA	70901429	EXT. FUSEHOLDER, PC MT	CR510	70460014	SBS14 8V TO-92 BI-DIRECTIOAL SWITCH T&A	
3	J174	J174	70460174 J-174 30V TO-92 P-CHAN FET T&A	F1	70240210	5 OHM, 12 A INRUSH THERMISTOR	
1	JMP	JMP	70600005 22 GA. JUMPER WIRE T&R	R800	73716194	.250 PC MNT SPADE .093 PCB	