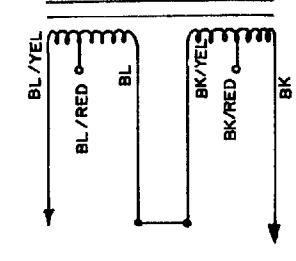
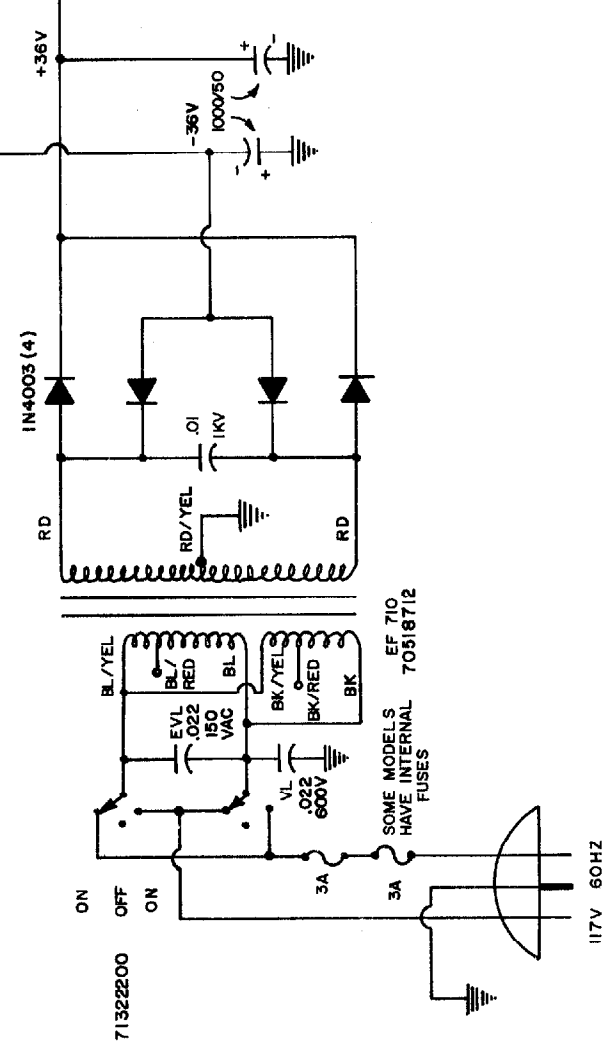
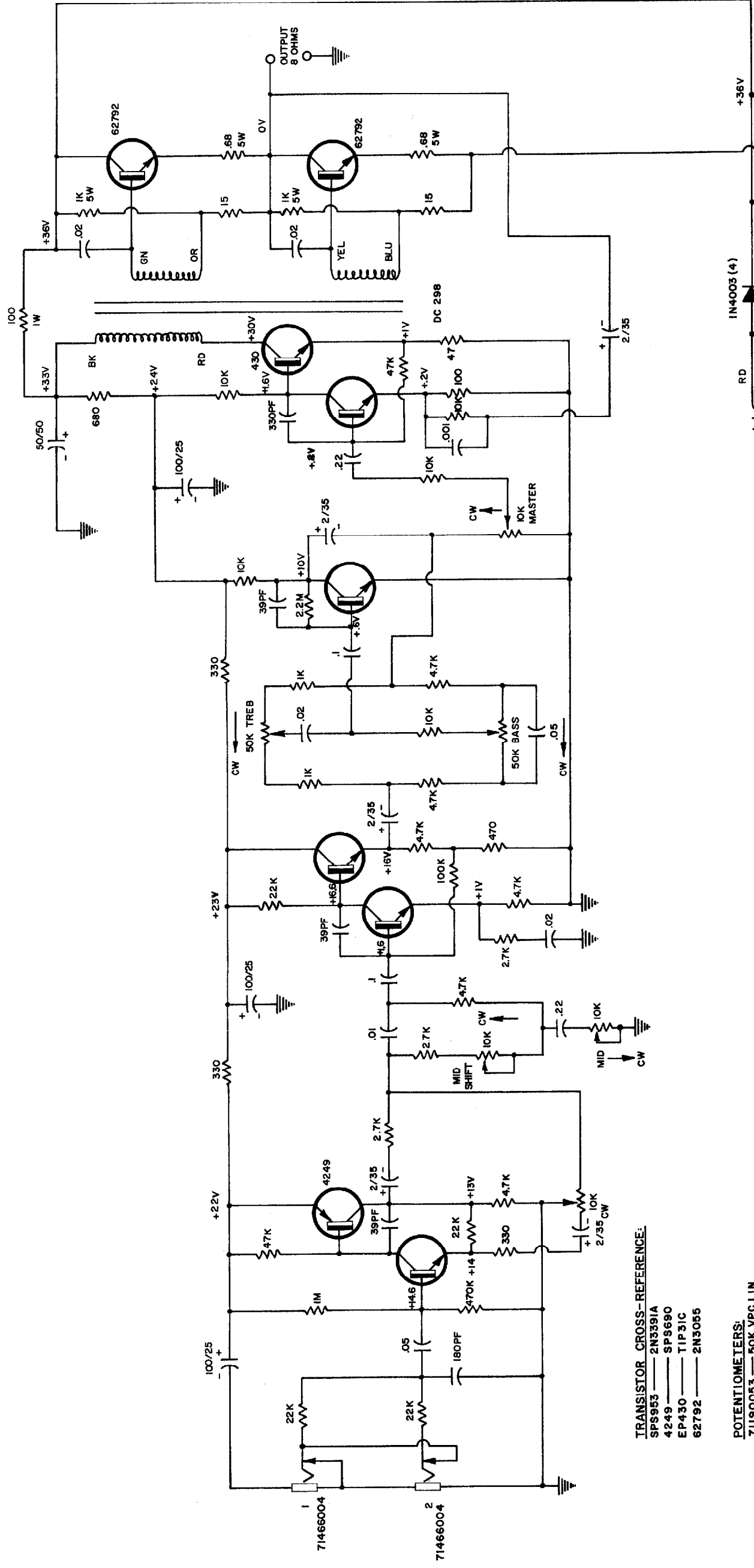
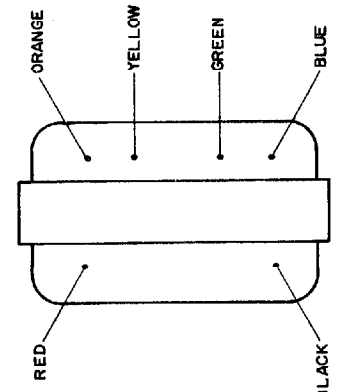


TNT



PRIMARY CONNECTIONS  
 FOR EXPORT MODELS  
 240V 50/60HZ



TRANSISTOR CROSS-REFERENCE:  
 SP5953 — 2N3391A  
 4249 — SP5690  
 EP430 — TIP31C  
 62792 — 2N3055

POTENTIOMETERS:  
 71190053 — 50K VPC LIN  
 71190054 — 10K VPC LIN

NOTE:  
 ALL TRANSISTORS SPS 953 UNLESS NOTED  
 ALL RESISTORS 1/2W UNLESS NOTED  
 ALL CAPACITORS IN MFD UNLESS NOTED  
 ALL DIODES 1A/200V PIV UNLESS NOTED