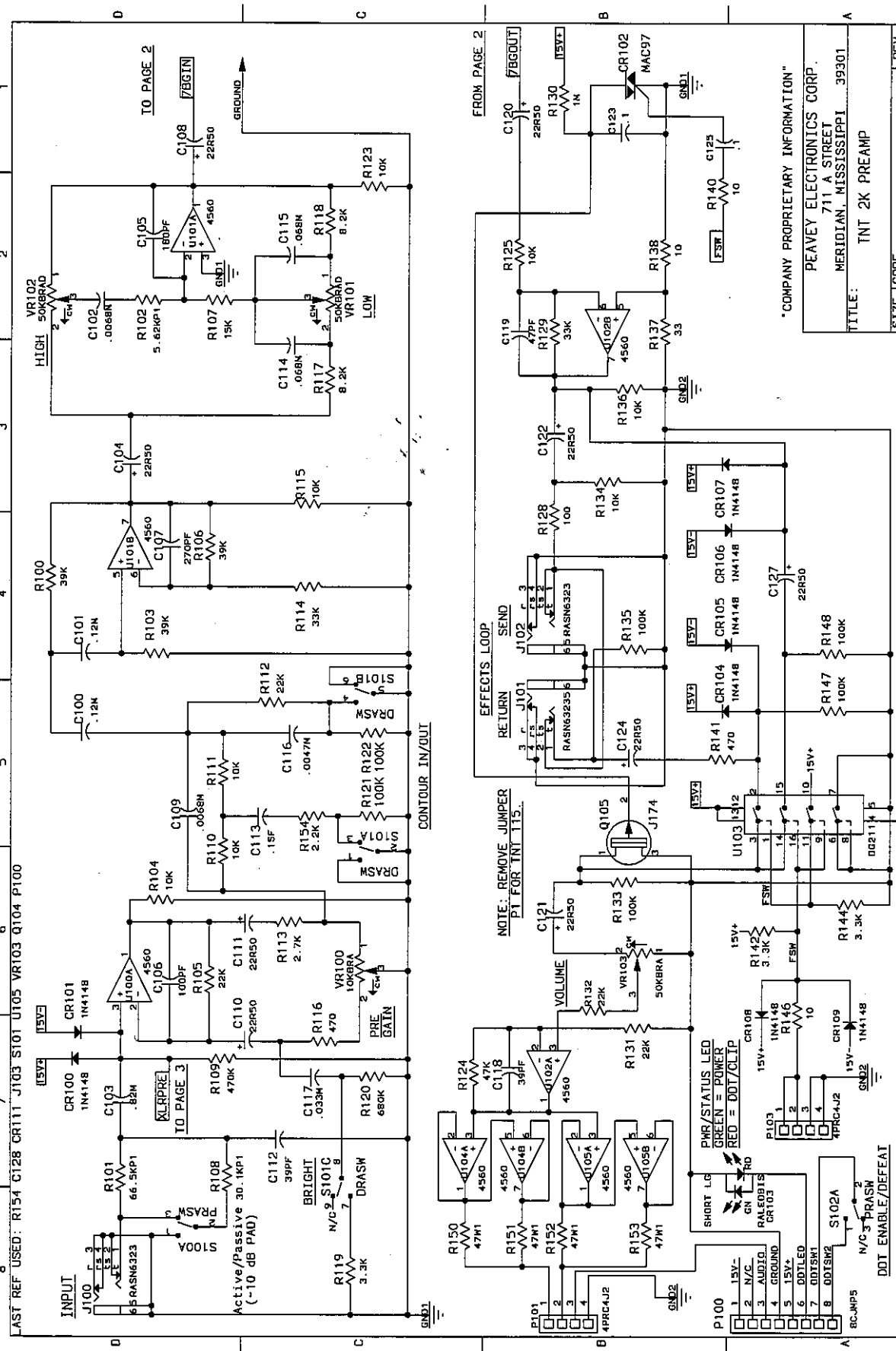


LAST REF USED: R154 C128 CR111 J103 S101 U105 VR103 Q104 P100



\*COMPANY PROPRIETARY INFORMATION\*

PEAVEY ELECTRONICS CORP.  
 711 A STREET  
 MERIDIAN, MISSISSIPPI 39301

TITLE: TNT 2K PREAMP

SIZE CODE 99097180

REV A

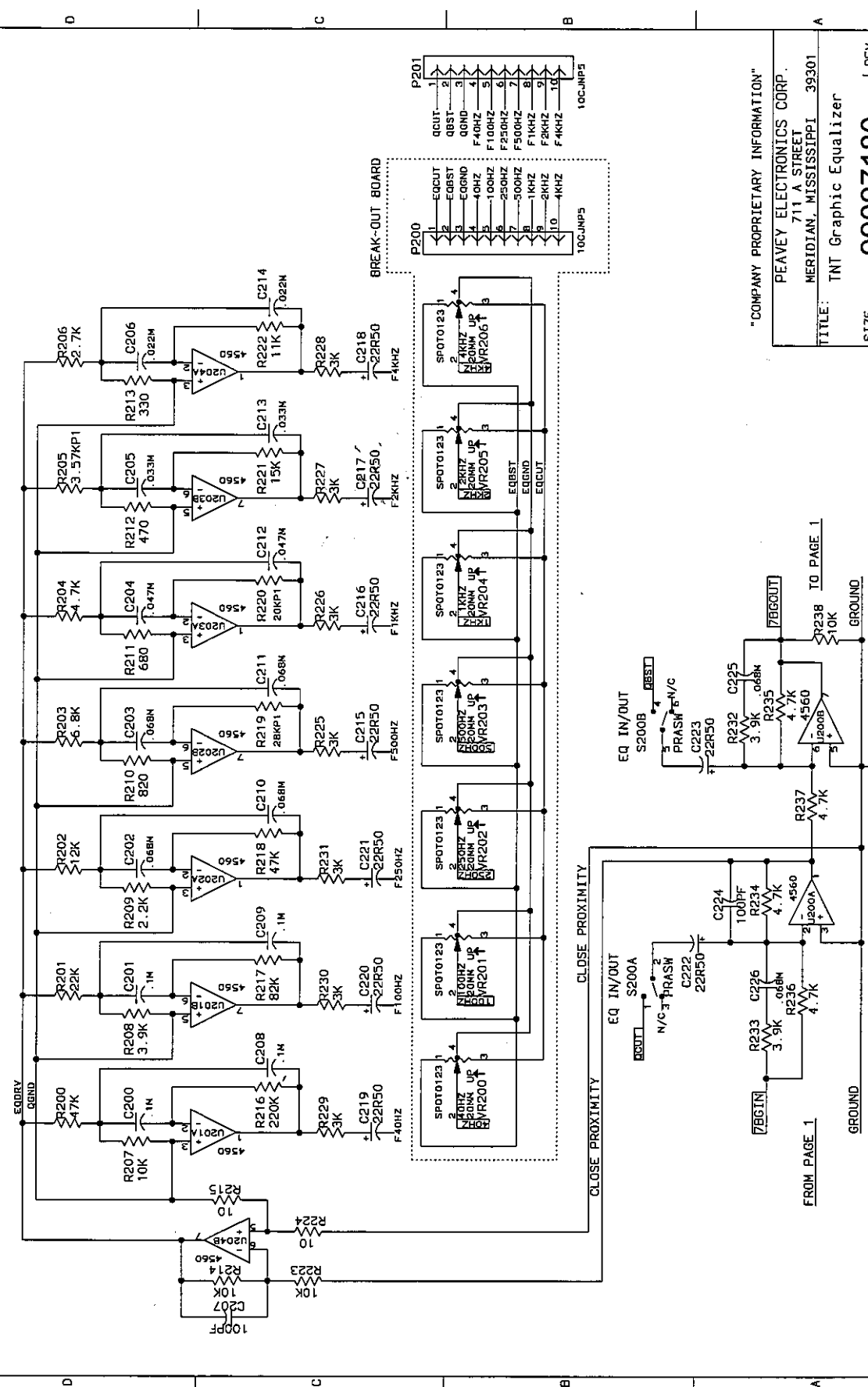
PRINT DATE: 2-NAY-2000

SHEET 1 OF 6

COPYRIGHT 2000 PEAVEY ELECTRONICS CORP. PRINTED IN U.S.A.

NOTE HIGHEST REF: R238 C226 U204 S200 VR206

8 7 6 5 4 3 2 1



"COMPANY PROPRIETARY INFORMATION"  
 PEAVEY ELECTRONICS CORP.  
 7111 A STREET  
 MERIDIAN, MISSISSIPPI 39301

TITLE: TNT Graphic Equalizer  
 SIZE: B  
 PRINT: 2-MAY-2000  
 DATE: 2  
 SHEET: 2 OF 6

REV: A

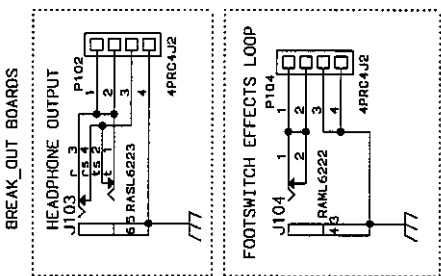
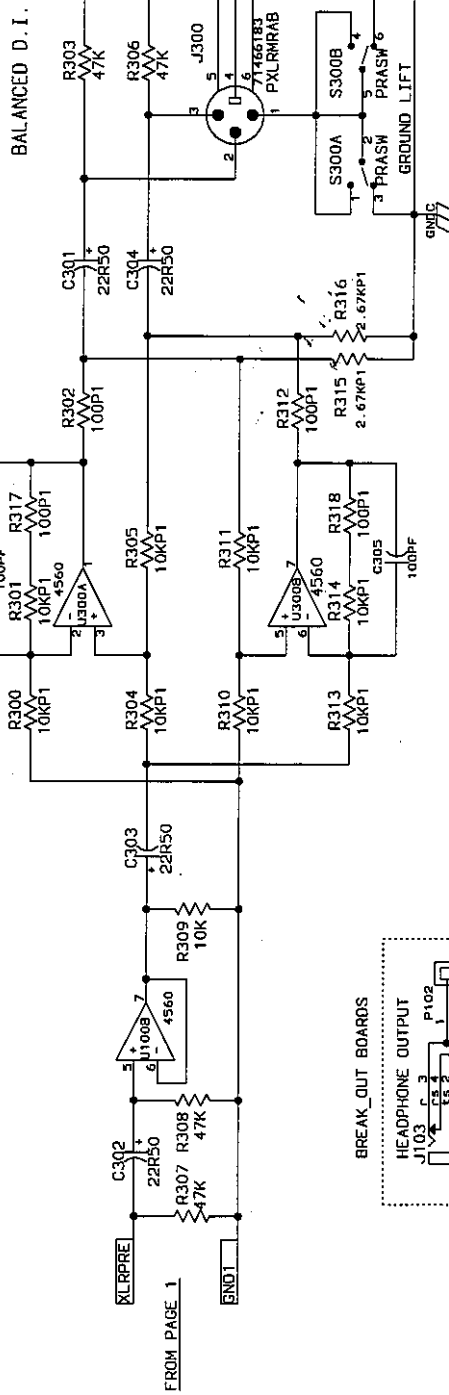
99097180

COPYRIGHT 2000 PEAVEY ELECTRONICS CORP. PRINTED IN U.S.A.

FROM PAGE 1

TO PAGE 1

NOTE HIGHEST REF: R316 C305 U300 J300 S300



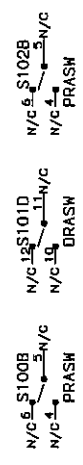
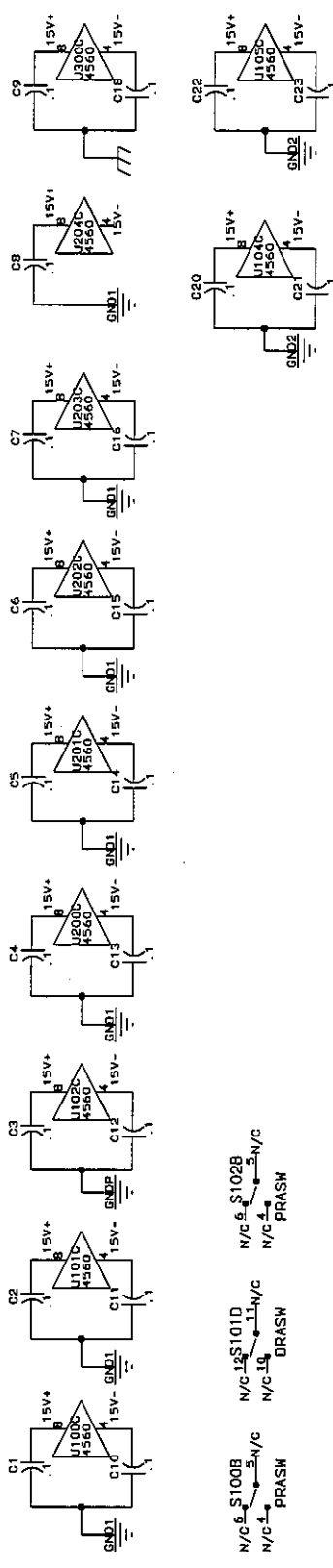
\*COMPANY PROPRIETARY INFORMATION\*

PEAVEY ELECTRONICS CORP.  
711 A STREET  
MERIDIAN, MISSISSIPPI 39301

TITLE: TNT 2000 PREAMP DIRECT OUT

SIZE	CODE	REV
B		A
PRINT		
DATE: 2-MAY-2000	99097180	SHEET 3 OF 6

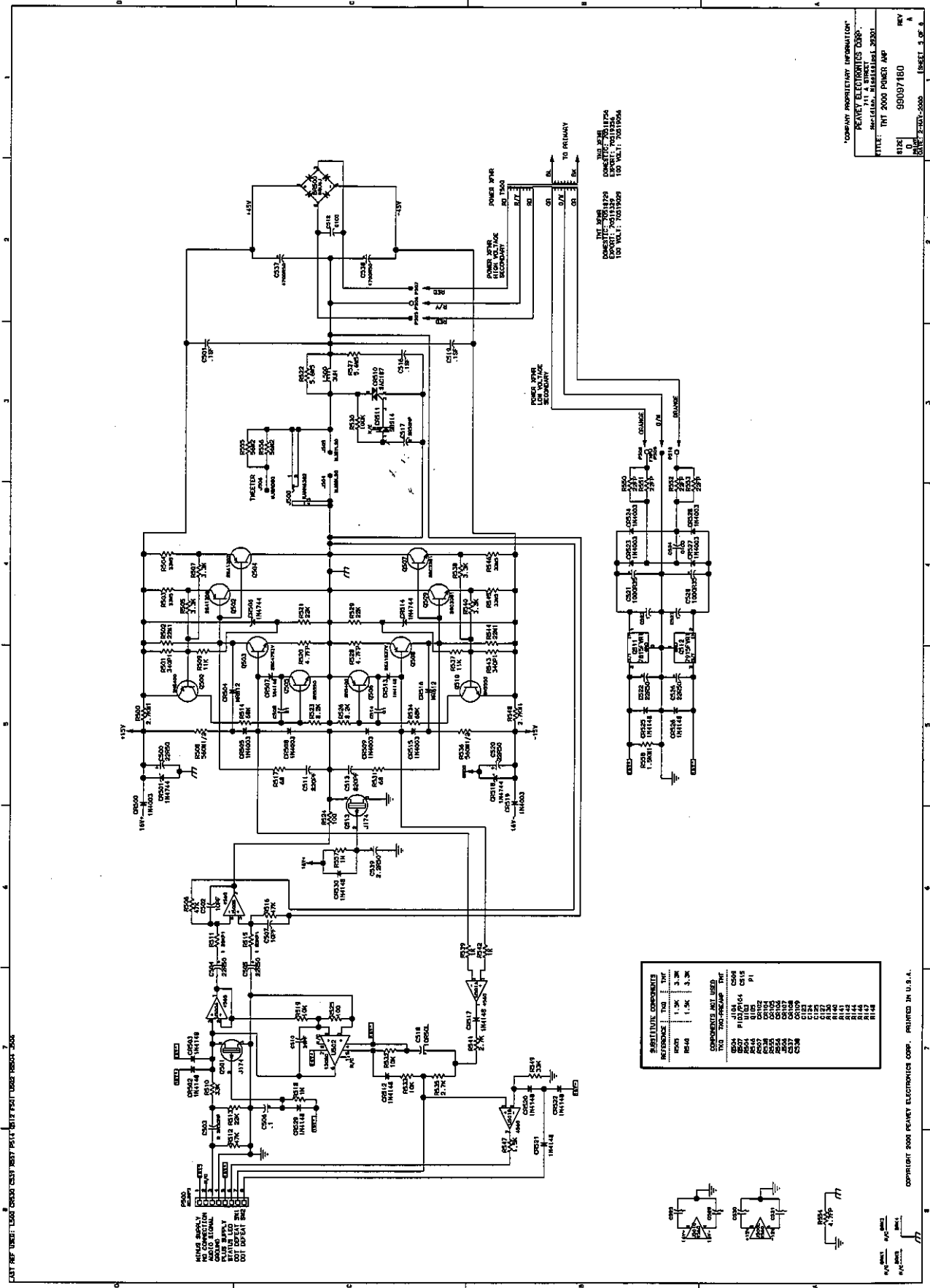
NOTE HIGHEST REF: U402 C22 TB1 HS3



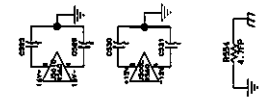
- N/C ST05 15NS0N
- N/C ST06 15NS0W
- N/C ST07 15NS0W
- N/C ST08 15NS0N

"COMPANY PROPRIETARY INFORMATION"  
 PEAVEY ELECTRONICS CORP.  
 711 A STREET  
 MERIDIAN, MISSISSIPPI 39301

SIZE	CODE	REV
B	99097180	A
PRINT		
DATE	2-MAY-2000	SHEET 4 OF 6



SUBSTITUTED COMPONENTS	
REFERENCE	TYP
R501	1.5K
R502	1.5K
R503	1.5K
R504	1.5K
COMPONENTS NOT USED	
T101	100-0-100
C501	1000µF
C502	1000µF
C503	1000µF
C504	1000µF
C505	1000µF
C506	1000µF
C507	1000µF
C508	1000µF
C509	1000µF
C510	1000µF
C511	1000µF
C512	1000µF
C513	1000µF
C514	1000µF
C515	1000µF
C516	1000µF
C517	1000µF
C518	1000µF
C519	1000µF
C520	1000µF
C521	1000µF
C522	1000µF
C523	1000µF
C524	1000µF
C525	1000µF
C526	1000µF
C527	1000µF
C528	1000µF
C529	1000µF
C530	1000µF
C531	1000µF
C532	1000µF
C533	1000µF
C534	1000µF
C535	1000µF
C536	1000µF
C537	1000µF
C538	1000µF

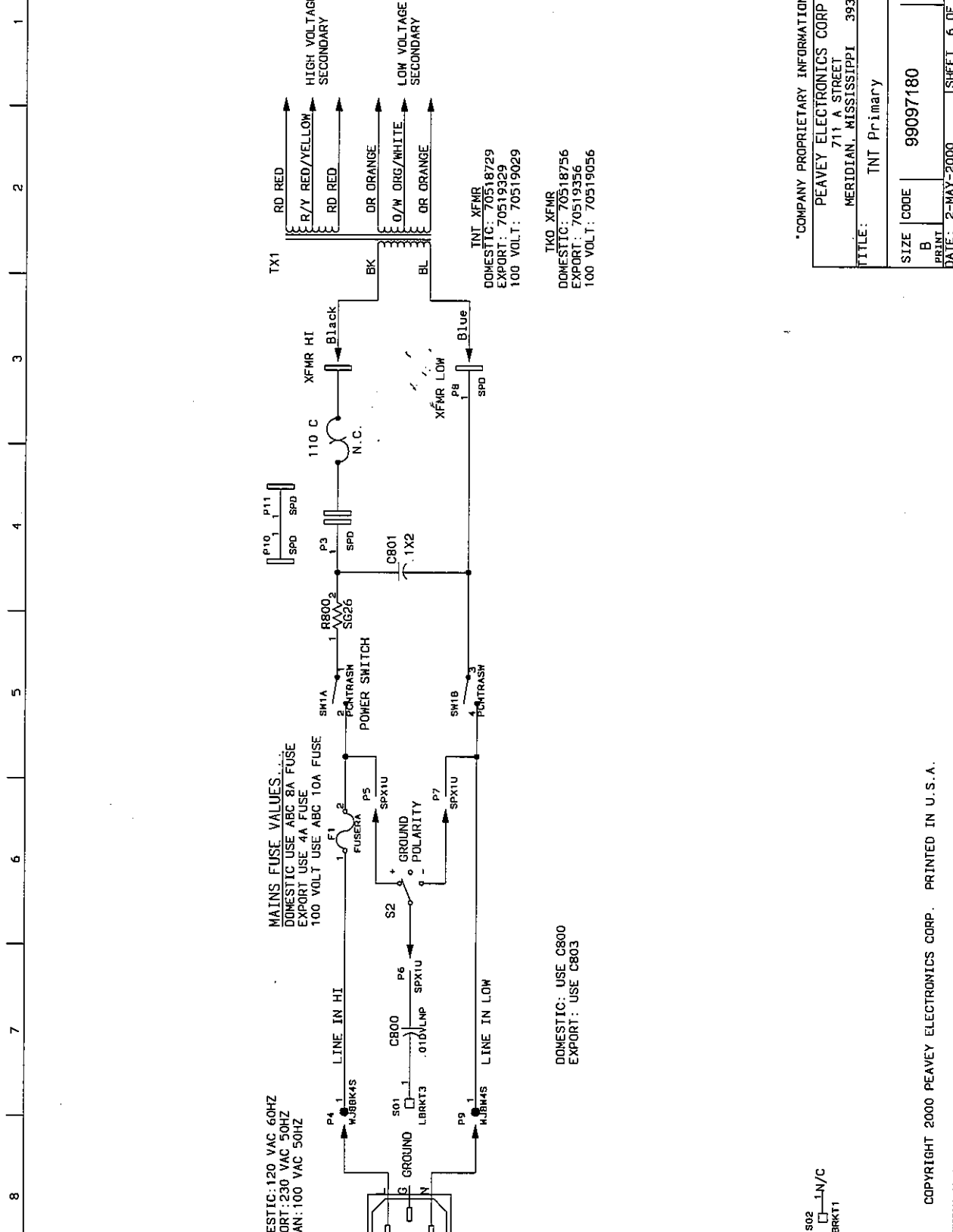


COMPANY PROPRIETARY INFORMATION  
 PEAVLEY ELECTRONICS CORP.  
 TITLE: THT 2000 POWER AMP  
 REV: 0  
 99007180  
 01/17/2000-2000 (SHEET 3 OF 3)

COPYRIGHT 2000 PEAVLEY ELECTRONICS CORP. PRINTED IN U.S.A.

8 7 6 5 4 3 2 1

D C B A



**MAINS FUSE VALUES.**  
 DOMESTIC USE ABC 8A FUSE  
 EXPORT USE 4A FUSE  
 100 VOLT USE ABC 10A FUSE

DOMESTIC: 120 VAC 60HZ  
 EXPORT: 230 VAC 50HZ  
 JAPAN: 100 VAC 50HZ

TNT XFMR  
 DOMESTIC: 70518729  
 EXPORT: 70519329  
 100 VOLT: 70519029

TKO XFMR  
 DOMESTIC: 70518756  
 EXPORT: 70519356  
 100 VOLT: 70519056

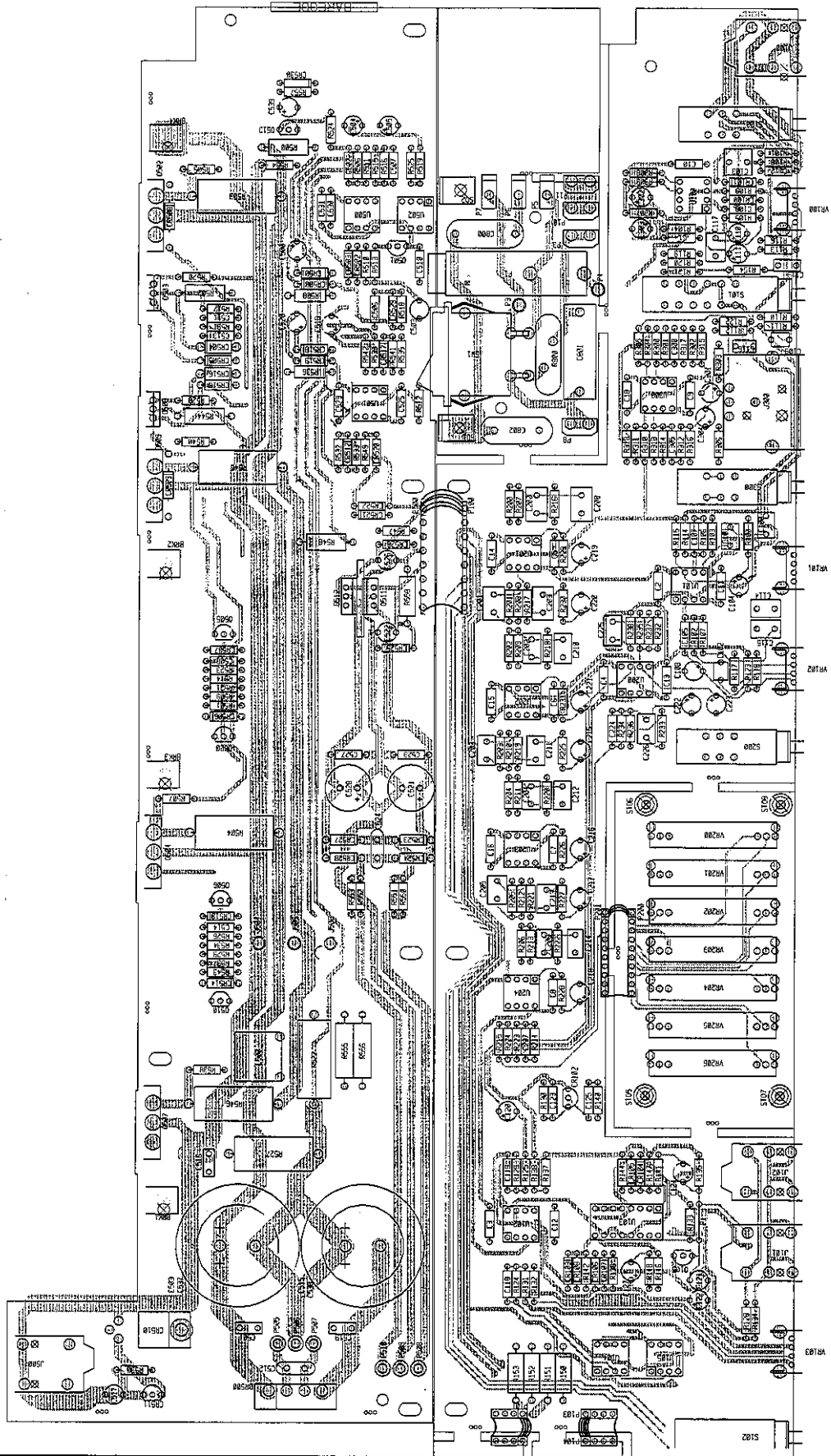
DOMESTIC: USE C800  
 EXPORT: USE C803

S02  
 □-IN/C  
 LBRKT1

\*COMPANY PROPRIETARY INFORMATION\*  
 PEAVEY ELECTRONICS CORP.  
 711 A STREET  
 MERIDIAN, MISSISSIPPI 39301  
 TITLE: TNT Primary

SIZE	CODE	REV
B	99097180	B
PRINT		
DATE:	2-MAY-2000	SHEET 6 OF 6

COPYRIGHT 2000 PEAVEY ELECTRONICS CORP. PRINTED IN U.S.A.



TNT/TKO PWRAMP/PREAMP

BILL OF MATERIALS REPORT

BOARD NAME: TMTK REPORT DATE: 13NOV00
ASSEMBLY LEVEL NUMBER: 9909718018 DESIGNER: GARY GOODINVELBEKT
COLEMAN-UPDATE
PROJECT NUMBER: P9800145

\*\*QTY,NAME VALUE NUMBER DEVICE DESIGNATIONS \*\*\*\*\*
PART DESCRIPTION AND \*\*\*\*\*

Table with columns: QTY, NAME, VALUE, NUMBER, DEVICE DESIGNATIONS. Contains multiple rows of component data including resistors, capacitors, diodes, and integrated circuits.

C200, C201, C208, C209

Table with columns: QTY, NAME, VALUE, NUMBER, DEVICE DESIGNATIONS. Contains component data for C200, C201, C208, C209.

R300, R301, R304, R305, R310, R311, R313, R314

Table with columns: QTY, NAME, VALUE, NUMBER, DEVICE DESIGNATIONS. Contains component data for R300, R301, R304, R305, R310, R311, R313, R314.



C539  
 2 2.2E50NP 2.2E50NP 70320184 2.2MF-----20%---50VDC--NP--T&A  
 C503, C517  
 2 2.67KP1 2.67KP1 70241018 2.67K-1/4W-1%---MF--T&R  
 R315, R316  
 4 2.7K 2.7K 70240021 2.7K-1/4W-5%---CF--T&R  
 R113, R206, R535, R541  
 2 2.7KW1 2.7KW1 70241016 2.7K-1W-5%---MO--T&R  
 R500, R548  
 1 20KP1 20KP1 70241040 20K-1/4W-1%---MF--T&R  
 R220  
 1 220K 220K 70240036 220K-1/4W-5%---CF--T&R  
 R216  
 4 22FP 22FP 70240100 22FP-1/4W-5%---FP---  
 R550, R551, R552, R553  
 8 22K 22K 70240029 22K-1/4W-5%---CF--T&R  
 R105, R112, R131, R132, R201, R513,  
 R521, R529  
 28 22E50 22E50 70320181 22MF-----20%---50VDC--EL--T&A  
 C104, C108, C110, C111, C120, C121,  
 C122, C124, C127, C315, C316, C317,  
 C218, C219, C220, C221, C222, C223,  
 C301, C302, C303, C304, C500, C504,  
 C505, C520, C522, C526  
 2 22W1 22W1 70210001 22---1W-5%---MO--T&R  
 R502, R544  
 1 270FP 270FP 70340057 270FP-----10%---50VDC---T/C---T&R  
 C107  
 1 28KP1 28KP1 70241025 28K-1/4W-1%---MF--T&R  
 R219  
 2 2N5400 5400 70460761 761ZNS400 120V 10MA TO-92 PNP T&A  
 Q500, Q506  
 2 2N5550 5550 70465550 2N5550 TO-92 NPN TRANS T&A  
 Q505, Q510  
 2 2SA1302 2SA1302 70465200 200V PLASTIC PNP POWER TRANSISTOR  
 Q502, Q504  
 1 2SA1837V 2SA1837V 70401837 PNP TRAN TO-220 230V 1A VERT  
 Q508  
 2 25C3281 25C3281 70468200 200V PLASTIC NPN POWER TRANSISTOR  
 Q507, Q509  
 1 25C4793V 25C4793V 70404793 NPN TRAN TO-220 230V 1A VERT  
 Q503  
 7 3.3K 3.3K 70240022 3.3K-1/4W-5%---CF--T&R  
 R119, R142, R144, R505, R507, R538, R540  
 1 3.57KP1 3.57KP1 70240108 3.57K 1% 1/4W MF T&R  
 R205  
 3 3.9K 3.9K 70241093 3.9K-1/4W-5%---CF--AXL  
 R208, R232, R233  
 1 30.1KP1 30.1KP1 70241031 30.1K-1/4W-1%---MF--T&R  
 R108  
 1 33 33 70240004 33-----1/4W-5%---CF--T&R  
 R137  
 1 330 330 70240014 330-1/4W-5%---CF--T&R  
 R213  
 2 3300R80 3300R80 70320132 3300MF -20% -80VDC -EL -R/S  
 C509, C515  
 4 33K 33K 70240010 33K-1/4W-5%---CF--T&R  
 R114, R129, R510, R549  
 2 340P1 340P1 70241011 340-1/4W-1%---MF--T&R  
 R501, R543  
 3 39K 39K 70240046 39K-1/4W-5%---CF--T&R  
 R100, R103, R106  
 3 39PF 39PF 70340052 39PF-----50VDC---T/C---T&R  
 C112, C118, C510  
 7 3K 3K 70240071 3K-1/4W-5%---CF--T&R  
 R225, R226, R227, R228, R229, R230, R231  
 1 3UH 3UH 70519939 3 UHY INDUCTOR  
 L500  
 3 4.7FP 4.7FP 70340094 4.7FP-1/4W-10%---FP--T&R  
 R520, R528, R554  
 5 4.7K 4.7K 70240023 4.7K-1/4W-5%---CF--T&R  
 R204, R234, R235, R236, R237  
 13 4560 4560 70414560 4560 DUAL OP AMP IC  
 U109, U101, U102, U104, U105, U200,  
 U201, U202, U203, U204, U300, U500, U501  
 3 470 470 70240015 470-1/4W-5%---CF--T&R  
 R116, R141, R212  
 1 4700FPY 4700FPY 70220125 4700FP, 400VAC EXP LINE CAPY  
 C802  
 2 4700R50 4700R50 70320260 4700MF-----20%---50VDC--EL--R/S  
 C537, C538  
 1 470K 470K 70240038 470K-1/4W-5%---CF--T&R  
 R109  
 10 47K 47K 70240031 47K-1/4W-5%---CF--T&R  
 R124, R200, R218, R303, R306, R307,  
 R308, R506, R512, R516  
 1 47PF 47PF 70340057 47PF-----10%---50VDC---T/C---T&R  
 C119  
 4 47W1 47W1 70210011 47---1W-5%---MO--T&R  
 R150, R151, R152, R153  
 4 4PRC42 4PRC42 70600054 4C PRE-TIN 100 CTR, 4" JUMPER (SPLIT VERSION)  
 P101, P102, P103, P104  
 1 5.62KP1 5.62KP1 70241008 5.62K-1/4W-1%---MF--T&R  
 R102  
 2 5.6W5 5.6W5 70250026 5.6-5W-10%---WW--AXL  
 R522, R527  
 1 50KBRA 71190904 71190904 50KB-12MM-R/A D-SHAFT  
 VR103  
 2 50KBRAD 71190905 71190905 50KB W/DYTT-12MM-R/A D-SHAFT  
 VR101, VR102  
 2 560W1/2 560W1/2 70230044 560---1/2W-5%---FP---T&R  
 R508, R536  
 2 56W2 56W2 70250161 56---2W-5%---MO--T&R  
 R555, R556  
 1 6.8K 6.8K 70240024 6.8K-1/4W-5%---CF--T&R  
 R203

1	66-5KPI	70240128	66.5K 1% 1/4W MF T&R	R101	PI	70400605	70400605	6A, 600V, INLINE DIODE BRIDGE RECTIFIER	7	SFOTO123	71190123	71190123	50KW 20MM SLIDER W/ODT & TAP
2	68	70240009	68---1/4W--5%---CF--T&R	R101	BR500	70400605	70400605	6A, 600V, INLINE DIODE BRIDGE RECTIFIER	3	SFXIU	73717003	73717003	1 STAKE FIN
1	680	70240016	680---1/4W--5%---CF--T&R	R517, R531	BRK1, BRK2, BRK3, SO2	71500238	71500238	#74 L-BRACKET W/4-40 HOLE	1	WBBK4S	WBBK4S	91090508	BLACK-18GA-4"-CPT TO 250 SPADE
1	680K	70240065	680K---1/4W--5%---CF--T&R	R211	BRK4, SO1	70460097	70460097	MAC97-6.00V 6A TO-92 TRIAC T&A	1	WBBL20	WBBL20	91090546	BL-18G-20"-CPT-205SPD
2	68K	70240032	68K---1/4W--5%---CF--T&R	R120	CR102	73711812	73711812	R93-12 PN C.B. MALE MOLEX PIN	1	WBRD20	WBRD20	91090650	RD-18G-20"-CPT-110SPD
1	7815FVRT	7815FVRT	70400318	7815 15V 1A POS TO-220 RG VERT MNT INS	Q511	MR812	70404933	MR812 FAST RECOVERY DIODE	1	WBRW4S	WBRW4S	91090470	WHITE--18G--4"-CPT/250SPD
1	7915FVRT	7915FVRT	70400319	7915 15V 1A NEG TO 220 RG VERT MNT INS	Q512	PCMTIRASW	71322377	PC MOUNT PIGHT ANGLE POWER SWITCH	1	WBYL20	WBYL20	91090549	YL-18G-20"-CPT-205SPD
4	8.2K	8.2K	70240049	8.2K--1/4W--5%---CF--T&R	R117, R118, R523, R526	SW1	71322289	DPDT PIP CB MNT SWITCH	4	PRASW	PRASW	71322289	DPDT PIP CB MNT SWITCH
1	820	820	70240019	820---1/4W--5%---CF--T&R	R210	S100, S102, S200, S300	71466181	XLB CONN R/A MALE W/BRKT	1	WBRW4S	WBRW4S	91090470	WHITE--18G--4"-CPT/250SPD
2	820PF	820PF	70340062	820PF-----10%---50VDC---TJC---T&R	C511, C513	J300			1	WBYL20	WBYL20	91090549	YL-18G-20"-CPT-205SPD
1	82K	82K	70240033	82K--1/4W--5%---CF--T&R	R217	CR103	71466222	jack mono r/a 1/4" 6.5mm	1	RAML6222	RAML6222	71466222	jack mono r/a 1/4" 6.5mm
2	8CJMP5	8CJMP5	70600038	8C PRE-TIN .156-5" JUMPER	P100, P500	J104	71466322	JACK MONO R/A 1/4" 6.5MM N/DNS	1	RAMR6322	RAMR6322	71466322	JACK MONO R/A 1/4" 6.5MM N/DNS
1	DG211	DG211	70420211	DG211 C/J.C.	U103	I500	71466223	jack stereo r/a 1/4" 6.5mm	1	RASL6223	RASL6223	71466223	jack stereo r/a 1/4" 6.5mm
1	DRASW	DRASW	71322256	PC-MNT SWITCH DUAL	U103	J103	71466323	JACK STEREO R/A 1/4" 6.5MM N/DNS	3	RASN6223	RASN6223	71466323	JACK STEREO R/A 1/4" 6.5MM N/DNS
3	FMPU	73711811	73711811	M118-171 C.B. FEMALE MOLEX PIN	S101	J100, J101, J102			1	SACI87	SACI87	70400187	SACI87 200V TO220 TRIAC
1	FUSERA	70901429	70901429	EXT. FUSEHOLDER, PC MT	P505, P508, P510	CR510	70466014	SBS14 8V TO-92 BI-DIRECTIONAL SWITCH T&A	1	SBS14	SBS14	70466014	SBS14 8V TO-92 BI-DIRECTIONAL SWITCH T&A
3	J174	J174	70460174	J-174 30V TO-92 P-CHAN FET T&A	FI	CR511	70240210	5 OHM, 12 A INRUSH THERMISTOR	1	SG26	SG26	70240210	5 OHM, 12 A INRUSH THERMISTOR
1	JMP	JMP	70600005	22 GA. JUMPER WIRE T&R	Q105, Q501, Q513	R800	73716194	250 PC-MNT SPADE .093 PCB	4	SPD	SPD	73716194	250 PC-MNT SPADE .093 PCB

\*\*\*\*\*  
 \* END OF BILL OF MATERIALS REPORT \*  
 \*\*\*\*\*