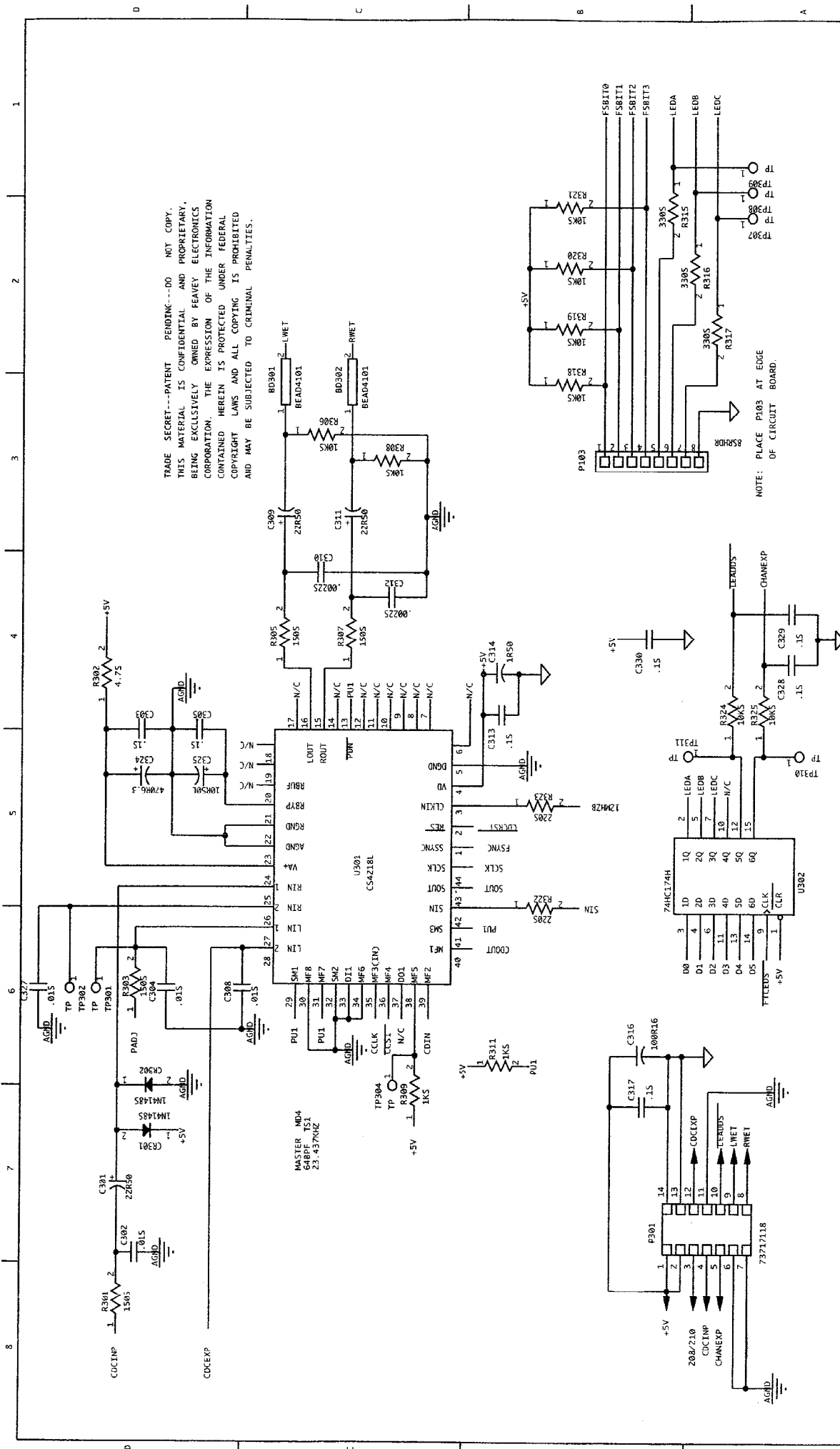


TRADE SECRET... PATENT PENDING... DO NOT COPY THIS MATERIAL IS CONFIDENTIAL AND PROPRIETARY BEING EXCLUSIVELY OWNED BY PEAVEY ELECTRONICS CORP. THE EXPRESSION OF THE INFORMATION CONTAINED HEREIN IS PROTECTED UNDER FEDERAL COPYRIGHT LAWS, AND ALL COPYING IS PROHIBITED AND MAY BE SUBJECT-ED TO CRIMINAL PENALTIES.

TITLE		45P88/219	
SIZE	B	CODE	NUMBER
DATE		28-MAR-97	
SHEET		1	
PEAVEY ELECTRONICS CORP.			

NOTE HIGHEST REF CR101 R107 C112 U107 TP101

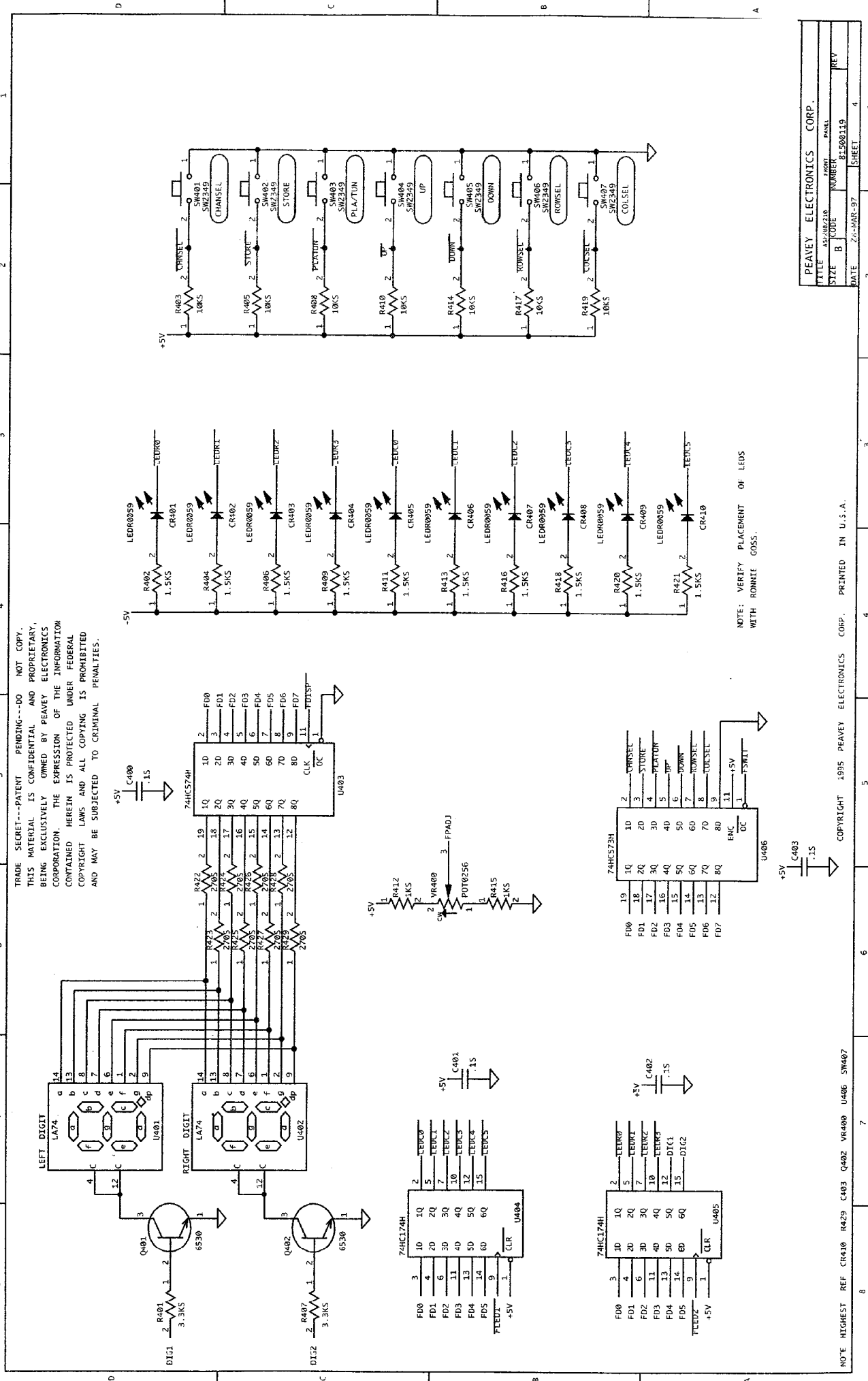
COPYRIGHT 1995 PEAVEY ELECTRONICS CORP. PRINTED IN U.S.A.



TRADE SECRET--PATENT PENDING--DO NOT COPY.
 THIS MATERIAL IS CONFIDENTIAL AND PROPRIETARY,
 BEING EXCLUSIVELY OWNED BY PEAVEY ELECTRONICS
 CORPORATION. THE EXPRESSION OF THE INFORMATION
 CONTAINED HEREIN IS PROTECTED UNDER FEDERAL
 COPYRIGHT LAWS AND ALL COPYING IS PROHIBITED
 AND MAY BE SUBJECT TO CRIMINAL PENALTIES.

NOTE: PLACE P103 AT EDGE
 OF CIRCUIT BOARD.

PEAVEY ELECTRONICS CORP.			
TITLE	48888210	NUMBER	81508119
SIZE	B	CODE	
DATE	26-MAR-97	SHEET	3

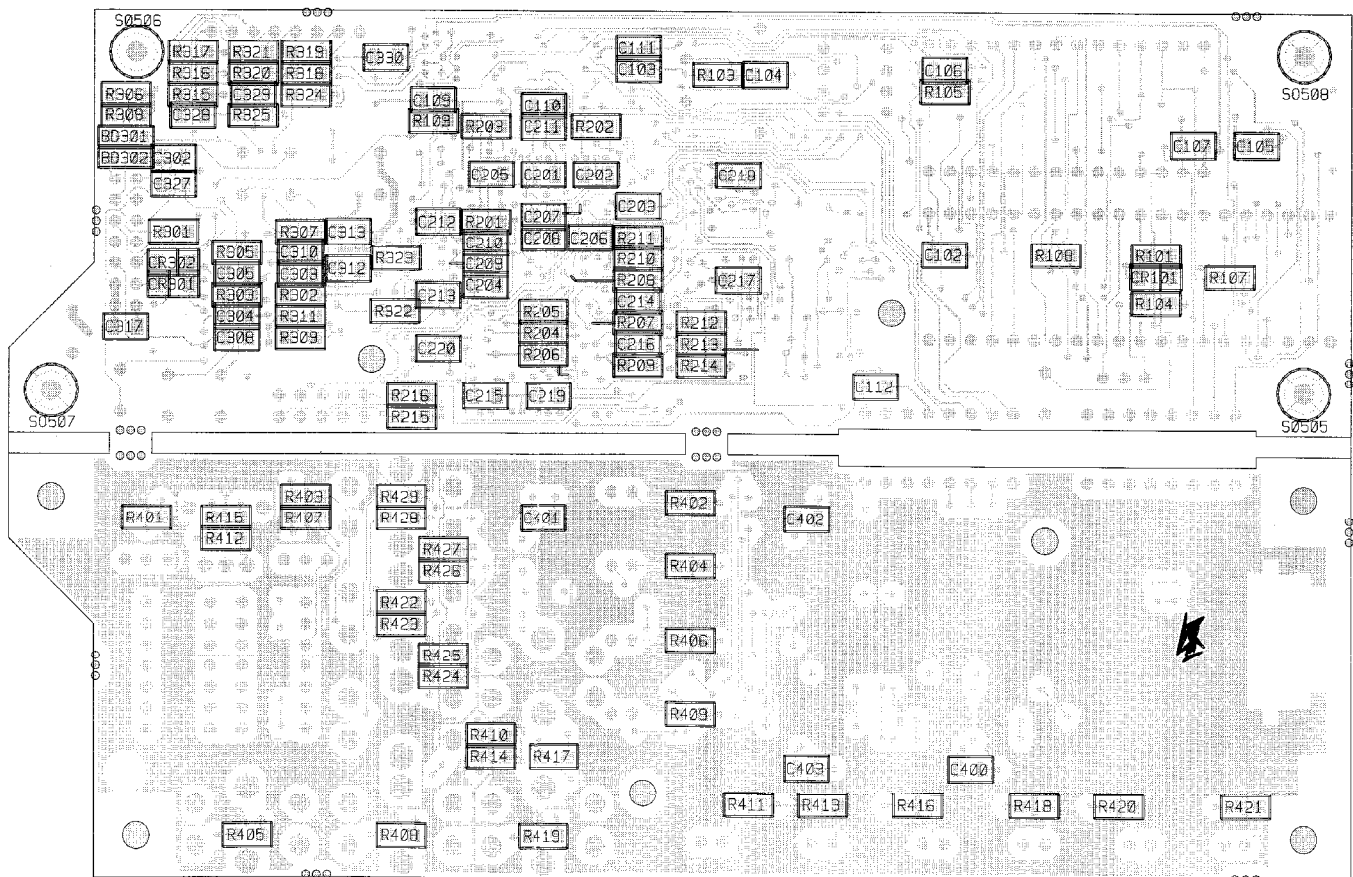
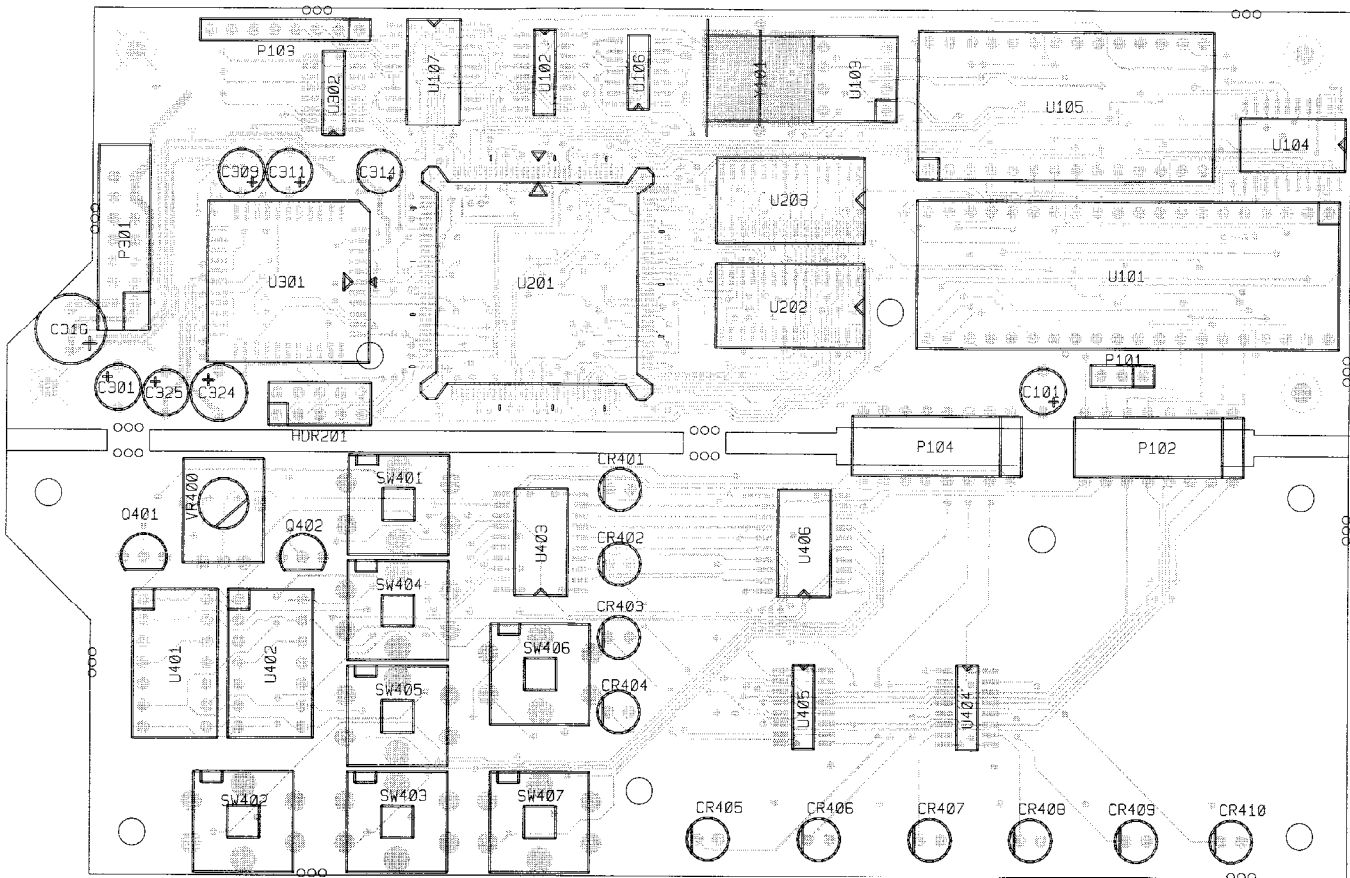


TRADE SECRET---PATENT PENDING---DO NOT COPY.
 THIS MATERIAL IS CONFIDENTIAL AND PROPRIETARY,
 BEING EXCLUSIVELY OWNED BY PEAVEY ELECTRONICS
 CORPORATION. THE EXPRESSION OF THE INFORMATION
 CONTAINED HEREIN IS PROTECTED UNDER FEDERAL
 COPYRIGHT LAWS AND ALL COPYING IS PROHIBITED
 AND MAY BE SUBJECT TO CRIMINAL PENALTIES.

NOTE: VERIFY PLACEMENT OF LEDs
 WITH RONNIE GOSS.

PEAVEY ELECTRONICS CORP.			
TITLE	REV	DATE	REV
452-082310	1	28-MAR-97	1
SIZE	B	CODE	NUMBER
			81500119
			SHEET
			4

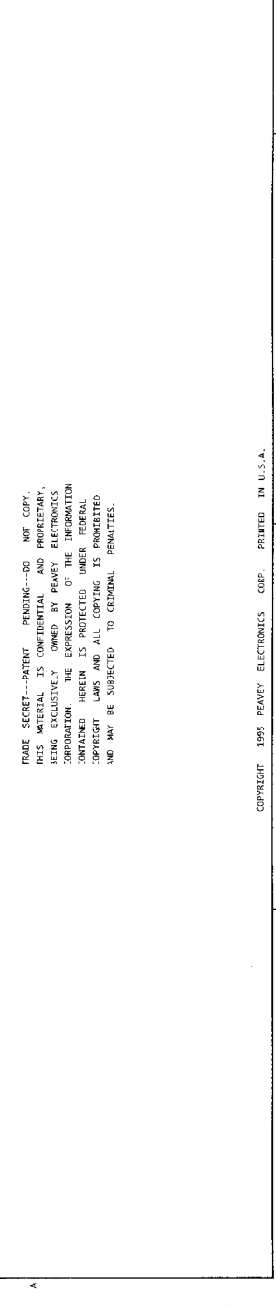
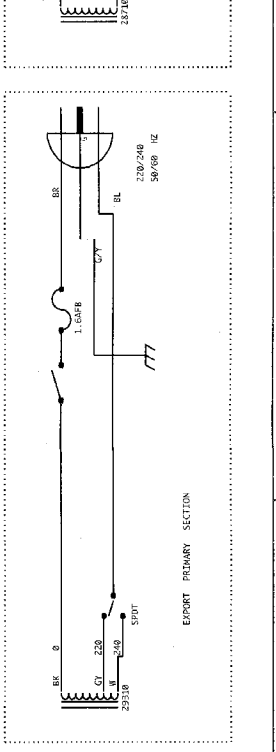
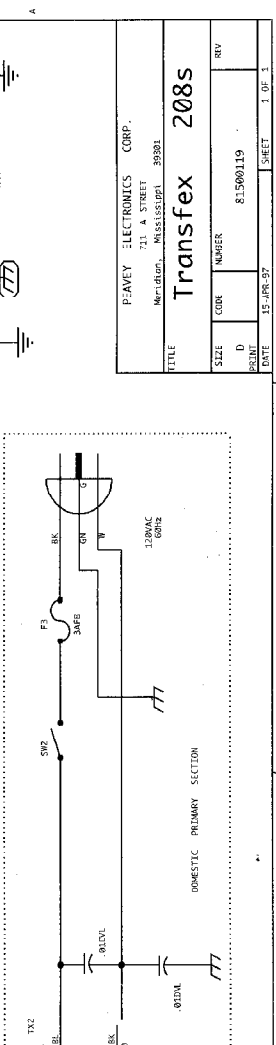
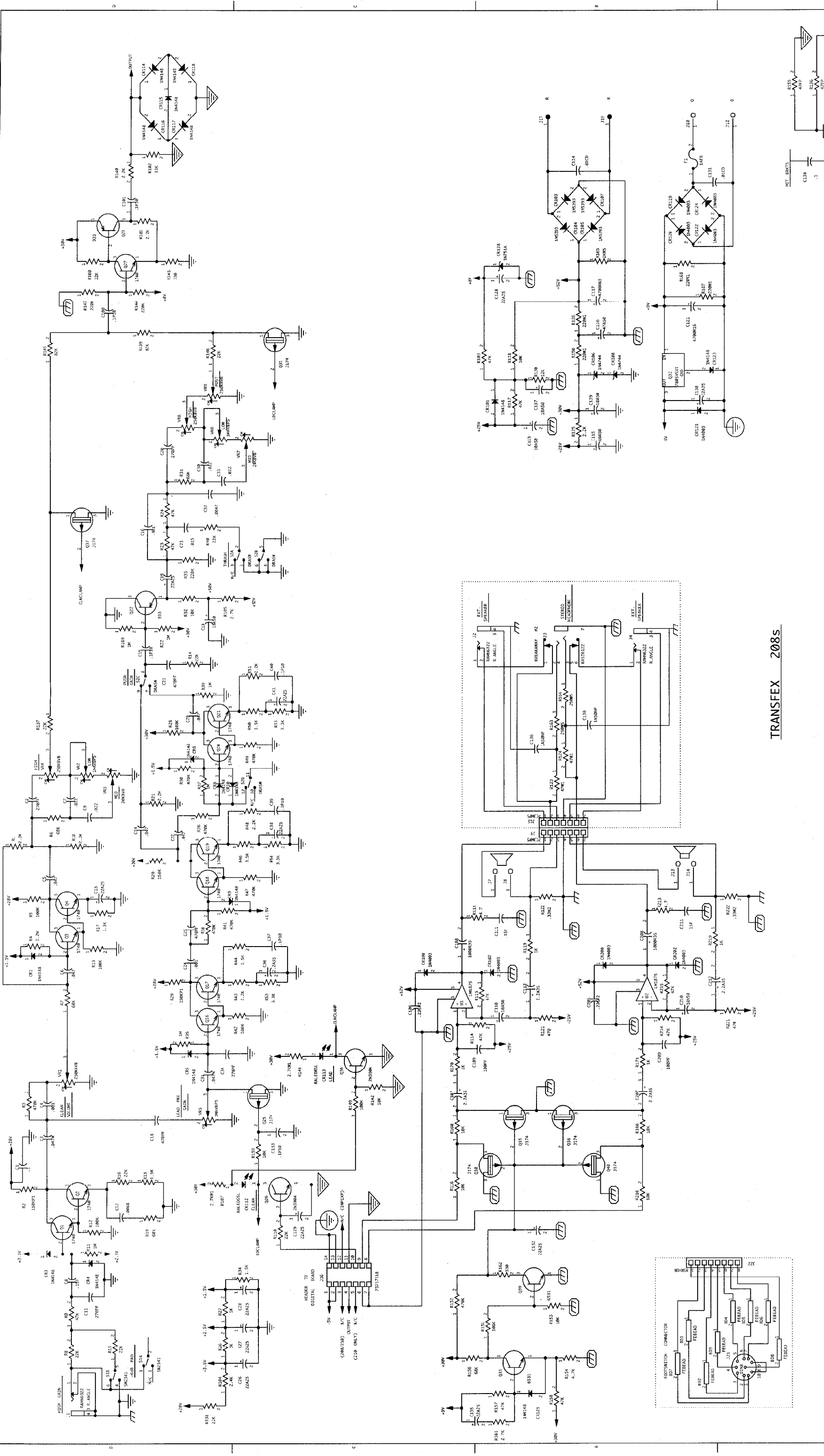
ASP 208 REVERB PRIMARY SIDE



ASP 208 REVERB SECONDARY SIDE

BOARD NAME: ASP 208 REV				3	1KS	1K	70200019	1k-1/8w-5%-smt	
** QTY.	PART NAME	VALUE	PART NUMBER	DESCRIPTION AND DEVICE DESIGNATIONS				R201, R202, R203	
*****	*****	*****	*****	*****	*****	*****	*****	10K-1/8W-5%-SMT	
*****	*****	*****	*****	*****	*****	*****	*****	R204, R205	
2	BEAD4101	FB	70504101	BLM41A01-PT FERRITE CHIP	9	1KS	1K	70200019	1k-1/8w-5%-smt
1	2.2R50	2.2R50	70320180	BD301, BD302	2	10KS	10K	70200028	R206, R207, R208, R209, R210,
1	.1S	.1	70300035	2.2MF-20%-50VDC-EL-T&A	2	10KS	10K	70200028	R211, R212, R213, R214
2	39PFS	39PF	70300012	C101	1	150S	150	70200014	10K-1/8W-5%-SMT
10	.1S	.1	70300035	.1MF Z5U 50V 20% SMT 1206	1	150S	150	70200014	R215, R216
1	39PFS	39PF	70300012	C102	1	4.7S	4.7	70200041	150-1/8w-5%-smt
1	.1S	.1	70300035	39PF COG 50V 5% SMT 1206	1	150S	150	70200014	R301
1	470PFS	470PF	70300047	C103, C104	2	150S	150	70200014	4.7-1/8W-5%-SMT
5	39PFS	39PF	70300012	.1MF Z5U 50V 20% SMT 1206	1	10KS	10K	70200028	R302
9	.1S	.1	70300035	C105, C106, C107, C109, C110, C111,	2	150S	150	70200014	150-1/8w-5%-smt
1	39PFS	39PF	70300012	C112, C201, C202, C203	1	10KS	10K	70200028	R303, R305
1	.1S	.1	70300035	39PF COG 50V 5% SMT 1206	1	150S	150	70200014	10K-1/8W-5%-SMT
1	470PFS	470PF	70300047	C204	1	10KS	10K	70200028	R306
5	39PFS	39PF	70300012	.1MF Z5U 50V 20% SMT 1206	1	150S	150	70200014	150-1/8w-5%-smt
9	.1S	.1	70300035	C205	1	10KS	10K	70200028	R307
1	22R50	22R50	70320181	470PF COG 50V 5% SMT 1206	2	1KS	1K	70200019	10K-1/8W-5%-SMT
1	.01S	.01	70300023	C206	2	1KS	1K	70200019	R308
1	.1S	.1	70300035	39PF COG 50V 5% SMT 1206	3	330S	330	70200071	1k-1/8w-5%-smt
1	.01S	.01	70300023	C207, C208, C209, C210, C211	3	330S	330	70200071	R309, R311
1	.1S	.1	70300035	.1MF Z5U 50V 20% SMT 1206	4	10KS	10K	70200028	330-1/8W-5%-SM
1	22R50	22R50	70320181	C212, C213, C214, C215, C216, C217,	4	10KS	10K	70200028	R315, R316, R317
1	.01S	.01	70300023	C218, C219, C220	2	220S	220	70200016	10K-1/8W-5%-SMT
1	.1S	.1	70300035	22MF-20%-50VDC-EL-T&A	2	220S	220	70200016	R318, R319, R320, R321
1	.01S	.01	70300023	C301	2	10KS	10K	70200028	220-1/8w-5%-smt
1	.1S	.1	70300035	.01MF X7R 50V 10% SMT 1206	2	10KS	10K	70200028	R322, R323
1	.01S	.01	70300023	C302	2	10KS	10K	70200028	10K-1/8W-5%-SMT
1	.1S	.1	70300035	.1MF Z5U 50V 20% SMT 1206	1	3.3KS	3.3K	70200023	R324, R325
1	.01S	.01	70300023	C303	1	3.3KS	3.3K	70200023	3.3K-1/8W-5%-smt
1	.1S	.1	70300035	.01MF X7R 50V 10% SMT 1206	1	1.5KS	1.5K	70200020	R401
1	.01S	.01	70300023	C304	1	1.5KS	1.5K	70200020	1.5K-1/8W-5%-smt
1	.1S	.1	70300035	.1MF Z5U 50V 20% SMT 1206	1	10KS	10K	70200028	R402
1	.01S	.01	70300023	C305	1	10KS	10K	70200028	10K-1/8W-5%-SMT
1	22R50	22R50	70320181	.01MF X7R 50V 10% SMT 1206	1	1.5KS	1.5K	70200020	R403
1	.0022S	.0022	70300019	C308	1	1.5KS	1.5K	70200020	1.5K-1/8W-5%-smt
1	22R50	22R50	70320181	22MF-20%-50VDC-EL-T&A	1	10KS	10K	70200028	R404
1	.0022S	.0022	70300019	C309	1	10KS	10K	70200028	10K-1/8W-5%-SMT
1	22R50	22R50	70320181	.0022MF X7R 10% SMT	1	1.5KS	1.5K	70200020	R405
1	.0022S	.0022	70300019	C310	1	1.5KS	1.5K	70200020	1.5K-1/8W-5%-smt
1	.1S	.1	70300035	22MF-20%-50VDC-EL-T&A	1	3.3KS	3.3K	70200023	R406
1	1R50	1R50	70320261	C311	1	3.3KS	3.3K	70200023	3.3K-1/8W-5%-smt
1	100R16	100R16	70320265	.0022MF-X7R-10%-SMT	1	10KS	10K	70200028	R407
1	.1S	.1	70300035	C312	1	10KS	10K	70200028	10K-1/8W-5%-SMT
1	470R6.3	470R6.3	70320183	C313	1	1.5KS	1.5K	70200020	R408
1	10R50L	10R50L	70320185	.1MF Z5U 50V 20% SMT 1206	1	1.5KS	1.5K	70200020	1.5K-1/8W-5%-smt
1	.01S	.01	70300023	C314	1	1.5KS	1.5K	70200020	R409
1	.1S	.1	70300035	100MF-20%-16V-EL-T&A	1	1.5KS	1.5K	70200020	10K-1/8W-5%-SMT
1	470R6.3	470R6.3	70320183	C316	1	1KS	1K	70200019	R410
1	10R50L	10R50L	70320185	.1MF Z5U 50V 20% SMT 1206	1	1KS	1K	70200019	1.5K-1/8W-5%-smt
1	.01S	.01	70300023	C317	1	1KS	1K	70200019	R411
7	.1S	.1	70300035	470MF-20%-6.3VDC-EL-T&A	1	1.5KS	1.5K	70200020	R412
3	1N4148S	4148	70418026	C324	1	1.5KS	1.5K	70200020	1.5K-1/8W-5%-smt
10	LEDR0059	LEDR0059	70450059	10MF-20%-50VDC-LL-T&A	1	10KS	10K	70200028	R413
1	10DRHDR	73717134	73717134	C325	1	10KS	10K	70200028	10K-1/8W-5% SMT
1	3SRHDR	73717052	73717052	.01MF X7R 50V 10% SMT 1206	1	1KS	1K	70200019	R414
1	8PRCJ	8PRCJ	70600028	C327	1	1KS	1K	70200019	R415
1	8SRHDR	73717066	73717066	.1MF Z5U 50V 20% SMT 1206	1	1.5KS	1.5K	70200020	1.5K-1/8W-5%-smt
1	8PRCJ	8PRCJ	70600028	C328, C329, C330, C400, C401,	1	10KS	10K	70200028	R416
1	73717118	73717118	73717118	C402, C403	1	10KS	10K	70200028	10K-1/8W-5%-SMT
2	6530	6531	70466531	1N4148 (LL34) DIODE SMT	1	1.5KS	1.5K	70200020	R417
1	10KS	10K	70200028	CR101, CR301, CR302	1	1.5KS	1.5K	70200020	1.5K-1/8W-5%-smt
1	2.2MS	2.2M	70200037	LED, RED W/.420 SPACER, T&A	1	10KS	10K	70200028	R418
1	1KS	1K	70200019	CR401, CR402, CR403, CR404, CR405,	1	10KS	10K	70200028	10K-1/8W-5%-SMT
1	47KS	47K	70200032	CR406, CR407, CR408, CR409, CR410	2	1.5KS	1.5K	70200020	R419
1	100KS	100K	70200034	10-DR-RET/P-HD-.100 TIN	2	1.5KS	1.5K	70200020	1.5K-1/8W-5%-smt
2	47KS	47K	70200032	HDR201	8	270S	270	70200017	R420, R421
				3-ST-SQ/P-FL-HD-.100					270-1/8w-5%-smt
				P101					R422, R423, R424, R425, R426,
				8C PRE-TIN.100 CTR 2.5"JUMPER					R427, R428, R429
				P102					SPACER, 1/4, R(HW), 187 SWAGE
				8 PIN .100 S/R HEADER					ALUM.
				P103					S0505, S0506, S0507, S0508
				8C PRE-TIN.100 CTR 2.5"JUMPER					SWITCH, SPST MOM. PUSH
				P104					SW401, SW402, SW403, SW404, SW405,
				14-DR-BA-RET/P-HD-.100 TIN					SW406, SW407
				P301					80C31 I.C.CMOS MICROPROCESSOR
				MPS-6531 TO92 NPN TRANS.					U101
				Q401, Q402					74HC138 (SO16) SMT
				10K-1/8W-5%-SMT					U102
				R101					NM24C04 512 BYTE EEPROM
				2.2M-1/8W-5%-SMT					U103
				R103					74HC573 (SO120) SMT
				1k-1/8w-5%-smt					U104
				R104					64KX8 CMOS EPROM (250NS)
				47K-1/8W-5%-SMT					U105
				R105					74HC00 (SO14) SMT
				100K-1/8W-5%-SM					U106
				R107					74HC573 (SO120) SMT
				47K-1/8W-5%-SMT					U107
				R108, R109					

1	DSP56002	DSP56002	70418061	DSP56002 24-BIT PROC -SMT 132PQFF U201
2	58258-20	58258-20	70418068	32K X8 STATIC RAM IC-SMT U202, U203
1	CS4218L	CS4218L	70418155	STEREO 16-BIT CODEC REV 2 SMT U301
1	74HC174H	74HC174	70418038	74HC174H (SO16) SMT U302
2	LA74	LA74	70410074	7 SEG LED DISPLAY-RECT.LARGE U401, U402
1	74HC574H	74HC574	70418024	74HC574 (SOL-20) SMT U403
2	74HC174H	74HC174	70418038	74HC174H (SO16) SMT U404, U405
1	74HC573H	74HC573	70418041	74HC573 (SOL20) SMT U406
1	POT0256	71190256	71190256	10KB 9MM VPC S/K VR400
1	12MHZ	12MHZ	70800005	12 MHZ CRYSTAL Y101



TRANSFLEX 208S

TRADE SECRET—PATENT PENDING—DO NOT COPY.
 THIS MATERIAL IS CONFIDENTIAL AND PROPRIETARY,
 BEING EXCLUSIVELY OWNED BY PEAVEY ELECTRONICS
 CORPORATION. THE INFORMATION CONTAINED
 HEREIN IS UNCLASSIFIED AND IS NOT
 SUBJECT TO EXPORT CONTROLS. IT IS
 UNLAWFUL TO DISSEMINATE, REPRODUCE,
 OR TRANSMIT THIS INFORMATION IN ANY
 MANNER TO ANY PERSON OR ENTITY
 WITHOUT THE EXPRESS WRITTEN
 PERMISSION OF PEAVEY ELECTRONICS
 CORPORATION. VIOLATIONS OF THIS
 POLICY MAY BE SUBJECT TO CRIMINAL
 PENALTIES.

PEAVEY ELECTRONICS CORP.	
711 A STREET	
MURFREESBORO, MISSISSIPPI 38881	
TITLE Transflex 208s	
REV	REV
SIZE	NUMBER
D	815900119
DATE	12-10-87
BY	SHEET 1 OF 1

QTY	PART	VALUE	PART NUMBER	DESCRIPTION AND DEVICE DESIGNATIONS	1	.01CD	.01CD	70320248	2	PMFU	73711811	73711811	70240036	1	220K	220K	70240036	220K-1/4W-5%-CF-T&R
1	1	.01CD	70320248	.01MF-20%-100VDC-CD-T&A	1	.01CD	.01CD	70320248	2	PMFU	73711811	73711811	70240036	1	220K	220K	70240036	220K-1/4W-5%-CF-T&R
1	1	10A50	70320112	10MFD 50V T&R	1	10A50	10A50	70320112	1	WJ8YL12	WJ8YL12	91015128	70240018	1	1.5K	1.5K	70240018	1.5K-1/4W-5%-CF-T&R
1	1	47A50	70320013	47MFD 50VDC LYTIC CAP	1	47A50	47A50	70320013	1	WJ8BL12	WJ8BL12	91014127	70240039	1	1M	1M	70240039	1M-1/4W-5%-CF-T&R
1	1	4700R63	70320146	4700MFD 10%-63VDC-EL-R/S	1	4700R63	4700R63	70320146	1	7CJMP5	70600009	70600009	70240038	1	470K	470K	70240038	470K-1/4W-5%-CF-T&R
1	1	4700R16	70320124	4700MFD 16VDC RADIAL SNAP-IN	1	4700R16	4700R16	70320124	1	73717118	73717118	73717118	70240038	1	1M	1M	70240038	1M-1/4W-5%-CF-T&R
3	22A25	22A25	70320012	22MFD +/-20% 25VDC EL AXL	3	22A25	22A25	70320012	2	PMFU	73711812	73711812	70240038	1	470K	470K	70240038	470K-1/4W-5%-CF-T&R
1	1	.01CD	70320248	.01MF-20%-100VDC-CD-T&A	1	.01CD	.01CD	70320248	1	DINS	71466147	71466147	70240039	1	1M	1M	70240039	1M-1/4W-5%-CF-T&R
1	1	22A25	70320012	22MFD +/-20% 25VDC EL AXL	1	22A25	22A25	70320012	2	2CJMP3	70600036	70600036	70240029	1	22K	22K	70240029	22K-1/4W-5%-CF-T&R
1	1	1P10	70340101	1MF-10%-50VDC-MON-T&R	1	1P10	1P10	70340101	10	1740	1740	70401740	70240038	1	470K	470K	70240038	470K-1/4W-5%-CF-T&R
1	1	.1	70340100	10MFD 10% 100V STACK FILM	1	.1	.1	70340100	10	1740	1740	70401740	70240020	1	100K	100K	70240020	100K-1/4W-5%-CF-T&R
1	1	22A25	70320012	22MFD +/-20% 25VDC EL AXL	1	22A25	22A25	70320012	2	933	933	70400933	70240018	1	2.2K	2.2K	70240018	2.2K-1/4W-5%-CF-T&R
1	1	1A50NP	70320138	1MFD 10% 50VNP EL T&R	1	1A50NP	1A50NP	70320138	2	933	933	70400933	70240018	2	1.5K	1.5K	70240018	1.5K-1/4W-5%-CF-T&R
1	1	10A50	70320112	10MFD 50V T&R	1	10A50	10A50	70320112	1	J174	J174	70460174	70240038	1	470K	470K	70240038	470K-1/4W-5%-CF-T&R
1	1	1A50NP	70320138	1MFD 10% 50VNP EL T&R	1	1A50NP	1A50NP	70320138	1	2N3904	3904	70463904	70240020	1	2.2K	2.2K	70240020	2.2K-1/4W-5%-CF-T&R
1	1	10A50	70320112	10MFD 50V T&R	1	10A50	10A50	70320112	1	1740	1740	70401740	70240038	1	470K	470K	70240038	470K-1/4W-5%-CF-T&R
1	1	.22SF2	70330114	0.22MF 5% 100V STACK FILM T&A	1	.22SF2	.22SF2	70330114	1	2N3904	3904	70463904	70240018	1	1.5K	1.5K	70240018	1.5K-1/4W-5%-CF-T&R
1	1	2.2A35	70320200	2.2MFD 35VDC LY.CAP T&R	1	2.2A35	2.2A35	70320200	1	J174	J174	70460174	70240020	1	2.2K	2.2K	70240020	2.2K-1/4W-5%-CF-T&R
1	1	100R35	70320186	1000MF-20%-35VDC-EL-T&A	1	100R35	100R35	70320186	1	7805VERT	7805VERT	70427805	70240022	3	3.3K	3.3K	70240022	3.3K-1/4W-5%-CF-T&R
1	1	100PF	70340054	100PF-10%-50VDC-T/C-T&R	1	100PF	100PF	70340054	1	6531	6531	70466531	70240029	1	22K	22K	70240029	22K-1/4W-5%-CF-T&R
1	1	10A50	70320112	10MFD 50V T&R	1	10A50	10A50	70320112	4	J174	J174	70460174	70240020	1	2.2K	2.2K	70240020	2.2K-1/4W-5%-CF-T&R
1	1	.1SF	70330113	0.10MFD 10% 100V STACK FILM	1	.1SF	.1SF	70330113	1	6531	6531	70466531	70240030	1	33K	33K	70240030	33K-1/4W-5%-CF-T&R
1	1	2.2A35	70320200	2.2MFD 35VDC LY.CAP T&R	1	2.2A35	2.2A35	70320200	1	J174	J174	70460174	70240031	1	47K	47K	70240031	47K-1/4W-5%-CF-T&R
8	1M4148	4148	70464148	1M4148 75V 10MA SILICON DIODE	8	1M4148	4148	70464148	1	2.2M	2.2M	70240040	70240062	1	2.4K	2.4K	70240062	2.4K-1/4W-5%-CF-T&R
1	1	1M4003	70464003	1M4148 75V 10MA SILICON DIODE	1	1M4003	1M4003	70464003	1	470K	470K	70240038	70210016	1	2.7KW1	2.7KW1	70210016	2.7K-1/4W-5%-CF-T&R
1	1	1M4148	70464148	1M4148 75V 10MA SILICON DIODE	1	1M4148	4148	70464148	1	2.2M	2.2M	70240040	70240029	1	22K	22K	70240029	22K-1/4W-5%-CF-T&R
1	1	1M4003	70464003	1M4003 200V SILICON DIODE	1	1M4003	1M4003	70464003	1	100K	100K	70240034	70240002	1	4.7	4.7	70240002	4.7-1/4W-5%-CF-T&R
3	1N5393	5393	70465393	1N5393-RL 200V,1.5% DIODE-T&R	3	1N5393	5393	70465393	1	150KPF	150KPF	70241035	70240021	1	2.7K	2.7K	70240021	2.7K-1/4W-5%-CF-T&R
1	1	1N4744	70440102	1N4744 15V 5% ZENER DIODE	1	1N4744	4744	70440102	2	68K	68K	70240032	70240031	1	47K	47K	70240031	47K-1/4W-5%-CF-T&R
1	1	1N5393	70465393	1N5393-RL 200V,1.5% DIODE-T&R	1	1N5393	5393	70465393	1	22K	22K	70240029	70240025	1	10K	10K	70240025	10K-1/4W-5%-CF-T&R
1	1	1N4744	70440102	1N4744 15V 5% ZENER DIODE	1	1N4744	4744	70440102	1	47K	47K	70240031	70240002	1	47K	47K	70240002	47K-1/4W-5%-CF-T&R
1	1	1N4744	70440102	1N4744 15V 5% ZENER DIODE	1	1N4744	4744	70440102	1	2.2M	2.2M	70240040	70240017	1	1K	1K	70240017	1K-1/4W-5%-CF-T&R
1	1	1N4744	70440102	1N4744 15V 5% ZENER DIODE	1	1N4744	4744	70440102	1	1M	1M	70240039	70240057	1	12K	12K	70240057	12K-1/4W-5%-CF-T&R
1	1	1N4744	70440102	1N4744 15V 5% ZENER DIODE	1	1N4744	4744	70440102	2	100K	100K	70240034	70240015	1	470	470	70240015	470-1/4W-5%-CF-T&R
5	1N4148	4148	70464148	1N4148 75V 10MA SILICON DIODE	5	1N4148	4148	70464148	3	22K	22K	70240029	70241101	1	33W2	33W2	70241101	33-2W-10%-4W-T&R
4	1N4003	1N4003	70464003	1N4003 200V SILICON DIODE	4	1N4003	1N4003	70464003	1	3.3K	3.3K	70240022	70240020	1	2.2K	2.2K	70240020	2.2K-1/4W-5%-CF-T&R
1	1	1N4148	70464148	1N4148 75V 10MA SILICON DIODE	1	1N4148	4148	70464148	1	1.5K	1.5K	70240018	70210011	2	47W1	47W1	70210011	47-1W-5%-MO-T&R
1	1	1N4003	70464003	1N4003 200V SILICON DIODE	1	1N4003	1N4003	70464003	1	68K	68K	70240032	70240020	1	2.2K	2.2K	70240020	2.2K-1/4W-5%-CF-T&R
1	1	1N4148	70464148	1N4148 75V 10MA SILICON DIODE	1	1N4148	4148	70464148	1	150K	150K	70240035	70210019	1	220W1	220W1	70210019	220-1W-5%-MO-T&R
1	1	1N751A	1N751A	1N751A 5.1V, .4W, 5% ZENER	1	1N751A	1N751A	1N751A	1	150K	150K	70240035	70240090	1	47FP	47FP	70240090	47FP-1/4W-5%-FP-T&R
2	1N4003	1N4003	70464003	1N4003 200V SILICON DIODE	2	1N4003	1N4003	70464003	1	2.2M	2.2M	70240040	70240029	2	22K	22K	70240029	22K-1/4W-5%-CF-T&R
1	1	1AFB	70900085	1AFB FUSE WITH 2 FUSECLIPS	1	1AFB	1AFB	70900085	1	1M	1M	70240039	70240029	1	47FP	47FP	70240029	47FP-1/4W-5%-FP-T&R
1	1	H50629	70900629	AAVID VERTICAL TO-220 HEATSINK	1	H50629	70900629	70900629	2	47K	47K	70240031	70240033	1	82K	82K	70240033	82K-1/4W-5%-CF-T&R
2	1N4148	4148	70464148	1N4148 75V 10MA SILICON DIODE	2	1N4148	4148	70464148	2	1K	1K	70240017	70240020	1	2.2K	2.2K	70240020	2.2K-1/4W-5%-CF-T&R
1	1	1N4148	70464148	1N4148 75V 10MA SILICON DIODE	1	1N4148	4148	70464148	1	100K	100K	70240034	70240025	1	10K	10K	70240025	10K-1/4W-5%-CF-T&R
1	1	1N751A	1N751A	1N751A 5.1V, .4W, 5% ZENER	1	1N751A	1N751A	1N751A	1	150KPF	150KPF	70241035	70240033	1	82K	82K	70240033	82K-1/4W-5%-CF-T&R
2	1N4003	1N4003	70464003	1N4003 200V SILICON DIODE	2	1N4003	1N4003	70464003	1	150KPF	150KPF	70241035	70240036	1	220K	220K	70240036	220K-1/4W-5%-CF-T&R
1	1	1AFB	70900085	1AFB FUSE WITH 2 FUSECLIPS	1	1AFB	1AFB	70900085	1	470K	470K	70240038	70240014	1	330	330	70240014	330-1/4W-5%-CF-T&R
1	1	H50629	70900629	AAVID VERTICAL TO-220 HEATSINK	1	H50629	70900629	70900629	1	68K	68K	70240032	70240029	1	22K	22K	70240029	22K-1/4W-5%-CF-T&R
2	1N4148	4148	70464148	1N4148 75V 10MA SILICON DIODE	2	1N4148	4148	70464148	1	10K	10K	70240034	70240025	1	220K	220K	70240025	220K-1/4W-5%-CF-T&R
1	1	1N4148	70464148	1N4148 75V 10MA SILICON DIODE	1	1N4148	4148	70464148	1	150KPF	150KPF	70241035	70240033	1	82K	82K	70240033	82K-1/4W-5%-CF-T&R
1	1	1N751A	1N751A	1N751A 5.1V, .4W, 5% ZENER	1	1N751A	1N751A	1N751A	1	470K	470K	70240038	70240014	1	330	330	70240014	330-1/4W-5%-CF-T&R
1	1	1N4003	70464003	1N4003 200V SILICON DIODE	1	1N4003	1N4003	70464003	1	68K	68K	70240032	70240029	1	22K	22K	70240029	22K-1/4W-5%-CF-T&R
1	1	1N4148	70464148	1N4148 75V 10MA SILICON DIODE	1	1N4148	4148	70464148	1	10K	10K	70240						

1	2.7KW1	2.7KW1	70210016	2.7K-1W-5%-MO-T&R R148
1	100K	100K	70240034	100K-1/4W-5%-CF-T&R R149
1	220W1	220W1	70210019	220-1W-5%-MO-T&R R150
1	100K	100K	70240034	100K-1/4W-5%-CF-T&R R151
1	470K	470K	70240038	470K-1/4W-5%-CF-T&R R152
1	10K	10K	70240025	10K-1/4W-5%-CF-T&R R153
1	4.7K	4.7K	70240023	4.7K-1/4W-5%-CF-T&R R154
1	47FP	47FP	70240090	47FP-1/4W-5%-FP-T&R R155
1	68K	68K	70240032	68K-1/4W-5%-CF-T&R R156
2	47K	47K	70240031	47K-1/4W-5%-CF-T&R R157, R158
2	10K	10K	70240025	10K-1/4W-5%-CF-T&R R159, R160
1	2.7K	2.7K	70240021	2.7K-1/4W-5%-CF-T&R R161
1	330	330	70240014	330-1/4W-5%-CF-T&R R162
2	250W5	250W5	70250002	250-5W-10%-WW-AXL R163, R164
1	2KW5	2KW5	70250063	2K-5W-10%-WW-AXL R165
1	10K	10K	70240025	10K-1/4W-5%-CF-T&R R166
2	220W1	220W1	70210019	220-1W-5%-MO-T&R R167, R168
1	1M	1M	70240039	1M-1/4W-5%-CF-T&R R169
2	1K	1K	70240017	1K-1/4W-5%-CF-T&R R170, R171
1	4.7	4.7	70240002	4.7-1/4W-5%-CF-T&R R213
2	47K	47K	70240031	47K-1/4W-5%-CF-T&R R214, R215
1	10K	10K	70240025	10K-1/4W-5%-CF-T&R R216
1	1K	1K	70240017	1K-1/4W-5%-CF-T&R R219
1	470	470	70240015	470-1/4W-5%-CF-T&R R221
1	.33W2	.33W2	70241101	.33-2W-10%-WW-T&R R222
1	SW2341	SW2341	71322341	dpdt p/p r/a mini S1
1	DRASW	DRASW	71322256	PC MNT SWITCH DUAL S2
2	375SOWD	70900295	70900295	SPACER, 3/8, R(#4), .187 SWAGE ALUM. SP1, SP2
1	187SOWD	70900924	70900924	SPACER, .187 R, (#4), .187 SWAGE ALUM. SP3
1	375SOWD	70900295	70900295	SPACER, 3/8, R(#4), .187 SWAGE ALUM. SP4
1	187SOWD	70900924	70900924	SPACER, .187 R, (#4), .187 SWAGE ALUM. SP6
1	375SOWD	70900295	70900295	SPACER, 3/8, R(#4), .187 SWAGE ALUM. SP7
1	187SOWD	70900924	70900924	SPACER, .187 R, (#4), .187 SWAGE ALUM. SP9
1	375SOWD	70900295	70900295	SPACER, 3/8, R(#4), .187 SWAGE ALUM. SP10
1	187SOWD	70900924	70900924	SPACER, .187 R, (#4), .187 SWAGE ALUM. SP12
2	LM1875	LM1875	70401875	LM-1875 PWR-OP-AMP VER.MNT. U1, U2
1	250KAVB	71190514	71190514	250K AUD MIN VPC W/BRACKET VR1
1	1MAVBPF5	71190522	71190522	1 MEG AUD MIN VPC 5% TAPER W/BRKT VR2
1	20KBVB	71190518	71190518	20K LIN MIN VPC W/BRACKET VR3
1	250KBVB	71190515	71190515	250K LIN MIN VPC W/BRACKET VR4
2	1MAVBPF5	71190522	71190522	1 MEG AUD MIN VPC 5% TAPER W/BRKT VR5, VR6
1	20KBVB	71190518	71190518	20K LIN MIN VPC W/BRACKET VR7
2	250KBVB	71190515	71190515	250K LIN MIN VPC W/BRACKET VR8, VR9
