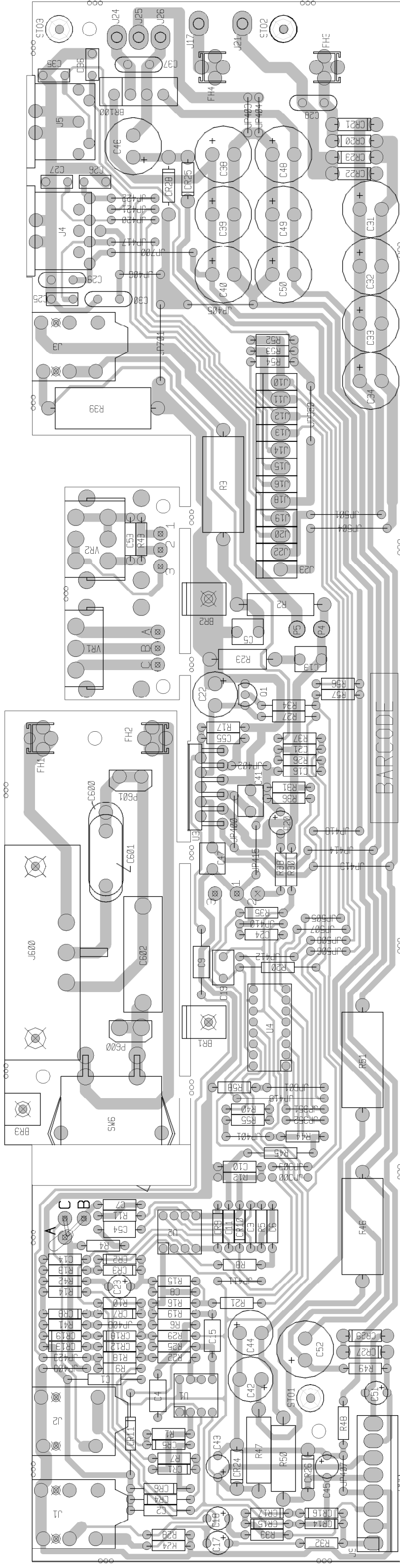


NOTICE: THIS CIRCUITRY IS PROTECTED BY U.S. PATENT NOS. 5,197,102; 5,524,055; 5,647,004; 5,619,578 AND 5,675,656; TAIWAN ROC. INV. 072727 AND 075772; TAIWAN ROC UTILITY MODEL 140933; EPO 0662752; SINGAPORE P34967; 24137; AND 42304; JP 2,614,988; 2891326; AND 2801871; CANADA 2,139,714; 2,139,717; AND 2,151,003; CHINA ZL9510119.7; ZL95101252.5; GERMANY 69510380.6; MEXICO 190,227; KOREA 155052; 155053; 166649; AND PATENTS PENDING OWNED BY PEAVEY ELECTRONICS CORP. USE OR COPYING WITHOUT EXPRESS WRITTEN AUTHORITY FROM PEAVEY IS STRICTLY FORBIDDEN AND VIOLATORS WILL BE PROSECUTED TO THE FULLEST EXTENT ALLOWED UNDER U.S. PATENT LAWS. C51

PEAVEY ELECTRONICS CORP.	
711 A STREET	
MERIDIAN, MISSISSIPPI 39301	
TITLE	Transformer 112 Pwr. Amp
SIZE	C
CODE	NUMBER 99099012/13
PRINT	DATE 9-MAR-2000
REV	SHEET 1 OF 1



TRANSFORMER 112 POWER

For Domestic POWER (99099012):
Do NOT insert C601

For Export POWER (99099013):
Do NOT insert C600

BILL OF MATERIALS REPORT

BOARD NAME: TRNSFORM REPORT DATE: 18JUL00
ASSEMBLY LEVEL NUMBER: 99099011 DESIGNER: FREDDIE EAVES
PROJECT NUMBER: P9900039
PART PART DESCRIPTION AND
** QTY NAME VALUE NUMBER DEVICE DESIGNATIONS **

Table with 4 columns: QTY, NAME, VALUE, NUMBER, DEVICE DESIGNATIONS. Rows include components like 1 98899011 TRNSFORM PCB, 5 .001M .001M 70330156 .001MF-.5%-50VDC-MY-T&A, 4 .01CD .01CD 70320248 .01MF----20%---1000VDC---CD--T&A, 1 .01DVLNP .01DVLNP 70320104 .01MFD 125VDC DVL.MYLAR +0-20%, 1 .022 .022 70340012 .022MF----10%---50VDC----MON----T&R, 2 .047 .047 70340017 .047MF----10%---50VDC----MON----T&R, 1 .047M .047M 70330136 .047M 5% 50Vdc my T&A, 4 .1 .1 70340100 .1MF----+80-20%--50VDC----AXL----T&R, 4 .1P10 .1P10 70340101 .1MF-----10%----50VDC----MON----T&R, 1 .1W5 .1W5 70250038 .1----5W--10%--WW--AXL, 1 .1X2 70320298 .1MF 250VAC X2 20%, 1 .22SF2 .22SF2 70330114 0.22 MF 5% 100V STCK FILM t&a, 3 .47SF63 .47SF63 70330159 .047 MF 63V STACK FILM T&A, 12 1000R35 1000R35 70320186 1000MF----20%---35VDC--EL--T&A, 8 100K 100K 70240034 100K--1/4W--5%----CF--T&R, 3 100PF 100PF 70340054 100PF-----10%----50VDC---T/C----T&R, 1 100W2 100W2 70250080 100---2W---5%--MF--T&R, 2 100W5 100W5 70250006 100--5W--10%--WW--AXL, 5 10K 10K 70240025 10K---1/4W--5%----CF--T&R, 1 10KACDVB 71190542 71190542 10KA/10KC DUAL MIN VPC W/BRKT

Table with 4 columns: QTY, NAME, VALUE, NUMBER, DEVICE DESIGNATIONS. Rows include components like 1 15K 15K 70240027 15K---1/4W--5%----CF--T&R, 3 1K 1K 70240017 1K---1/4W--5%----CF--T&R, 1 1M 1M 70240039 1M---1/4W--5%----CF--T&R, 6 1N4003 1N4003 70464003 1N4003 200V SILICON DIODE, 19 1N4148 4148 70464148 1N4148 75V 10MA SILICON DIODE, 4 1N4744 4744 70440102 SZG40102 15V 5% ZENER DIODE, 2 2.2K 2.2K 70240020 2.2K--1/4W--5%----CF--T&R, 3 2.7K 2.7K 70240021 2.7K--1/4W--5%----CF--T&R, 1 220K 220K 70240036 220K--1/4W--5%----CF--T&R, 3 220R50 220R50 70320187 220MF-----20%----50VDC---EL--T&A, 10 22K 22K 70240029 22K--1/4W--5%----CF--T&R, 7 22R50 22R50 70320181 22MF-----20%----50VDC---EL--T&A, 1 250W5 250W5 70250002 250--5W--10%--WW--AXL, 4 39PF 39PF 70340052 39PF-----50VDC---T/C----T&R, 7 4.7K 4.7K 70240023 4.7K--1/4W--5%----CF--T&R, 1 4.7W1 4.7W1 70210015 4.7---1W----5%----MO--T&R, 3 437STW 70901891 70901891 SPCR .437(#4).187 SW.AL, 2 4560 4560 70414560 4560 DUAL OP AMP IC, 1 470 470 70240015 470---1/4W--5%----CF--T&R, 1 4700PFY 4700PFY 70320125 4700PF, 400VAC EXP LINE CAP Y, 1 47FP 47FP 70240090 47FP--1/4W--5%----FP--T&R, 5 47K 47K 70240031 47K---1/4W--5%----CF--T&R

Table with 4 columns: QTY, NAME, VALUE, NUMBER, DEVICE DESIGNATIONS. Rows include components like 2 47W1 47W1 70210011 47----1W----5%----MO--T&R, 1 50KBVB 71190511 71190511 50K LIN MIN VPC W/BRACKET, 1 6.8K 6.8K 70240024 6.8K--1/4W--5%----CF--T&R, 1 68K 68K 70240032 68K---1/4W--5%----CF--T&R, 1 BR8ID BR8ID 70400081 100 VOLT-2A-BRIDGE RECT., 4 CLP1183 CLP1183 70901183 FUSECLIP, PC MT - T&A, 1 DG211 DG211 70420211 DG211 CJIC., 1 DIN5PC 71466140 71466140 CONN 5P/180 DEG. R/A PCMNT DIN, 1 DIN8 71466147 71466147 CONN 8 POSITION R/A PCMNT DIN, 3 FMPU 73711811 73711811 M118-171 C.B. FEMALE MOLEX PIN, 1 IECPCB 70901257 70901257 IEC POWER INLET R/A PCB MT., 1 J174 J174 70460174 J-174 30V TO-92 P-CHAN FET T&A, 2 J325 J 70600005 22GA JUMPER WIRES T&R, 3 J35 J 70600005 22GA JUMPER WIRES T&R, 23 J4 J 70600005 22GA JUMPER WIRES T&R, 6 J5 J 70600005 22GA JUMPER WIRES T&R, 1 J6 J 70600005 22GA JUMPER WIRES T&R, 2 J7 J 70600005 22GA JUMPER WIRES T&R, 3 LBRKTI 71500238 71500238 #74 L-BRACKET W/4-40 HOLE, 1 LM3886 LM3886 70403886 68W AUDIO POWER AMP W/MUTE, 2 MMPU 73711812 73711812 R93-12 PN C.B. MALE MOLEX PIN

1 PCMTRASW PCMTRASW 71322377 PC MOUNT PIGHT ANGLE POWER SWITCH

SW6

1 RAMN6322 71466322 JACK MONO R/A 1/4" 6.5MM NINS

J2

1 RASL6223 71466223 jack stereo r/a 1/4" 6.5mm

J3

1 RASN6323 71466323 JACK STEREO R/A 1/4" 6.5MM NINS

J1

2 SPD 73716194 73716194 .250 PC MINT SPADE .093 PCB

P600, P601

12 SPX1U SPX1U 73717003 1 STAKE PIN

J10, J11, J12, J13, J14, J15, J16, J18,
J19, J20, J22, J23

1 SPX8 SPX8 XXXXXXXXX 8 EACH OF STAKE PINS

J9

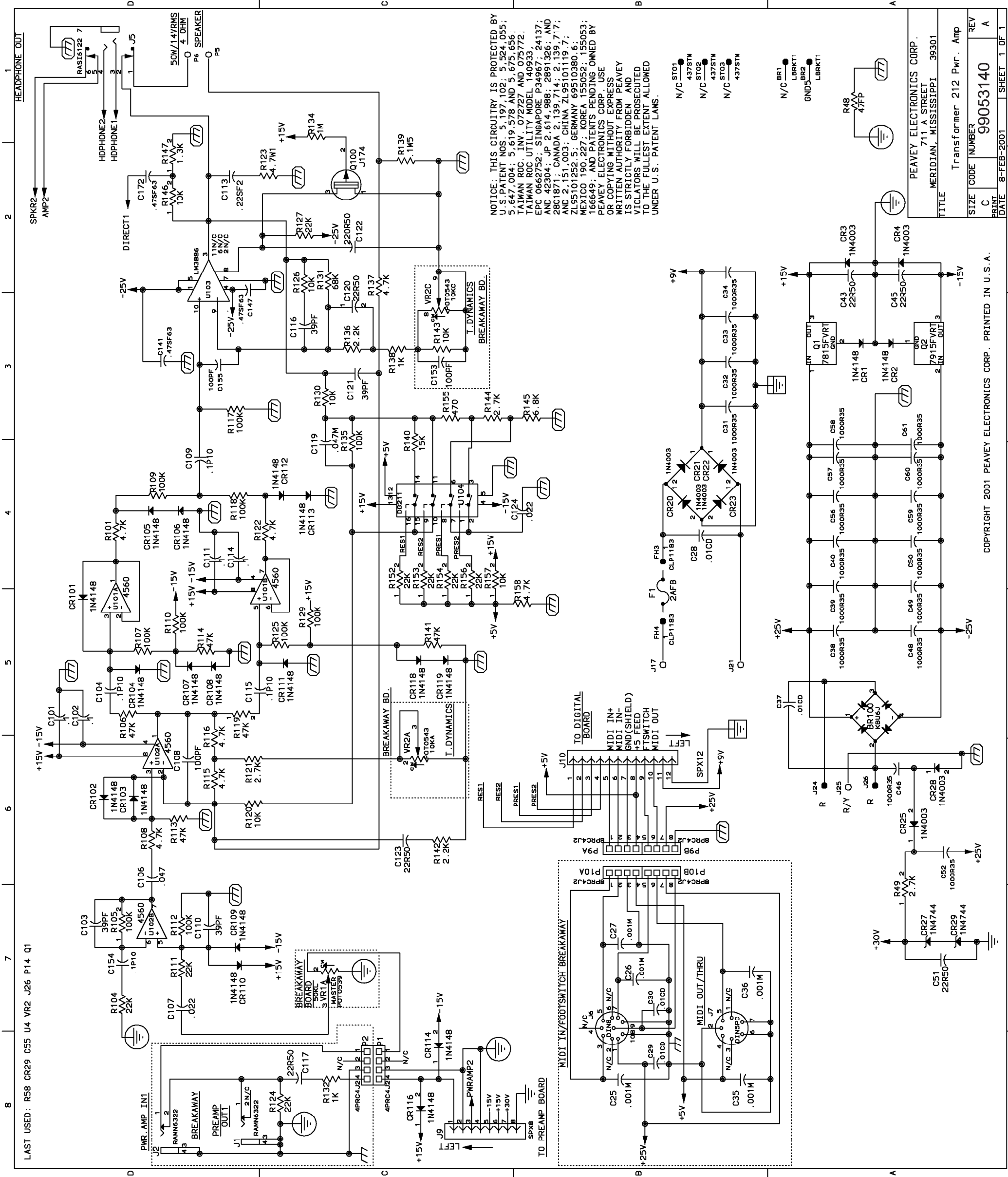
1 WJ8BL7SP WJ8BL7SP 91014074 BL-18G-7"-S205-WJ18

P5

1 WJ8YL7SP WJ8YL7SP 91015078 Y-18G--7"--S205--WJ18

P4

* END OF BILL OF MATERIALS REPORT *



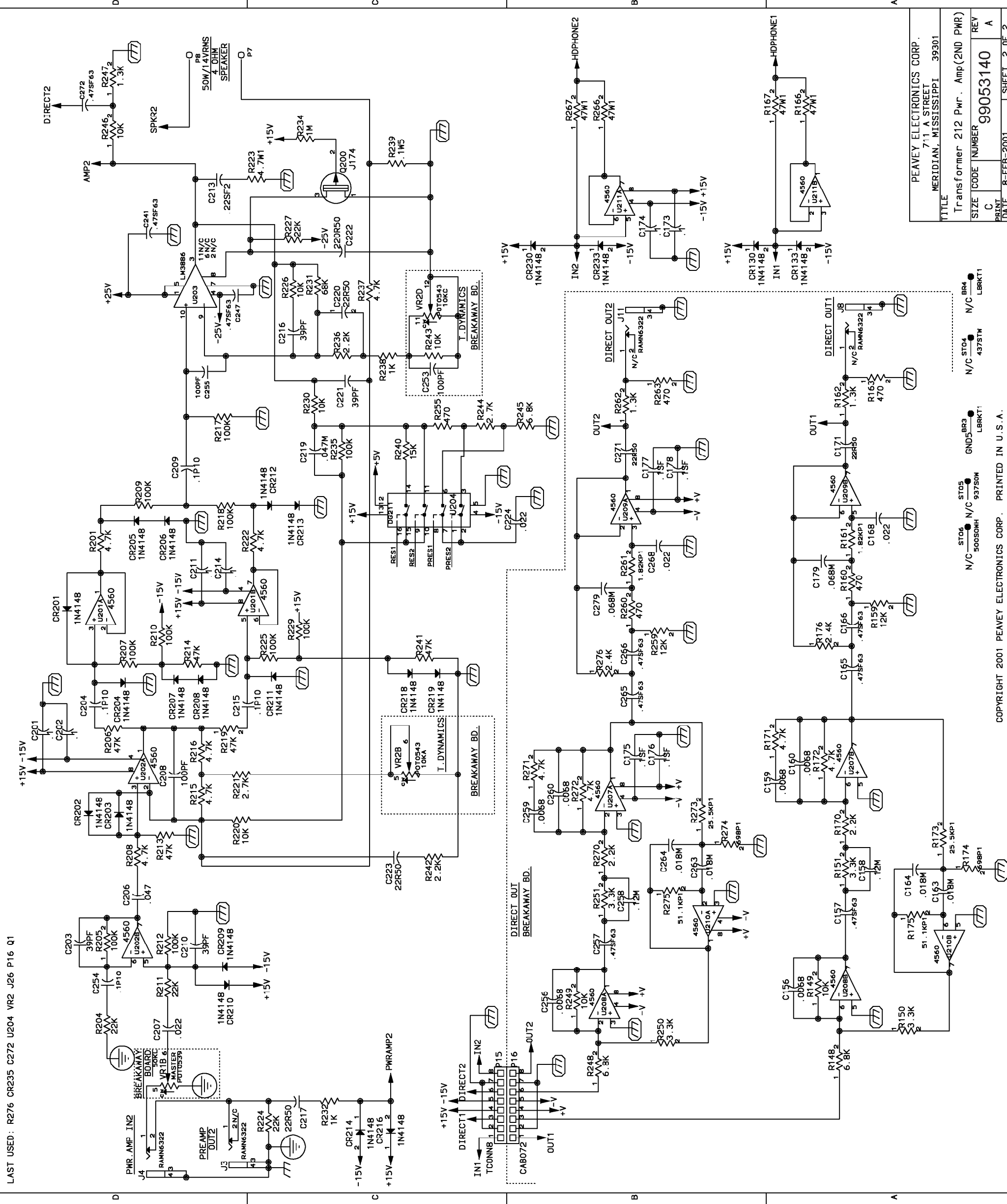
NOTICE: THIS CIRCUITRY IS PROTECTED BY U.S. PATENT NOS. 5,197,102; 5,524,055; 5,647,004; 5,619,578 AND 5,675,656; TAIWAN ROC. INV. 072727 AND 073772; TAIWAN ROC. UTILITY MODEL 140933; EPO 0862752; SINGAPORE P34967; 24137; AND 42304; JP 2,614,988; 2891326; AND 2801871; CANADA 2,139,714; 2,139,717; AND 2,151,003; CHINA ZL95101119.7; ZL95101252.5; GERMANY 155052; 155053; 166649; AND PATENTS PENDING OWNED BY PEAVEY ELECTRONICS CORP. USE OR COPYING WITHOUT EXPRESS WRITTEN AUTHORITY FROM PEAVEY IS STRICTLY FORBIDDEN AND VIOLATORS WILL BE PROSECUTED TO THE FULLEST EXTENT ALLOWED UNDER U.S. PATENT LAWS.

N/C ST01 4375TM
 N/C ST02 4375TM
 N/C ST03 4375TM

N/C BR1 LBRKT1
 GND5 BR2 LBRKT1

PEAVEY ELECTRONICS CORP.	
711 A STREET	
MERIDIAN, MISSISSIPPI 39301	
TITLE	Transformer 212 Pwr. Amp
SIZE	C
CODE	NUMBER
REV	99053140
PRINT	DATE
DATE	8-FEB-2001
SHEET	1 OF 1

LAST USED: R276 CR235 C272 U204 VR2 J26 P16 Q1



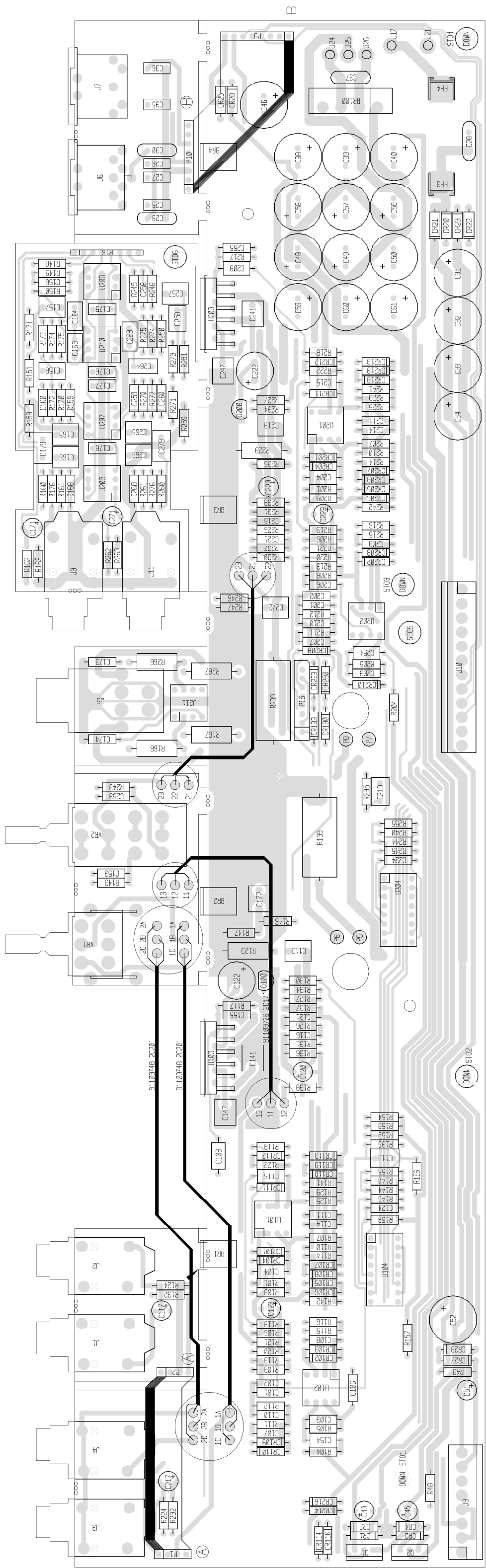
PEAVEY ELECTRONICS CORP.
 7-11 A STREET
 MERIDIAN, MISSISSIPPI 39301

Transformer 212 Pwr. Amp (2ND PWR)
 SIZE CODE NUMBER 99053140
 REV A

PRINT DATE 8-FEB-2001 SHEET 2 OF 2

ST04 N/C 437STM
 ST05 N/C 937SOM
 ST06 500S0MH
 GND5 BR3
 BR4 LBRKT1

COPYRIGHT 2001 PEAVEY ELECTRONICS CORP. PRINTED IN U.S.A.



transformer 212 power

BILL OF MATERIALS REPORT

2 .1W5 .1W5 70250038 .1--5W--10%--WW--AXL

BOARD NAME: TR212PWR REPORT DATE: 17OCT00
 ASSEMBLY LEVEL NUMBER: 99053140 DESIGNER: JAMES HUGHES
 PROJECT NUMBER: P0000032

CBDs
 PART PART DESCRIPTION AND
 ** QTY.NAME VALUE NUMBER DEVICE DESIGNATIONS *****

1	72100614	72100614	PCB	
5	.001M	.001M	70330156 .001MF-5%-50VDC-MY-T&A	
6	.0068	.0068	70340008 .0068MF--10%--50VDC--MON----T&R	
4	.018M	.018M	70330126 .018M 5% 50vdc my T&A	
4	.01CD	.01CD	70320248 .01MF----20%--1000VDC--CD--T&A	
6	.022	.022	70340012 .022MF----10%--50VDC--MON----T&R	
2	.047	.047	70340017 .047MF----10%--50VDC--MON----T&R	
2	.047M	.047M	70330136 .047M 5% 50vdc my T&A	
2	.068M	.068M	70330124 .068M 5% 50vdc my T&A	
10	.1	.1	70340100 .1MF----+80-20%--50VDC--AXL----T&R	
2	.12M	.12M	70330133 .12M 5% 50vdc my T&A	
8	.1P10	.1P10	70340101 .1MF----10%--50VDC--MON----T&R	
4	.1SF	.1SF	70330113 0.10 MFD 10% 100V STCK FILM T&A	

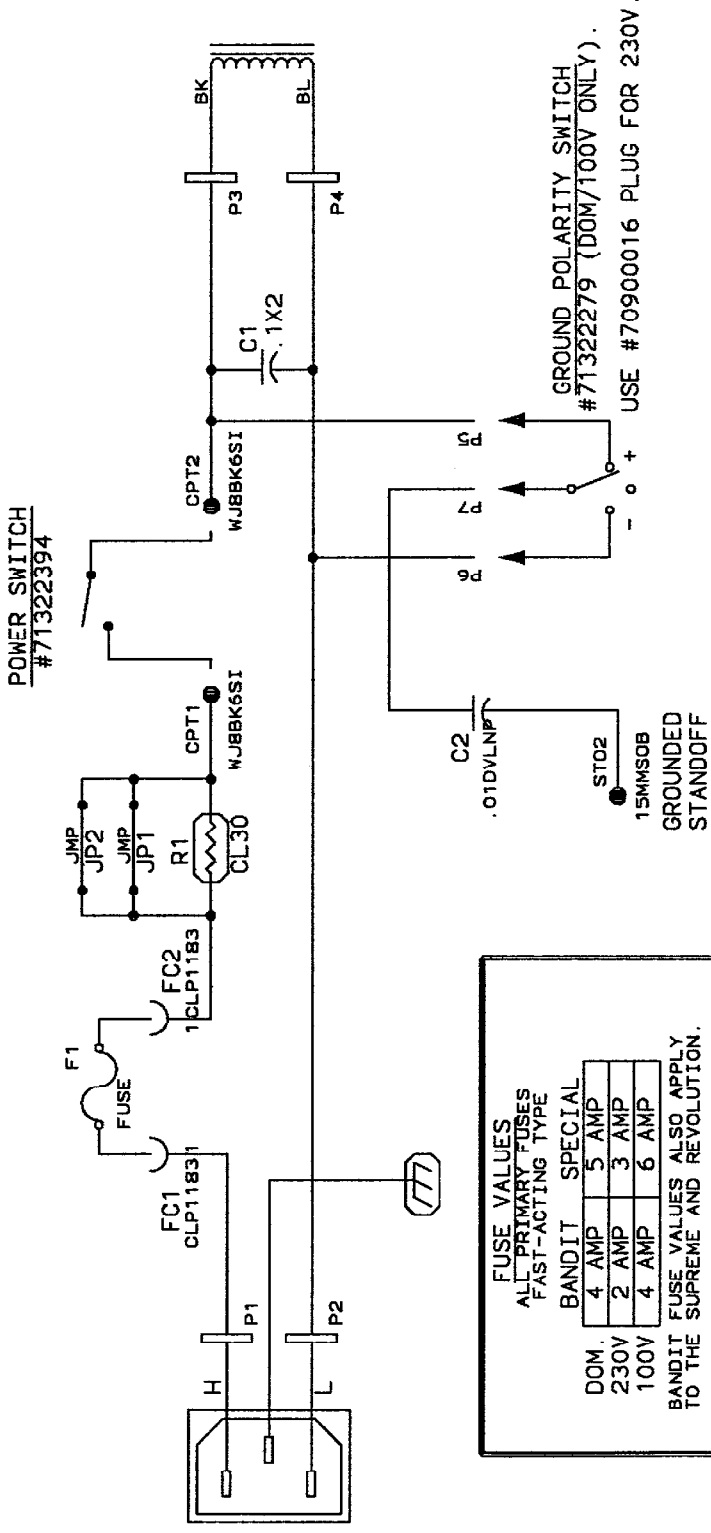
40	IN4148	4148	70464148 IN4148 75V 10MA SILICON DIODE	
CR1, CR2, CR101, CR102, CR103, CR104, CR105, CR106, CR107, CR108, CR109, CR110, CR111, CR112, CR113, CR114, CR116, CR118, CR119, CR130, CR133, CR201, CR202, CR203, CR204, CR205, CR206, CR207, CR208, CR209, CR210, CR211, CR212, CR213, CR214, CR216, CR218, CR219, CR230, CR233				
2	1N4744	4744	70440102 SZG40102 15V 5% ZENER DIODE	
6	2.2K	2.2K	70240020 2.2K--1/4W--5%--CF--T&R	
2	2.4K	2.4K	70240062 2.4K--1/4W--5%--CF--T&R	
5	2.7K	2.7K	70240021 2.7K--1/4W--5%--CF--T&R	
2	220R50	220R50	70320187 220MF----20%--50VDC--EL--T&A	
12	22K	22K	70240029 22K--1/4W--5%--CF--T&R	
6	R104, R111, R124, R127, R152, R153, R154, R156, R204, R211, R224, R227			
11	22R50	22R50	70320181 22MF----20%--50VDC--EL--T&A	
2	25.5KPI	25.5KPI	70240121 25.5K 1% 1/4W MF T&R	
4	3.3K	3.3K	70240022 3.3K--1/4W--5%--CF--T&R	
8	39PF	39PF	70340052 39PF-----50VDC--T/C--T&R	
17	4.7K	4.7K	70240023 4.7K--1/4W--5%--CF--T&R	
8	39PF	39PF	70340052 39PF-----50VDC--T/C--T&R	

2	4.7W1	4.7W1	70210015	4.7W1W----	5%	MO--T&R			
			R123, R223						
4	437STW	70901891	70901891	SPCR, 437(#4),	187	SW,AL			
9	4560	4560	70414560	4560 DUAL OP		AMP IC			
			U101, U102, U201, U202, U207, U208,						
			U209, U210, U211						
6	470	470	70240015	470W----	5%	CF--T&R			
			R155, R160, R163, R255, R260, R263						
1	47FP	47FP	70240090	47FP--1/4W--	5%	FP--T&R			
			R48						
10	47K	47K	70240031	47K---1/4W--	5%	CF--T&R			
			R106, R113, R114, R119, R141, R206,						
			R213, R214, R219, R241						
4	47W1	47W1	70210011	47W----	5%	MO--T&R			
			R166, R167, R266, R267						
2	4PRC4J2	4PRC4J2	70600034	4C PRE-TIN	.100	CTR 4" JUMPER (SPLIT VERSION)			
			P1, P2						
1	500SOWH	70900780	70900780	SPCR, 1/2,R(HW),	187	SW,AL			
			STC6						
2	51.1KPI	51.1KPI	70240045	51.1K-1/4W--	1%	MF--T&R			
			R175, R275						
4	6.8K	6.8K	70240024	6.8K--1/4W--	5%	CF--T&R			
			R145, R148, R245, R248						
2	68K	68K	70240032	68K---1/4W--	5%	CF--T&R			
			R131, R231						
2	698P1	698P1	70240086	698 OHM 1%	1/4W	MF T&R			
			R174, R274						
1	7815FVRT	7815FVRT	70400318	7815 15V 1A POS	TO-220	RG VERT MNT INS			
			Q1						
1	7915FVRT	7915FVRT	70400319	7915 15V 1A NEG	TO 220	RG VERT MNT INS			
			Q2						
2	8PRC4J2	8PRC4J2	70600033	8C PRE-TIN	.100	CTR 4" JUMPER (SPLIT VERSION)			
			P9, P10						
1	937SOW	70900786	70900786	SPACER, 15/16,R(#4),	187	SWAGE ALUM.			
			STO5						
			1 CAB072	CAB072	70600072	8C .1" VERT RIBBON CABLE ASSY 4"			
			P16						
			2 CLP1183	CLP1183	70901183	FUSECLIP, PC MT. - T&A			
			FH3, FH4						
			2 DG211	DG211	70420211	DG211 CJIC.			
			U104, U204						
			1 DIN5PC	DIN5PC	71466140	71466140 CONN 5P/180 DEG. R/A PCMNIT DIN			
			J7						
			1 DIN8	DIN8	71466147	71466147 CONN 8 POSITION R/A PCMNIT DIN			
			J6						
			3 FMPU	FMPU	73711811	73711811 M118-171 C.B. FEMALE MOLEX PIN			
			J17, J21, J25						
			2 J174	J174	70460174	70460174 J-174 30V TO-92 P-CHAN FET T&A			
			Q100, Q200						
			1 KBU6J	KBU6J	70400605	70400605 6A, 600V, INLINE DIODE BRIDGE RECTIFIER			
			BR100						
			4 LBRKT1	LBRKT1	71500238	71500238 #74 L-BRACKET W/4-40 HOLE			
			BR1, BR2, BR3, BR4						
			2 LM3886	LM3886	70403886	70403886 68W AUDIO POWER AMP W/MUTE			
			U103, U203						
			2 MMPU	MMPU	73711812	73711812 R93-12 PN C.B. MALE MOLEX PIN			
			J24, J26						
			1 POT0539	POT0539	71190539	71190539 50KL DUAL MIN VPC W/BRKT			
			VR1						
			1 POT0543	POT0543	71190543	71190543 10KAX2/10KCX2 MIN VPC W/BRKT			
			VR2						
			6 RAMN6322	RAMN6322	71466322	71466322 JACK MONO R/A 1/4" 6.5MM NINS			
			J1, J2, J3, J4, J8, J11						
			1 RAS16122	RAS16122	71466122	71466122 S-G4116 INS. STEREO W/ ISOLATED SW.			
			J5						
			1 SPX12	SPX12	SPX12	SPX12 XXXXXXXX 12 EACH OF STAKE PINS			
			J10						
			1 SPX8	SPX8	SPX8	SPX8 XXXXXXXX 8 EACH OF STAKE PINS			
			J9						
			1 TCONN8	TCONN8	73716721	73716721 8C-WTB-HDR-SHRD-.098"-.11N			
			P15						
			1 WJ8BL12	WJ8BL12	91014127	91014127 BL-18G-12"-CPT-205SPD			
			P7						
			1 WJ8BL7SP	WJ8BL7SP	91014074	91014074 BL-18G-7"-S205-WJ18			
			P5						
			1 WJ8YL12	WJ8YL12	91015128	91015128 YL-18G-12"-CPT-205SPD			
			P8						
			1 WJ8YL7SP	WJ8YL7SP	91015078	91015078 Y-18G--7"-S205--WJ18			
			P6						

			* END OF BILL OF MATERIALS REPORT *						

8 7 6 5 4 3 2 1

D C B A



FUSE VALUES
ALL PRIMARY FUSES
FAST-ACTING TYPE

BANDIT		SPECIAL	
DOM.	4 AMP	5 AMP	
230V	2 AMP	3 AMP	
100V	4 AMP	6 AMP	

BANDIT FUSE VALUES ALSO APPLY TO THE SUPREME AND REVOLUTION.

NOTICE:
R1 INSERTED ON SPECIAL ONLY.
JP1 AND JP2 INSERTED ON BANDIT, REVOLUTION, AND SUPREME ONLY.
C2 INSERTED ON DOMESTIC AND 100V UNITS ONLY.

N/C ST01
15MS0W

GROUND POLARITY SWITCH
#71322279 (DOM/100V ONLY).
USE #70900016 PLUG FOR 230V.

Peavey Electronics Corp.
711 A Street
Meridian, MS 39301

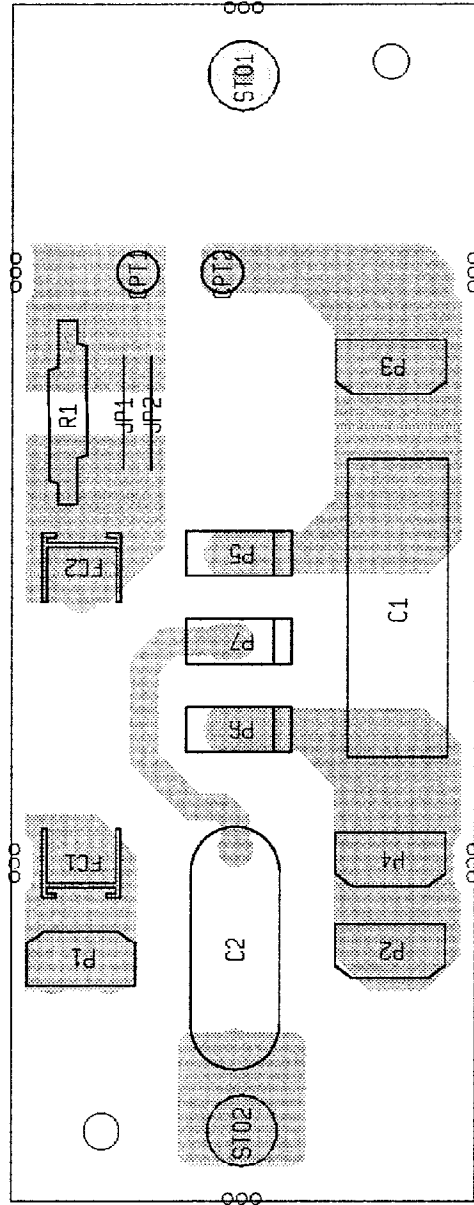
TITLE
TRANSTUBE PRIMARY BOARD

SIZE	CODE	NUMBER	REV
A	JCF	99053030	A
PRINT	DATE		SHEET
	2-SEP-99		1 OF 1

8 7 6 5 4 3 2 1

PARTS NOT PLACED IN 99053030	R1
------------------------------------	----

PARTS NOT PLACED IN 99053031	C2, R1
	F5, P6, P7



TRANSTUBE PRIMARY

PARTS NOT PLACED IN 99053032	JP1, JP2
------------------------------------	----------

PARTS NOT PLACED IN 99053033	C2, JP1, JP2
	P5, P6, P7

ASS'Y P/N	BANDIT / REV DOM, PRIMARY	99053030
	BANDIT / REV EXP, PRIMARY	99053031
	SPECIAL DOM, PRIMARY	99053032
	SPECIAL EXP, PRIMARY	99053033

BILL OF MATERIALS REPORT

BOARD NAME: TTPRIMARY REPORT DATE: 24NOV99

HUGHES ASSEMBLY LEVEL NUMBER: 99053030 DESIGNER: TIM TAYLOR/JAMES
PROJECT NUMBER: P9800153

CBDS
PART PART DESCRIPTION AND

** QTY. NAME VALUE NUMBER DEVICE DESIGNATIONS *****

1 98853030 98853030 98853030 PCB

1 .01DVLNP .01DVLNP 70320104 .01 MFD 125VDC DVL MYLAR +0-20%

C2

1 .1X2 70320298 70320298 .1MF 250VAC X2 20%

C1

1 15MMSOB 70901889 70901889 SPACER, 15MM, .187 BRASS

STO2

1 15MSOW 70901837 70901837 SPACER, 15mm-r(#4) .187 swage alum.

STO1

1 CL30 CL30 70240202 INRUSH CURRENT LIMITER

R1

2 CLP1183 CLP1183 70901183 FUSECLIP, PC MT - T&A

FC1, FC2

2 JMP JMP 70600005 22 GA. JUMPER WIRE T&R

JP1, JP2

4 SPD 73716194 73716194 .250 PC MNT SPADE .093 PCB

P1, P2, P3, P4

3 SPX1U SPX1U 73717003 1 STAKE PIN

P5, P6, P7

2 WJ8BK6SI WJ8BK6SI 91090305 BK-18G-6"-CPT-SI187

CPT1, CPT2