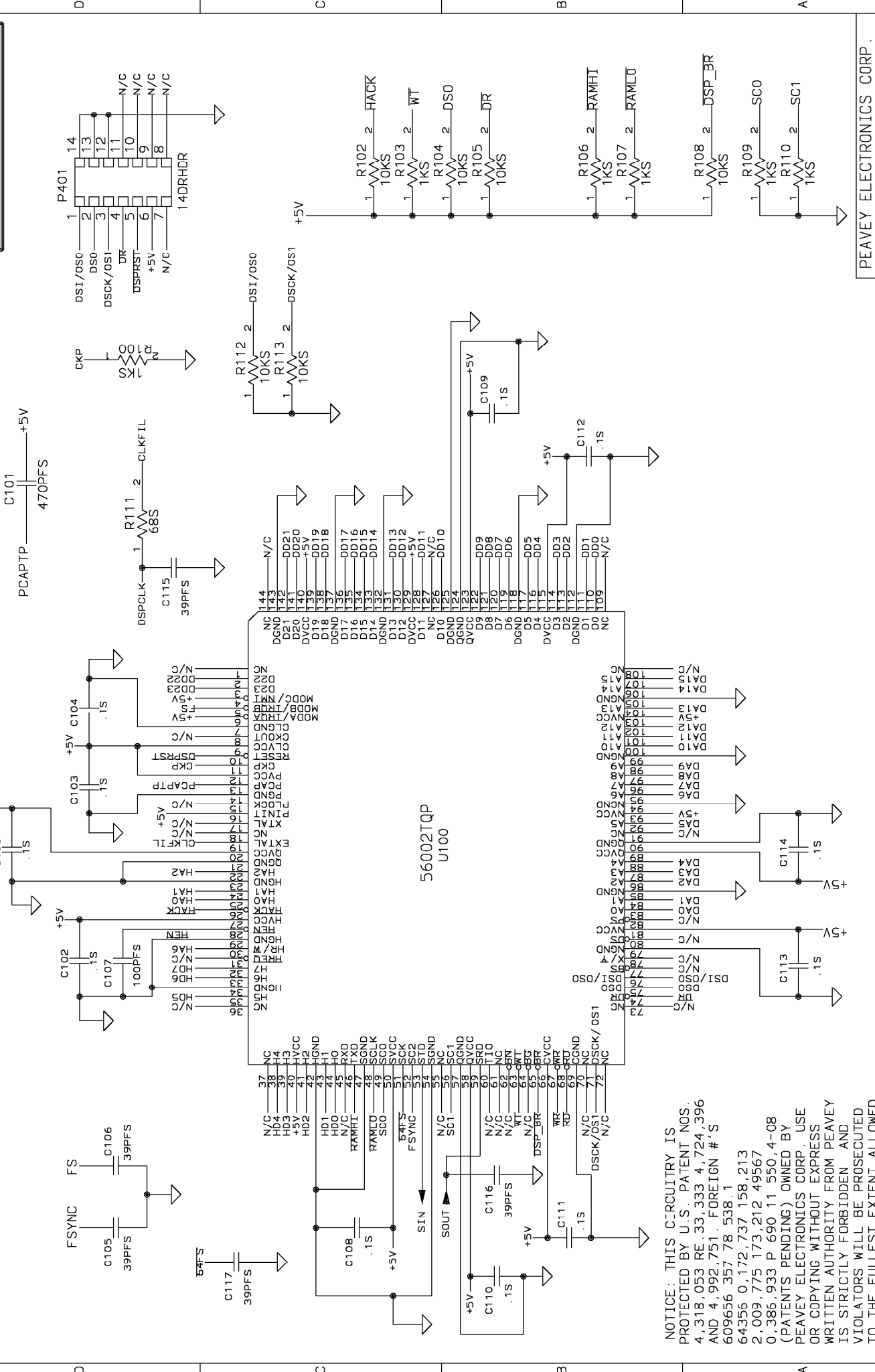


CONFIDENTIAL



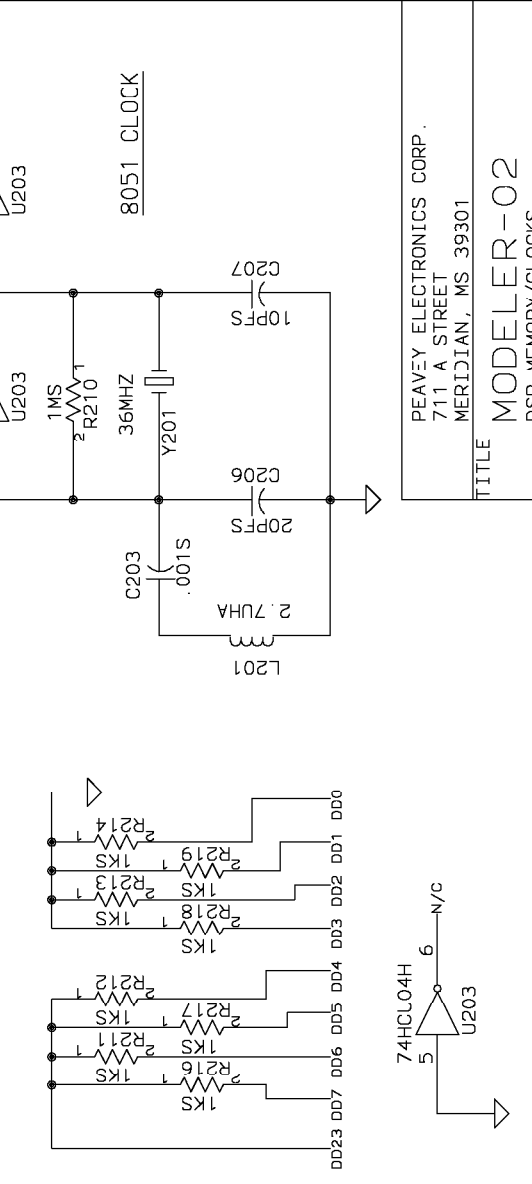
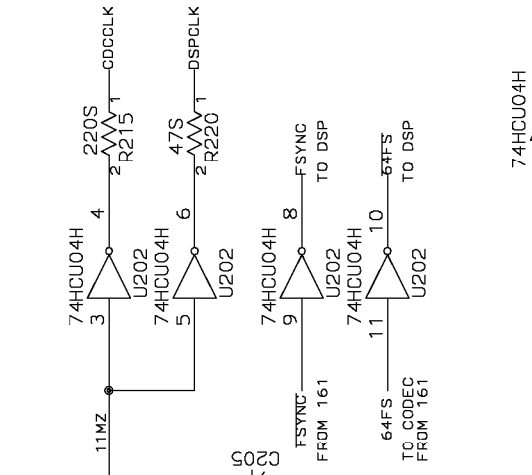
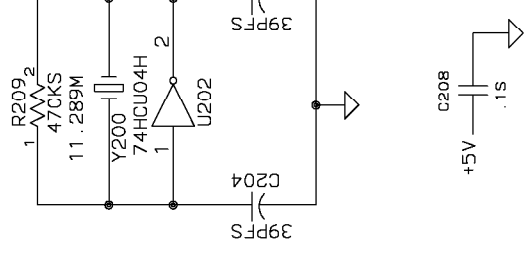
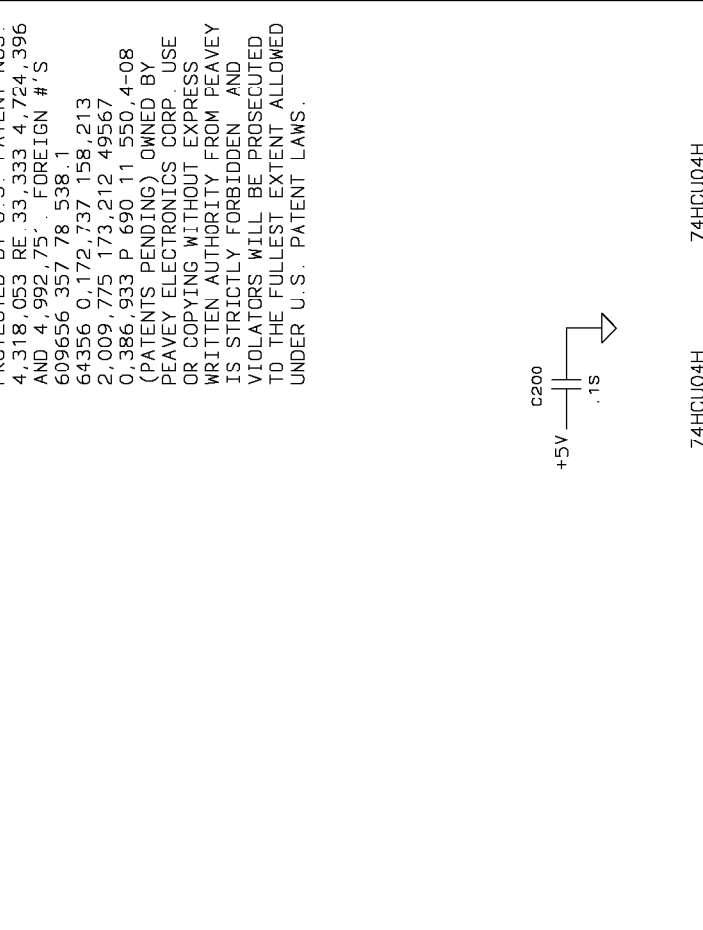
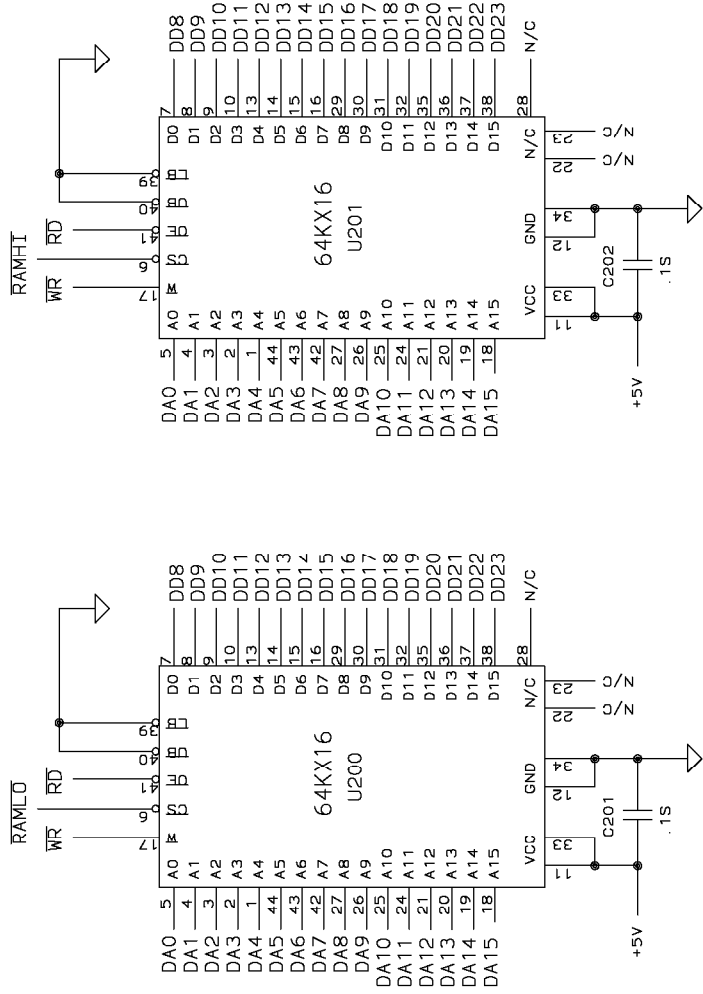
NOTE: THIS CIRCUITRY IS PROTECTED BY U.S. PATENT NOS. 4,318,053 RE.33,333 4,724,396 AND 4,992,751. FOREIGN #'S 609656 357 78 538.1 64356 0,172,737 158,213 2,009,775 173,212 49567 0,386,933 P 690 11 550,4-08 (PATENTS PENDING) OWNED BY PEAVEY ELECTRONICS CORP USE OR COPYING WITHOUT EXPRESS WRITTEN AUTHORITY FROM PEAVEY IS STRICTLY FORBIDDEN AND VIOLATORS WILL BE PROSECUTED TO THE FULLEST EXTENT ALLOWED UNDER U.S. PATENT LAWS.

NOTE HIGHEST REF C116

PEAVEY ELECTRONICS CORP.
TITLE TRANSFORMER 112/212 - DSP
SIZE B
CODE ASSM 99099002
REV
DATE 06-OCT-00 SHEET 01 OF 13

NOTICE: THIS CIRCUITRY IS PROTECTED BY U.S. PATENT NOS. 4,318,053 RE 33,333 4,724,396 AND 4,992,757 FOREIGN #'S 609656 357 78 538.1 64356 0,172,737 158,213 2,009,775 173,212 49567 0,386,933 P 690 11 550,4-08 (PATENTS PENDING) OWNED BY PEAVEY ELECTRONICS CORP. USE OR COPYING WITHOUT EXPRESS WRITTEN AUTHORITY FROM PEAVEY IS STRICTLY FORBIDDEN AND VIOLATORS WILL BE PROSECUTED TO THE FULLEST EXTENT ALLOWED UNDER U.S. PATENT LAWS.

1 2 3 4 5 6 7 8



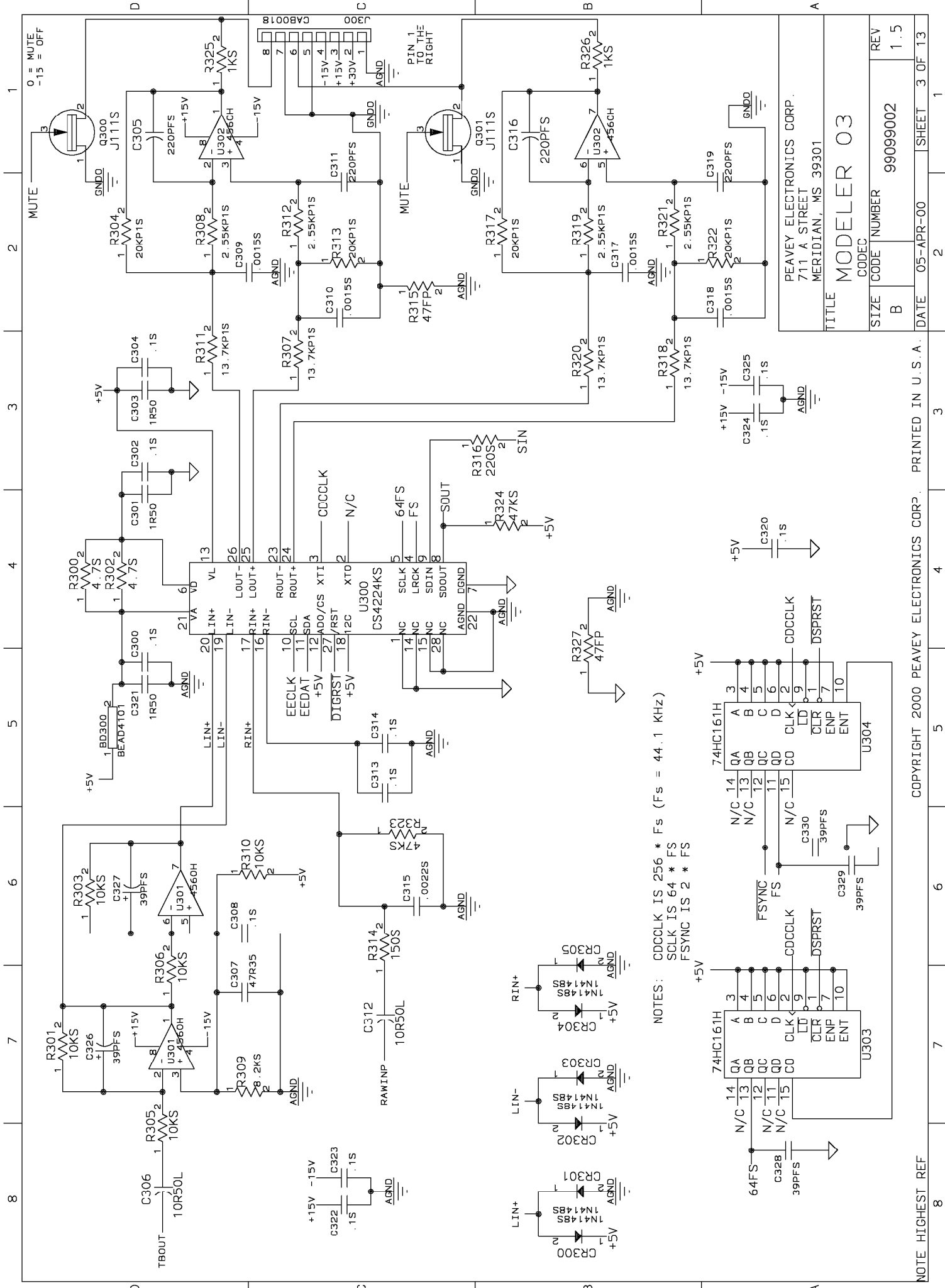
NOTE HIGHEST REF

COPYRIGHT 2000 PEAVEY ELECTRONICS CORP. PRINTED IN U.S.A.

DATE 16-NOV-99 SHEET 2 OF 13

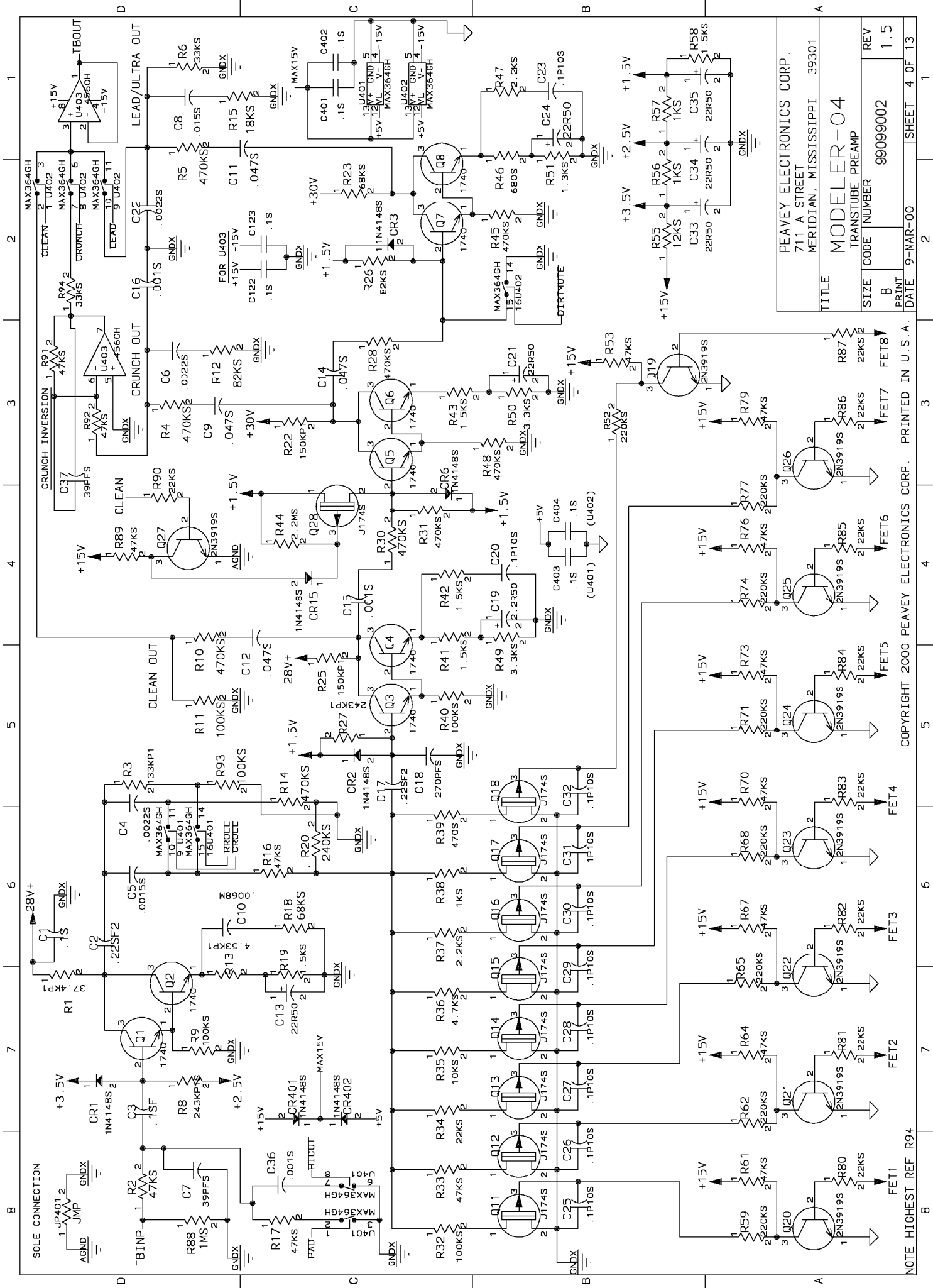
PEAVEY ELECTRONICS CORP.  
711 A STREET  
MERIDIAN, MS 39301

TITLE		MODELER-02	
SIZE		B	
CODE		99099002	
REV		REV	



NOTES: CDDCLK IS  $256 * F_s$  ( $F_s = 44.1 \text{ KHz}$ )  
 SCLK IS  $64 * F_s$   
 FSYNC IS  $2 * F_s$

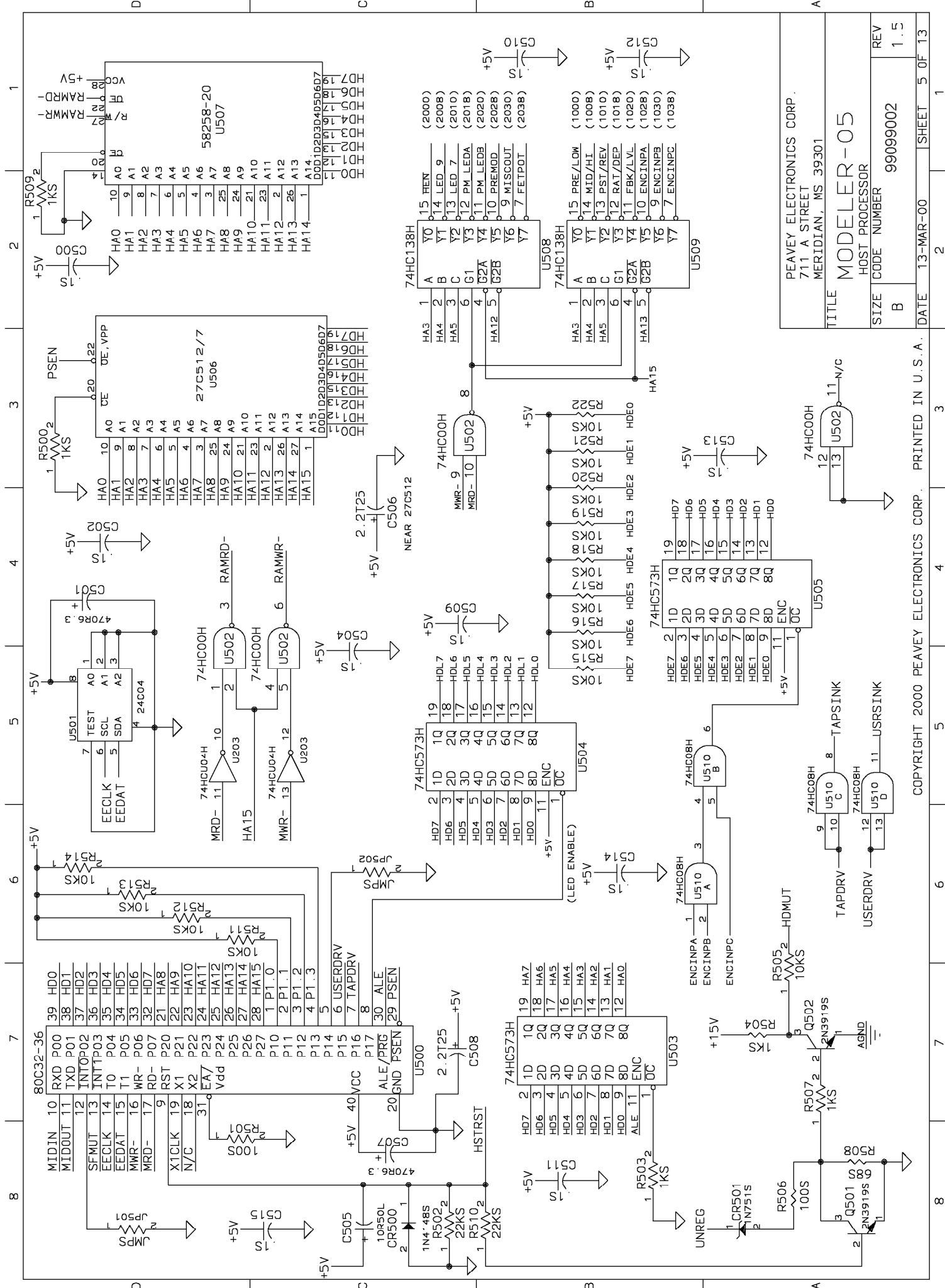
PEAVEY ELECTRONICS CORP. 711 A STREET MERIDIAN, MS 39301	
TITLE	MODELER 03
SIZE	B
CODE	99099002
NUMBER	
DATE	05-APR-00
SHEET	3 OF 13
REV	1.5



NOTE HIGHEST REF R94

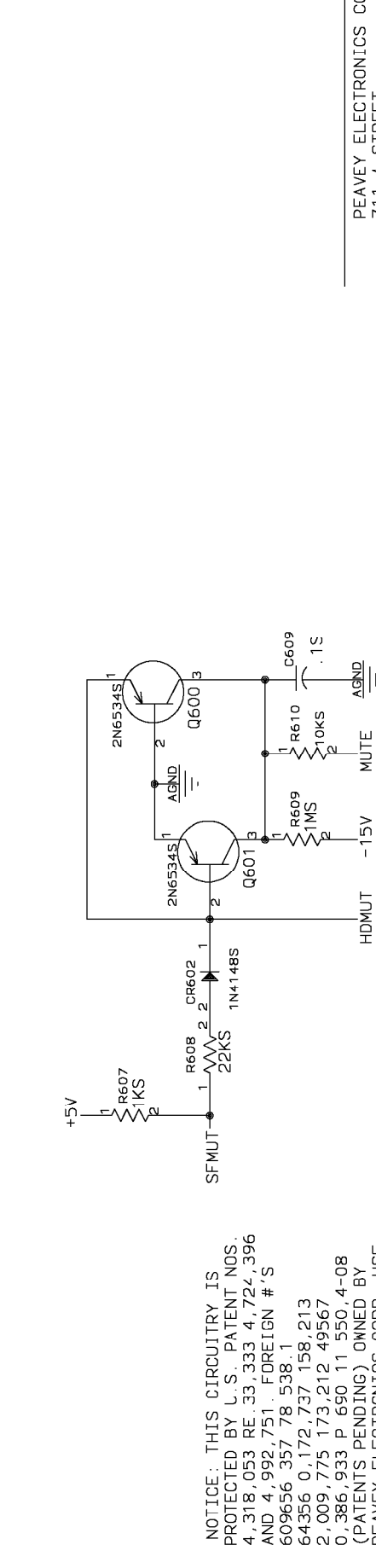
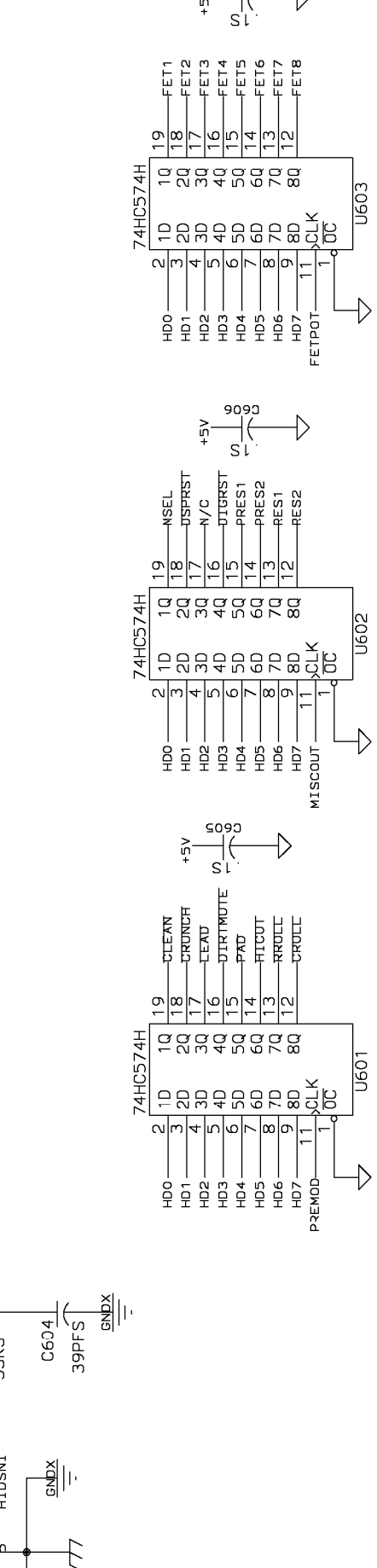
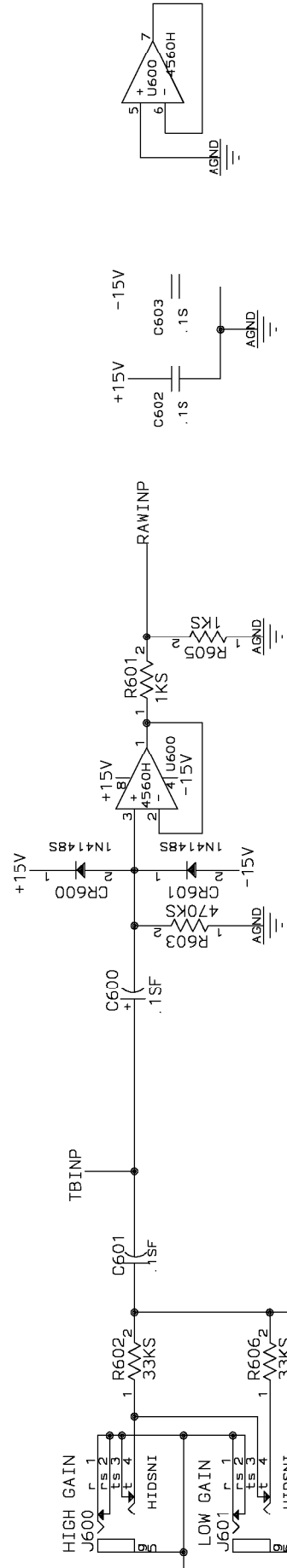
COPYRIGHT 2000 PEAVEY ELECTRONICS CORP. PRINTED IN U.S.A.

DATE	9-MAR-00	SHEET	4 OF 13
PRINT	B	REV	1.5
SIZE	CODE	NUMBER	99099002
TITLE			
MODELER-04			
TRANSISTUBE PREAMP			
PEAVEY ELECTRONICS CORP.			
711 A STREET			
MERIDIAN, MISSISSIPPI 39301			



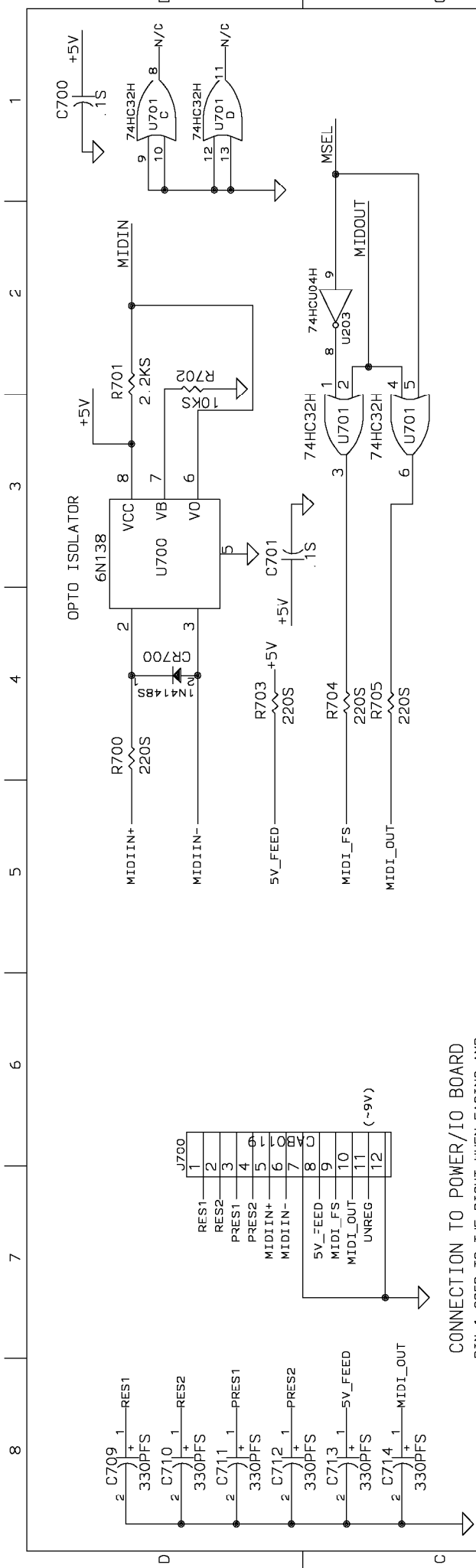
PEAVEY ELECTRONICS CORP. 711 A STREET MERIDIAN, MS 39301	
TITLE <b>MODELER-05</b>	
SIZE B	HOST PROCESSOR
CODE NUMBER 99099002	REV 1.5
DATE 13-MAR-00	SHEET 5 OF 13

COPYRIGHT 2000 PEAVEY ELECTRONICS CORP. PRINTED IN U.S.A.



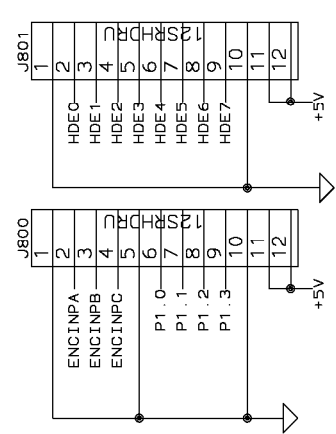
NOTICE: THIS CIRCUITRY IS PROTECTED BY U.S. PATENT NOS. 4,318,053 RE.33,333 4,724,396 AND 4,992,751 FOREIGN #'S 609656 357 78 538.1 64356 0,172,737 158,213 2,009,775 173,212 49567 0,386,933 P 690 11 550,4-08 (PATENTS PENDING) OWNED BY PEAVEY ELECTRONICS CORP. USE OR COPYING WITHOUT EXPRESS WRITTEN AUTHORITY FROM PEAVEY IS STRICTLY FORBIDDEN AND VIOLATORS WILL BE PROSECUTED TO THE FULLEST EXTENT ALLOWED UNDER U.S. PATENT LAWS.

PEAVEY ELECTRONICS CORP. 711 A STREET MERIDIAN, MS 39301	
TITLE MODELER 06	
MONO INPUT SECTION	REV 1.5
SIZE B	NUMBER 99099002
DATE 29-NOV-99	SHEET 6 OF 13

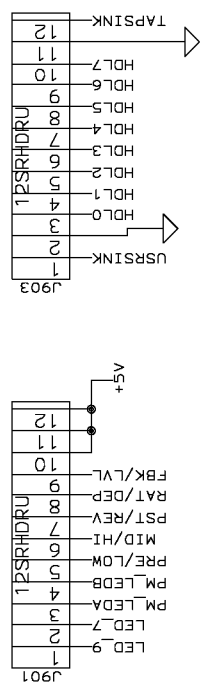


**CONNECTION TO POWER/IO BOARD**  
PIN 1 GOES TO THE RIGHT WHEN FACING AMP

**ENCODER BOARD CONNECTIONS**



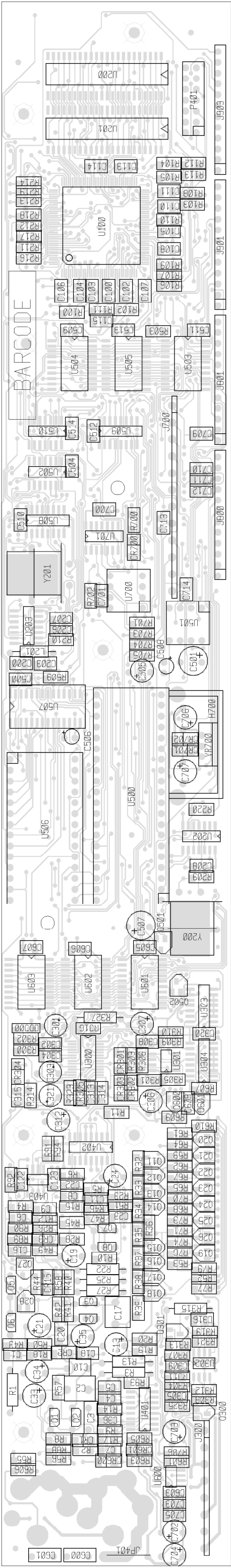
**LED BOARD CONNECTIONS**



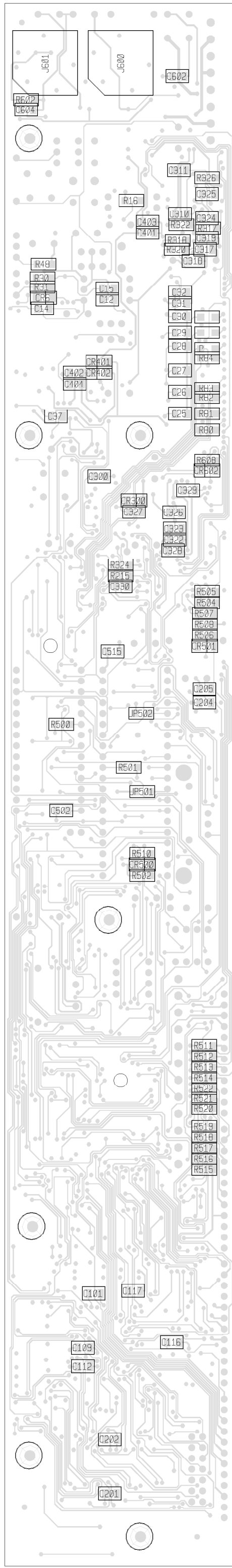
- N/C 250STM
- S0701 250STM
- N/C 250STM
- S0702 250STM
- N/C 250STM
- S0703 250STM
  
- N/C 250STM
- S0705 250STM
  
- N/C 250STM
- S0707 250STM
- N/C 250STM
- S0708 250STM
- N/C 250STM
- S0705 250STM

PEAVEY ELECTRONICS CORP. 711 A STREET MERIDIAN, MS 39301	
TITLE <b>MODELER-07</b>	
SIZE B	CODE NUMBER 99099002
REV 1.1	DATE 05-OCT-00
SHEET 7 OF 13	





## TRANSSTUBE TRANSFORMER 112/212 PRE-AMP PRIMARY-SIDE



## TRANSSTUBE TRANSFORMER 112/212 PRE-AMP SECONDARY-SIDE



BILL OF MATERIALS REPORT

1 1.3KS 1.3K 70200062 1.3K--1/8W--5%---SMT

8 1740 1740 70401740 2SCI740SLN 40V,1A,NPN, LOW NOISE T&A

R314

BOARD NAME: TR112PRE REPORT DATE: 23OCT00

ASSEMBLY LEVEL NUMBER: 99099001 DESIGNER: GARY GOODIN

PROJECT NUMBER: P9900099

CBDS PART PART DESCRIPTION AND

\*\* QTY.NAME VALUE NUMBER DEVICE DESIGNATIONS \*\*\*\*\*  
 \*\*\*\*\*

1 72100660 72100660 ECN#0019 PCB

5 .0015S .0015 70300037 .0015MF X7R 50V 10% SMT 1206

C5, C309, C310, C317, C318

4 .001S .001 70300036 .001MF X7R 50V 10% SMT 1206

C15, C16, C36, C203

4 .0022S .0022 70300019 .0022MF-X7R-----10%--SMT

C4, C6, C22, C315

1 .0068M .0068M 70330117 .0068mf--5%--50vdc--my--t&a

C10

1 .015S .015 70300024 .015UF--SURFACE MNT--1206 PACK

C8

4 .047S .047 70300027 .047----SURFACE MNT--1206 PACK

C9, C11, C12, C14

10 .1P10S .1p10 70300028 .1mf x7r 50v 10% 1206

C20, C23, C25, C26, C27, C28, C29, C30,

C31, C32

53 .1S .1 70300035 .1MF Z5U 50V 20% SMT 1206

C1, C100, C102, C103, C104, C108, C109,

C110, C111, C112, C113, C114, C122,

C123, C200, C201, C202, C208, C300,

C302, C304, C308, C313, C314, C320,

C322, C323, C324, C325, C401, C402,

C403, C404, C500, C502, C504, C509,

C510, C511, C512, C513, C514, C515,

C602, C603, C605, C606, C607, C609,

C700, C701, C703, C705

3 .1SF .1SF 70330113 0.10 MFD 10% 100V STCK FILM T&A

C3, C600, C601

2 .22SF2 .22SF2 70330114 0.22 MF 5% 100V STCK FILM t&a

C2, C17

R51

5 1.5KS 1.5K 70200020 1.5K--1/8W--5%---smt

R19, R41, R42, R43, R58

5 100KS 100K 70200034 100K--1/8W--5%---SMT

R9, R11, R32, R40, R93

1 100PFS 100PF 70300044 100PF COG 50V 5% SMT 1206

C107

2 100S 100 70200013 100--1/8w--5%---smt

R501, R506

27 10KS 10K 70200028 10K--1/8W--5%---SMT

R35, R102, R104, R105, R108, R112, R113,

R301, R303, R305, R306, R310, R505,

R511, R512, R513, R514, R515, R516,

R517, R518, R519, R520, R521, R522,

R610, R702

1 10PFS 10PF 70300010 10PF COG 50V 5% SMT 1206

C207

4 10R50L 10R50L 70320185 10MF-----20%---50VDC---LL--T&A

C306, C312, C505, C708

1 11.289M 11.289M 70800026 11.2894 MHZ CRYSTAL

Y200

2 12KS 12K 70200029 12K--1/8W--5%---SMT

R55, R706

4 12SRHDRU 73717071 73717071 12 PIN .100 S/R HEADER .135/.360

J800, J801, J901, J903

4 13.7KPI 13.7KPI 70200106 13.7K 1/8W--1%---SMT 1206

R307, R311, R318, R320

1 133KPI 133KPI 70240133 133K 1% 1/4W MF T&R

R3

1 14DRHDR 73717040 73717040 CONN 14-PIN 0.100 H

P401

2 150KPI 150KPI 70241035 150K--1/4W--1%---MF--T&R

R22, R25

1 150S 150 70200014 150--1/8w--5%---smt

R308, R312, R319, R321

4 20KPI 20Kp1 70200059 20k--1/8W--1%---SMT

L201

Q1, Q2, Q3, Q4, Q5, Q6, Q7, Q8

1 18KS 18K 70200030 18K--1/8W--5%---SMT

R15

27 1KS 1K 70200019 1k--1/8w--5%---smt

R38, R56, R57, R100, R103, R106, R107,

R109, R110, R211, R212, R213, R214,

R216, R217, R218, R219, R325, R326,

R500, R503, R504, R507, R509, R601,

R605, R607

3 1MS 1M 70200036 1M--1/8W--5%---SMT

R88, R210, R609

1 1N4001S 1N4001 70418103 1N4001 50V 1.6A DIODE SMT

CR701

19 1N4148S 4148 70418026 1N4148 (LL34) DIODE SMT

CR1, CR2, CR3, CR6, CR15, CR300, CR301,

CR302, CR303, CR304, CR305, CR401,

CR402, CR500, CR600, CR601, CR602,

CR700, CR702

1 1N751S 1N751 70418027 5.1V, 5%, 500MW, ZENER, SMT (LL34)

CR501

3 1R50 1R50 70320261 1MF 20% 50 VDC EL T&A

C301, C303, C321

3 2.2KS 2.2K 70200021 2.2K--1/8W--5%---smt

R37, R47, R701

1 2.2MS 2.2M 70200037 2.2M--1/8W--5%---SMT

R44

1 2.2R50 2.2R50 70320180 2.2MF-----20%---50VDC---EL--T&A

C19

2 2.2T25 2.2T25 70340087 2.2 MF,10%,25VDC,TANTALUM T&A

C506, C508

4 2.55KPI 2.55KPI 70200111 2.55k--1/8W--1%---SMT

R308, R312, R319, R321

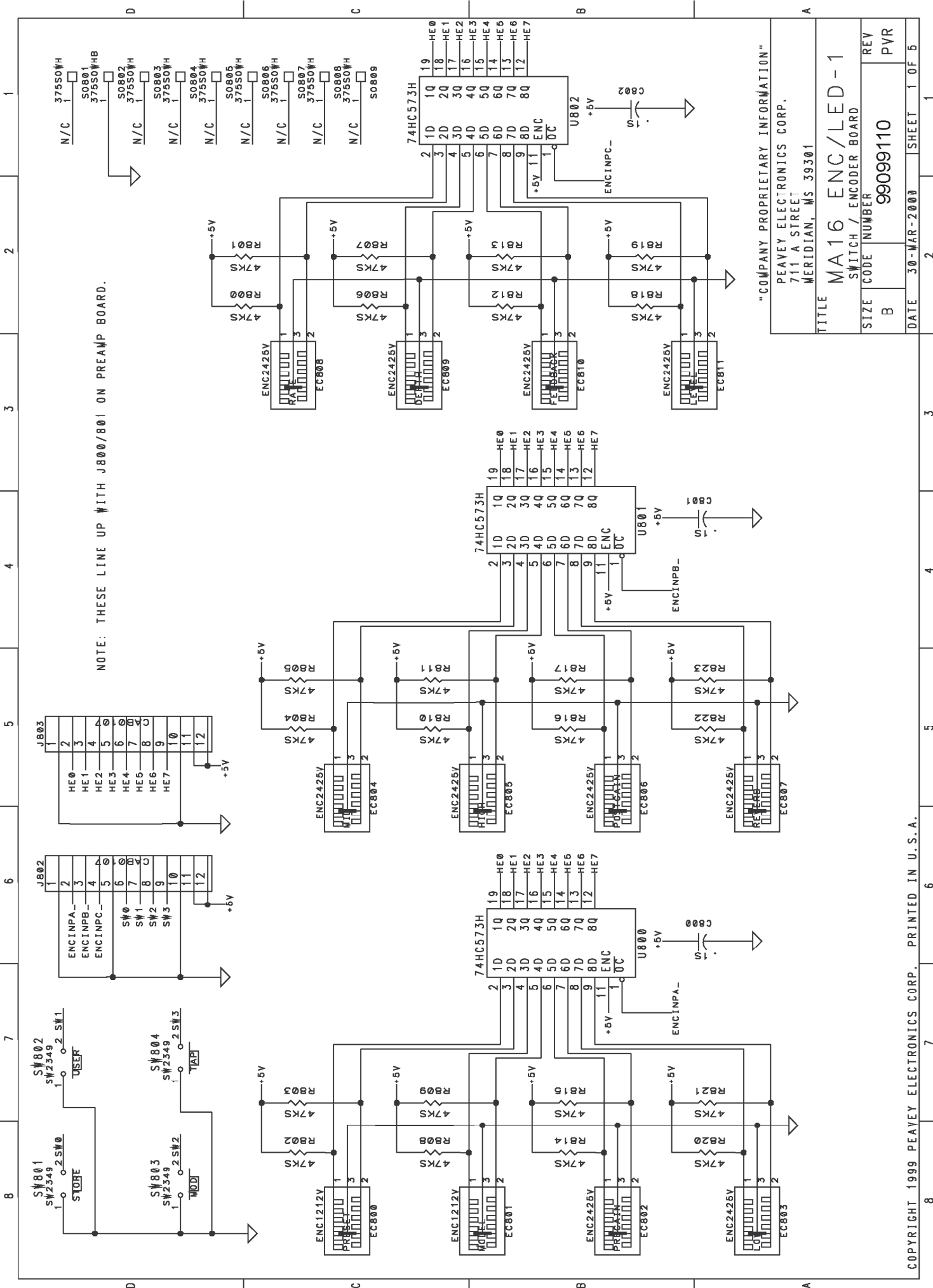
1 2.7UHA 2.7UH 70502027 2.7UH INDUCTOR T&R

L201



1 7805VERT 7805VERT 70427805 VR CT REG VERTICAL MNT  
VR700  
1 8.2KS 8.2K 70200042 8.2K--1/8W--5%--SMT  
R309  
1 80C32-36 80C32-36 70400030 80C32 36MHZ MICROPROC.  
U500  
2 82KS 82K 70200112 82K-1/8W-5%SMT-1206  
R12, R26  
1 BEAD4101 FB 70504101 BLM41A01-PT FERRITE CHIP  
BD300  
1 CAB0018 70600018 70600018 8C .156 - 5" JMPR W/FEED-TO CONN.  
J300  
1 CAB0119 70600119 70600119 12C PRE-TIN .156 - 5" CONN.  
J700  
1 CS4224KS CS4224K 70418199 STEREO 24-BIT CODEC SMT SSOP  
U300  
2 HIDSNI 71466217 71466217 STEREO HID JACK NINS W/SPD  
J600, J601  
1 HS0629 70900629 70900629 AAVID VERTICAL TO-220 HEATSINK  
H700  
2 J111S J111 70418138 J111 N-CH JFET SOT23-SMT  
Q300, Q301  
9 J174S J174 70418139 J-174 P-CHNL JFET 30V SOT-23  
Q11, Q12, Q13, Q14, Q15, Q16, Q17, Q18,  
Q28  
1 JMP JMP 70600005 22 GA. JUMPER WIRE T&R  
JP401  
2 JMPS JMP 70200010 0.0--1/8W--5%--smt  
JP501, JP502  
2 MAX364GH MAX364 70418160 MAX364 QUAD ANALOG SW - SMT  
U401, U402

NOTE: THESE LINE UP WITH J800/801 ON PREAMP BOARD.

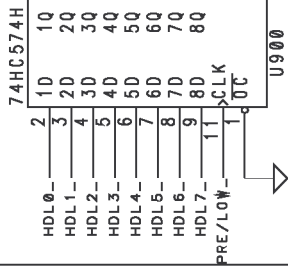


"COMPANY PROPRIETARY INFORMATION"  
 PEAVEY ELECTRONICS CORP.  
 711 A STREET  
 MERIDIAN, MS 39301

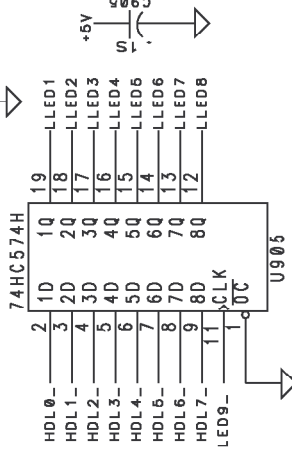
TITLE MA16 ENC/LED-1  
 SWITCH / ENCODER BOARD  
 SIZE B  
 CODE NUMBER 99099110  
 REV PVR

DATE 30-MAR-2000 SHEET 1 OF 5

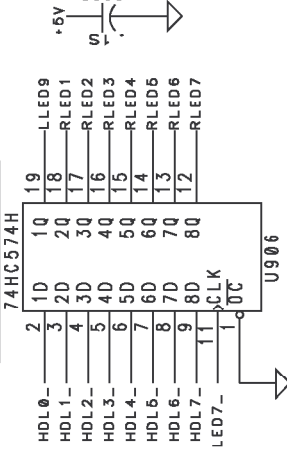
CATHODE CURRENT SINKING....->



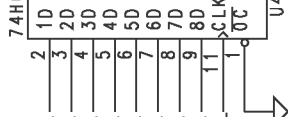
ANODE DRIVE A:



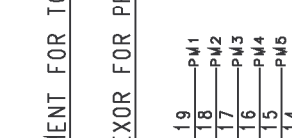
ANODE DRIVE B:



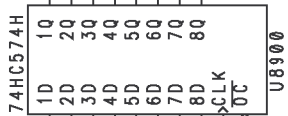
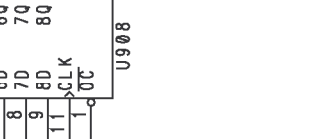
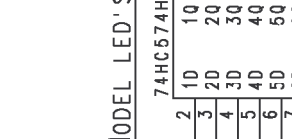
ANODE DRIVE C:



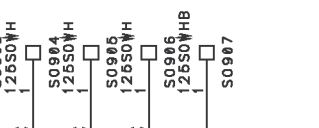
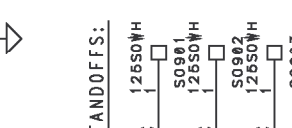
ANODE DRIVE E:



ANODE DRIVE G:

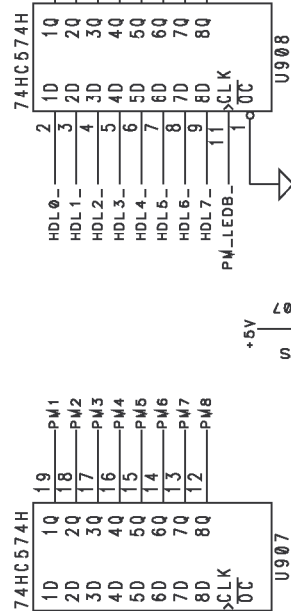


ANODE DRIVE I:



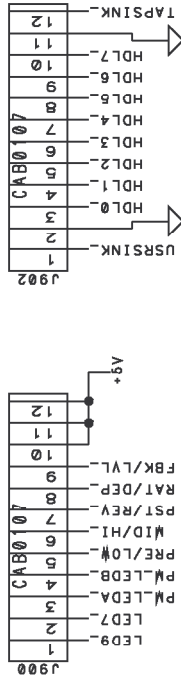
NOTE: LAYOUT COPY INCREMENT FOR TOP ROW IS 2000

MULTIPLEXOR FOR PRESET AND AMP MODEL LED'S



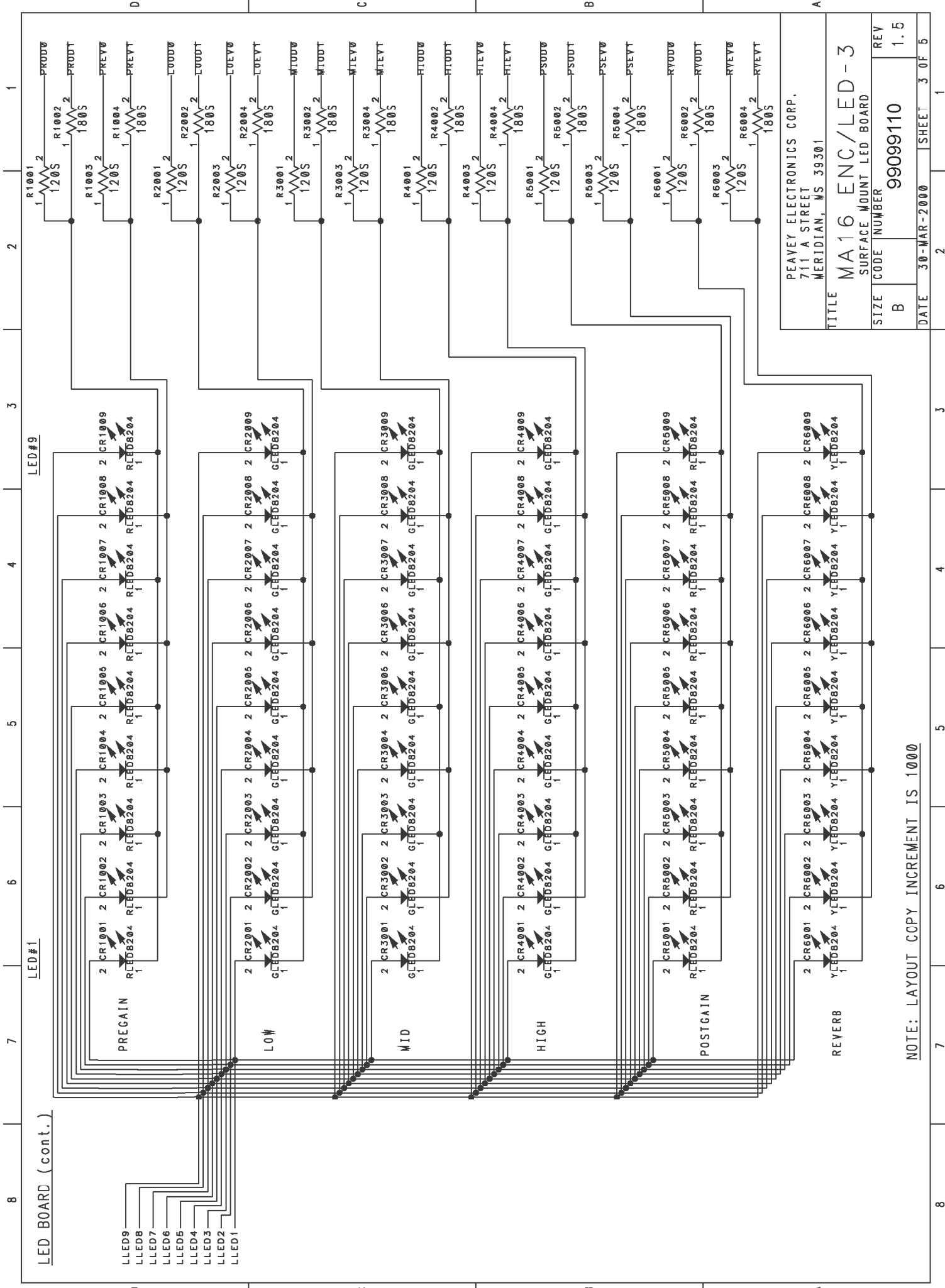
STANDOFFS:

N/C	12650WH
S0901	12650WH
N/C	12650WH
S0902	12650WH
N/C	12650WH
S0903	12650WH
N/C	12650WH
S0904	12650WH
N/C	12650WH
S0905	12650WH
N/C	12650WH
S0906	12650WH
N/C	12650WH
S0907	12650WH



"COMPANY PROPRIETARY INFORMATION"  
PEAVEY ELECTRONICS CORP.  
711 A STREET  
MERIDIAN, MS 39301

TITLE		MA 16 ENC/LED-2	
SIZE	B	LED BOARD CIRCUITRY	REV
CODE	99099110		1.5
DATE	30-MAR-2000	SHEET	2 OF 5



LED BOARD (cont.)

LED#9

LED#1

LLED9  
LLED8  
LLED7  
LLED6  
LLED5  
LLED4  
LLED3  
LLED2  
LLED1

PREGAIN

LOW

MID

HIGH

POSTGAIN

REVERB

PEAVEY ELECTRONICS CORP.  
711 A STREET  
MERIDIAN, MS 39301

TITLE  
MA16 ENC/LED-3

SIZE  
B

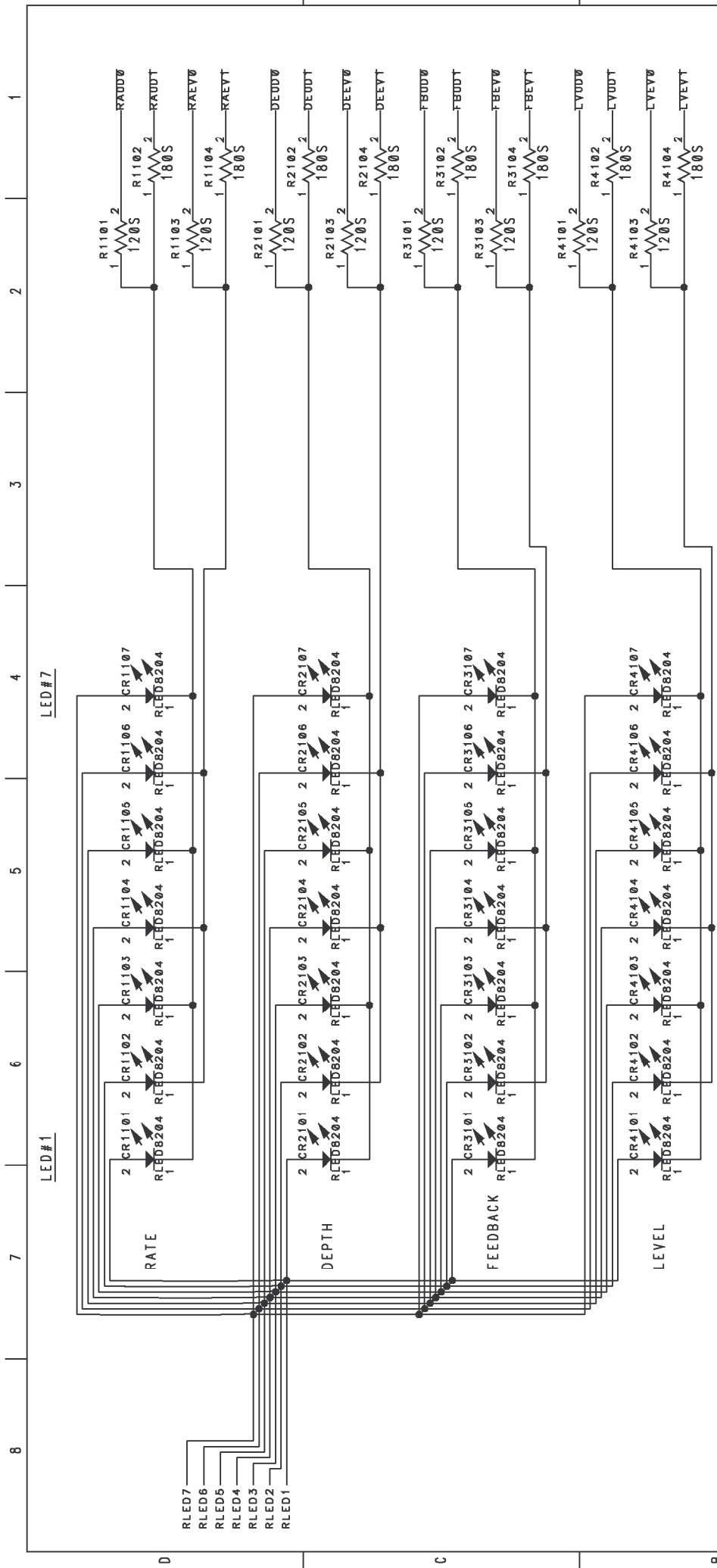
CODE NUMBER  
99099110

REV  
1.5

NOTE: LAYOUT COPY INCREMENT IS 1000

DATE  
30-MAR-2000

SHEET  
3 OF 6



NOTE: LAYOUT COPY INCREMENT IS 1000

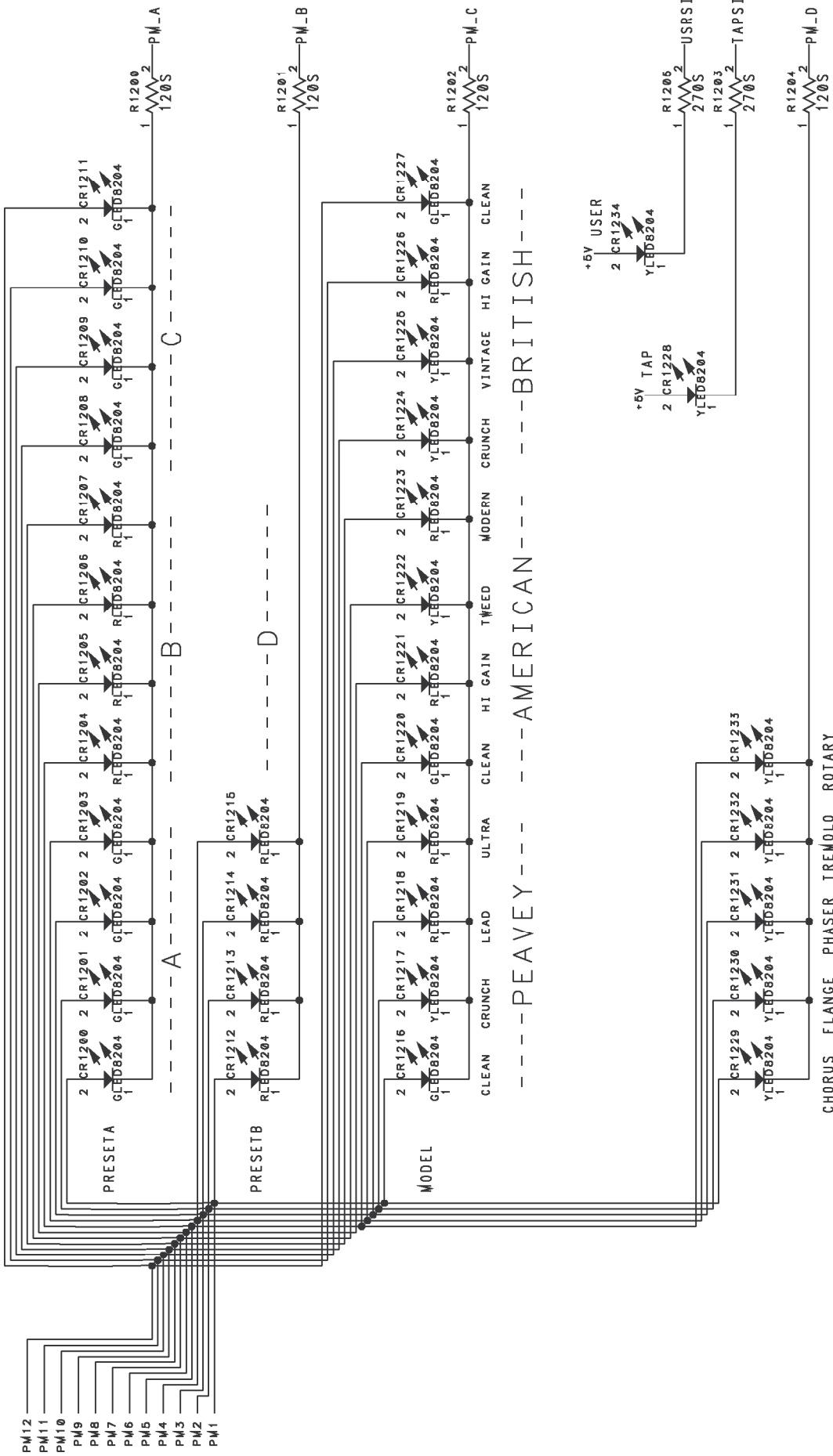
"COMPANY PROPRIETARY INFORMATION"	
PEAVEY ELECTRONICS CORP. 711 A STREET MERIDIAN, MS 39301	
TITLE MA16 ENC/LED - 4	
SIZE B	REV 1.5
DATE 30-MAR-2000	SHEET 4 OF 5



8 7 6 5 4 3 2 1

LED #1

PM12  
PM11  
PM10  
PM9  
PM8  
PM7  
PM6  
PM5  
PM4  
PM3  
PM2  
PM1

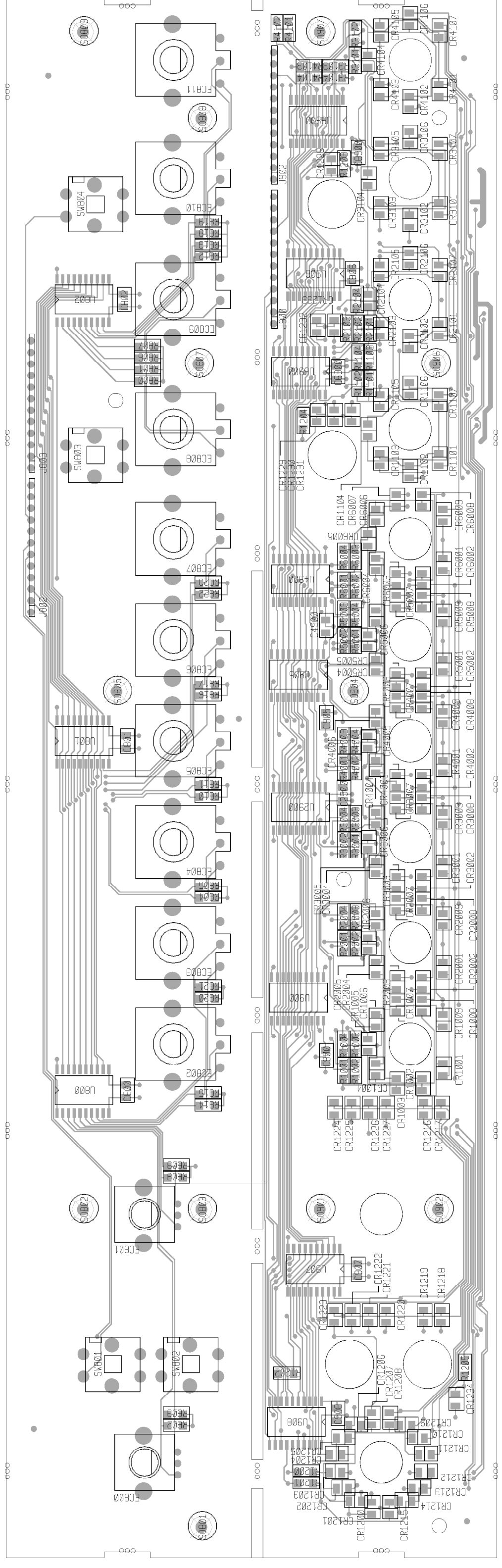


---PEAVEY---AMERICAN---BRITISH---

"COMPANY PROPRIETARY INFORMATION"

PEAVEY ELECTRONICS CORP. 711 A STREET MERIDIAN, MS 39301	
TITLE	MA16 ENC/LED-5
SIZE	PRESET, MODEL, FX LED'S
B	REV 1.5
DATE	30-MAR-2000
2	SHEET 5 OF 6

8 7 6 5 4 3 2 1



Transformer Led



R4102  
1 120S 120 70200048 120---1/8w--5%---SMT 1206  
R4103  
1 180S 180 70200015 180---1/8w--5%---smt  
R4104  
1 120S 120 70200048 120---1/8w--5%---SMT 1206  
R5001  
1 180S 180 70200015 180---1/8w--5%---smt  
R5002  
1 120S 120 70200048 120---1/8w--5%---SMT 1206  
R5003  
1 180S 180 70200015 180---1/8w--5%---smt  
R5004  
1 120S 120 70200048 120---1/8w--5%---SMT 1206  
R6001  
1 180S 180 70200015 180---1/8w--5%---smt  
R6002  
1 120S 120 70200048 120---1/8w--5%---SMT 1206  
R6003  
1 180S 180 70200015 180---1/8w--5%---smt  
R6004  
-1 375SOWH 70900782 70900782 SPCR,R,C?X3/8,SW,AL,ST  
SO801  
1 375SOWHB 70901893 70901893 .375 X .250 HOLLOW SWAGE SPACER - BRASS  
SO802  
5 375SOWH 70900782 70900782 SPCR,R,C?X3/8,SW,AL,ST  
SO803, SO805, SO807,  
SO808, SO809  
4 125SOWH 70901836 70901836 SPCR, 1/8(#4)NON-THREADED KNURLED, .187  
SWAGE A  
SO901, SO902, SO904, SO906  
1 125SOWHB 70901892 70901892 .125 X .250 HOLLOW SWAGE SPACER - BRASS  
SO907  
4 SW2349 SW2349 71322349 SWITCH, SPST MOM. PUSH  
SW801, SW802, SW803, SW804  
3 74HC573H 74HC573 70418041 74HC573 (SOL20) SMT  
U800, U801, U802  
9 74HC574H 74HC574 70418024 74HC574 (SOL-20) SMT  
U900, U905, U906, U907, U908, U2900,  
U4900, U6900, U8900

\*\*\*\*\*