

BILL OF MATERIALS REPORT

BOARD NAME: 104TMOD REPORT DATE: 18NOV99
 ASSEMBLY LEVEL NUMBER: 99053010
 PROJECT NUMBER: P9800153

CBDS

PART PART DESCRIPTION AND
 ** QTY. NAME VALUE NUMBER DEVICE DESIGNATIONS *****

- 1 98853010 98853010 98853010 PCB
- 2 .015 .015 70340010 .015MF----10%----50VDC---T/C---T&R
 C50, C53
- 2 .01CD .01CD 70320248 .01MF----20%---1000VDC---CD--T&A
 C20, C41
- 3 .047 .047 70340017 .047MF----10%----50VDC---MON---T&R
 C17, C38, C39
- 11 .1 .1 70340100 .1MF----+80-20%--50VDC---AXL---T&R
 C1, C2, C11, C12, C13, C23, C25, C30,
 C37, C40, C49
- 3 .1P10 .1P10 70340101 .1MF-----10%----50VDC---MON---T&R
 C16, C21, C27
- 1 .1SF .1SF 70330113 0.10 MFD 10% 100V STCK FILM T&A
 C34
- 1 .22SF2 .22SF2 70330114 0.22 MF 5% 100V STCK FILM t&a
 C19
- 4 .33W5 .33W5 70250003 .33--5W--10%--WW--AXL
 R32, R40, R71, R72
- 3 1.5K 1.5K 70240018 1.5K--1/4W--5%----CF--T&R
 R12, R18, R59
- 1 10 10 70240003 10----1/4W--5%----CF--T&R
 R85
- 2 100 100 70240010 100---1/4W--5%----CF--T&R
 R34, R43
- 3 1000R35 1000R35 70320186 1000MF----20%----35VDC--EL--T&A
 C42, C44, C48
- 1 1000SV50 1000SV50 70320147 1000MF--30/20%--50VDC--EL-R/S
 C46
- 3 100FP 100FP 70240096 100FP-1/4W--5%----FP--T&R
 R33, R38, R41
- 8 100K 100K 70240034 100K--1/4W--5%----CF--T&R

R25, R29, R31, R46, R47, R56, R57, R65

5 100PF 100PF 70340054 100PF-----10%----50VDC----T/C----T&R
C6, C10, C22, C24, C31

4 10K 10K 70240025 10K---1/4W--5%----CF--T&R
R63, R75, R81, R83

1 10KACRA 71190914 71190914 10K--15A--12MM--R/A D-SHAFT
VR2

1 10KCRA 71190902 71190902 10K--15C--12MM--R/A D-SHAFT
VR1

1 10PF 10PF 70340050 10PF-----5%-----T/C----T&R
C18

1 13886 13886 70413886 SZ-13886-2 DUAL DIODE
CR26

2 150W5 150W5 70250040 150--5W--10%--WW--AXL
R77, R87

2 15K 15K 70240027 15K---1/4W--5%----CF--T&R
R66, R68

1 180 180 70240012 180---1/4W--5%----CF--T&R
R42

1 180PF 180PF 70340056 180PF-----10%----50VDC----T/C----T&R
C54

2 1ASB 1ASB 70900379 1 AMP S/B FUSE WITH 2 FUSECLIPS #70900816
F1, F2

4 1K 1K 70240017 1K----1/4W--5%----CF--T&R
R2, R15, R64, R73

2 1M 1M 70240039 1M----1/4W--5%----CF--T&R
R6, R7

6 1N4003 1N4003 70464003 1N4003 200V SILICON DIODE
CR39, CR40, CR41, CR42, CR44, CR46

34 1N4148 4148 70464148 1N4148 75V 10MA SILICON DIODE
CR1, CR2, CR3, CR4, CR5, CR6, CR10,
CR11, CR12, CR13, CR14, CR16, CR17,
CR18, CR19, CR21, CR22, CR23, CR24,
CR25, CR29, CR30, CR31, CR32, CR33,
CR35, CR37, CR49, CR50, CR51, CR52,
CR53, CR54, CR55

6 1N4744 4744 70440102 SZG40102 15V 5% ZENER DIODE

CR8, CR36, CR43, CR45, CR47, CR48

2 1N5393 5393 70465393 1N5393-RL 200V, 1.5, 5% DIODE -T&R
CR20, CR27

2 1SS142 1SS142 70400142 1ss142 250v SILICON DIODE
CR9, CR34

2 2.2K 2.2K 70240020 2.2K--1/4W--5%----CF--T&R
R55, R74

6 2.2R50 2.2R50 70320180 2.2MF-----20%----50VDC---EL--T&A
C3, C4, C5, C9, C36, C55

2 2.7K 2.7K 70240021 2.7K--1/4W--5%----CF--T&R
R51, R80

2 2.7KW1 2.7KW1 70210016 2.7K--1W----5%----MO--T&R
R14, R62

2 2200R63 2200R63 70320347 2200MF---20%---63VDC---EL---R/S
C14, C28

2 220K 220K 70240036 220K--1/4W--5%----CF--T&R
R8, R84

2 220R50 220R50 70320187 220MF-----20%----50VDC---EL--T&A
C43, C45

2 220R63 220R63 70320305 220uF---63V--20%---EL--T&A
C15, C29

1 22FP 22FP 70240100 22FP--1/4W--5%----FP-----
R70

8 22K 22K 70240029 22K---1/4W--5%----CF--T&R
R4, R5, R11, R22, R28, R36, R37, R52

6 22R50 22R50 70320181 22MF-----20%----50VDC---EL--T&A
C8, C26, C32, C47, C51, C52

2 22W1 22W1 70210001 22----1W----5%----MO--T&R
R17, R61

2 2KW5 2KW5 70250063 2K--5W--10%--WW--AXL
R26, R49

2 2N3904 3904 70463904 3904/SPS7239 TO 92 NPN T&A
Q8, Q9

1 3.3K 3.3K 70240022 3.3K--1/4W--5%----CF--T&R
R1

1 33 33 70240004 33----1/4W--5%----CF--T&R
 R23

1 33K 33K 70240030 33K---1/4W--5%----CF--T&R
 R13

2 39PF 39PF 70340052 39PF-----50VDC----T/C----T&R
 C33, C35

8 4.7K 4.7K 70240023 4.7K--1/4W--5%----CF--T&R
 R20, R30, R44, R45, R54, R69, R89, R90

4 437STW 70901891 70901891 SPCR, 437(#4),.187 SW,AL
 SO1, SO2, SO3, SO4

3 4560 4560 70414560 4560 DUAL OP AMP IC
 U1, U2, U3

2 470 470 70240015 470---1/4W--5%----CF--T&R
 R88, R92

2 470K 470K 70240038 470K--1/4W--5%----CF--T&R
 R10, R93

2 47FP 47FP 70240090 47FP--1/4W--5%----FP--T&R
 R78, R79

7 47K 47K 70240031 47K---1/4W--5%----CF--T&R
 R24, R35, R39, R50, R60, R76, R86

1 4P2TLRA 4P2TLRA 71322395 4P2T RA LEVER ACTUATED SLIDE SWITCH
 S2

1 5.6W5 5.6W5 70250026 5.6--5W--10%--WW--AXL
 R67

1 5331 5331 70405331 SJE-5331 CASE-77 NPN
 Q2

1 6.8KW2 6.8KW2 70250052 6.8K---2W---5%---MF---T&R
 R91

1 6531 6531 70466531 MPS-6531 TO92 NPN TRANS. T&A
 Q4

1 6533 6534 70466533 MPS-6533/34 TO-92 PNP TRANS T&A
 Q5

1 68K 68K 70240032 68K---1/4W--5%----CF--T&R
 R9

1 7036 7036 70407036 SJE-7036 CASE-77 PNP XSISTOR

Q7

1 73100AT 73100T 70473100 SJ-73100, 3 AMP, 100V, METRIC TO-3, PNP TRANS

Q6

2 820 820 70240019 820---1/4W--5%----CF--T&R

R27, R48

1 83100AT 83100T 70483100 SJ-83100, NPN, 3 AMP, 100V, METRIC TO-3 TRANS

Q3

2 8PRC12J2 8PRC12J2 70600052 8C PRE-TIN .100 CTR 12" JUMPER (SPLIT VERSION)

J26, J27

1 DG211 DG211 70420211 DG211 CJ I.C.

U6

1 DIN7RA 71466226 71466226 CONN 7P R/A PCMNT DIN W/ 4 MNT. HOLES

J16

3 FMPU 73711811 73711811 M118-171 C.B. FEMALE MOLEX PIN

J7, J18, J22

1 HS0675 98000675 98000675 TKO 80 HEATSINK

HS3

2 HS2522 98002522 98002522 3/8" HEATSINK PUNCHED

HS1, HS2

1 J174 J174 70460174 J-174 30V TO-92 P-CHAN FET T&A

Q10

18 J325 J 70600005 22GA JUMPER WIRES T&R

JP3000, JP3001, JP3002,
JP3006, JP3007, JP3009,
JP3010, JP3011, JP3012, JP3013, JP3014,
JP3015, JP3017,
JP3020, JP3021, JP3023, JP3024,
JP3025

1 J35 J 70600005 22GA JUMPER WIRES T&R

JP3500,

18 J4 J 70600005 22GA JUMPER WIRES T&R

JP4000, JP4001, JP4002, JP4003, JP4004,
JP4005, JP4006, JP4007, JP4008, JP4009,
JP4010, JP4012, JP4013, JP4014,
JP4015, JP4016, JP4017, JP4018,

3 J5 J 70600005 22GA JUMPER WIRES T&R

JP5000, JP5001, JP5002,

1 J6 J 70600005 22GA JUMPER WIRES T&R

JP6000,

1 J7 J 70600005 22GA JUMPER WIRES T&R
 JP7000,

5 J8 J 70600005 22GA JUMPER WIRES T&R
 JP8000, JP8001, JP8002, JP8004,
 JP8006,

5 JMP JMP 70600005 22 GA. JUMPER WIRE T&R
 J15, P1, P2, P3, P4

1 KBU6J 70400605 70400605 6A, 600V, INLINE DIODE BRIDGE RECTIFIER
 BR1

7 MMPU 73711812 73711812 R93-12 PN C.B. MALE MOLEX PIN
 J6, J8, J19, J20, J21, J23, J24

1 PRASW PRASW 71322289 DPDT P/P CB MNT SWITCH
 S1

1 RALEDRSL RALEDRSL 70450053 LED, T-1, RED, W/STOPPER LEAD T&A
 CR38

4 RAMN6322 71466322 71466322 JACK MONO R/A 1/4" 6.5MM NINS
 J1, J2, J3, J4

1 RASL6223 71466223 71466223 jack stereo r/a 1/4" 6.5mm
 J13

1 RASN6323 71466323 71466323 JACK STEREO R/A 1/4" 6.5MM NINS
 J9

1 SPX8 SPX8 XXXXXXXX 8 EACH OF STAKE PINS
 J5

1 TB1129 70901129 70901129 2455R-8082-723 95 DEGREE THERMAL BREAKER
 TB1

1 TP XXXXXXXX XXXXXXXX
 TP1000

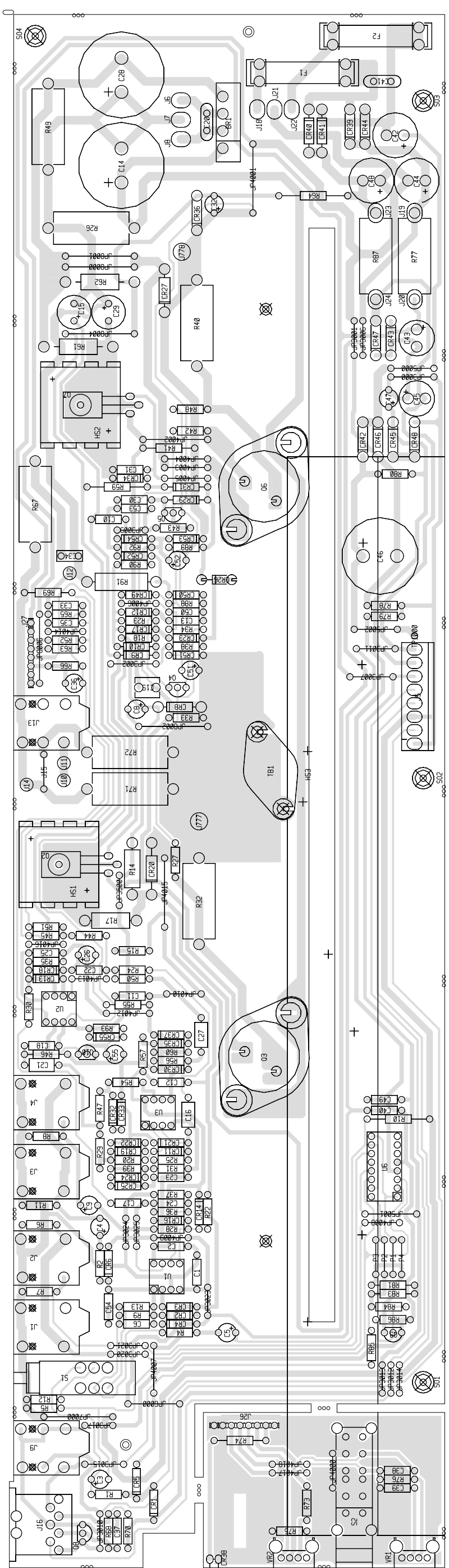
2 WJ6WH8 91090507 91090507 WH--16G--8"--WJ6--WJ6
 J777, J778

2 WJ8BK5SP WJ8BK5SP 91090506 BK-18G-5"-CPT-250SPD/RA
 J11, J12

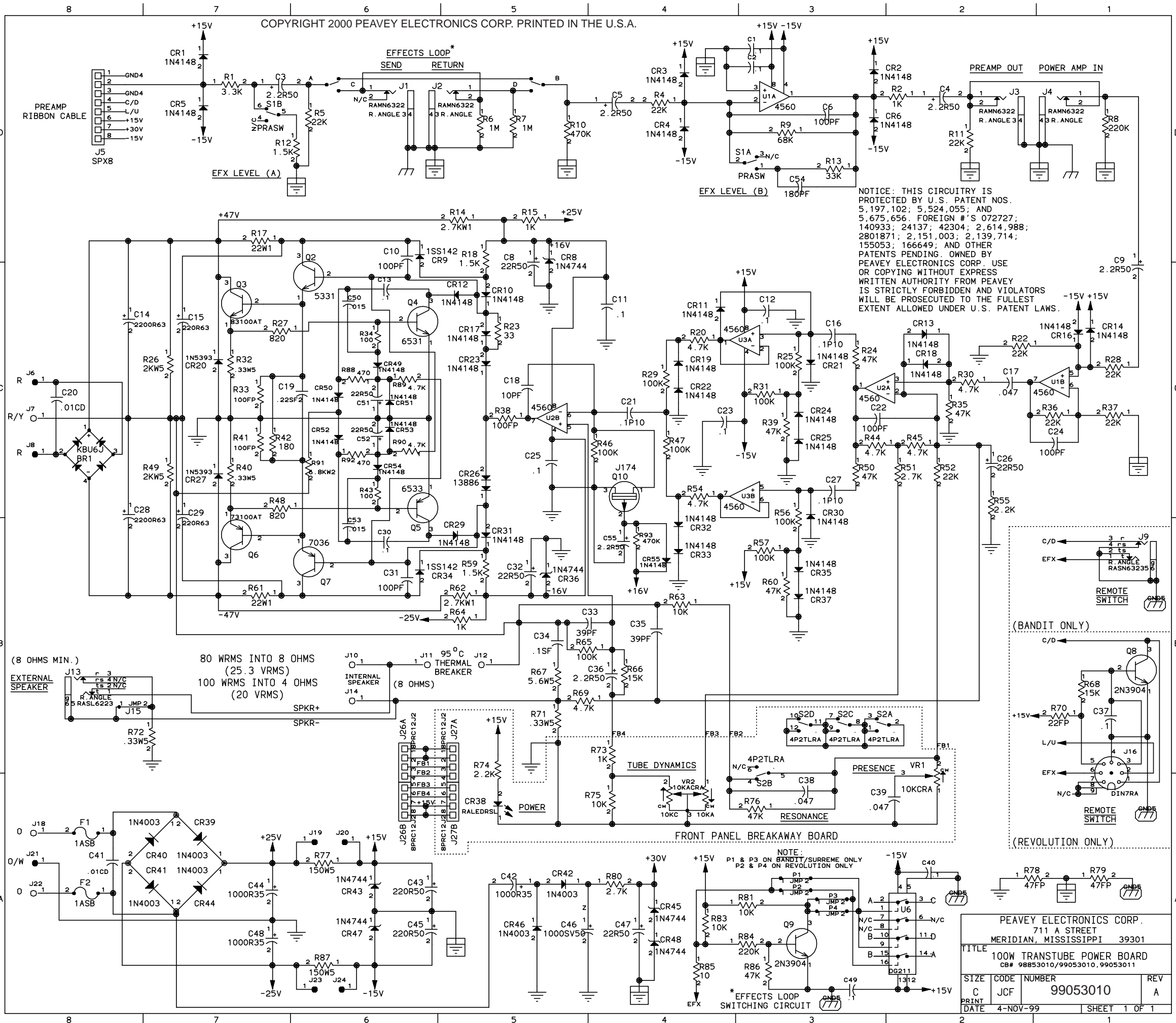
1 WJ8BL14 WJ8BL14 91014148 BL-18G-14"-CPT-205SPD
 J14

1 WJ8YL14 WJ8YL14 91015149 YL-18G-14"-CPT-205SPD
 J10

* END OF BILL OF MATERIALS REPORT *



TRANSTUBE 100W POWER AMP



PEAVEY ELECTRONICS CORP. 711 A STREET MERIDIAN, MISSISSIPPI 39301			
TITLE 100W TRANSTUBE POWER BOARD CB# 98853010/99053010, 99053011			
SIZE	CODE	NUMBER	REV
C	JCF	99053010	A
PRINT DATE	4-NOV-99		SHEET 1 OF 1