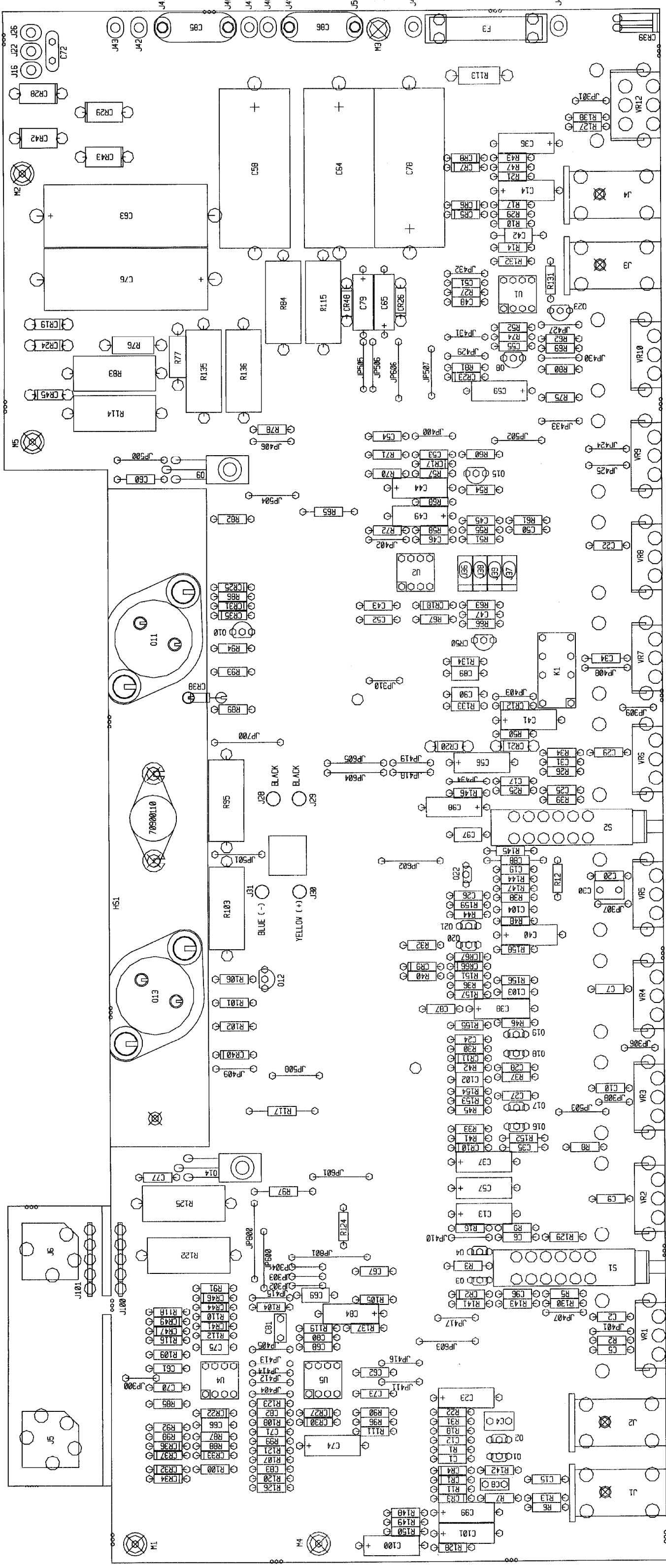


TRADE SECRET--PATENT PENDING--DO NOT COPY
 THIS MATERIAL IS CONFIDENTIAL AND PROPRIETARY,
 BEING EXCLUSIVELY OWNED BY PEAVEY ELECTRONICS
 CORPORATION. THE EXPRESSION OF THE INFORMATION
 CONTAINED HEREIN IS THE PROPERTY OF PEAVEY
 COPYRIGHT LAWS AND ALL COPYING IS PROHIBITED
 AND MAY BE SUBJECT TO CRIMINAL PENALTIES.

REV	1
D	
SIZE	CODE NUMBER
	CFP98852141
DATE	11-APR-95
PRINT	#138R138
SHEET	1 OF 1



98852141
EXPRESS TRANSTUBE

BOARD NAME: EXPRESS TRANS
ASSEMBLY LEVEL NUMBER: 99052142/43

PART	QTY	NAME	VALUE	DESCRIPTION AND DEVICE DESIGNATIONS	1	2	3	4	5	6	7	8	9	10	11	12	13	14	15	16	17	18	19	20	21	22	23	24	25	26	27	28	29	30	31	32	33	34	35	36	37	38	39	40	41	42	43	44	45	46	47	48	49	50	51	52	53	54	55	56	57	58	59	60	61	62	63	64	65	66	67	68	69	70	71	72	73	74	75	76	77	78	79	80	81	82	83	84	85	86	87	88	89	90	91	92	93	94	95	96	97	98	99	100																																																																																																																													
70340000	1	.001	.001	.047M 5% 50VDC MON-T&R	2200 MFD 50VDC LYTTC CAP	70320036	2200A50	2200A50	1	1M4744	4744	70440102	SZG40102 15V 5% ZENER DIODE	CR48	1M4148 75V 10MA SILICON DIODE	70464148	70464148	1M4148 75V 10MA SILICON DIODE	CR49	MAC97-6 400V .6A TO-92 TRIAC T&A	70460097	70460097	MAC97-6 400V .6A TO-92 TRIAC T&A	CR50	1M4148 75V 10MA SILICON DIODE	70464148	70464148	1M4148 75V 10MA SILICON DIODE	CR66, CR67	3 AMP F/E FUSE WITH 2 FUSECLIPS #70900816	70900033	70900033	3 AMP F/E FUSE WITH 2 FUSECLIPS #70900816	F3	Express Heat Sink	98002762	98002762	Express Heat Sink	H51	JK R/A 12.5MM NIN MONO -88	71466164	71466164	JK R/A 12.5MM NIN MONO -88	J1, J2, J3, J4	STEREO HID JACK NINS W/SPD	71466217	71466217	STEREO HID JACK NINS W/SPD	J5	2 TIP HID JACK INSU W/SPD	71466215	71466215	2 TIP HID JACK INSU W/SPD	J6	R93-12 PN C.B. MALE MOLEX PIN	73711812	73711812	R93-12 PN C.B. MALE MOLEX PIN	J16	M118-171 C.B. FEMALE MOLEX PIN	73711811	73711811	M118-171 C.B. FEMALE MOLEX PIN	J22	R93-12 PN C.B. MALE MOLEX PIN	73711812	73711812	R93-12 PN C.B. MALE MOLEX PIN	J26	BK-18G-4"-CPT-205SPD/RA	91090271	91090271	BK-18G-4"-CPT-205SPD/RA	J28, J29	YL-18G-6"-CPT-205SPD	91015058	91015058	YL-18G-6"-CPT-205SPD	J30	BI-18G-6"-CPT-205SPD	91014059	91014059	BI-18G-6"-CPT-205SPD	J31	1 STAKE PIN	73717003	73717003	1 STAKE PIN	J36, J37, J38, J39	M118-171 C.B. FEMALE MOLEX P.N	73711811	73711811	M118-171 C.B. FEMALE MOLEX P.N	J41, J42, J43, J44, J45, J46, J47, J48, J49, J50	5 CONDUCTOR - 5" JUMPER CABLE -.156 CTRS	70600007	70600007	5 CONDUCTOR - 5" JUMPER CABLE -.156 CTRS	J100, J101	1 STAKE PIN	73717003	73717003	1 STAKE PIN	J200, J201, J202, J203, J204, J205, J206, J207	DPDT OMRON RELAY 12VDC	71322277	71322277	DPDT OMRON RELAY 12VDC	K1	SPCR,R,TA-40X1/2,SW,AL,ST	70901859	70901859	SPCR,R,TA-40X1/2,SW,AL,ST	M1, M2, M3, M4, M5	25C1740SLN 40V .1A, NPN, LOW NOISE T&A	70401740	70401740	25C1740SLN 40V .1A, NPN, LOW NOISE T&A	Q1, Q2, Q3, Q4	J-174 30V TO-92 P-CHAN FET T&A	70460174	70460174	J-174 30V TO-92 P-CHAN FET T&A	Q8	SJE-5331 CASE-77 NPN	70405331	70405331	SJE-5331 CASE-77 NPN	Q9	MPS-6531 TO92 NPN TRANS. T&A	70466531	70466531	MPS-6531 TO92 NPN TRANS. T&A	Q10	SJ-83100, NPN, 3 AMP, 100V, METRIC TO-3 TRANS	70483100	70483100	SJ-83100, NPN, 3 AMP, 100V, METRIC TO-3 TRANS	Q11	MPS-6533/34 TO-92 PNP TRANS T&A	70466533	70466533	MPS-6533/34 TO-92 PNP TRANS T&A	Q12	SJ-73100, 3 AMP, 100V, METRIC TO-3, PNP TRANS	70473100	70473100	SJ-73100, 3 AMP, 100V, METRIC TO-3, PNP TRANS	Q13	576/2N5462 40V TO-92 P-FET T&A	70460576	70460576	576/2N5462 40V TO-92 P-FET T&A	Q15	25C1740SLN 40V .1A, NPN, LOW NOISE T&A	70401740	70401740	25C1740SLN 40V .1A, NPN, LOW NOISE T&A	Q16, Q17, Q18, Q19, Q20, Q21	25A933ASLN 40V .1A, PNP, LOW NOISE T&A	70400933	70400933	25A933ASLN 40V .1A, PNP, LOW NOISE T&A	Q22	J-174 30V TO-92 P-CHAN FET T&A	70460174	70460174	J-174 30V TO-92 P-CHAN FET T&A	Q23	150K-1/4W-1% MF-T&R	70241035	70241035	150K-1/4W-1% MF-T&R	R1	470K-1/4W-5% CF-T&R	70240038	70240038	470K-1/4W-5% CF-T&R	R2	100K-1/4W-5% CF-T&R	70240034	70240034	100K-1/4W-5% CF-T&R	R3	2.2M-1/4W-5% CF-T&R	70240040	70240040	2.2M-1/4W-5% CF-T&R	R5	22K-1/4W-5% CF-T&R	70240029	70240029	22K-1/4W-5% CF-T&R	R6	47K-1/4W-5% CF-T&R	70240031	70240031	47K-1/4W-5% CF-T&R	R7	68K-1/4W-5% CF-T&R	70240032	70240032	68K-1/4W-5% CF-T&R	R8	2.2M-1/4W-5% CF-T&R	70240040	70240040	2.2M-1/4W-5% CF-T&R	R9	220K-1/4W-5% CF-T&R	70240036	70240036	220K-1/4W-5% CF-T&R	R10	1M-1/4W-5% CF-T&R	70240039	70240039	1M-1/4W-5% CF-T&R	R11	22K-1/4W-5% CF-T&R	70240029	70240029	22K-1/4W-5% CF-T&R	R12, R13	100K-1/4W-5% CF-T&R	70240034	70240034	100K-1/4W-5% CF-T&R	R14

