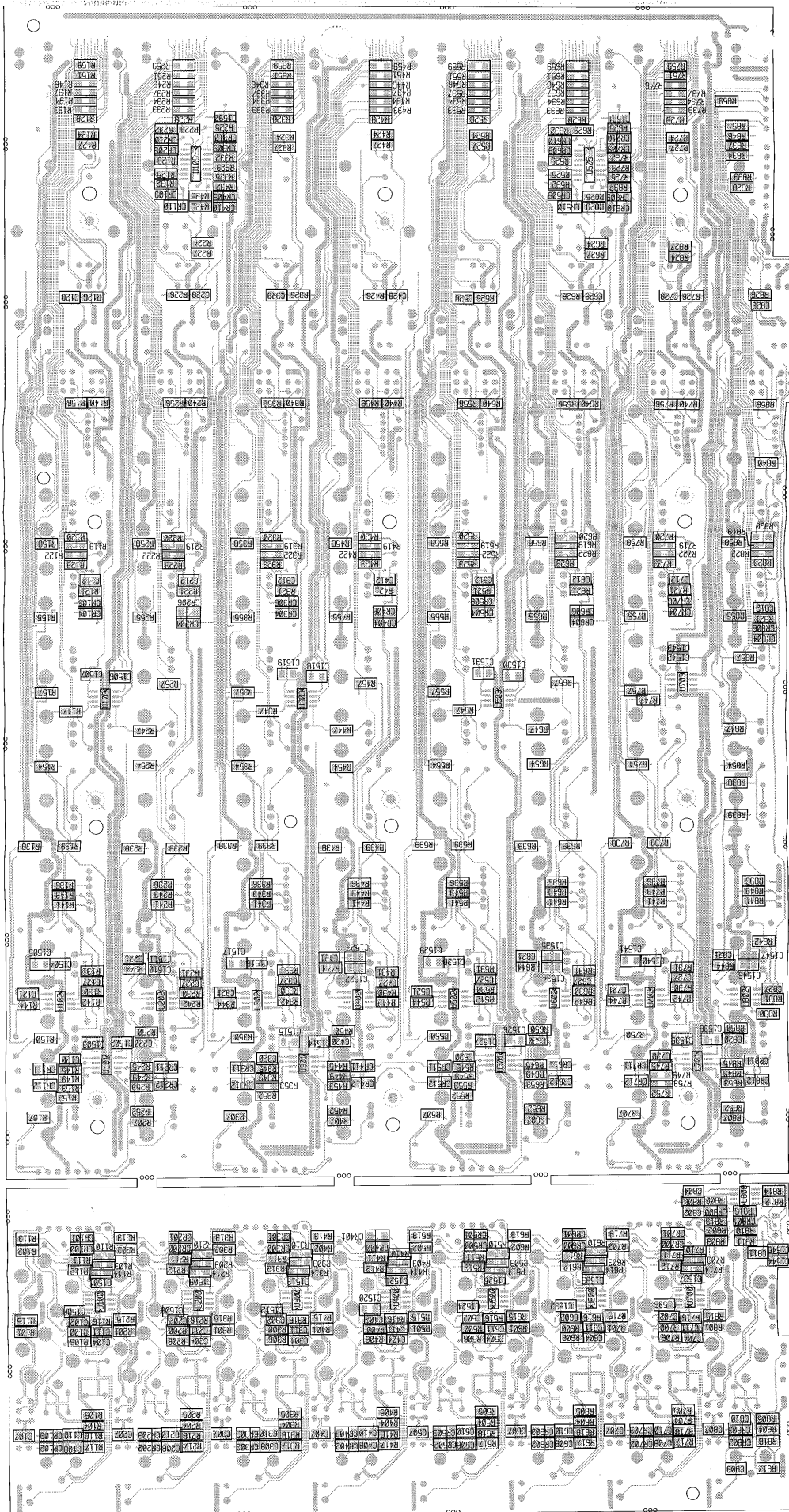


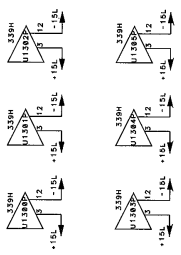
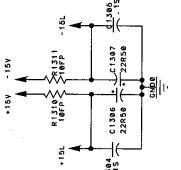
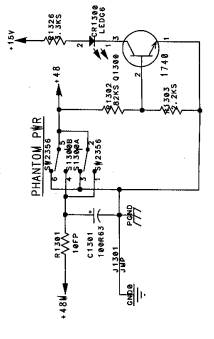
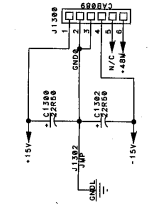
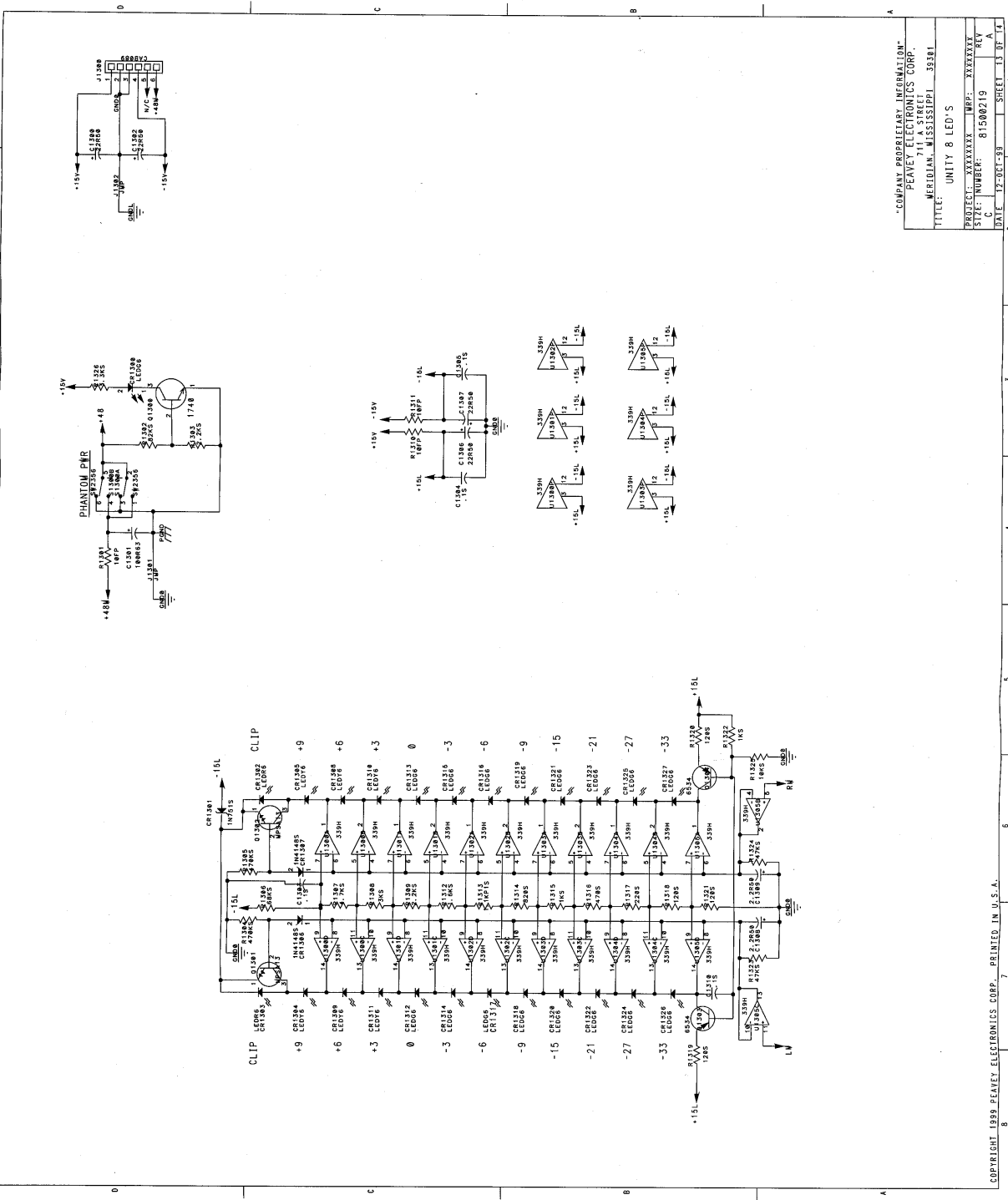
primary side

R02318

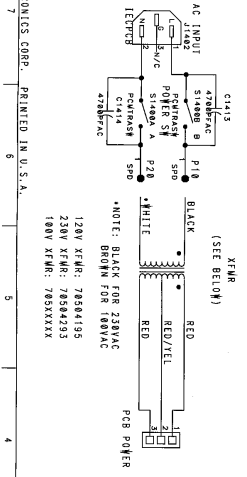
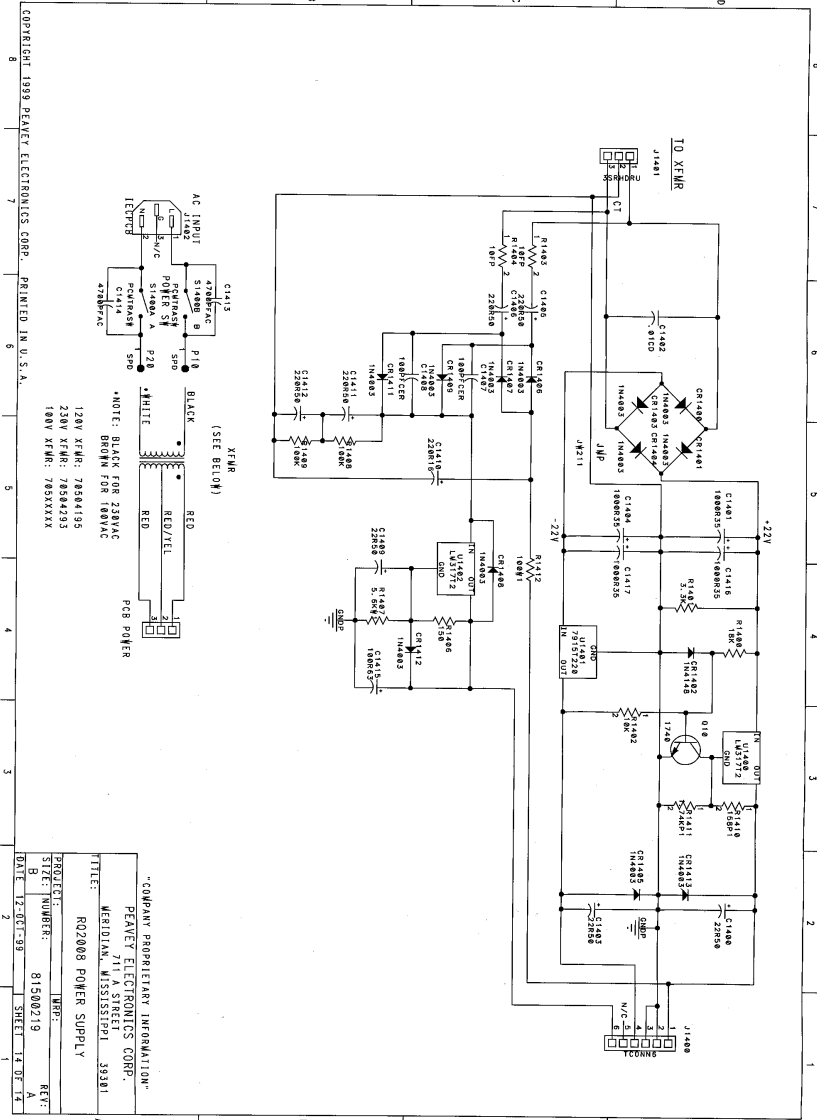
R02318

secondary side

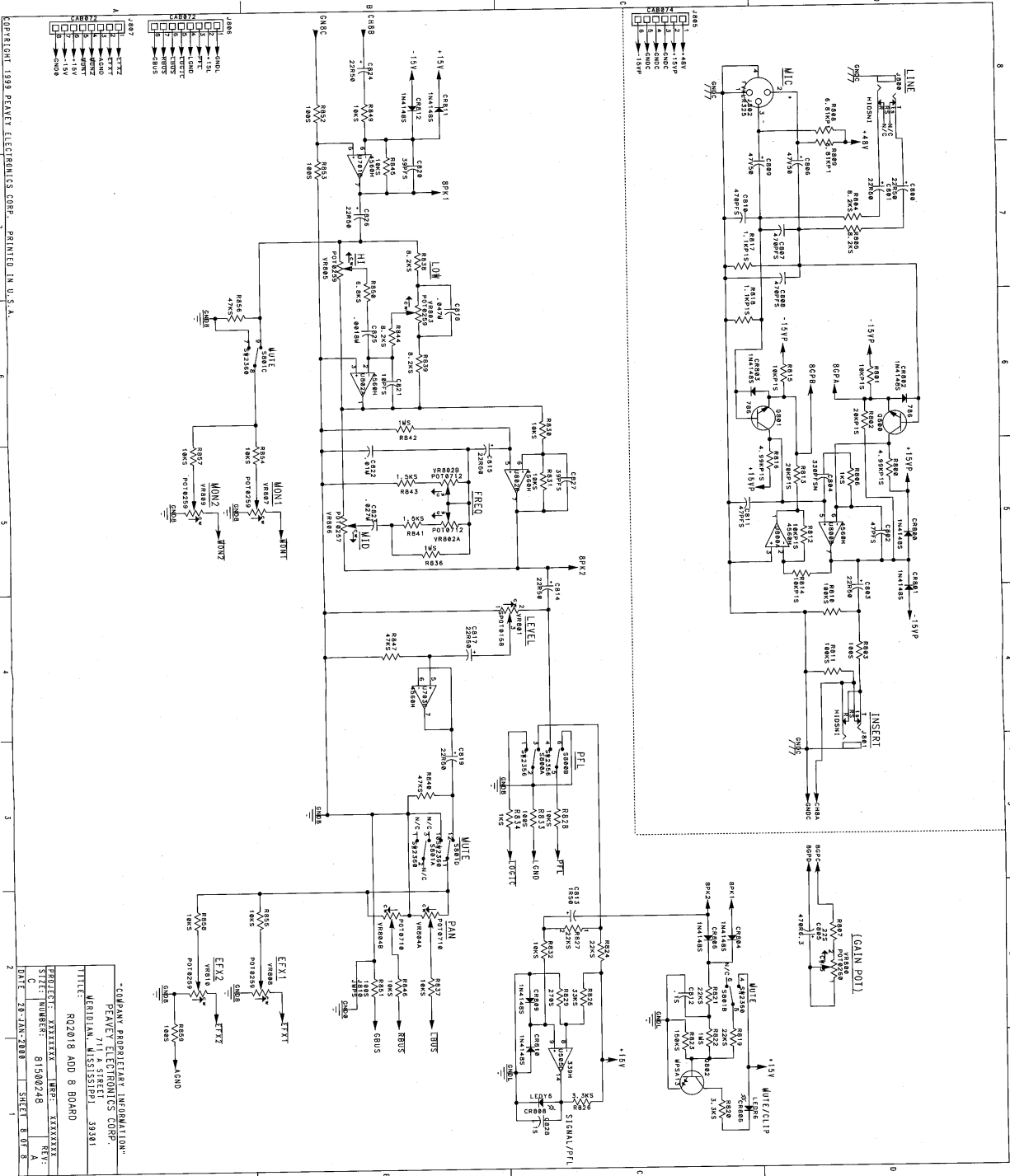




COMPANY PROPRIETARY INFORMATION
 PEAVEY ELECTRONICS CORP.
 711 A STREET
 MERIDIAN, MISSISSIPPI 39301
 TITLE: UNITY 8 LED'S
 PROJECT: XXXXXXXX
 SHEET: NUMBER: 81500219
 DATE: 12-20-88
 SHEET 13 OF 14

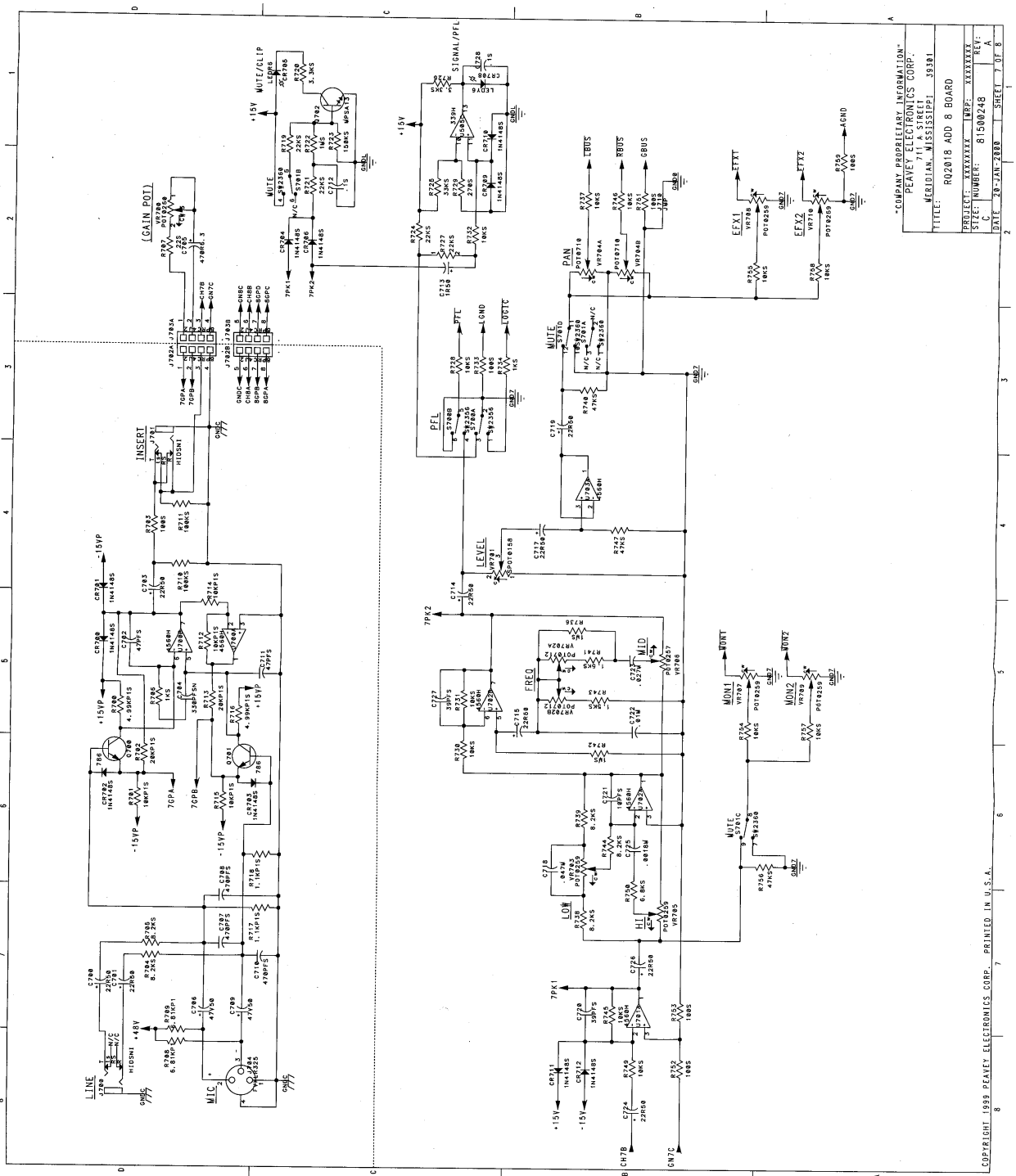


COMPANY PROPRIETARY INFORMATION
 PEAVEY ELECTRONICS CORP.
 MERIDIAN, MISSISSIPPI 39301
 PROJECT: RQ2008 POWER SUPPLY
 SIZE: NUMBER: 81500210
 DATE: 12-20-99 SHEET 14 OF 14



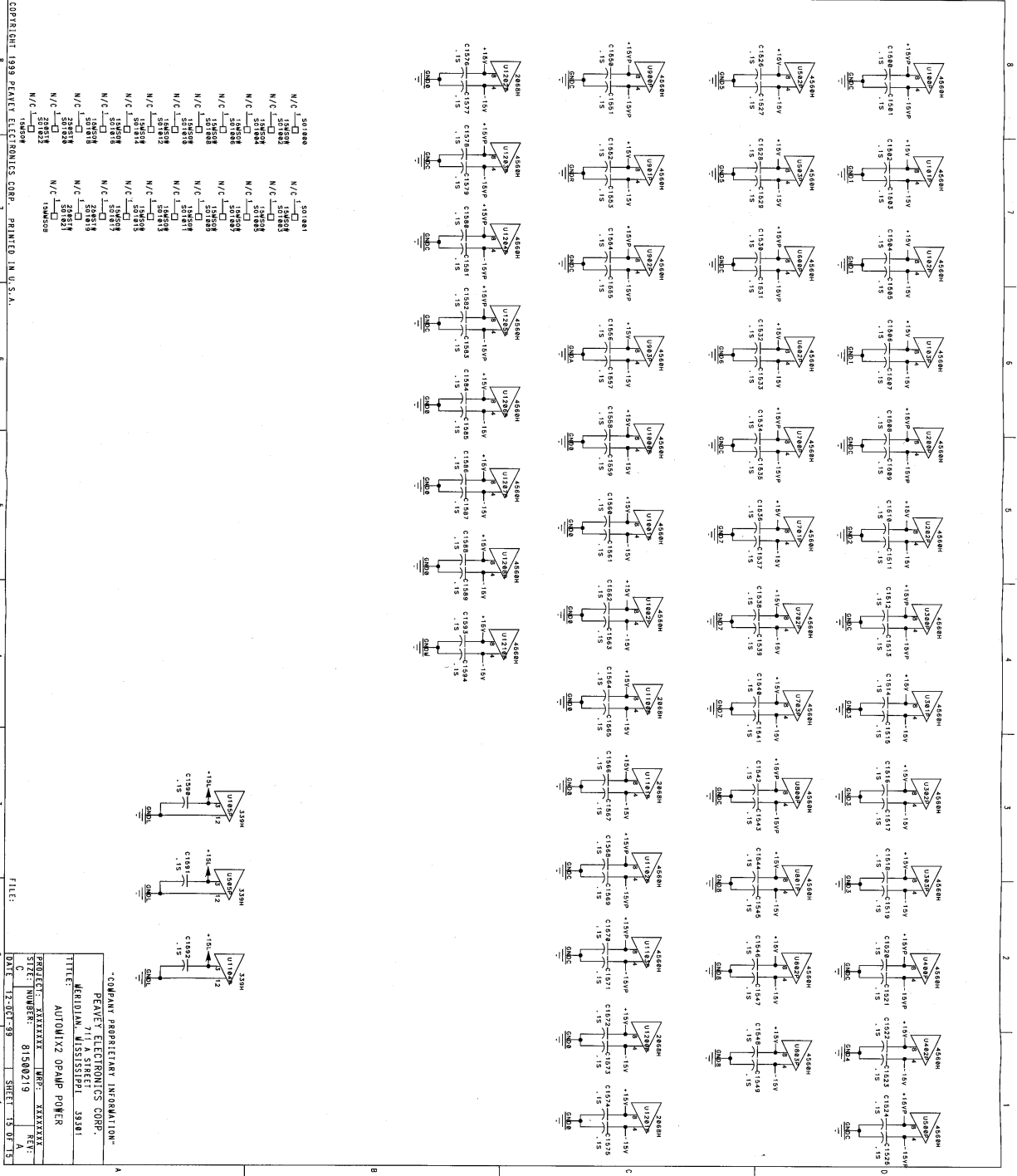
COPYRIGHT 1993 PENNEY ELECTRONICS CORP. PRINTED IN U.S.A.

COMPANY PROPRIETARY INFORMATION
 PENNEY ELECTRONICS CORP.
 7111 E. STREET
 MERIDIAN, MISSISSIPPI 39361
 TITLE: RQ2018 ADD 8 BOARD
 PROJECT: XXXXXXXX VER: XXXXXXXX
 STYLE NUMBER: 81500248
 DATE: 28-JAN-2000 SHEET: 8 OF 8



- COMPANY PROPRIETARY INFORMATION -	
PEAVEY ELECTRONICS CORP.	
MEDLIAN, MISSISSIPPI 39381	
TITLE:	RQ2018 ADD 8 BOARD
DRAWN BY:	XXXXXXXXXX
REV.:	XXXXXXXXXX
SIZE:	NUMBER: 81500248
DATE:	20-JAN-2008
SHEET:	7 OF 8

COPYRIGHT 1999 PEAVEY ELECTRONICS CORP. PRINTED IN U.S.A.

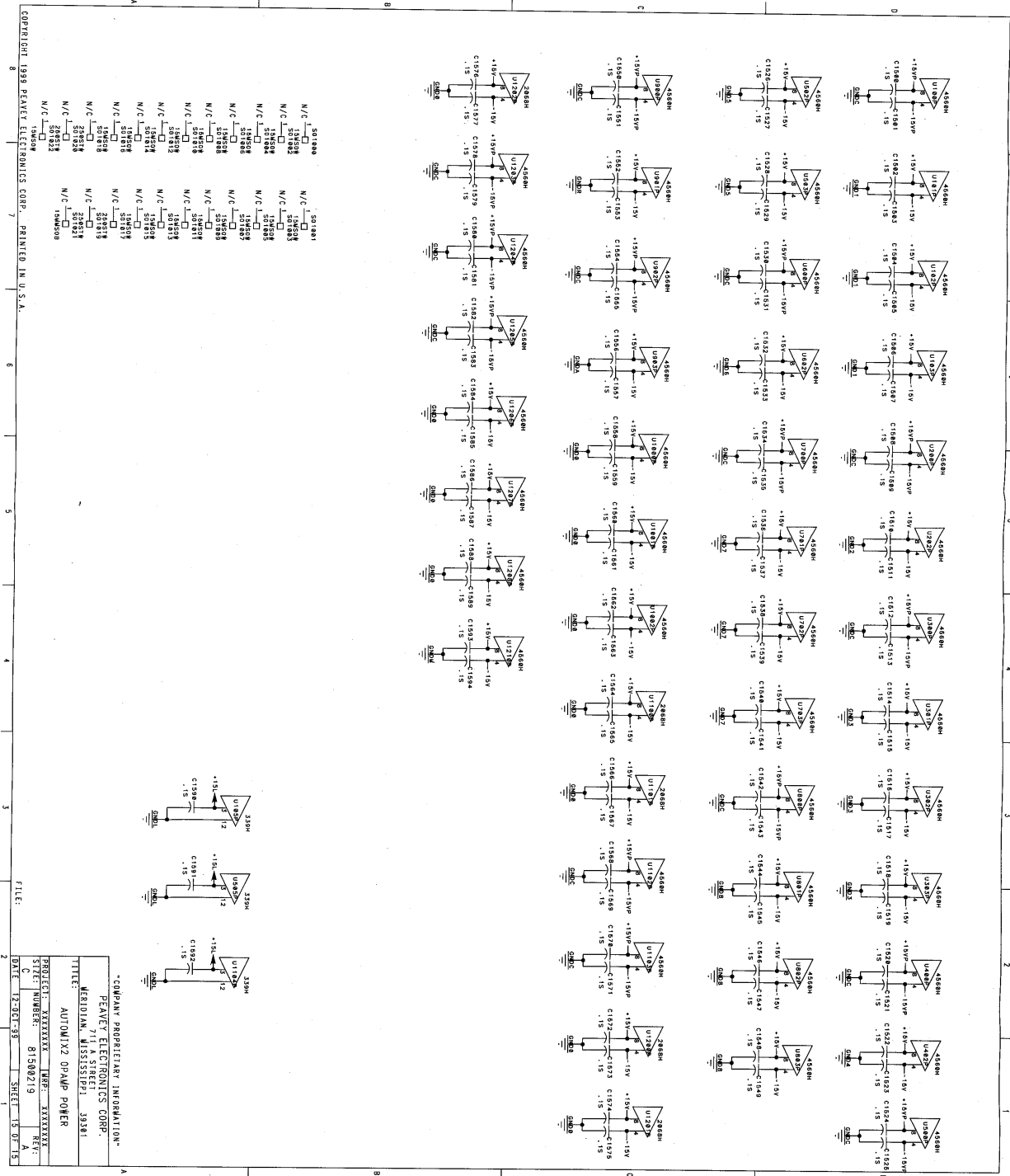


COMPANY PROPRIETARY INFORMATION

PROJECT:	XXXXXXXXXX	REF:	XXXXXXXXXX
TITLE:	PEAVETS ELECTRONICS CORP.		
DATE:	12-01-99	SHEET:	15 OF 15
DESIGNER:	XXXXXXXXXX	CHECKED:	XXXXXXXXXX
DRAWN:	XXXXXXXXXX	APPROVED:	XXXXXXXXXX
DATE:	12-01-99	SHEET:	15 OF 15
FILE:	AUTOMATIZ OPAMP POWER		
DATE:	12-01-99	SHEET:	15 OF 15
DESIGNER:	XXXXXXXXXX	CHECKED:	XXXXXXXXXX
DRAWN:	XXXXXXXXXX	APPROVED:	XXXXXXXXXX
DATE:	12-01-99	SHEET:	15 OF 15
DESIGNER:	XXXXXXXXXX	CHECKED:	XXXXXXXXXX
DRAWN:	XXXXXXXXXX	APPROVED:	XXXXXXXXXX
DATE:	12-01-99	SHEET:	15 OF 15

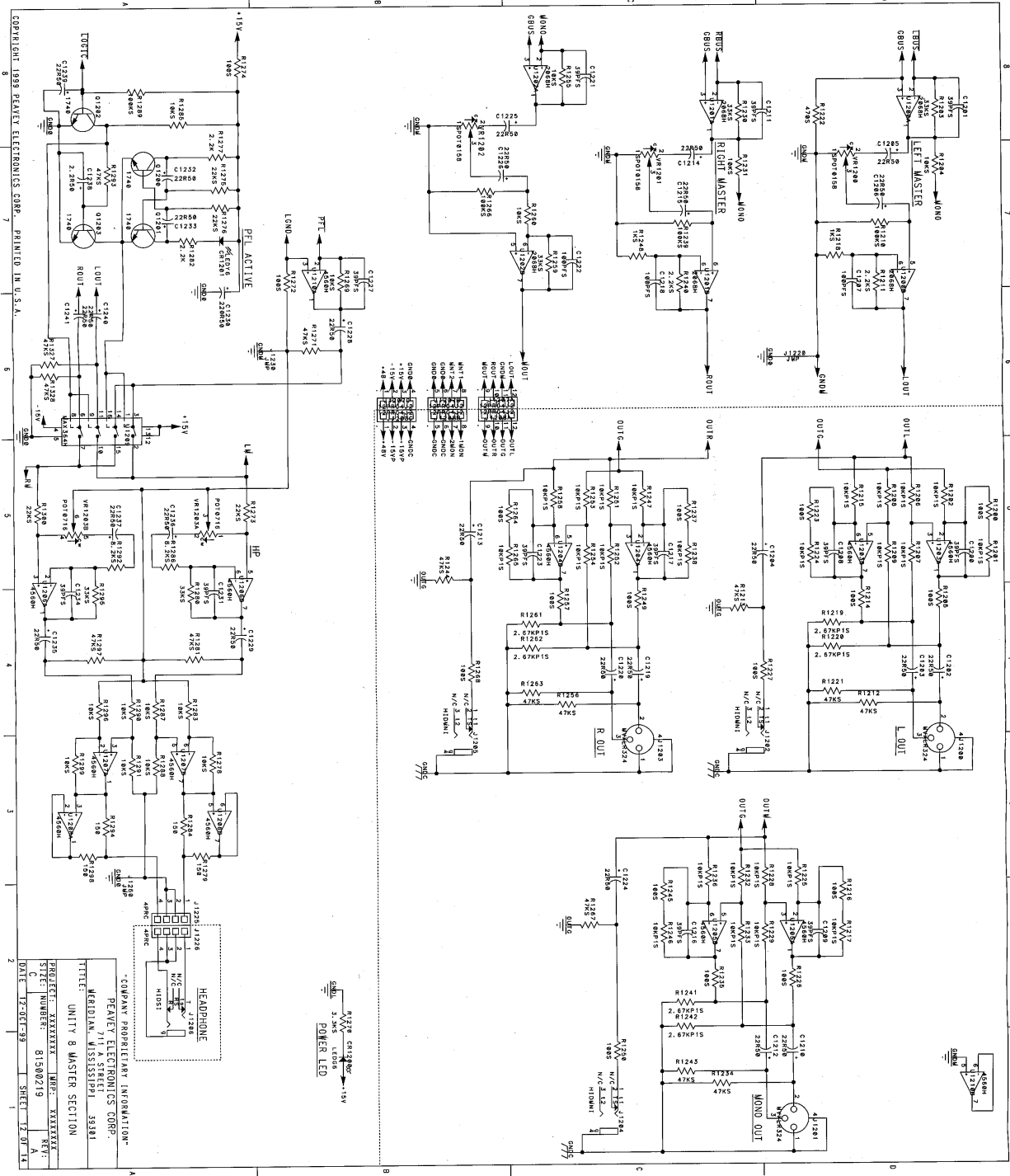
PEAVETS ELECTRONICS CORP.
 711 SIBELI
 MERIDIAN, MISSISSIPPI 39301

158889
 158890
 158891
 158892
 158893
 158894
 158895
 158896
 158897
 158898
 158899
 158900
 158901
 158902
 158903
 158904
 158905
 158906
 158907
 158908
 158909
 158910
 158911
 158912
 158913
 158914
 158915
 158916
 158917
 158918
 158919
 158920
 158921
 158922
 158923
 158924
 158925
 158926
 158927
 158928
 158929
 158930
 158931
 158932
 158933
 158934
 158935
 158936
 158937
 158938
 158939
 158940
 158941
 158942
 158943
 158944
 158945
 158946
 158947
 158948
 158949
 158950
 158951
 158952
 158953
 158954
 158955
 158956
 158957
 158958
 158959
 158960
 158961
 158962
 158963
 158964
 158965
 158966
 158967
 158968
 158969
 158970
 158971
 158972
 158973
 158974
 158975
 158976
 158977
 158978
 158979
 158980
 158981
 158982
 158983
 158984
 158985
 158986
 158987
 158988
 158989
 158990
 158991
 158992
 158993
 158994
 158995
 158996
 158997
 158998
 158999



- N/C □ 501800
- N/C □ 501801
- N/C □ 501802
- N/C □ 501803
- N/C □ 501804
- N/C □ 501805
- N/C □ 501806
- N/C □ 501807
- N/C □ 501808
- N/C □ 501809
- N/C □ 501810
- N/C □ 501811
- N/C □ 501812
- N/C □ 501813
- N/C □ 501814
- N/C □ 501815
- N/C □ 501816
- N/C □ 501817
- N/C □ 501818
- N/C □ 501819
- N/C □ 501820
- N/C □ 501821
- N/C □ 501822
- N/C □ 501823
- N/C □ 501824
- N/C □ 501825
- N/C □ 501826
- N/C □ 501827
- N/C □ 501828
- N/C □ 501829
- N/C □ 501830

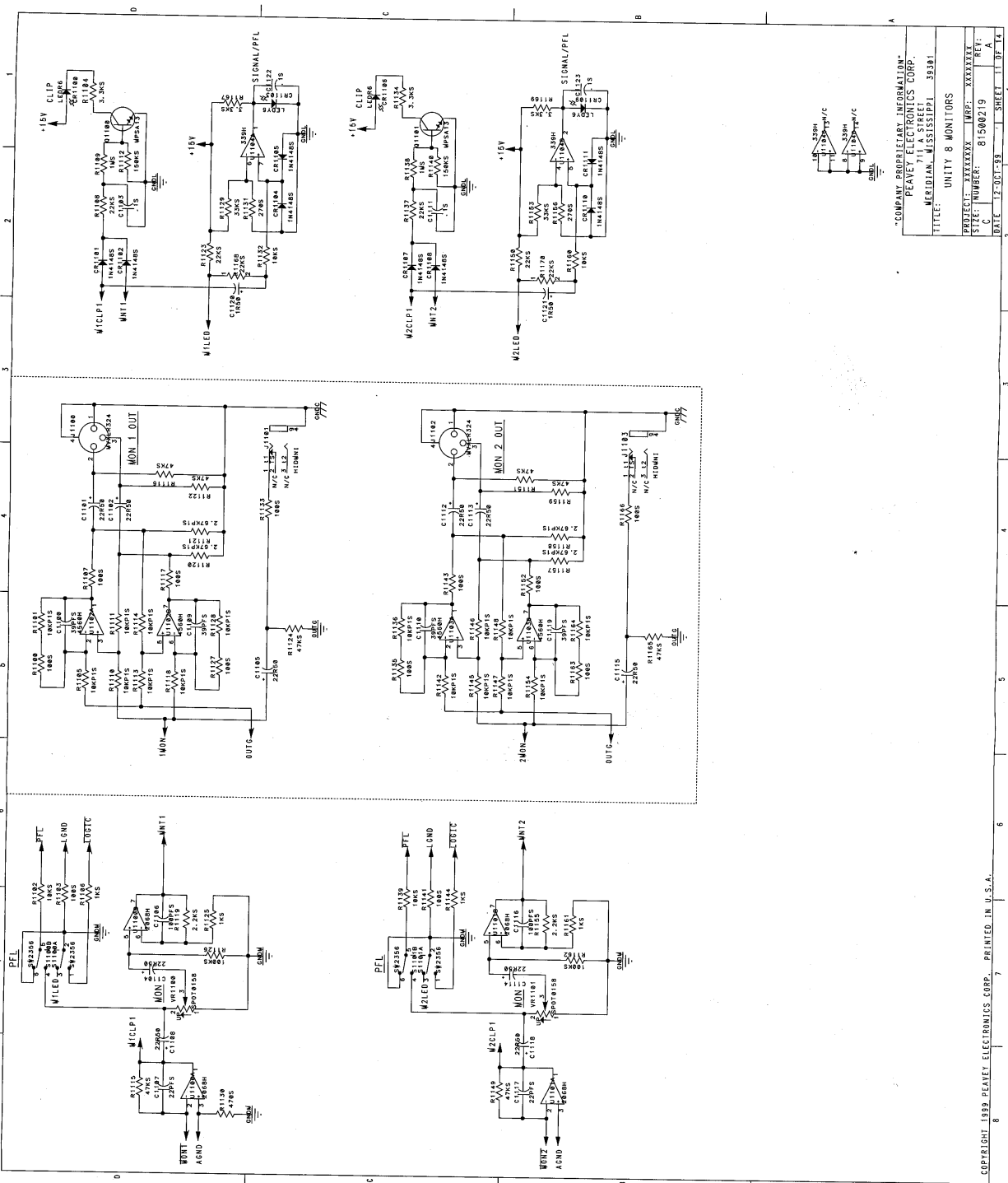
"COMPANY PROPRIETARY INFORMATION"
 PEAVEY ELECTRONICS CORP.
 711 A STREET
 MERIDIAN, MISSISSIPPI 39301
 TITLE:
 AUTOMATIC DPAMP POWER
 PROJECT: XXXXXXXX IWB: XXXXXXXX
 SHEET NUMBER: 01500219
 DATE: 12-01-89 SHEET 15 OF 15



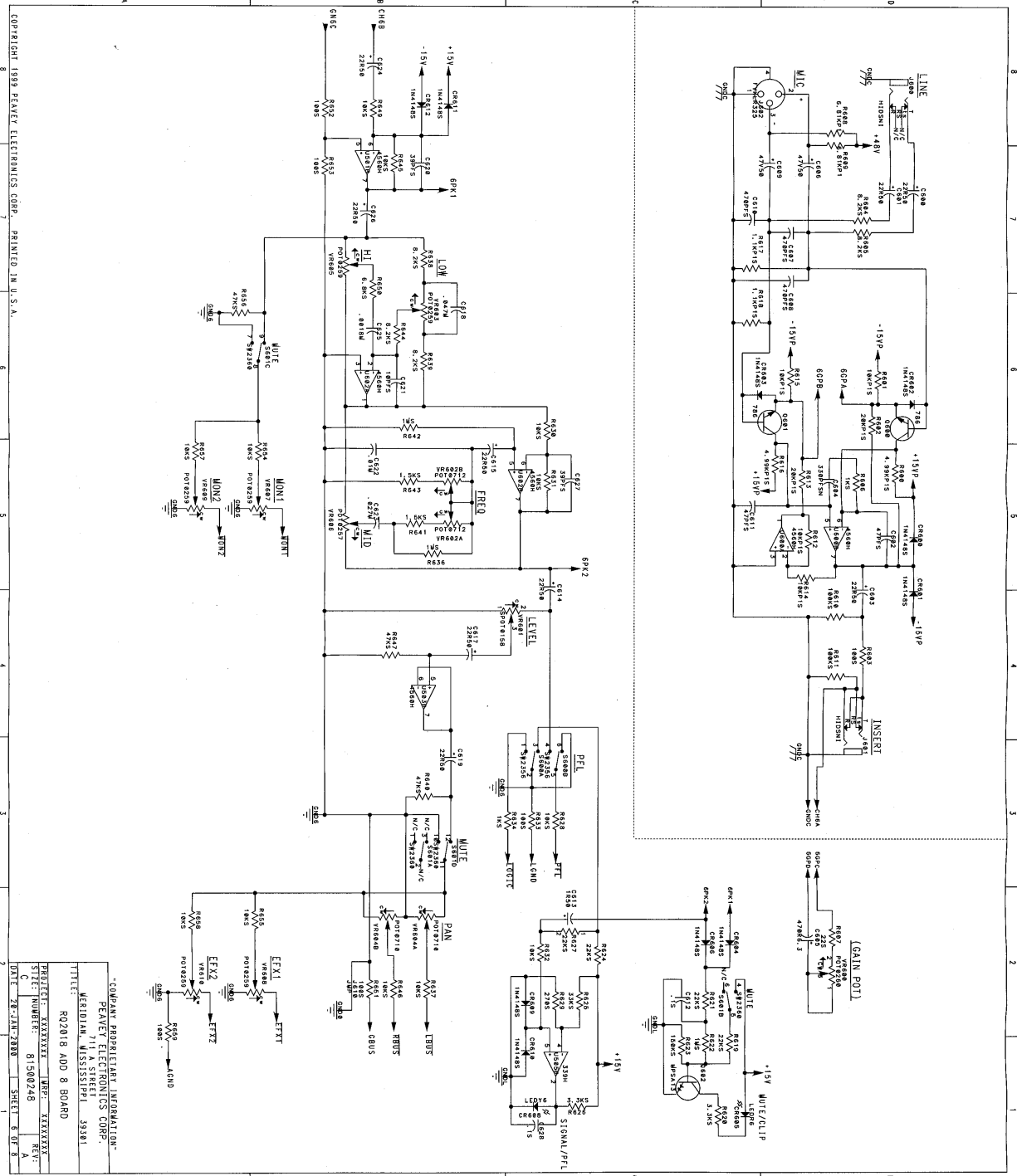
COMPANY PROPRIETARY INFORMATION

HEADPHONE
 1 2 3 4 5 6 7 8 9
 N/C - 1 2 3 4 5 6 7 8 9
 H/O - 1 2 3 4 5 6 7 8 9

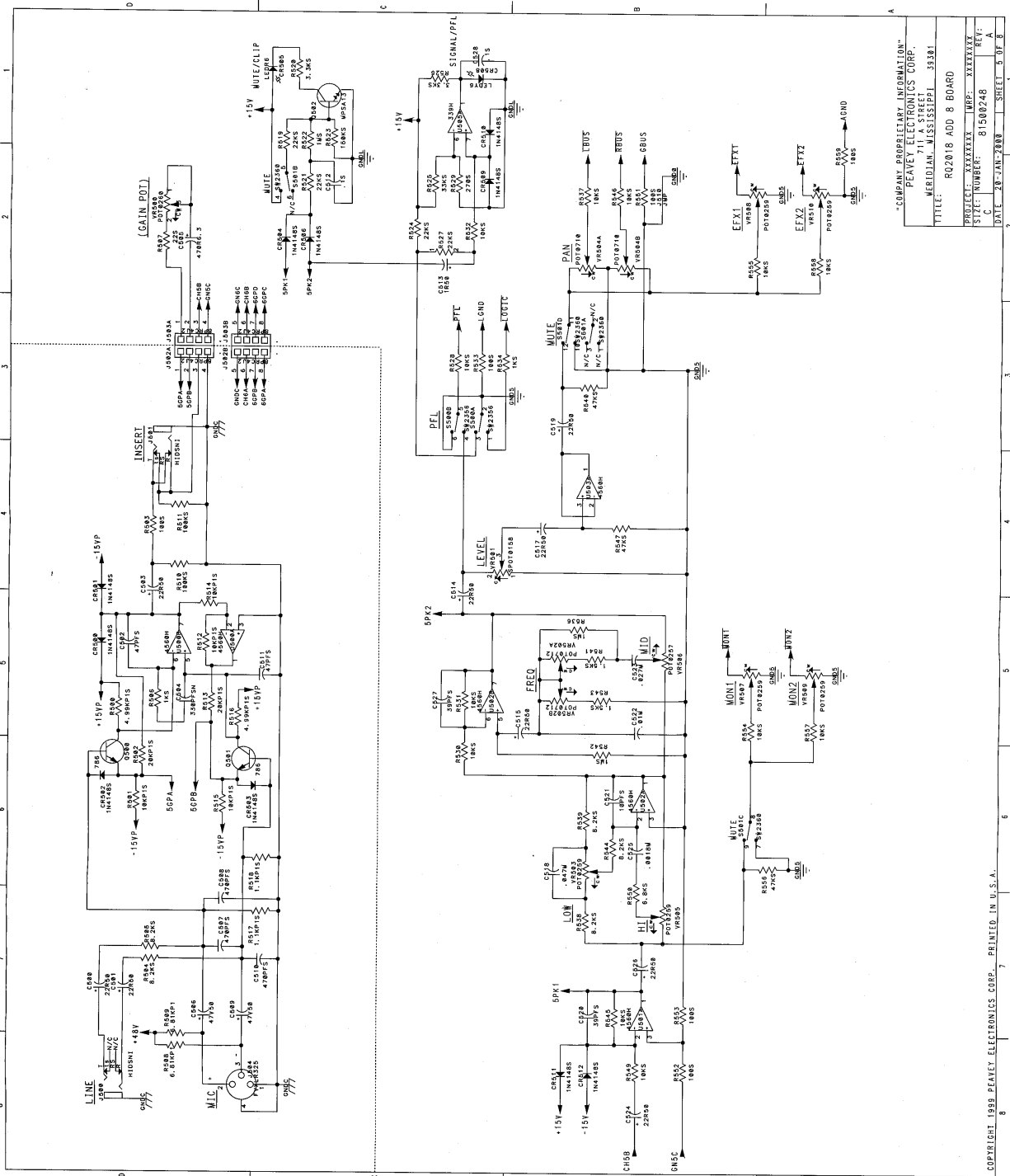
PROJECT: XXXXXXXX MR: XXXXXXXX
 TITLE: MERIDIAN 71 A STREET 38841
 UNIT 8 MASTER SECTION
 SHEET NUMBER: 81500219
 DATE: 12-01-99 SHEET: 7 OF 11



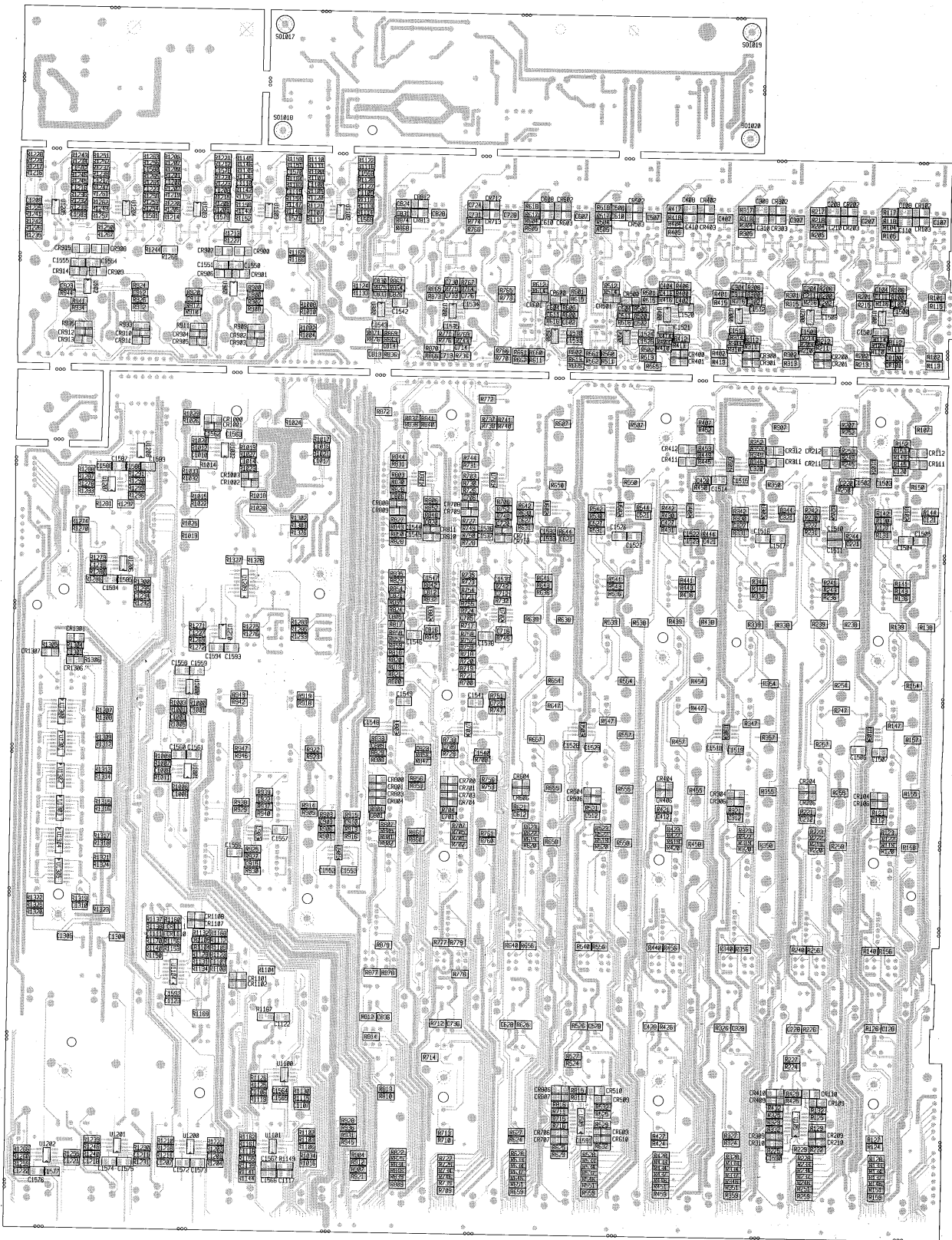
COMPANY PROPRIETARY INFORMATION -
 PEAVEY ELECTRONICS CORP.
 711 A STREET
 MERIDIAN, MISSISSIPPI 39301
 TITLE: UNITY 8 MONITORS
 PROJECT: XXXXXXXX IMP: XXXXXX
 STYLE NUMBER: 81500219 REV:
 DATE: 12-01-85 SHEET 1 OF 14



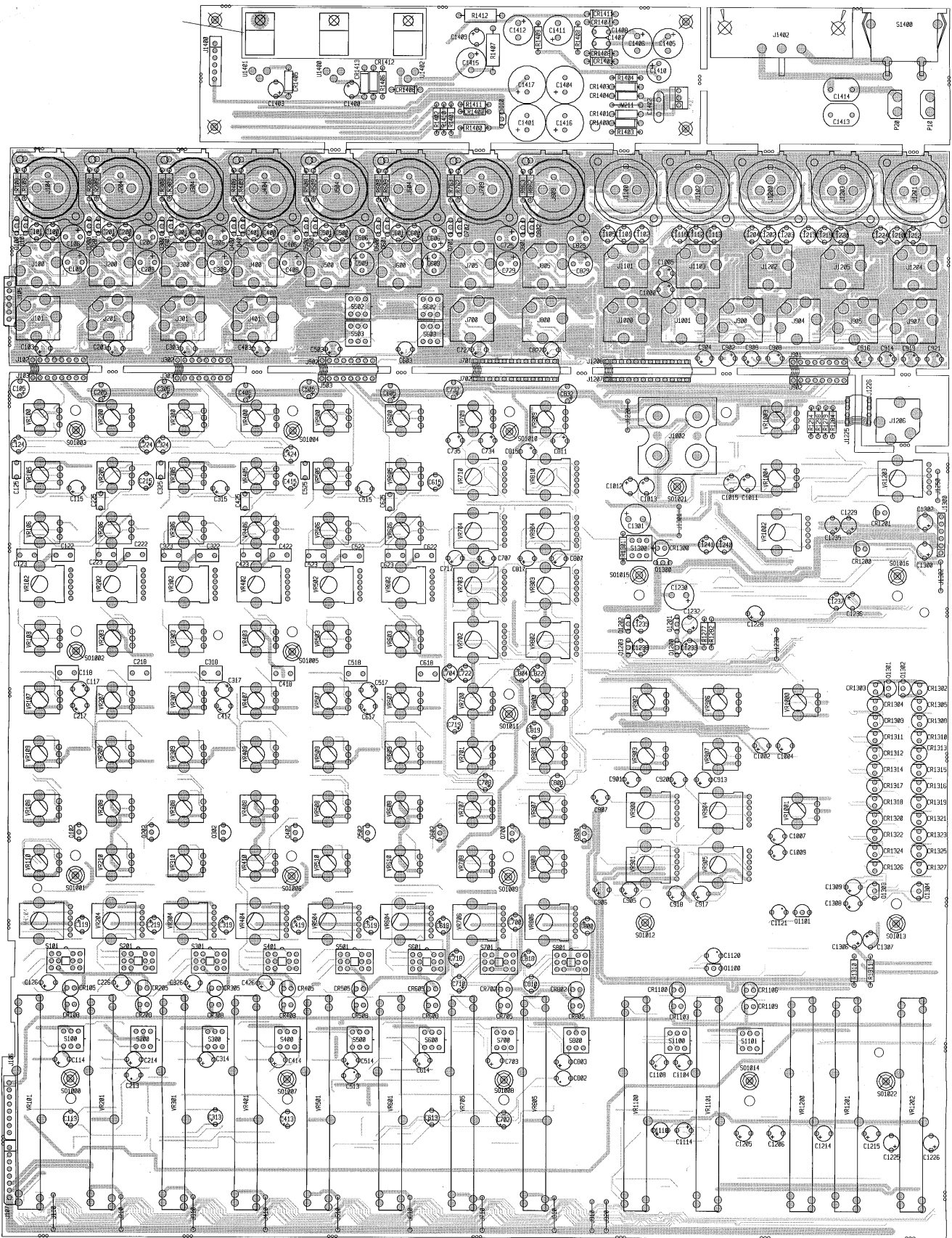
COMPANY PROPRIETARY INFORMATION -
 PEAVEY ELECTRONICS CORP.
 TITLE: WRLDLMN, MISSISSIPPI, 39101
 R02018 ADD 8 BOARD
 SHEET: 8 OF 8
 DATE: 28-JAN-7880



"COMPANY PROPRIETARY INFORMATION"
 PEAVEY ELECTRONICS CORP.
 711 A STREET
 MERIDIAN, MISSISSIPPI 39301
 TITLE: R02018 ADD 8 BOARD
 PART NO: XXXXXXXX IMP: XXXXXXXX
 SIZE: XXXXXXXX
 C NUMBER: 81500248
 DATE: 28-JAN-78R8 SHEET: 5 OF 8



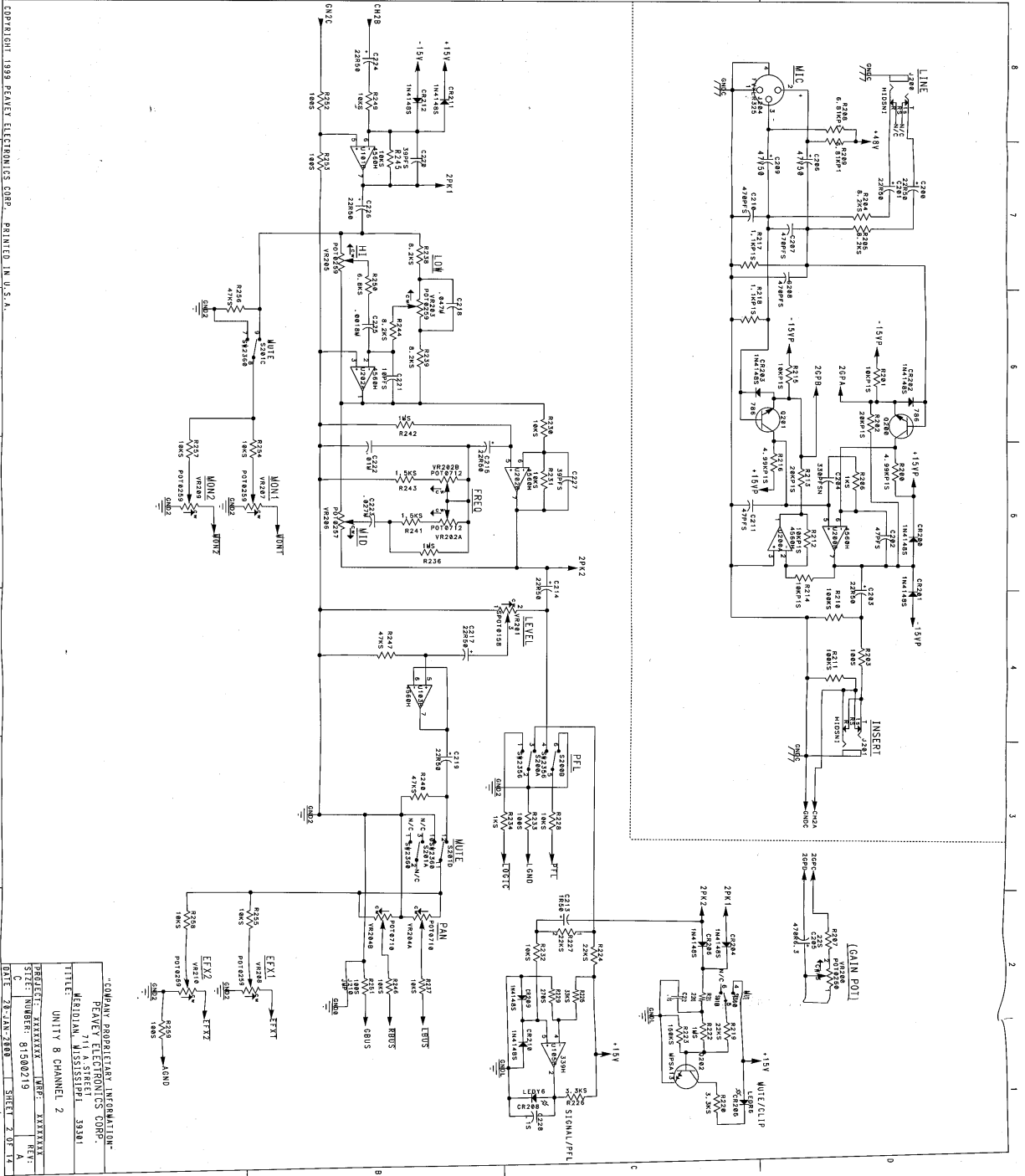
RQ2310
secondary side



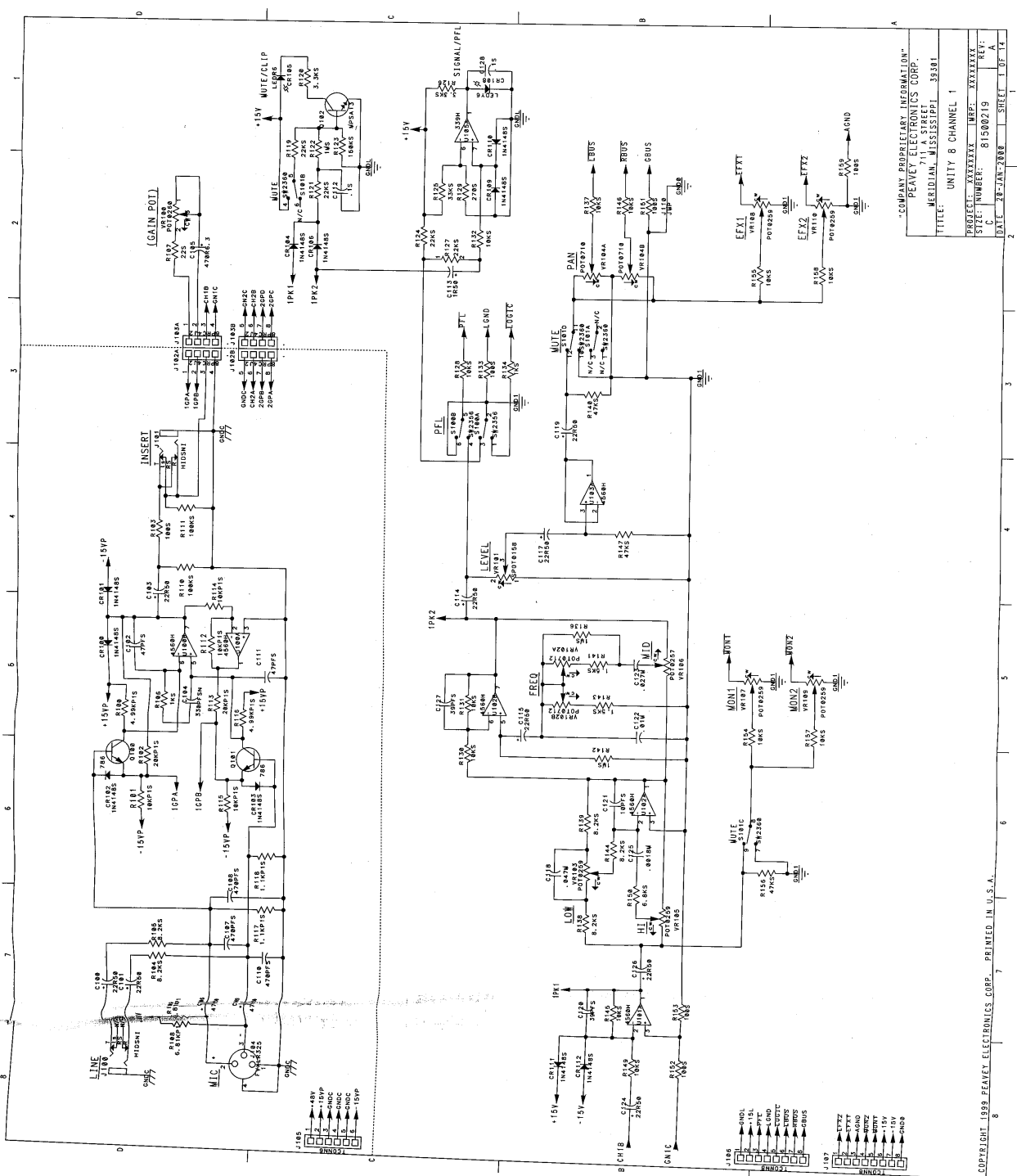
Item
00444160

RQ2310
primary side

TRANS
705 97440



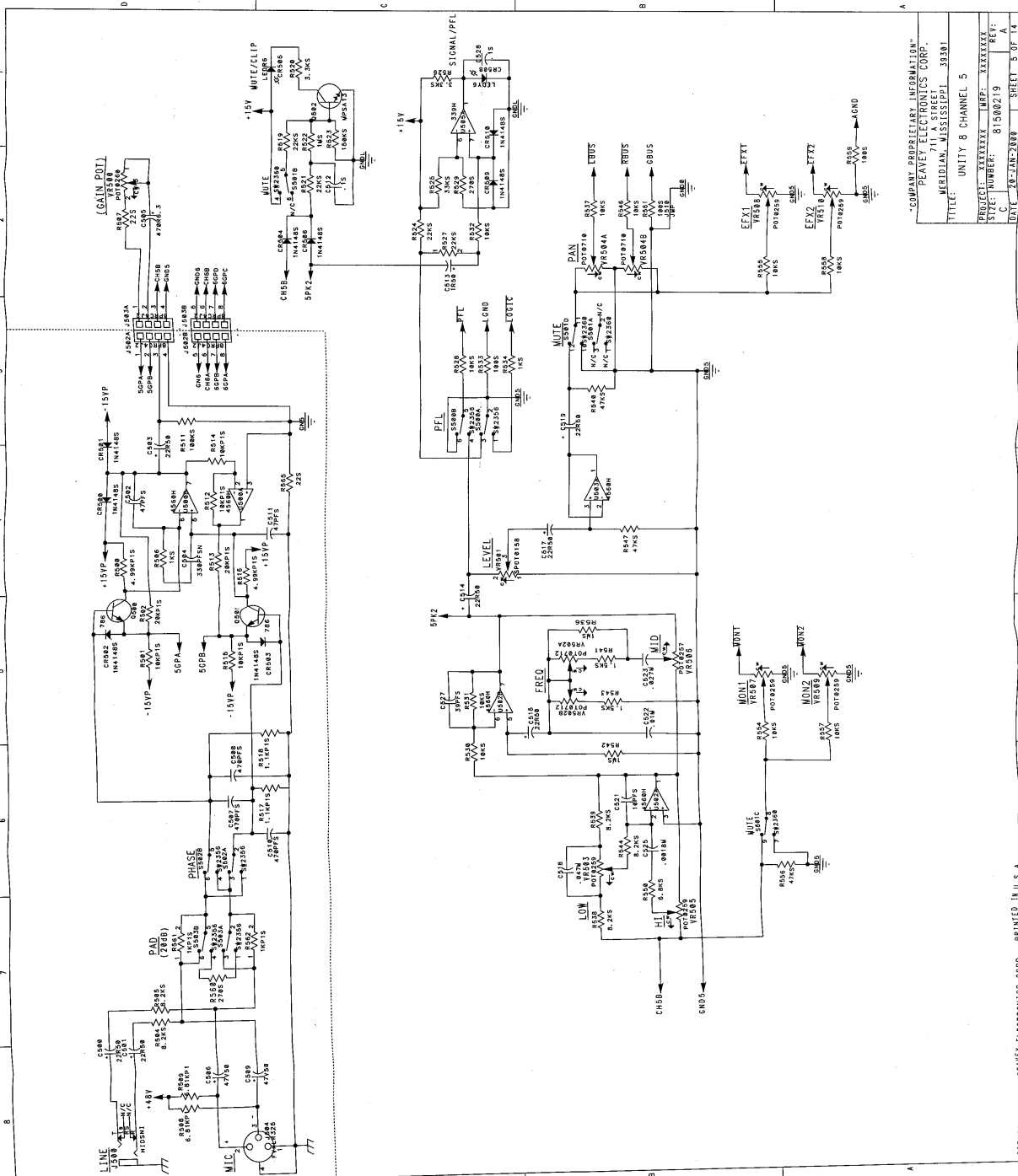
COMPANY PROPRIETARY INFORMATION	
PEAVEY ELECTRONICS CORP.	
1714 S. STREET	
MERIDIAN, MISSISSIPPI 39301	
TITLE: UNITY 8 CHANNEL 2	
PREFECT: XXXXXXXX	WRF: XXXXXXXX
SIZE: NUMBER: 81500219	DATE: 8-1-88
DR: 27 JAN 2000	SHEET: 2 OF 12



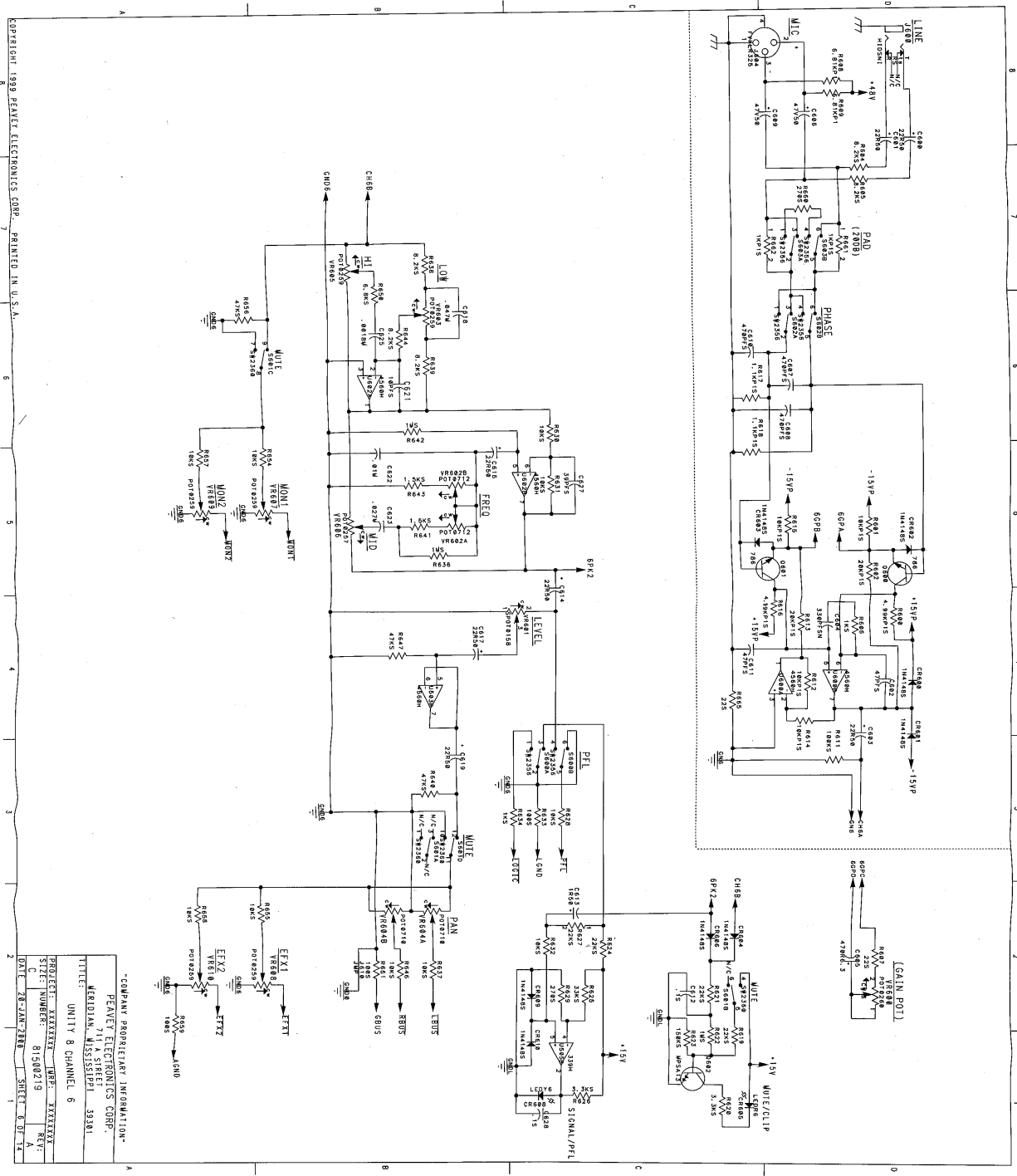
COMPANY REGISTRATION INFORMATION:
 PEAVEY ELECTRONICS CORP.
 711 A STREET
 MERIDIAN, MISSISSIPPI 39301

TITLE: UNITY 8 CHANNEL 1

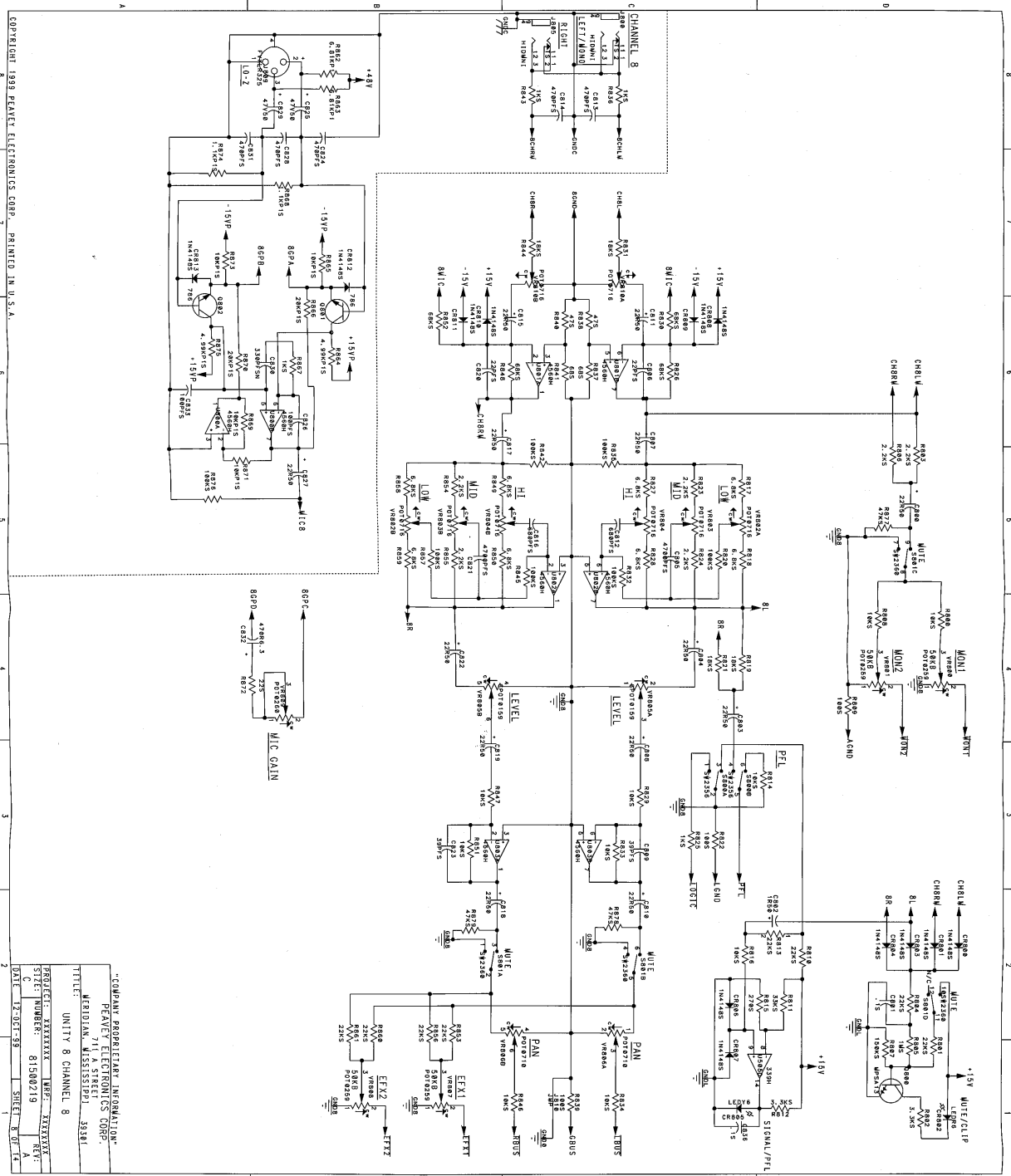
PROJECT: XXXXXXXX BRP: XXXXXX
 C.A. NUMBER: 81500219 REV: 1
 DATE: 28-JAN-2008 SHEET: 1 OF 14



COMPANY PROPRIETARY INFORMATION
 PEAVEY ELECTRONICS CORP.
 711 A STREET
 HIGHLAND, MISSISSIPPI 39801
 TITLE: UNITY 8 CHANNEL 5
 PROJECT: XXXXXX
 STYLE NUMBER: 81500219
 REV: A
 DATE: 28-JAN-2008 SHEET 5 OF 14

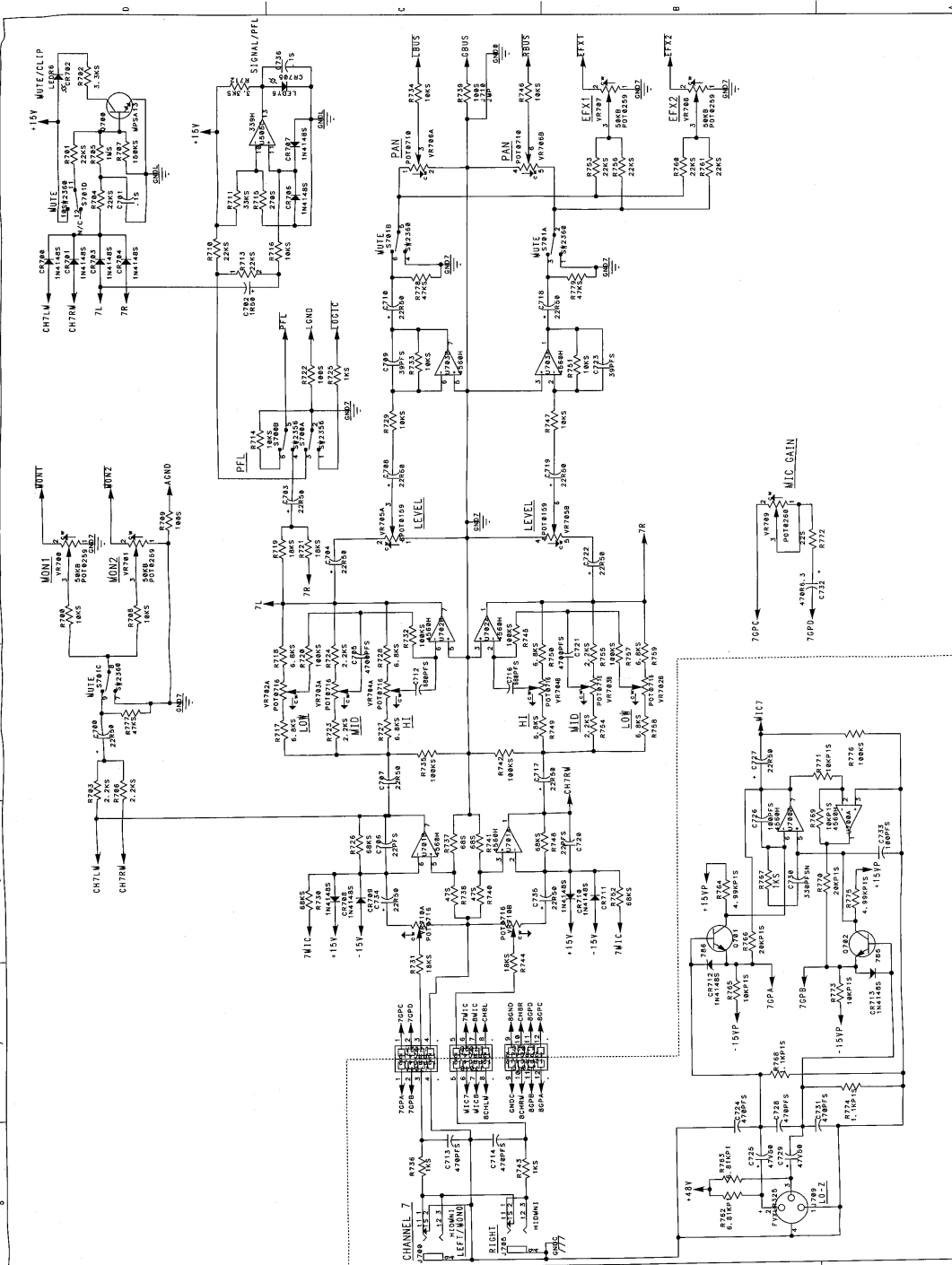


COMPANY PROPRIETARY INFORMATION
 PEVEY ELECTRONICS CORP.
 714 STREET
 WOODLAND, MASSACHUSETTS 01981
 UNITY 8 CHANNEL 6
 TELEPHONE: XXXXXXXX
 TELETYPE: XXXXXXXX
 FAX: XXXXXXXX
 SIZE NUMBER: 81500219
 DATE: 28-JAN-2008 SHEET: 6 OF 7

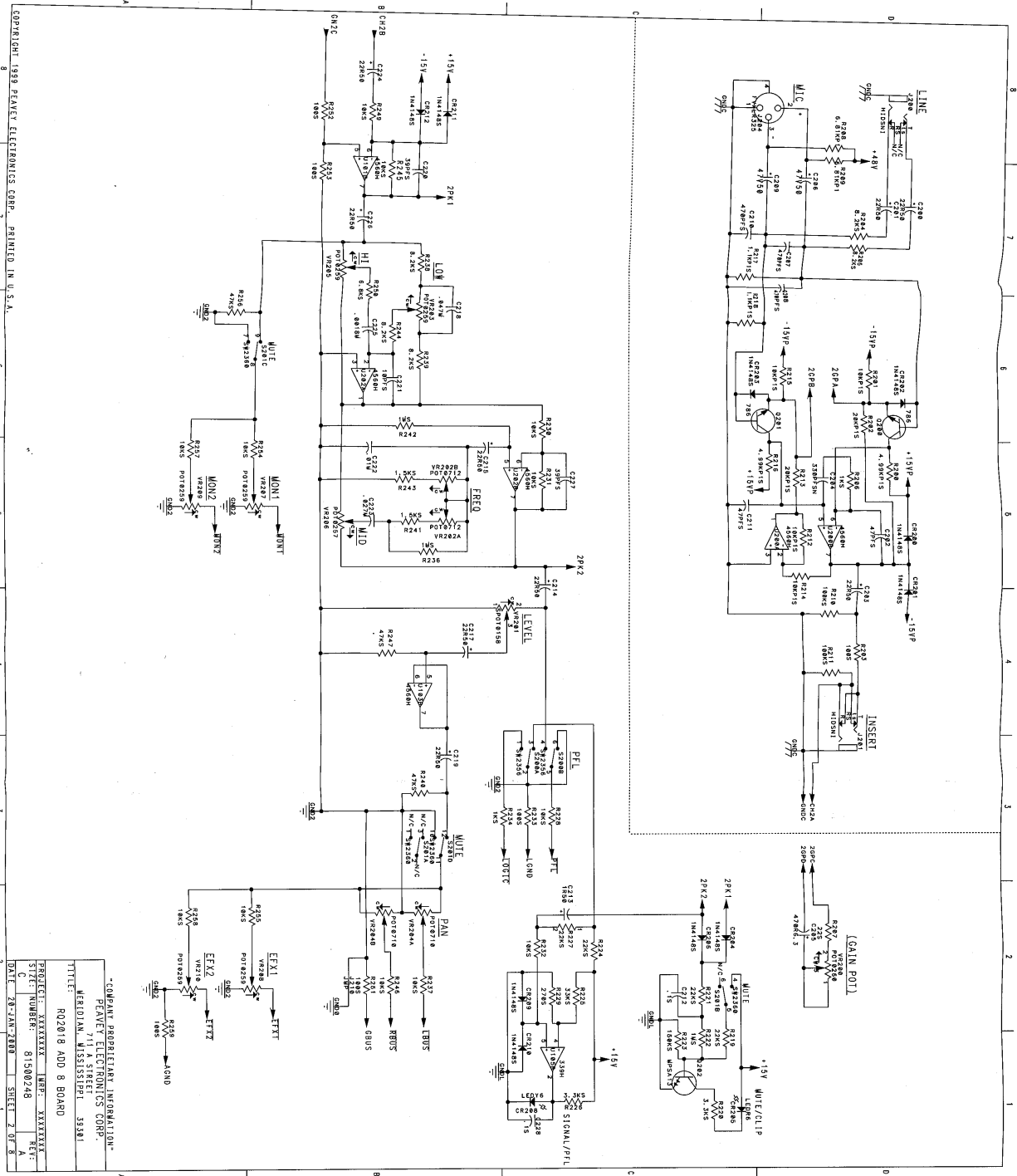


COMPANY PRODUCTION INFORMATION
 PEAVET ELECTRONICS CORP.
 711 A STREET
 MERIDIAN, MISSISSIPPI 39301

TITLE: UNITY 8 CHANNEL 8
 PROJECT: XXXXXXXX IMP: XXXXXX
 S.C.: XXXXXXXX 81500219
 DATE: 7-30-73 SHEET: 8 OF 14

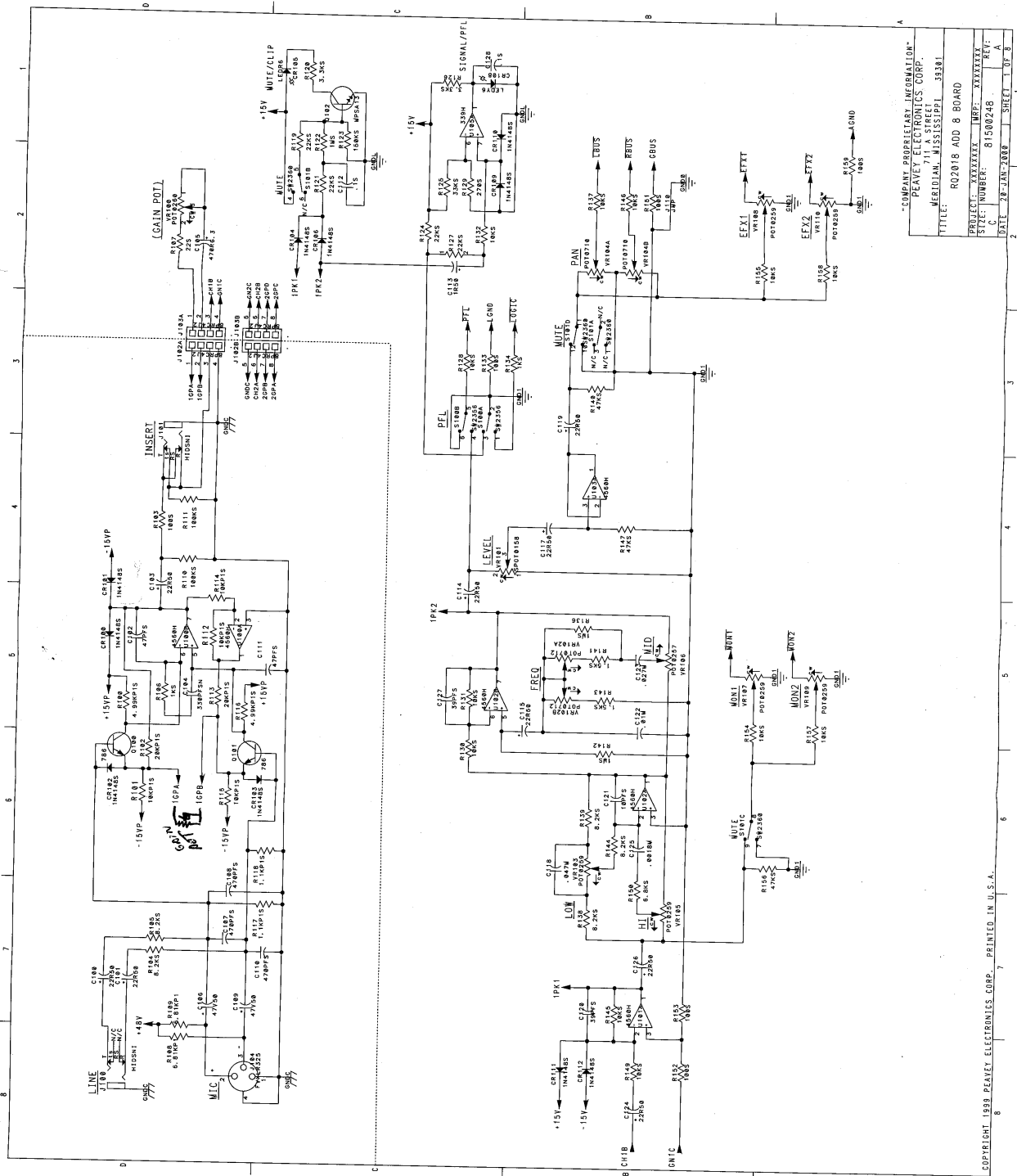


"COMPANY PROPRIETARY INFORMATION"
 PEAVEY ELECTRONICS CORP.
 711 A STREET
 MERIDIAN, MISSISSIPPI 39301
 TITLE: UNITY 8 CHANNEL 7
 PROJECT: 84545818 QP: 45545818
 SIZE: NUMBERS: 815002/9
 DATE: 12-06-79 SHEET 7 OF 14

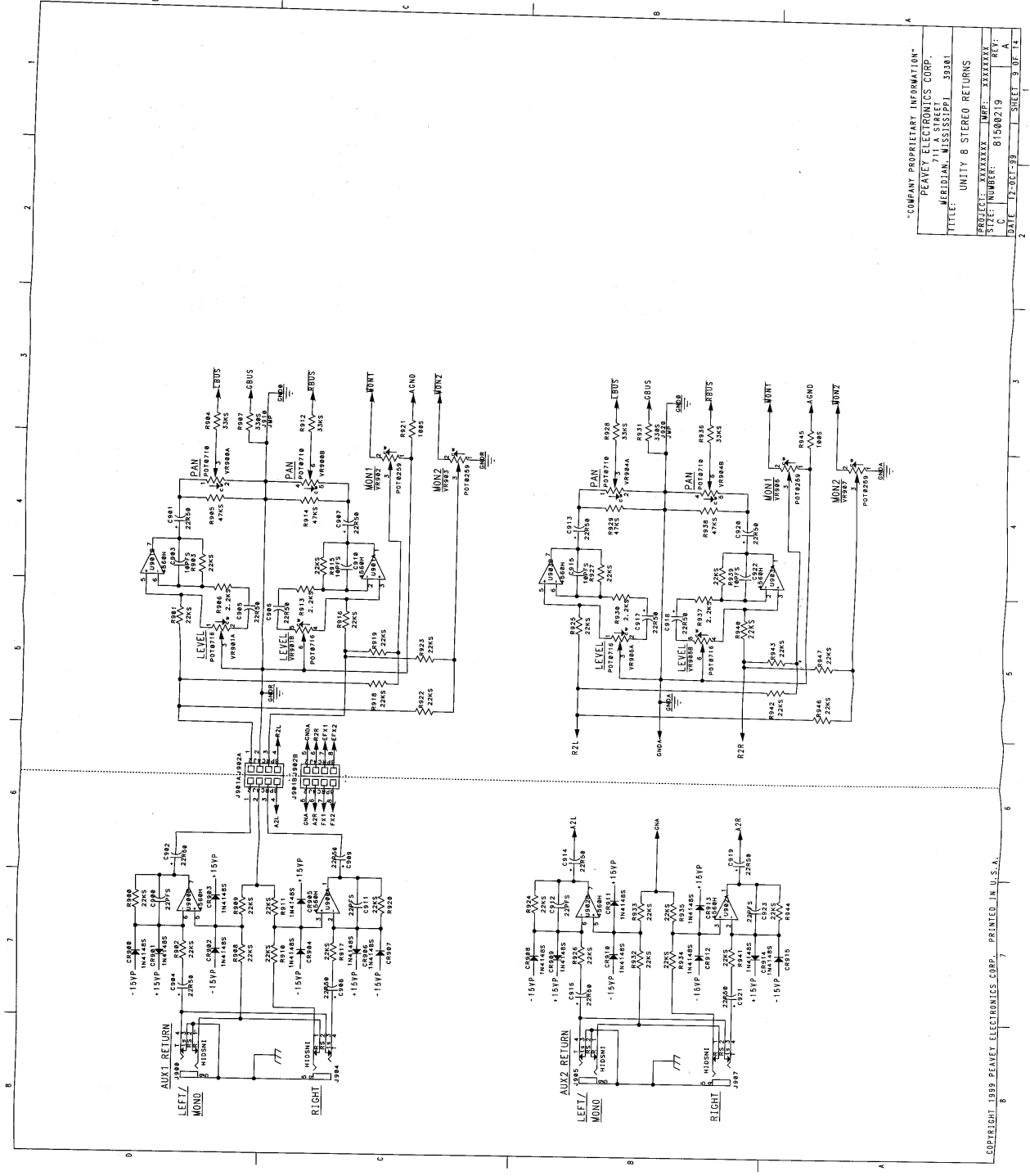


Copyright 1988 Feaver Electronics Corp. Printed in U.S.A.

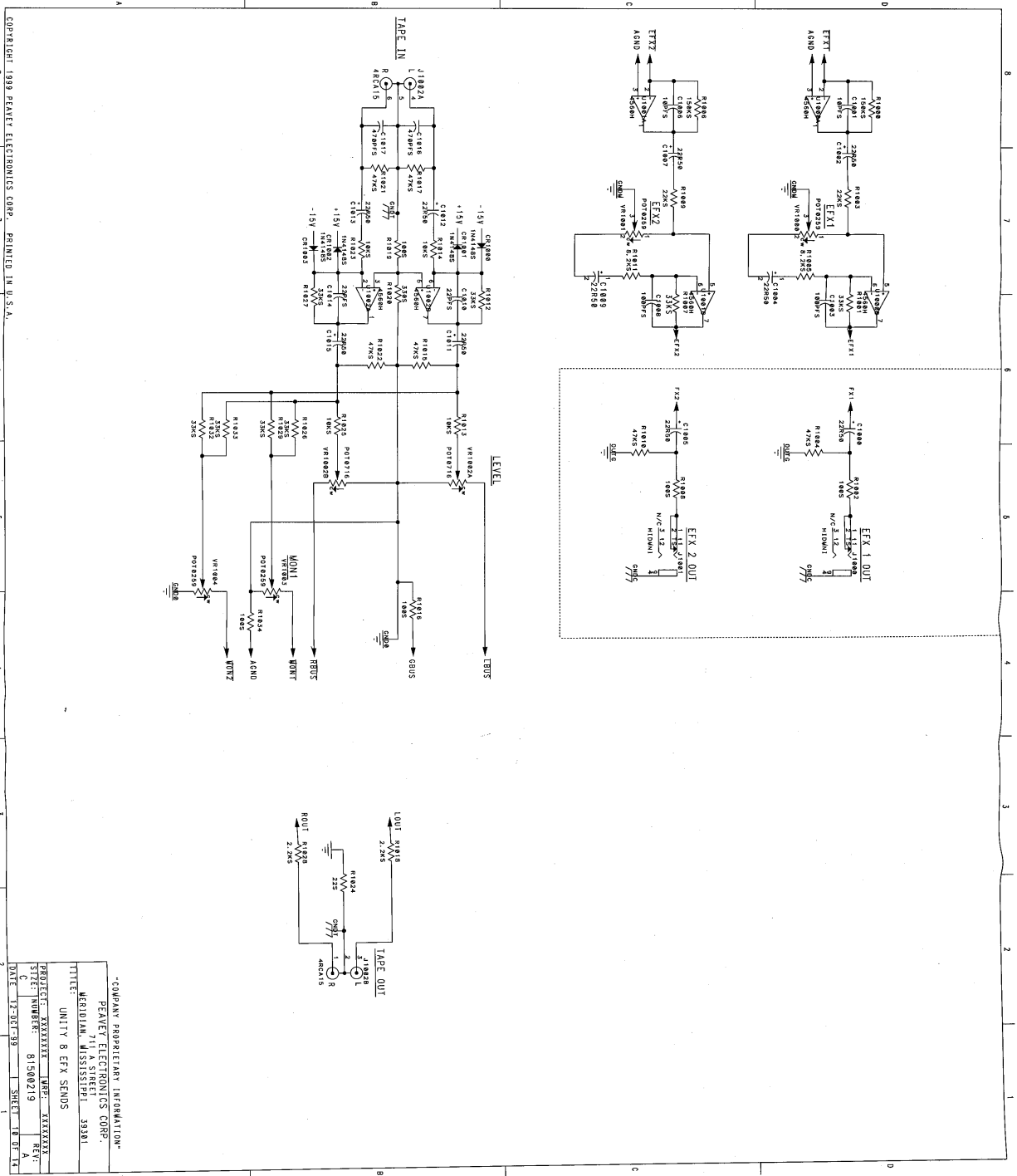
-COMPANY REGISTRATION INFORMATION-
 FEAVER ELECTRONICS CORP.
 711 A STREET
 MERIDIAN, MISSISSIPPI 39301
 PROJECT: XXXXXXXX ITRF: XXXXXXXX
 PART: XXXXXXXX
 S.C. NUMBER: 81500248
 DATE: 28-JAN-2008 SHEET: 2 OF 8



COMPANY PROPRIETARY INFORMATION
 PEAVEY ELECTRONICS CORP.
 MERIDIAN, MISSISSIPPI 38381
 TITLE: RQ2018 ADD 8 BOARD
 PROJECT: XXXXXXXX IWF: XXXXXXXX
 S/C: NUMBER: 81-00248 REV: A
 DATE: 28-JAN-1988 SHEET: 1 OF 8

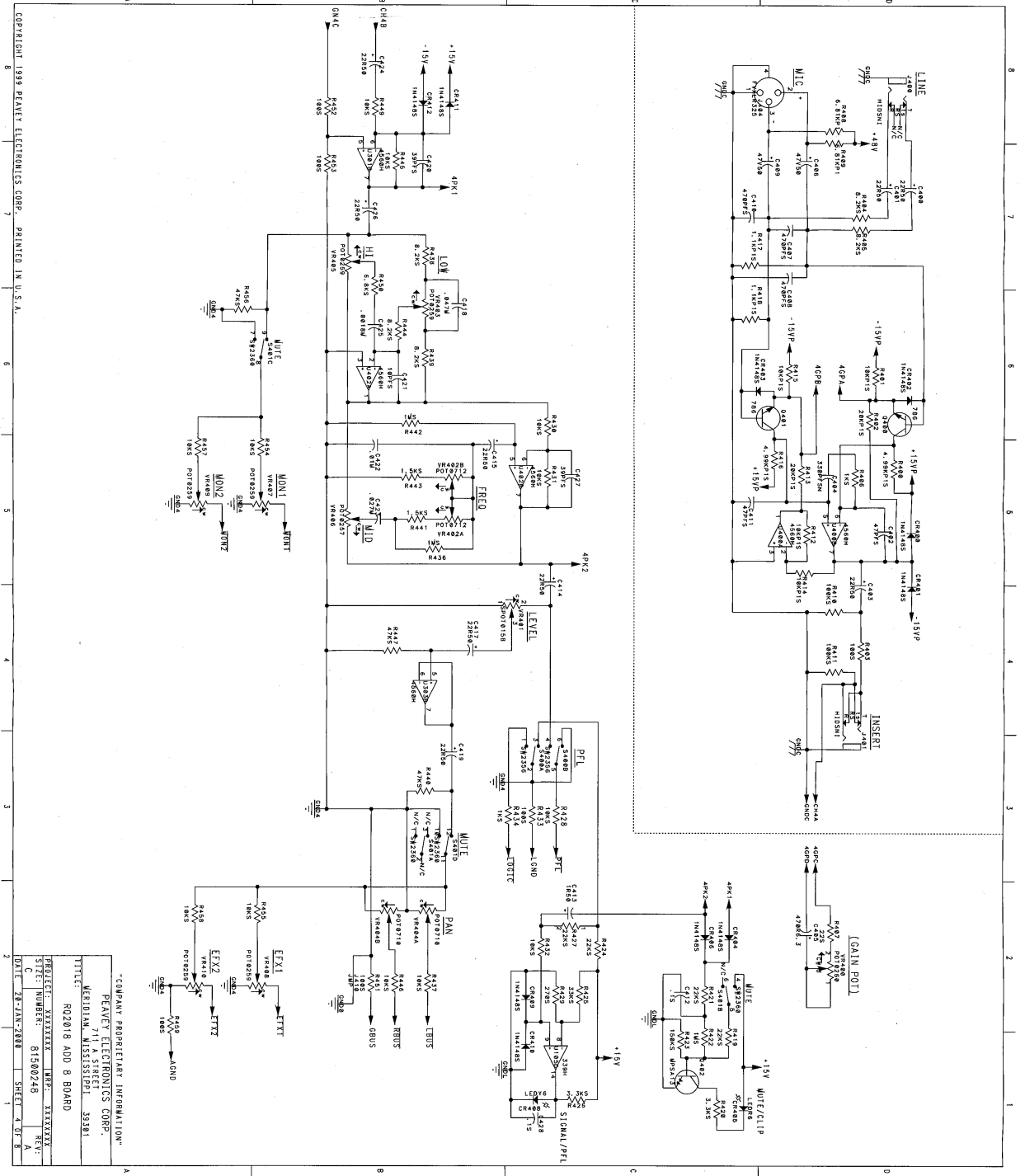


"COMPANY PROPRIETARY INFORMATION"
 PEAVEY ELECTRONICS CORP.
 1100 S. STATE ST.
 MERIDIAN, MISSISSIPPI 39301
 TITLE: UNITY 8 STEREO RETURNS
 PROJECT: XXXXXXXX IMP: XXXXXX
 SIZE: NUMBER: 81500219 REV: XXXXXX
 DATE: TR. REV: 89 SHEET 9 OF 14

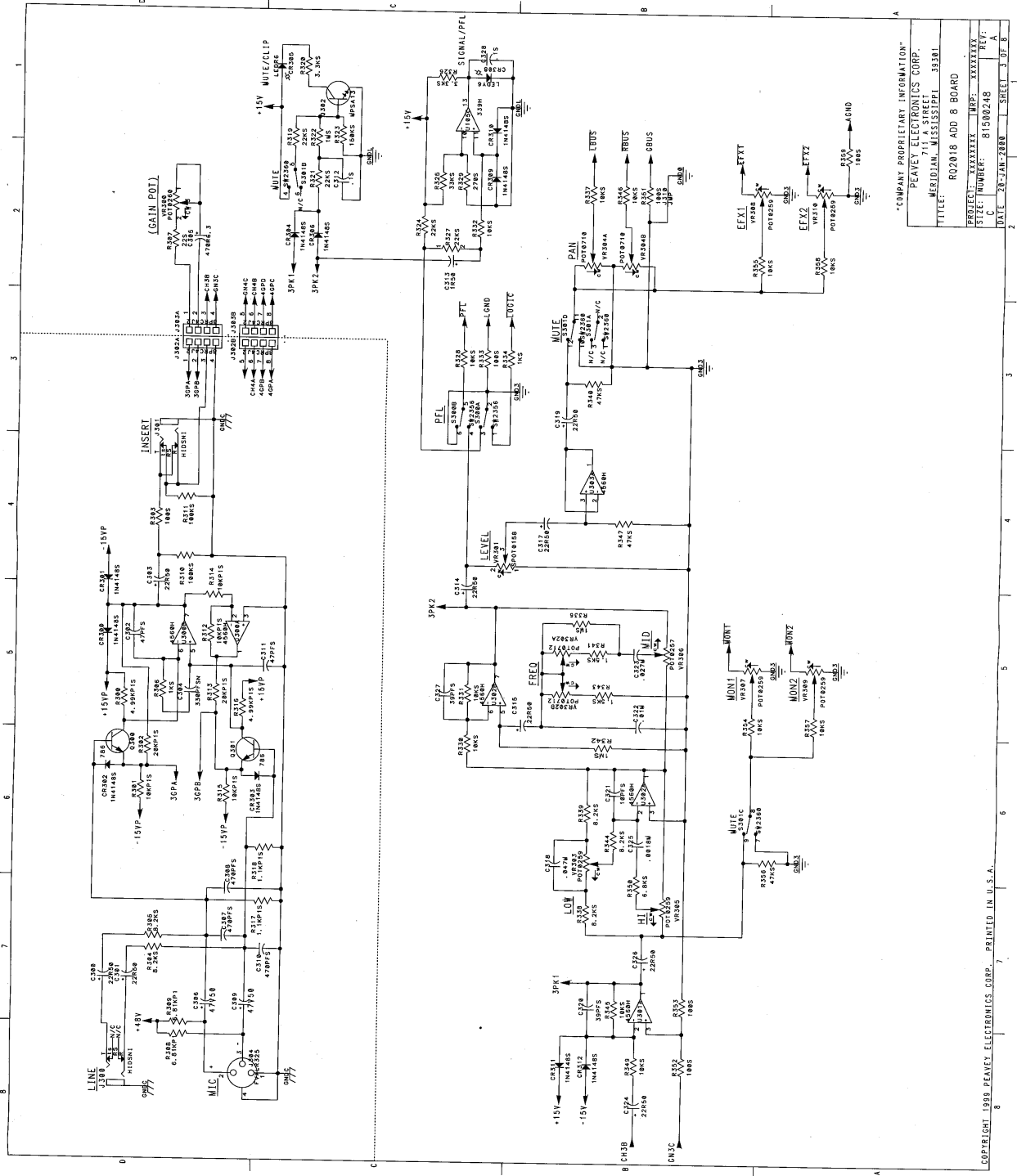


COMPANY PROPRIETARY INFORMATION
 PEAVEY ELECTRONICS CORP.
 711 A STREET
 WARDHAM, MASSACHUSETTS 01981
 TITLE: UNITY 8 EFX SENDS
 PROJECT: XXXXXXXX VER: XXXXXXXX
 SIZE: NUMBER: 01500219 REV: A
 DATE: 12-01-89 SHEET 18 OF 18

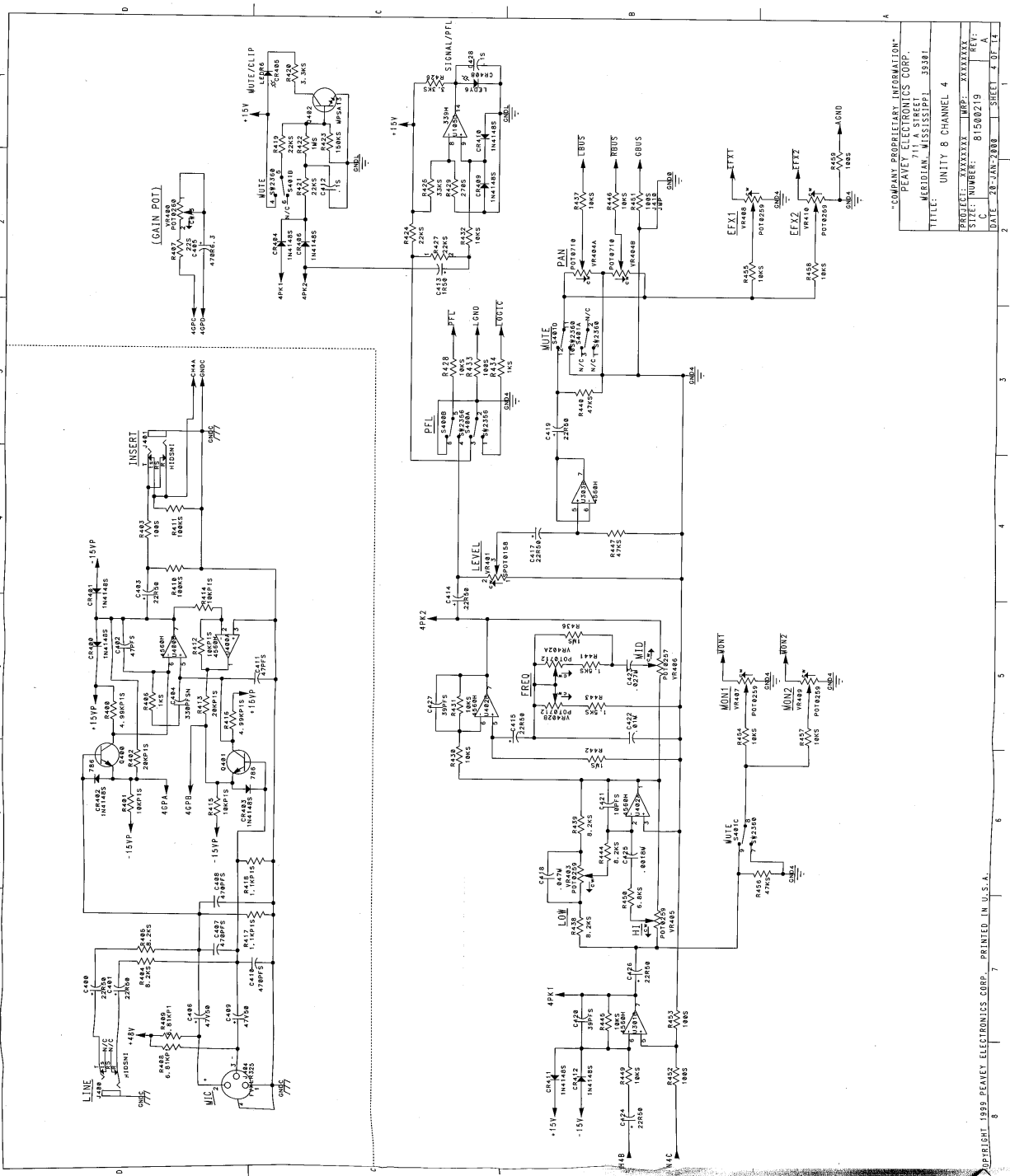
COPYRIGHT 1989 PEAVEY ELECTRONICS CORP. PRINTED IN U.S.A.



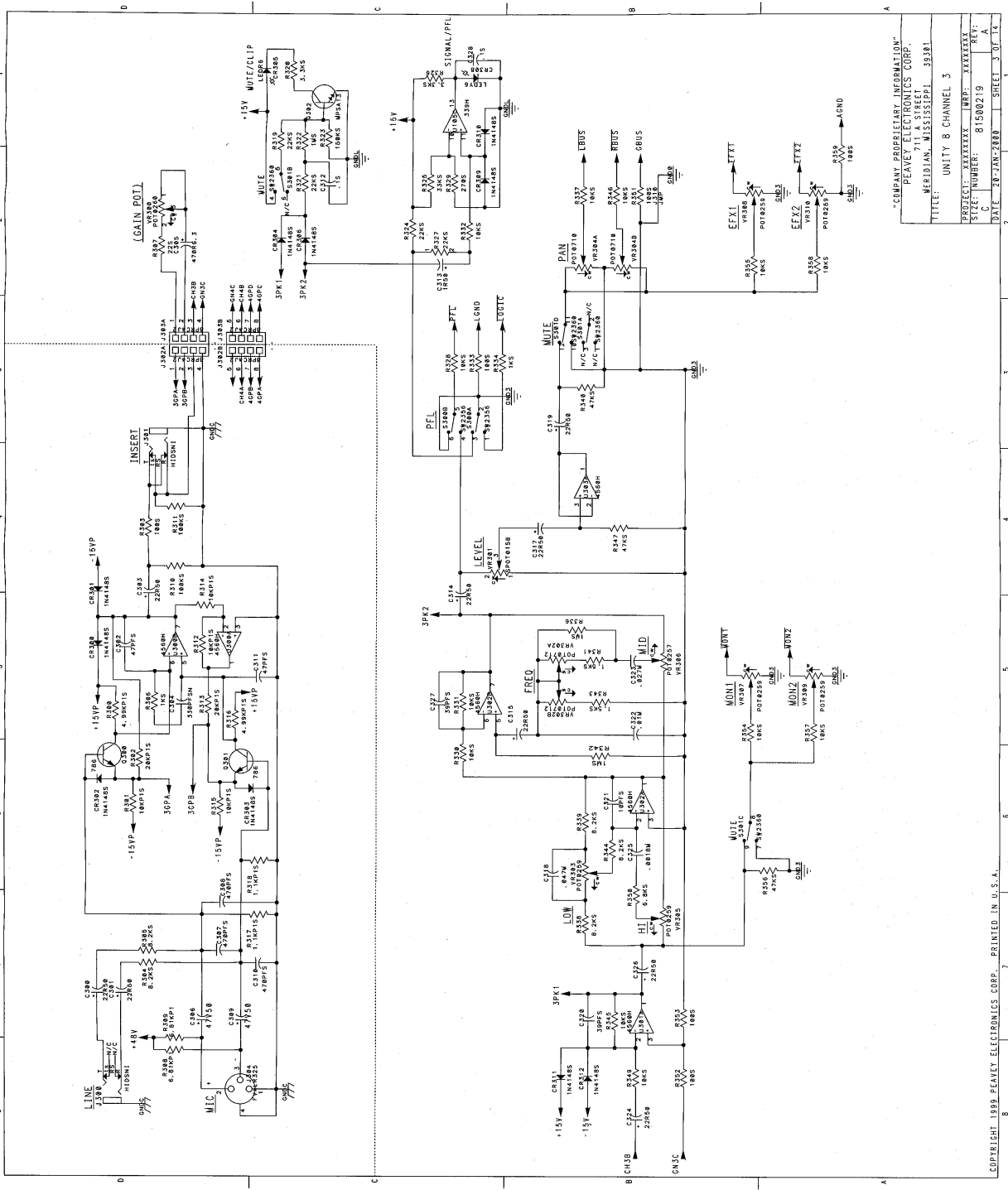
COMPANY PROPRIETARY INFORMATION
 PEAVEY ELECTRONICS CORP.
 MERIDIAN, MISSISSIPPI 38901
 R02018 ADD B BOARD
 PROJECT: XXXXXX IMP: XXXXXX
 SIZE: NUMBER: 81500248 REV: A
 DATE: 28-JAN-7888 SHEET: 4 OF 8



"COMPANY PROPRIETARY INFORMATION"
 PEAVEY ELECTRONICS CORP.
 711 A STREET
 MERIDIAN, MISSISSIPPI 39301
 TITLE: R02018 ADD 8 BOARD
 PROJECT: XXXXXX MFG: XXXXXX
 SIZE: NUMBER: 81500248 KEY: A
 C DATE: 28-JAN-2000 SHEET: 3 OF 8



"COMPANY PROPRIETARY INFORMATION"
 PEAVEY ELECTRONICS CORP.
 1111 S. STATE ST.
 MERIDIAN, MISSISSIPPI 39301
 TITLE: UNITY 8 CHANNEL 4
 PROJECT: XXXXXXXX URP: XXXXXXXX
 SIZE: NUMBER: 81500219 REV: A
 DATE: 28-JAN-2008 SHEET: 4 OF 14



COMPANY PROPRIETARY INFORMATION
 PEAVEY ELECTRONICS CORP.
 711 A STREET
 MERIDIAN, MISSISSIPPI 39301
 TITLE: UNITY 8 CHANNEL 3
 DESIGNED BY: XXXXXX IMP: XXXXX
 SIZE: NUMBER: 81500219 REV: A
 DATE: 28-JAN-2000 SHEET: 3 OF 14