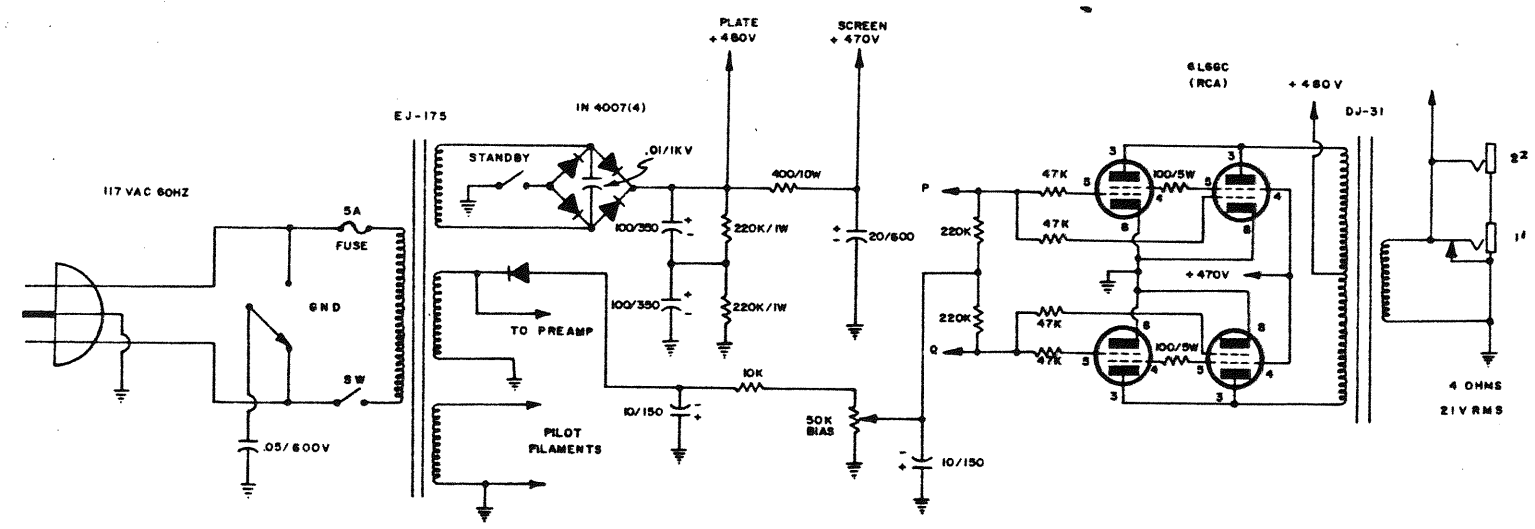


NOTE
 & ALL TRANSISTORS SPS 953 UNLESS OTHERWISE NOTED
 ALL RESISTORS 1/2W UNLESS OTHERWISE NOTED
 ALL CAPACITORS IN MFD UNLESS OTHERWISE NOTED
 ALL DIODES 1A, 200PV UNLESS OTHERWISE NOTED



VINTAGE