

REV	Eng	Date:	Revision Description	ECN#
A				
B				
C				
D				
E				
F				

INDEX

SHEET	DESCRIPTION

A

A

B

B

Note: All thru hole Resistors are 1/4 Watt unless otherwise indicated.  
 All SMT 1206 Resistors are 1/4 Watt.  
 All SMT 0805 Resistors are 1/10 Watt.  
 Note Capacitor Values are indicated as Follows:  
 val P = pF (picoFarads) val \* 10 exp-12  
 val N = nF (nanoFarads) val \* 10 exp-9 (1N=1000pF, 100N=0.1uF)  
 val U = uF (microFarads) val \* 10 exp-6

\*Company Proprietary Information\*



Product: **DSP\_15W**  
 Title: **PWRAMP**

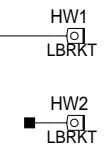
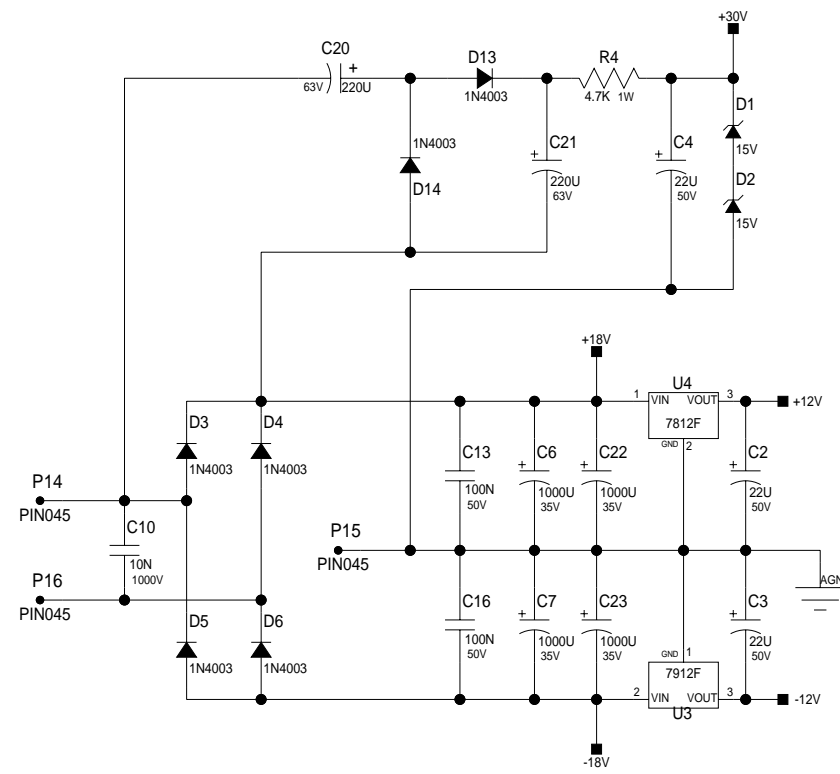
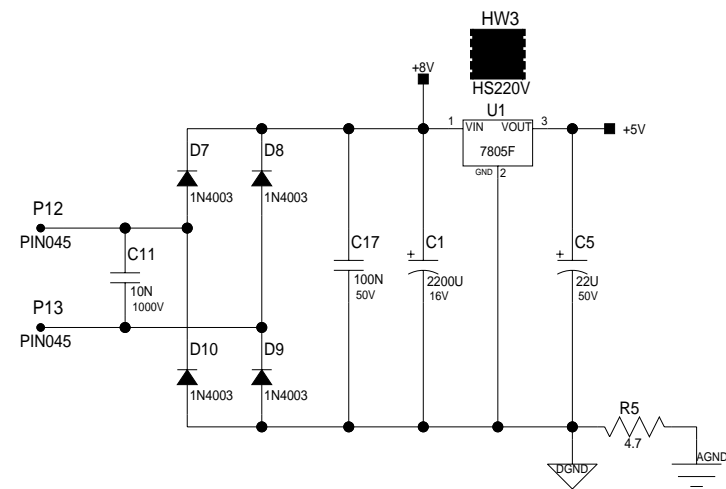
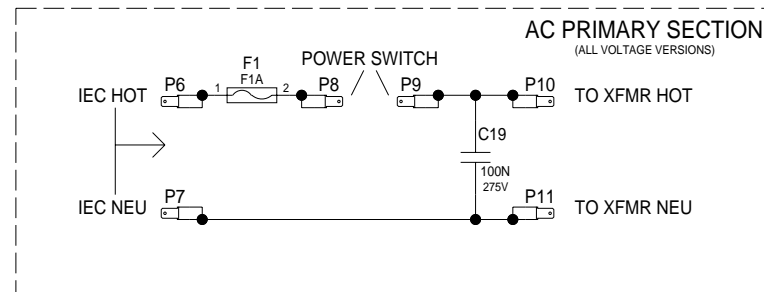
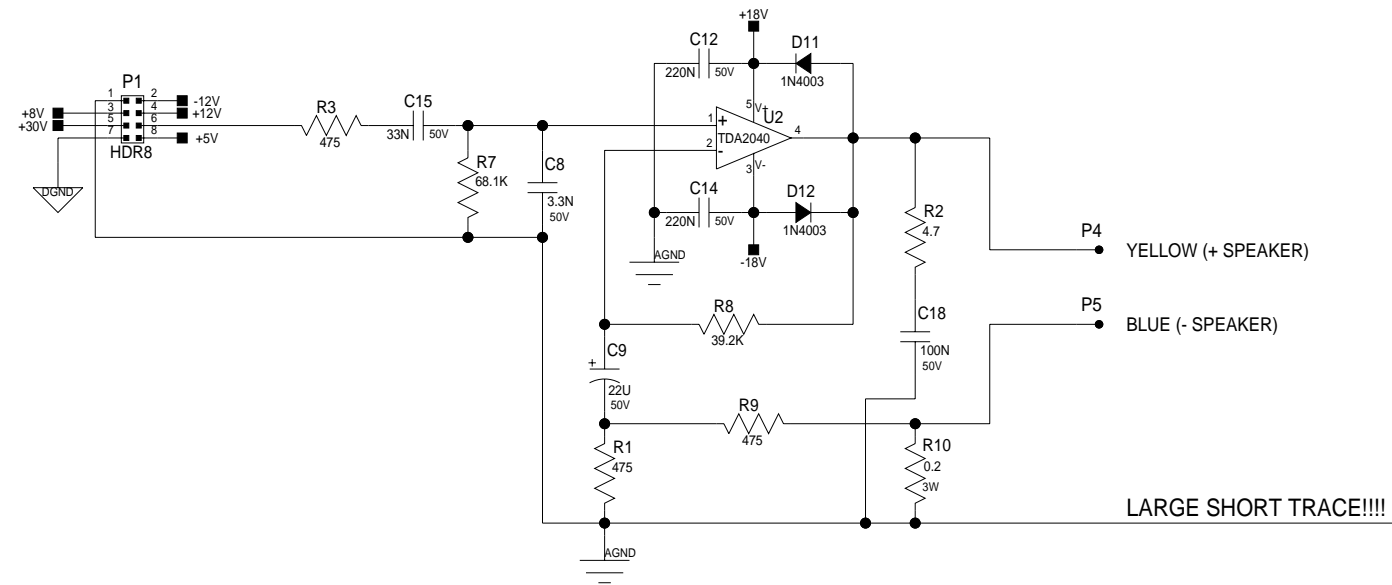
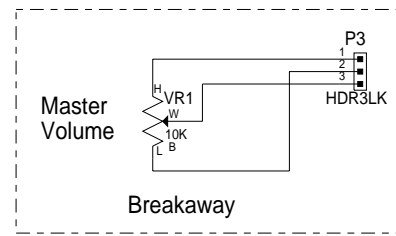
Project Number:

Eng: Release Date:

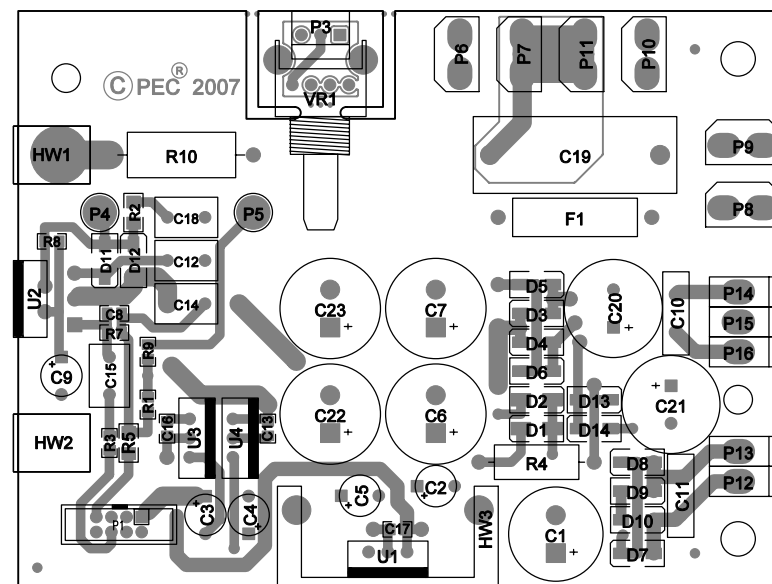
C Sheet 1 of 2 Saved: 8-13-2008\_12:11

Patents:

Copyright Peavey Electronics Corporation 2008.



Title: VYPYR 15  
Sheet Title: POWER AMP



BILL OF MATERIAL REPORT  
-----

REPORT DATE/TIME: 8/18/2008 8:39:06 AM

BOARD NAME: VYPYR 15 Power Amp      ASSEMBLY LEVEL NUMBER: 29098431

PROJECT NUMBER: P0600077      DESIGNER: JTH

Qty.	Part #	Description	Reference Designators
--			
1	30200041	4.7      1/4W   5% MF 1206	R2
1	30200259	39.2K    1/10W 1% MF 0805	R8
1	30200335	68.1K    1/10W 1% MF 0805	R7
3	30200356	475      1/10W 1% MF 0805	R1 R3 R9
1	30200362	4.7   1/4W   5% FUSIBLE 1206	R5
1	30210006	4700    1W      5% MO AXL	R4
1	30250099	0.2---3W-----5%---MO--T&R	R10
3	30300093	0.1UF   50V 10% X7R 0805	C13 C16 C17
1	30300145	3300PF   50V 5% X7R 0805	C8
5	30320181	22UF    50V 20% EL   RAD	C2 C3 C4 C5 C9
4	30320186	1000UF   35V 20% EL   RAD	C6 C7 C22 C23
2	30320248	0.01UF 1000V 80-20% Z5U RAD	C10 C11
1	30320298	0.1UF    275V 20% "X" RADH	C19
2	30320566	220UF    63V 20% EL   LOW ESR	C20 C21
1	30320674	2200UF   16V 20% EL   RAD	C1
1	30330115	0.033UF   50V   5% PE   RAD	C15
2	30330128	0.22UF   50V   5% PE   RAD	C12 C14
1	30330129	0.1UF    50V   5% PE   RAD	C18
1	30400315	7912F -12V INSUL TO-220F	U3
1	30400321	7812F +12V VREG TO-220F	U4

1	30400322	7805F +5V INSUL TO-220F	U1
1	30402040	TDA-2040 PWRAMP HOR.MNT	U2
12	30418261	1N4003 - SMT - SMA PKG	D3 D4 D5 D6 D7 D8 D9 D10 D11 D12 D13 D14
2	30418504	15V 1.5W ZENER SMA	D1 D2
2	30651206	BLK 16G 5" CPTX2	P4 P5
1	30900629	AAVID VER TO220 HEATSINK	HW3
1	30901244	1A FUSE 5X15MM PIG TAIL T&R	F1
1	31190900	10KB SNGL 12MM HOR	VR1
2	31500238	#741 LBRACKET W/4-40 HOLE	HW1 HW2
6	33716194	SPADE .250 PC MNT .093	P6 P7 P8 P9 P10 P11
5	33717003	1 STAKE PIN .045 .625 TIN	P12 P13 P14 P15 P16
1	33717013	3 HDR V SR .100" TIN LK	P3
1	33717359	8 HDR V DR 2MM GOLD	P1
3	FIDUCIAL	????????????????????????????????	FID1 FID2 FID3
2	TAB_VCI	????????????????????????????????	TAB2 TAB3

-----  
 END OF BILL OF MATERIAL REPORT  
 -----