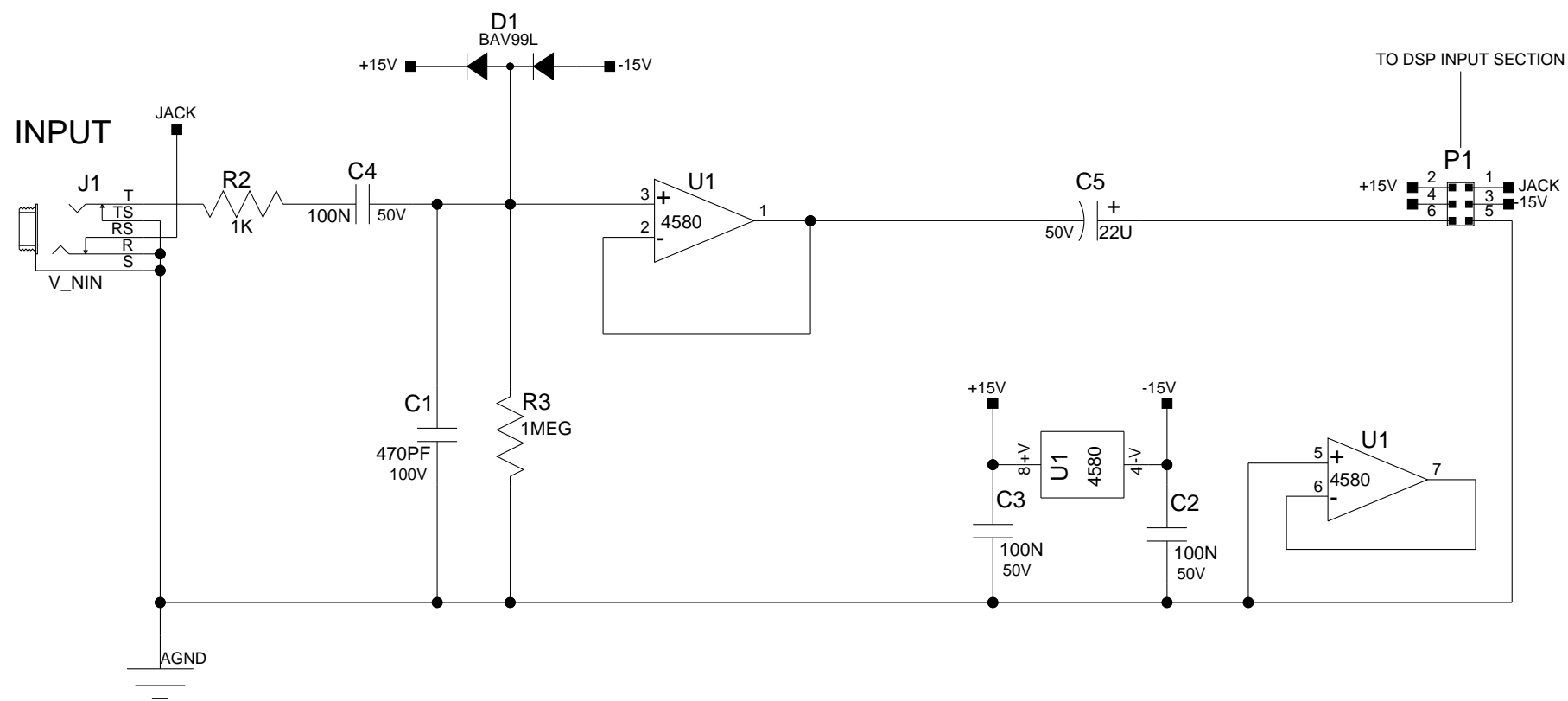


REV	Eng	Date:	Revision Description	ECN#
A				
B				
C				
D				
E				
F				

INDEX

SHEET	DESCRIPTION



Note: All thru hole Resistors are 1/4 Watt unless otherwise indicated.
All SMT 1206 Resistors are 1/4 Watt.
All SMT 0805 Resistors are 1/10 Watt.
Note Capacitor Values are indicated as Follows:
val P = pF (picoFarads) val * 10 exp-12
val N = nF (nanoFarads) val * 10 exp-9 (1N=1000pF, 100N=0.1uF)
val U = uF (microFarads) val * 10 exp-6

Patents:
Copyright Peavey Electronics Corporation 2008.

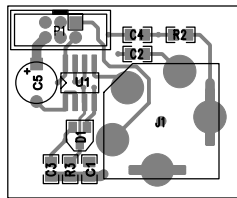
Company Proprietary Information



Product: **VYPYR INPUT**

Title:
Project Number:

Eng: J. C. FIELDS Release Date:



BILL OF MATERIAL REPORT

REPORT DATE/TIME: 5/12/2008 3:16:33 PM

BOARD NAME: VYPYR INPUT ASSEMBLY LEVEL NUMBER: 29096311

PROJECT NUMBER: P0600082 DESIGNER: LFL

Qty.	Part #	Description	Reference Designators

--			
1	30200188	1.00K 1/10W 1% MF 0805	R2
1	30200195	1.00M 1/10W 1% MF 0805	R3
2	30300085	0.1UF 50V 20% Z5U 0805	C2 C3
1	30300093	0.1UF 50V 10% X7R 0805	C4
1	30300239	470PF 100V 5% NPO 0805	C1
1	30320181	22UF 50V 20% EL RAD	C5
1	30418158	4580 DUAL LN OPAMP SO8	U1
1	30418655	BAV99L DUAL 4148 DIODE SO	D1
1	31466217	STEREO HID JACK NINS W/SPD	J1
1	33717358	6 HDR V DR 2MM GOLD	P1
1	FIDUCIAL	????????????????????????????????	FD1

END OF BILL OF MATERIAL REPORT
