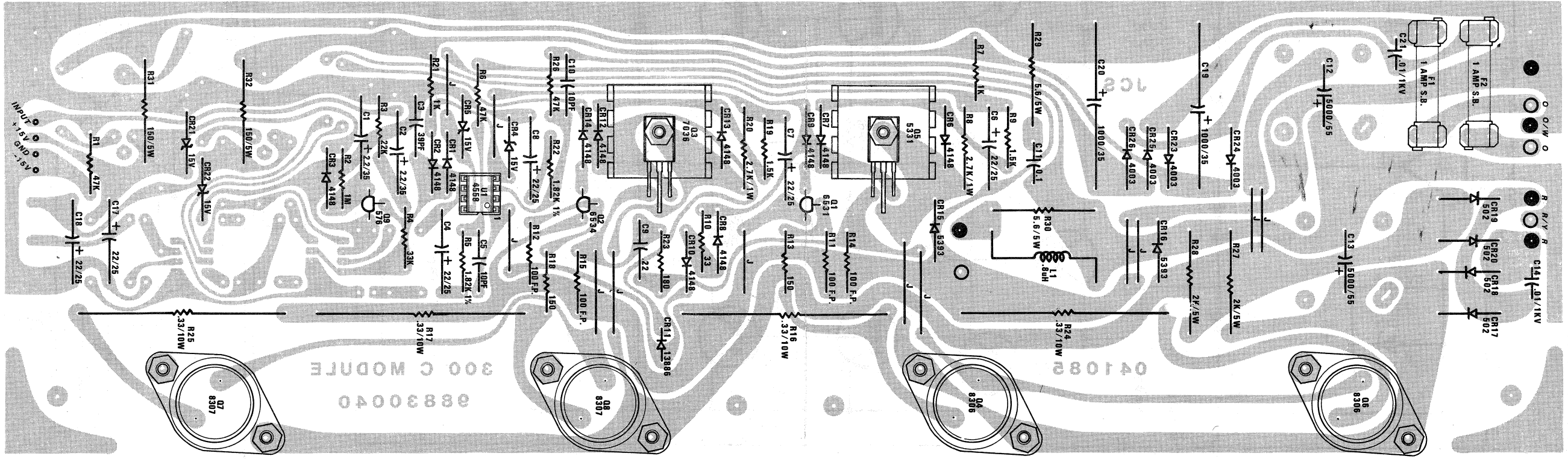


NOTES  
 ALL POTS ARE LINEAR UNLESS NOTED  
 ALL RESISTORS 1/4W UNLESS NOTED  
 ALL RESISTORS IN OHMS UNLESS NOTED  
 ALL CAPACITORS IN MFD UNLESS NOTED  
 ALL DIODES IN4148 UNLESS NOTED  
 LAST REF. DESIGNATOR USED:  
 R70 C47 CR13 J8 U5 Q3

**XM™ 4**

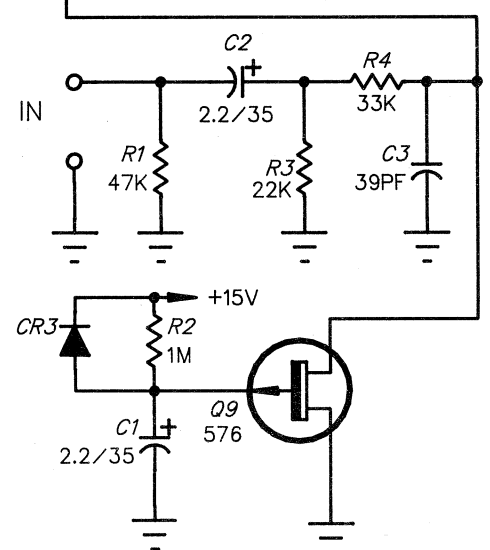
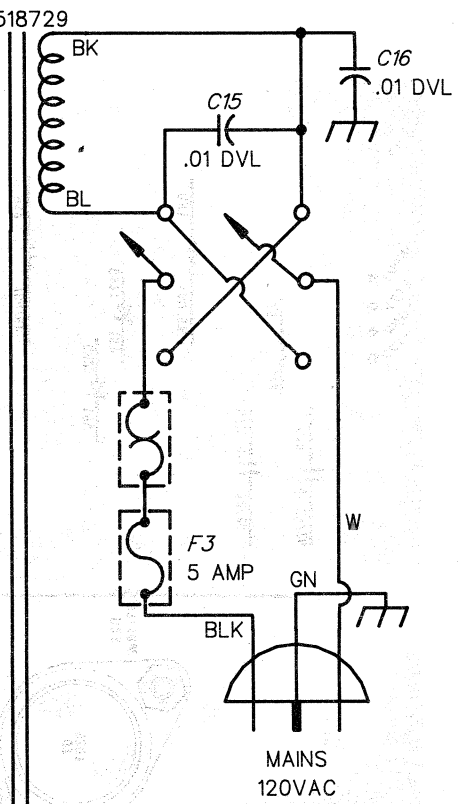
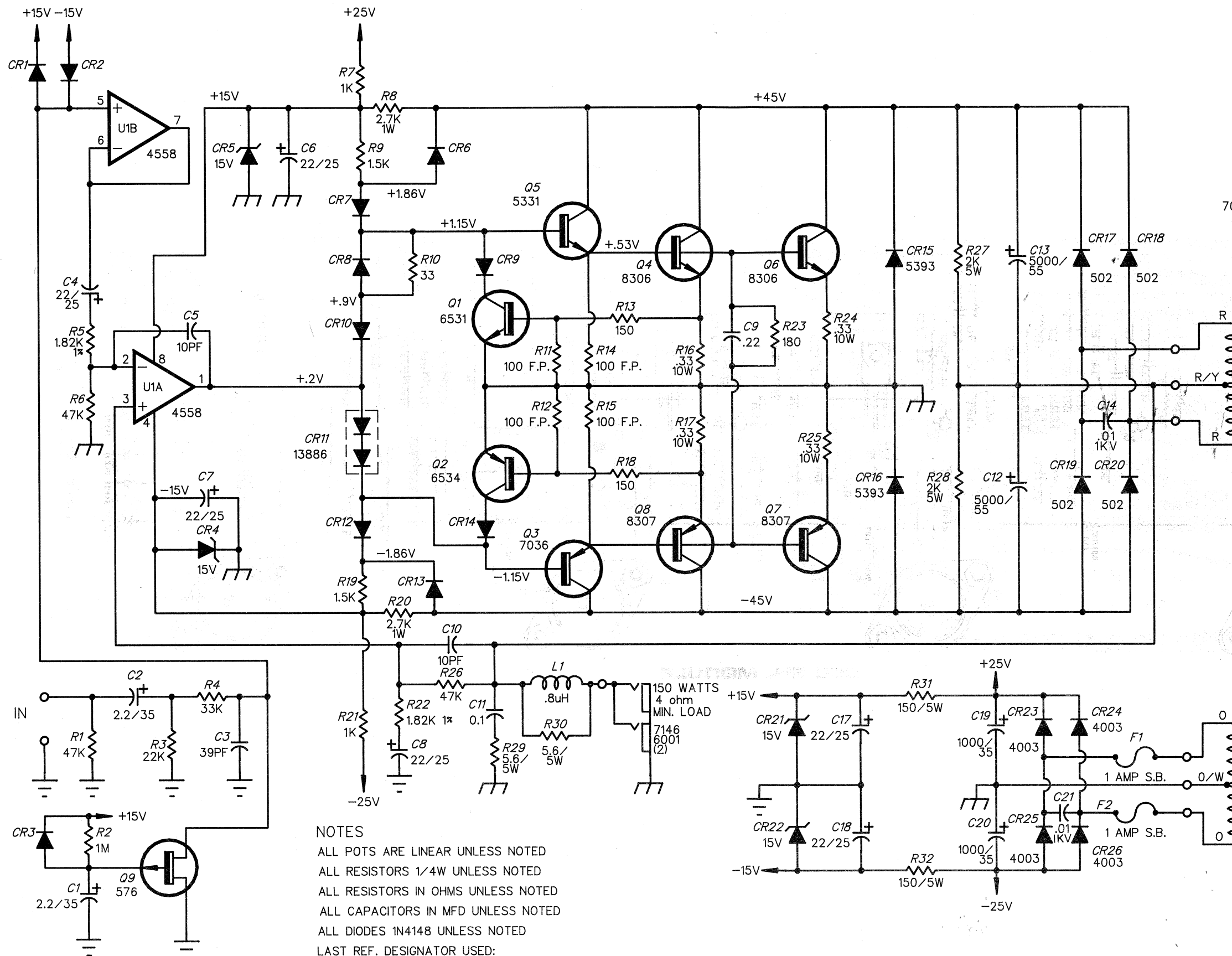
PEAVEY® ELECTRONICS CORP. MERIDIAN, MS	
DRAWN BY <i>AK</i>	DATE 1-24-86
C.B. CK. <i>AK</i>	
CK. BY <i>Ross</i>	
APPR. BY <i>JCB</i>	



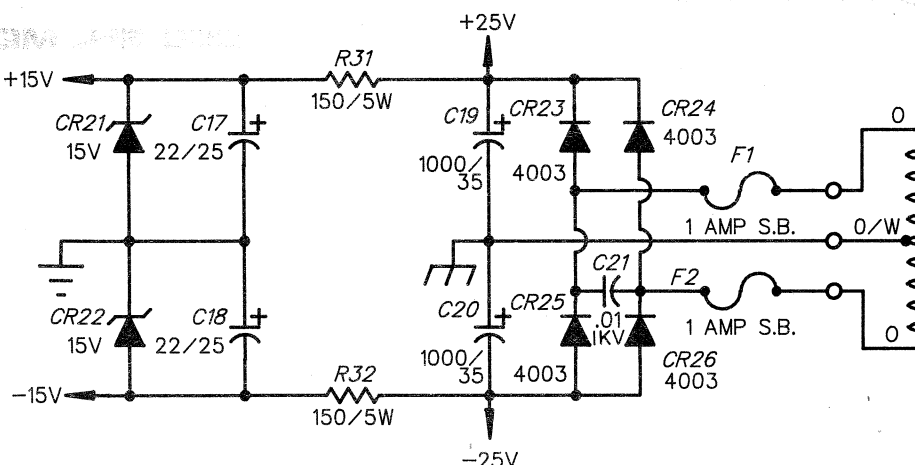
**300 EH<sub>M</sub> MODULE**

88830040  
300 C MODULE

INPUT 15V GND



NOTES  
 ALL POTS ARE LINEAR UNLESS NOTED  
 ALL RESISTORS 1/4W UNLESS NOTED  
 ALL RESISTORS IN OHMS UNLESS NOTED  
 ALL CAPACITORS IN MFD UNLESS NOTED  
 ALL DIODES 1N4148 UNLESS NOTED  
 LAST REF. DESIGNATOR USED:  
 R32 CR26 C21 Q9 F3 L1



**300 EH™ MODULE**  
 BD. # 98830040

PEAVEY® ELECTRONICS CORP. MERIDIAN, MS	
DRAWN BY <i>JA</i>	DATE <i>1-24-86</i>
C.B. CK. <i>JA</i>	
CK. BY <i>R GOR</i>	
APPR. BY <i>JCB</i>	