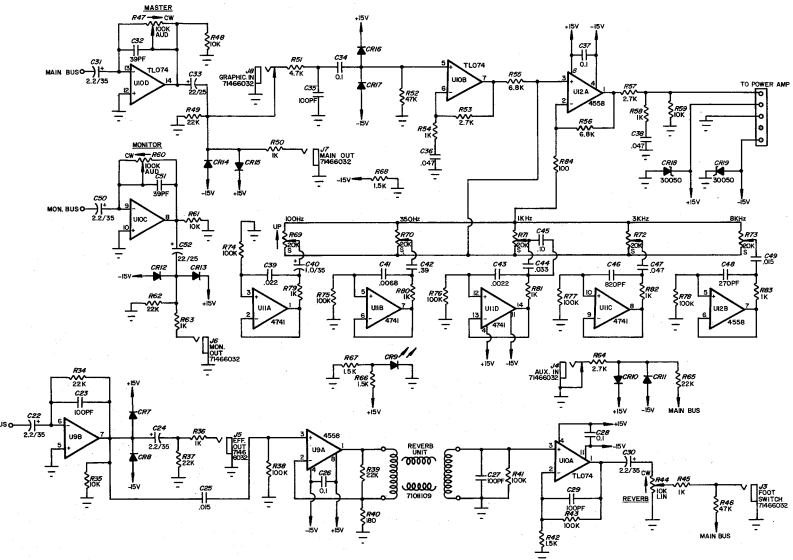


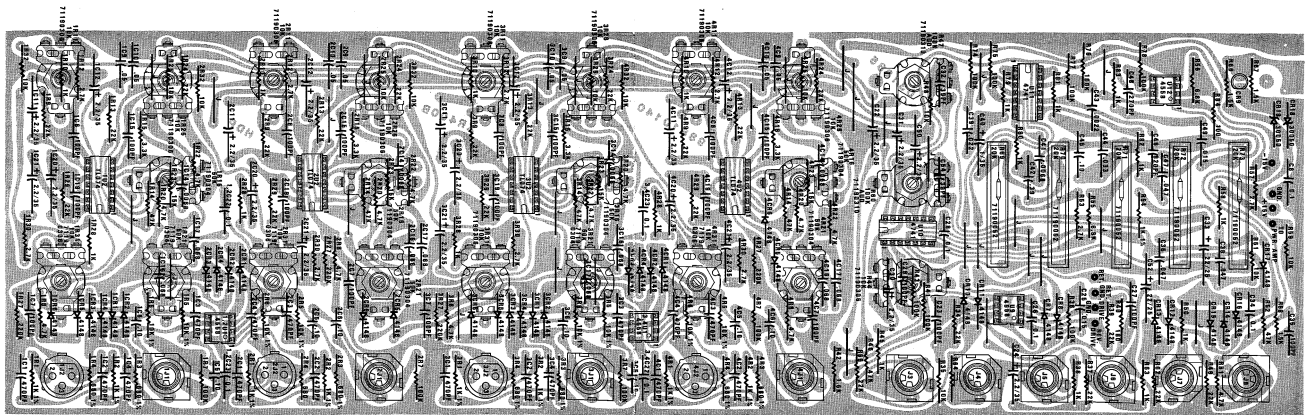
TYPICAL 4 INPUT CHANNEL



**NOTES**  
 ALL RESISTORS 1/4W UNLESS NOTED  
 ALL CAPACITORS 1MFD UNLESS NOTED  
 ALL DIODES 1N4148 UNLESS NOTED  
 LAST REF. DESIGNATOR USED:  
 R84 C52 CR8 U2

**XR-400B**  
 80 B 9881040

PEAVEY ELECTRONICS CORP.	DESIGNED BY	DATE
MERRICK, MS	C. B. CK.	4-13-87
	CHK BY	
	APPR BY	



XR400B PREAMP

