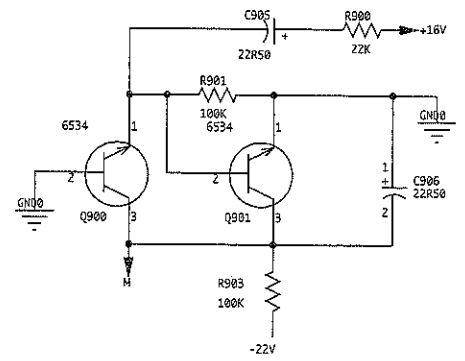
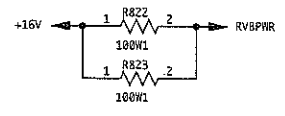
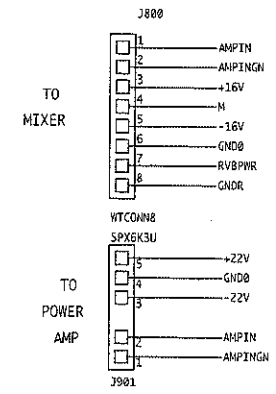
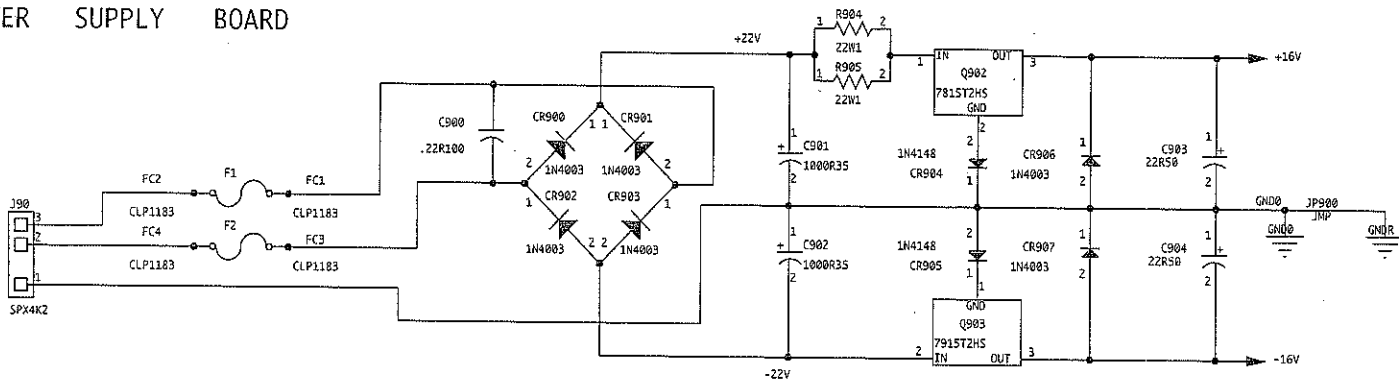


BOARD NAME: XR560 PWRSUP

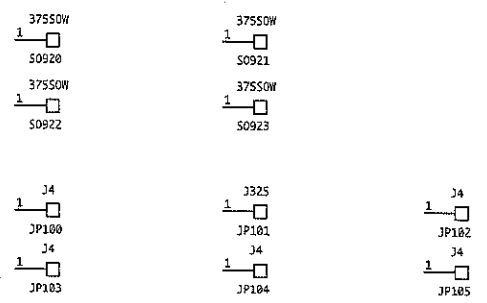
** QTY.	PART NAME	VALUE	PART NUMBER	DESCRIPTION AND DEVICE DESIGNATIONS
*****				
1	.22R100	.22R100	70330007	.22MFD 100VDC 5% MYLAR C900
2	1000R35	1000R35	70320186	1000MF-20%-35VDC-EL-T&A C901, C902
4	22R50	22R50	70320181	22MF-20%-50VDC-EL-T&A C903, C904, C905, C906
4	1N4003	1N4003	70464003	1N4003 200V SILICON DIODE CR900, CR901, CR902, CR903
2	1N4148	4148	70464148	1N4148 75V 10MA SILICON DIODE CR904, CR905
2	1N4003	1N4003	70464003	1N4003 200V SILICON DIODE CR906, CR907
4	CLP1183	CLP1183	70901183	FUSECLIP, PC MT - T&A FC1, FC2, FC3, FC4
1	SPX4K2	SPX4K2	XXXXXXXXXX	3 EACH OF STAKE PINS J90
1	WTCONN8	73716717	73716717	8 COND. WIRE TRAP CONN. .098" SPACING J800
1	SPX5K3U	SPX6K3U	XXXXXXXXXX	5 EACH OF STAKE PINS J901
2	6534	6534	70466533	MPS-6533/34 TO-92 PNP TRANS T&A Q900, Q901
1	7815T2HS	7815	70400340	7815 15V 1A POS TO-220 RG Q902
1	7915T2HS	7915	70400320	7915 15V 1A NEG TO 220 RG Q903
2	100W1	100W1	70210003	100-1W-5%-MO-T&R R822, R823
1	22K	22K	70240029	22K-1/4W-5%-CF-T&R R900
2	100K	100K	70240034	100K-1/4W-5%-CF-T&R R901, R903
2	22W1	22W1	70210001	22-1W-5%-MO-T&R R904, R905
4	375SOW	70900295	70900295	SPACER, 3/8,R(#4),.187 SWAGE ALUM. SO920, SO921, SO922, SO923
*****				

XR560 Power Supply

# POWER SUPPLY BOARD



NOTICE: THIS CIRCUITRY IS PROTECTED BY U.S. PATENT NOS. 4,318,053 OWNED BY PEAVEY ELECTRONICS CORP. USE OR COPYING WITHOUT EXPRESS WRITTEN AUTHORITY FROM PEAVEY IS STRICTLY FORBIDDEN AND VIOLATORS WILL BE PROSECUTED TO THE FULLEST EXTENT ALLOWED UNDER U.S. PATENT LAWS.



PEAVEY ELECTRONICS CORP. 711 A STREET MERIDIAN, MISSISSIPPI 39301			
TITLE: XR560 POWER SUPPLY			
PROJECT:	P9500199	MRP:	XXXXXXXX
SIZE:	NUMBER:	REV:	
B	81500116	A	
DATE:	27-FEB-97	SHEET:	1 OF 1