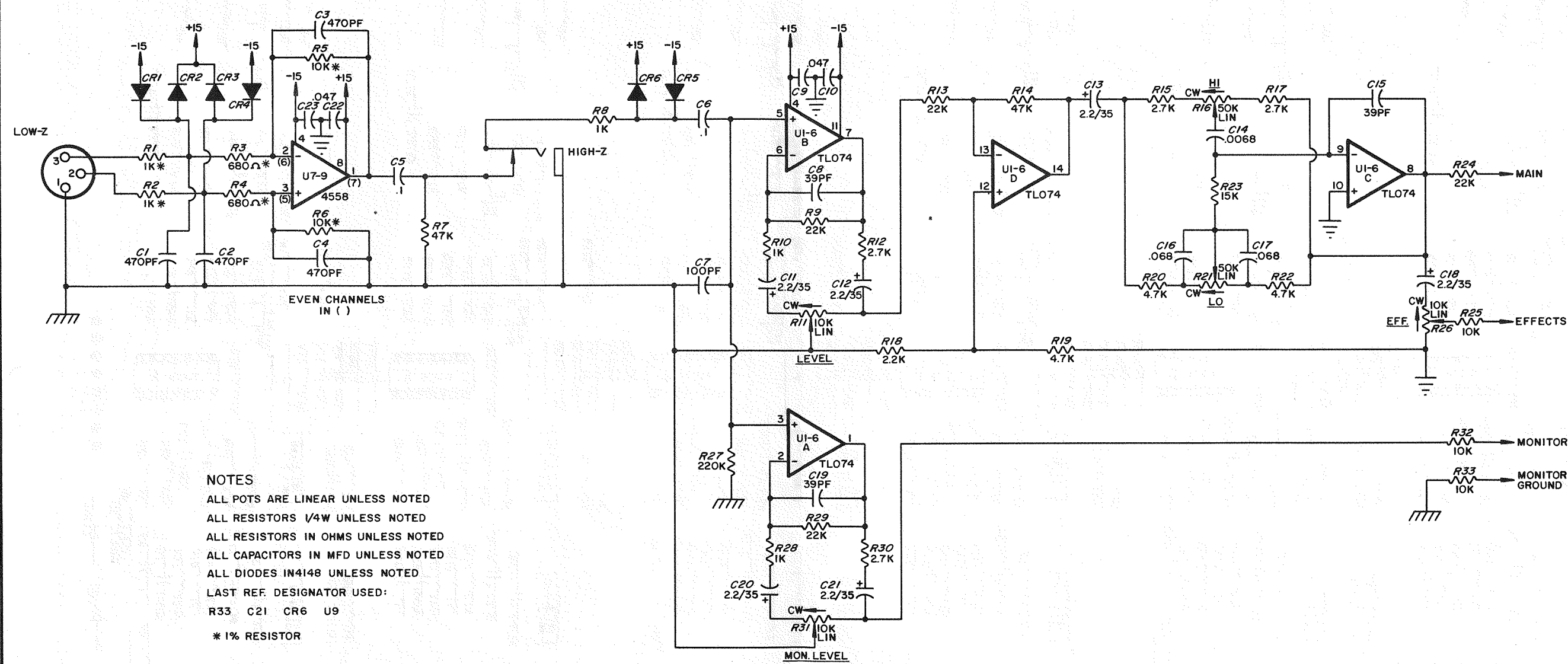


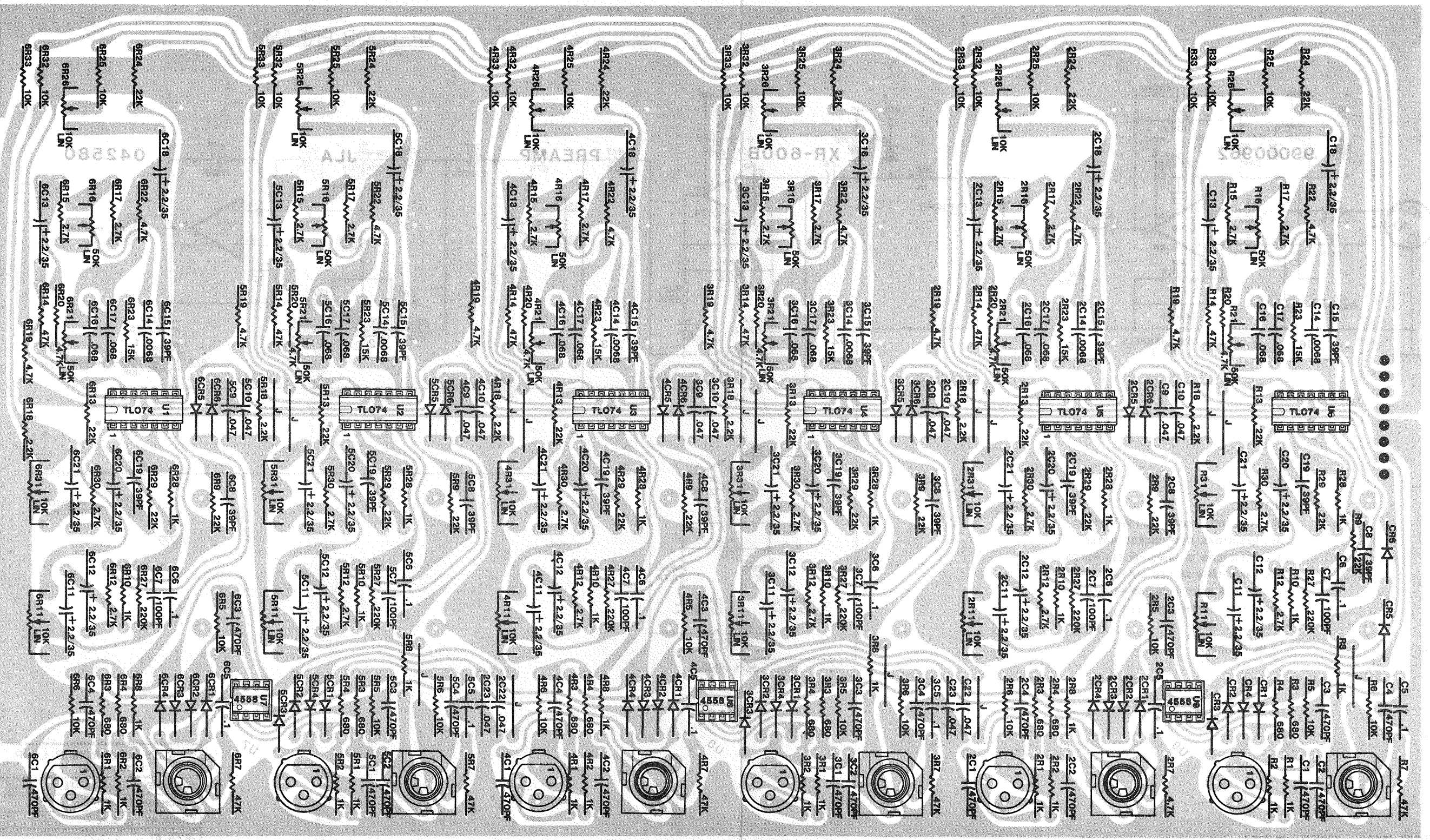
# XR-600B PREAMP

BD.# 99000962



**NOTES**  
 ALL POTS ARE LINEAR UNLESS NOTED  
 ALL RESISTORS 1/4W UNLESS NOTED  
 ALL RESISTORS IN OHMS UNLESS NOTED  
 ALL CAPACITORS IN MFD UNLESS NOTED  
 ALL DIODES IN4148 UNLESS NOTED  
 LAST REF. DESIGNATOR USED:  
 R33 C21 CR6 U9  
 \* 1% RESISTOR

PEAVEY ELECTRONICS CORP. MERIDIAN, MS.	
DRAWN BY	KEA DATE 7/3/80
C.B. CHECK	KEA
CHECK BY	JAA
APPR. BY	JAA



R7 47K

C4 470PF

R6 10K

C9 470PF

R5 10K

C1 470PF

R1 1K

R2 1K

C2 470PF

R8 1K

R3 680

R4 680

C3 470PF

R9 10K

C5 47K

R11 10K

C7 100PF

R12 2.2K

R10 1K

R13 2.7K

C8 39PF

R14 10K

C6 1

R15 1K

C10 470PF

R16 2.2K

R17 1K

C11 2.2/35

R18 2.7K

C12 2.2/35

R19 4.7K

C13 2.2/35

R20 4.7K

C14 10068

R21 15K

C15 39PF

R22 2.2K

C16 15K

R23 15K

C17 1068

R24 2.7K

C18 2.2/35

R25 10K

C19 39PF

R26 10K

C8 39PF

R9 2.2K

C7 100PF

R27 2.2K

R10 1K

R12 2.7K

C12 2.2/35

R13 2.7K

C11 2.2/35

R14 10K

C9 470PF

R15 10K

C3 470PF

R16 10K

C5 47K

R17 10K

C7 100PF

R18 2.2K

R19 4.7K

C10 470PF

R20 4.7K

C6 1

R21 50K

C11 2.2/35

R22 4.7K

C12 2.2/35

R23 15K

C13 2.2/35

R24 2.7K

C14 10068

R25 10K

C15 39PF

R26 10K

C16 15K

R27 10K

C17 1068

R28 2.7K

C18 2.2/35

R29 2.7K

C19 39PF

R30 2.7K

C20 2.2/35

R31 10K

C21 2.2/35

C8 39PF

R9 2.2K

C7 100PF

R28 1K

R29 2.2K

C12 2.2/35

R30 2.7K

C11 2.2/35

R31 10K

C9 470PF

R32 10K

C3 470PF

R33 10K

C5 47K

R34 10K

C7 100PF

R35 2.2K

R36 2.2K

C10 470PF

R37 10K

C6 1

R38 10K

C11 2.2/35

R39 2.7K

C12 2.2/35

R40 2.7K

C13 2.2/35

R41 10K

C14 10068

R42 2.7K

C15 39PF

R43 2.7K

C16 15K

R44 2.7K

C17 1068

R45 2.7K

C18 2.2/35

R46 2.7K

C19 39PF

R47 10K

C20 2.2/35

R48 2.7K

C21 2.2/35

C8 39PF

R9 2.2K

C7 100PF

R28 1K

R29 2.2K

C12 2.2/35

R30 2.7K

C11 2.2/35

R31 10K

C9 470PF

R32 10K

C3 470PF

R33 10K

C5 47K

R34 10K

C7 100PF

R35 2.2K

R36 2.2K

C10 470PF

R37 10K

C6 1

R38 10K

C11 2.2/35

R39 2.7K

C12 2.2/35

R40 2.7K

C13 2.2/35

R41 10K

C14 10068

R42 2.7K

C15 39PF

R43 2.7K

C16 15K

R44 2.7K

C17 1068

R45 2.7K

C18 2.2/35

R46 2.7K

C19 39PF

R47 10K

C20 2.2/35

R48 2.7K

C21 2.2/35

C8 39PF

R9 2.2K

C7 100PF

R28 1K

R29 2.2K

C12 2.2/35

R30 2.7K

C11 2.2/35

R31 10K

C9 470PF

R32 10K

C3 470PF

R33 10K

C5 47K

R34 10K

C7 100PF

R35 2.2K

R36 2.2K

C10 470PF

R37 10K

C6 1

R38 10K

C11 2.2/35

R39 2.7K

C12 2.2/35

R40 2.7K

C13 2.2/35

R41 10K

C14 10068

R42 2.7K

C15 39PF

R43 2.7K

C16 15K

R44 2.7K

C17 1068

R45 2.7K

C18 2.2/35

R46 2.7K

C19 39PF

R47 10K

C20 2.2/35

R48 2.7K

C21 2.2/35

C8 39PF

R9 2.2K

C7 100PF

R28 1K

R29 2.2K

C12 2.2/35

R30 2.7K

C11 2.2/35

R31 10K

C9 470PF

R32 10K

C3 470PF

R33 10K

C5 47K

R34 10K

C7 100PF

R35 2.2K

R36 2.2K

C10 470PF

R37 10K

C6 1

R38 10K

C11 2.2/35

R39 2.7K

C12 2.2/35

R40 2.7K

C13 2.2/35

R41 10K

C14 10068

R42 2.7K

C15 39PF

R43 2.7K

C16 15K

R44 2.7K

C17 1068

R45 2.7K

C18 2.2/35

R46 2.7K

C19 39PF

R47 10K

C20 2.2/35

R48 2.7K

C21 2.2/35