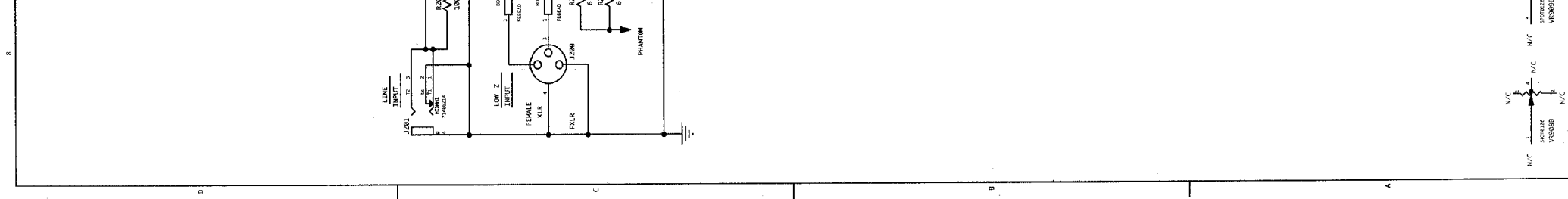
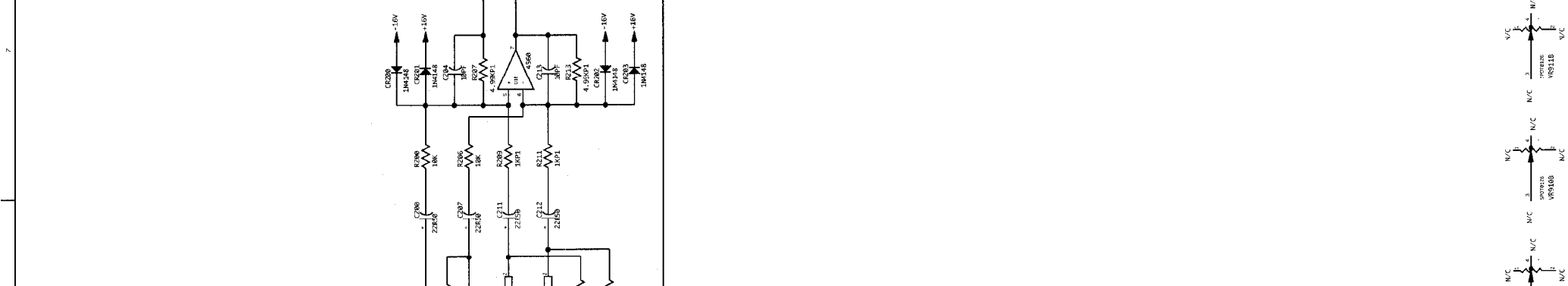
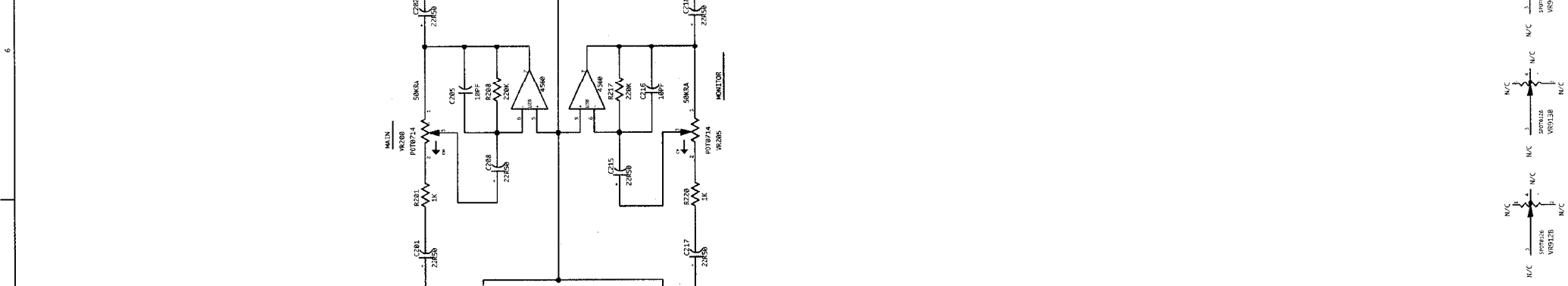
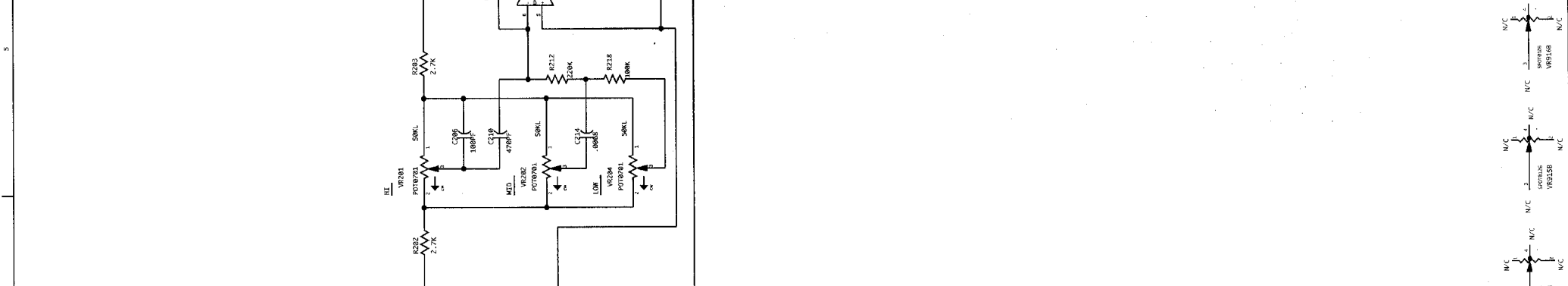
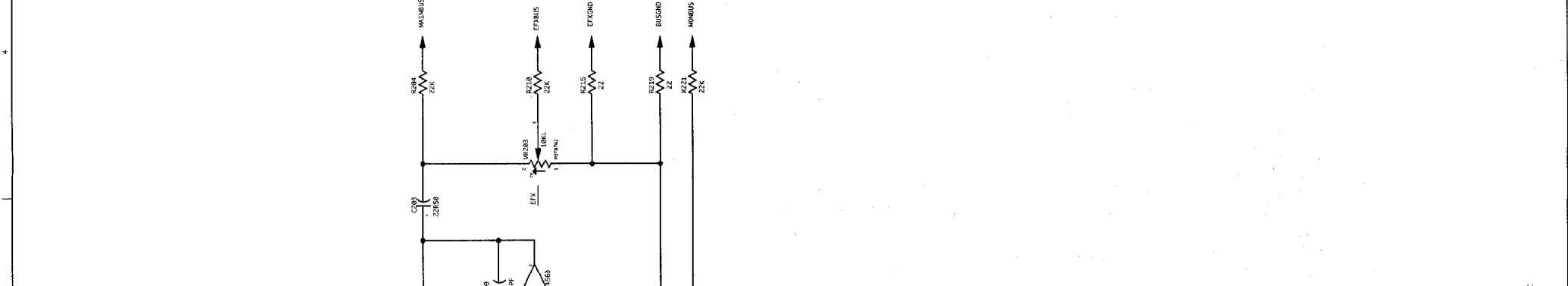
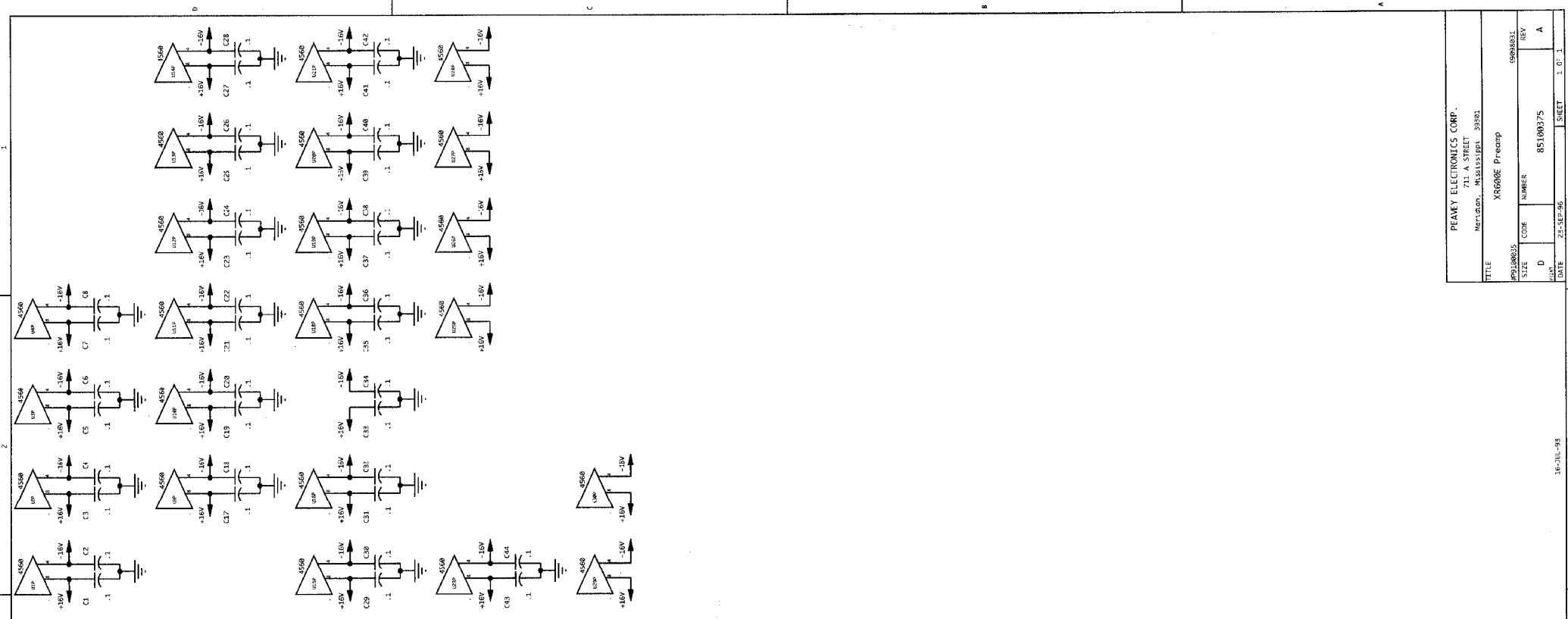
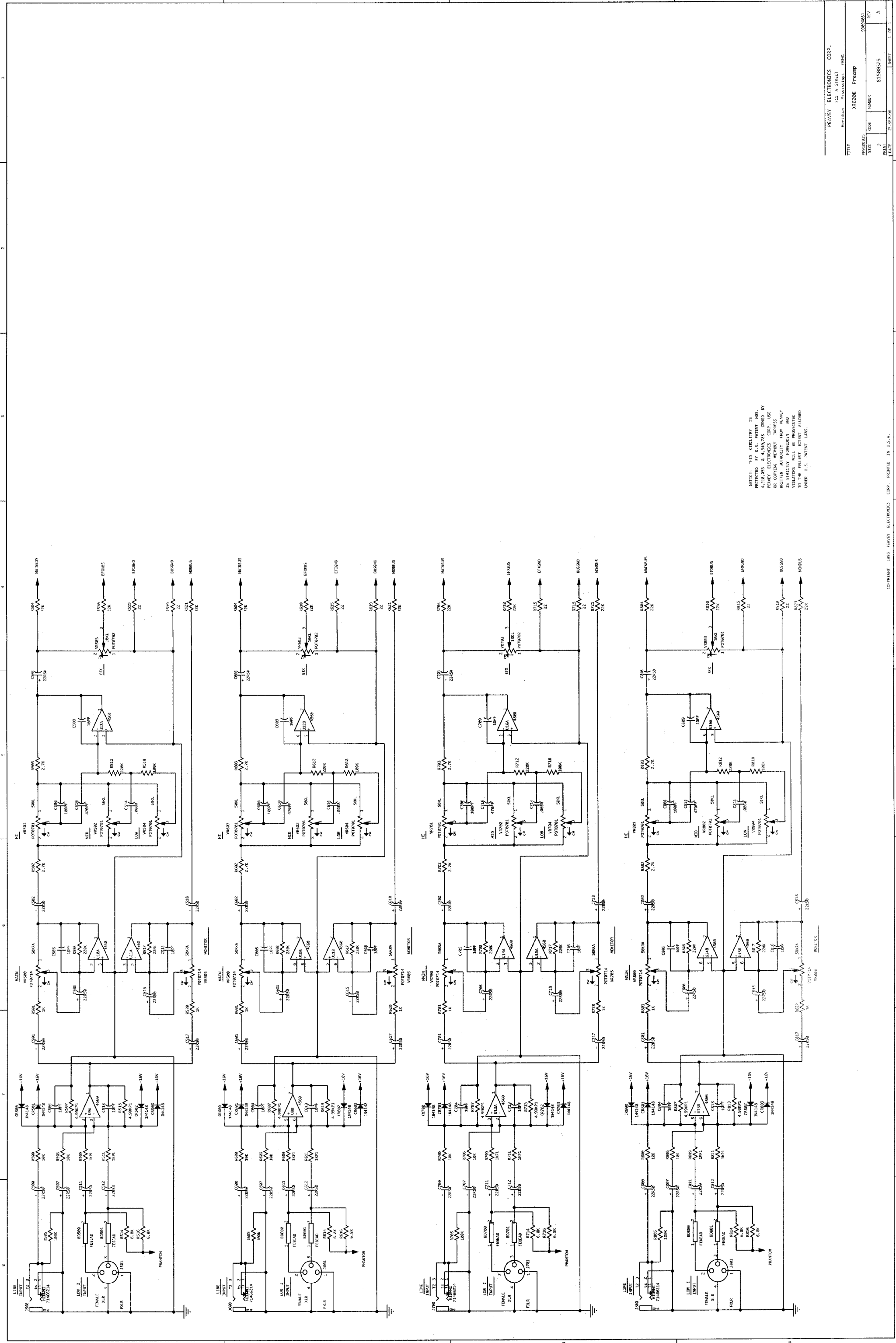


NOTICE: THIS CIRCUITRY IS PROTECTED BY U.S. PATENT NOS. 4,318,853 & 4,349,758 OWNED BY PEAVEY ELECTRONICS CORP. USE OR COPYING WITHOUT EXPRESS WRITTEN PERMISSION FROM PEAVEY ELECTRONICS CORP. IS STRICTLY PROHIBITED AND VIOLATORS WILL BE PROSECUTED TO THE FULLEST EXTENT ALLOWED UNDER U.S. PATENT LAW.

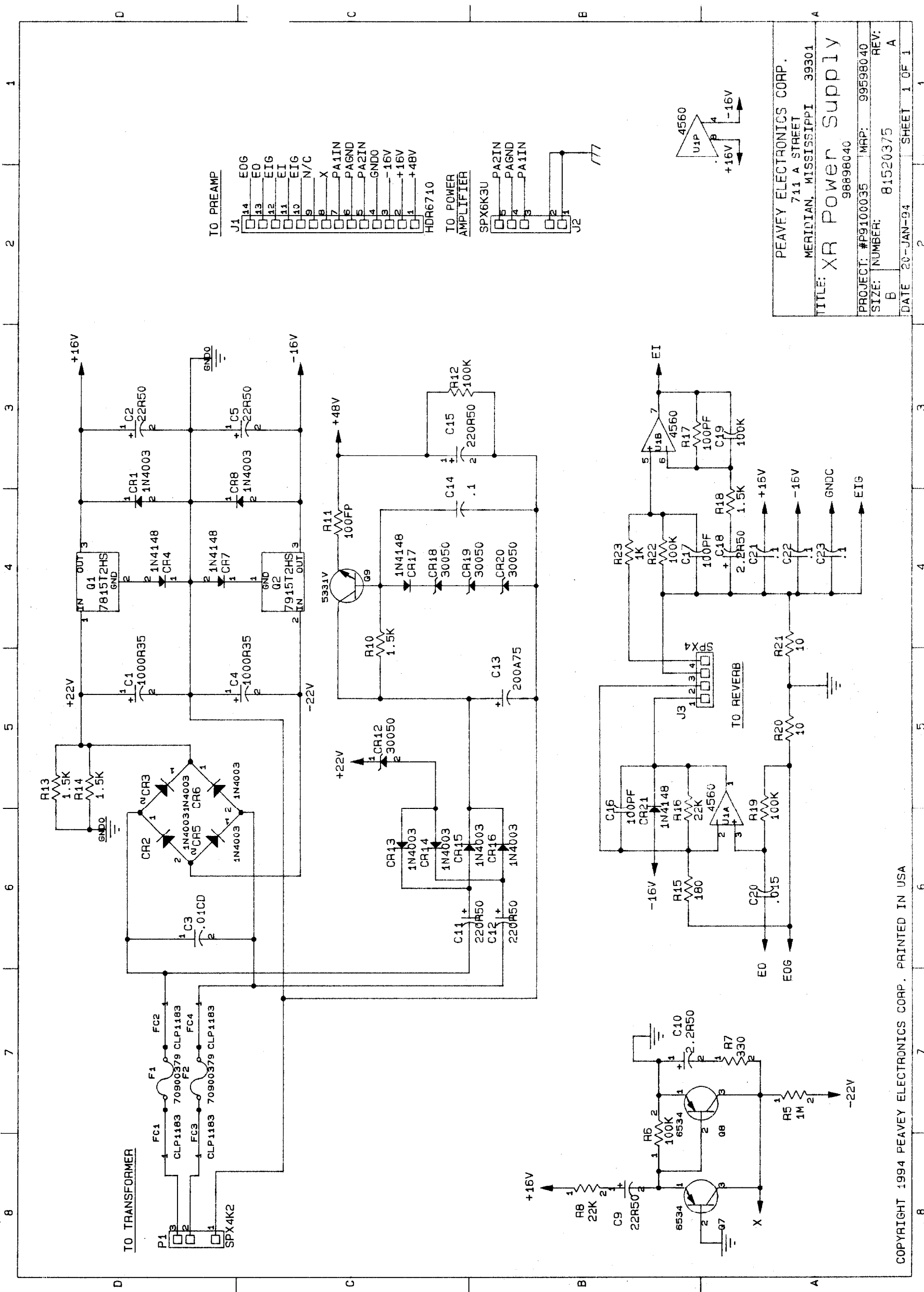


NOTICE: THIS CIRCUITRY IS PROTECTED BY U.S. PATENT NOS. 4,338,093 & 4,349,786 OWNED BY PEAVEY ELECTRONICS CORPORATION. NO REPRODUCTION OR TRANSMISSION OF THIS CIRCUITRY WITHOUT WRITTEN AUTHORITY FROM PEAVEY IS STRICTLY FORBIDDEN AND VIOLATORS WILL BE PROSECUTED TO THE FULLEST EXTENT ALLOWED UNDER U.S. PATENT LAWS.

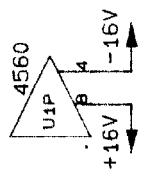
PEAVEY ELECTRONICS CORP. 711 A STREET MONTICELLO, MISSISSIPPI 39061	
TITLE PS-100035	YR6006 Preamp
SIZE D	CODE NUMBER 85100375
DATE 25-SEP-86	REV A
SHEET 1 OF 1	



NOTICE: THIS CIRCUITRY IS THE PROPERTY OF PEAVEY ELECTRONICS CORP. & IS NOT TO BE REPRODUCED OR COPIED IN ANY MANNER WITHOUT THE WRITTEN AUTHORITY OF PEAVEY ELECTRONICS CORP. ANY REPRODUCTION OR COPIING WITHOUT THE WRITTEN AUTHORITY OF PEAVEY ELECTRONICS CORP. IS STRICTLY FORBIDDEN AND WILL BE PROSECUTED TO THE FULL EXTENT OF THE LAW. DANGER U.S. PATENT LAWS.



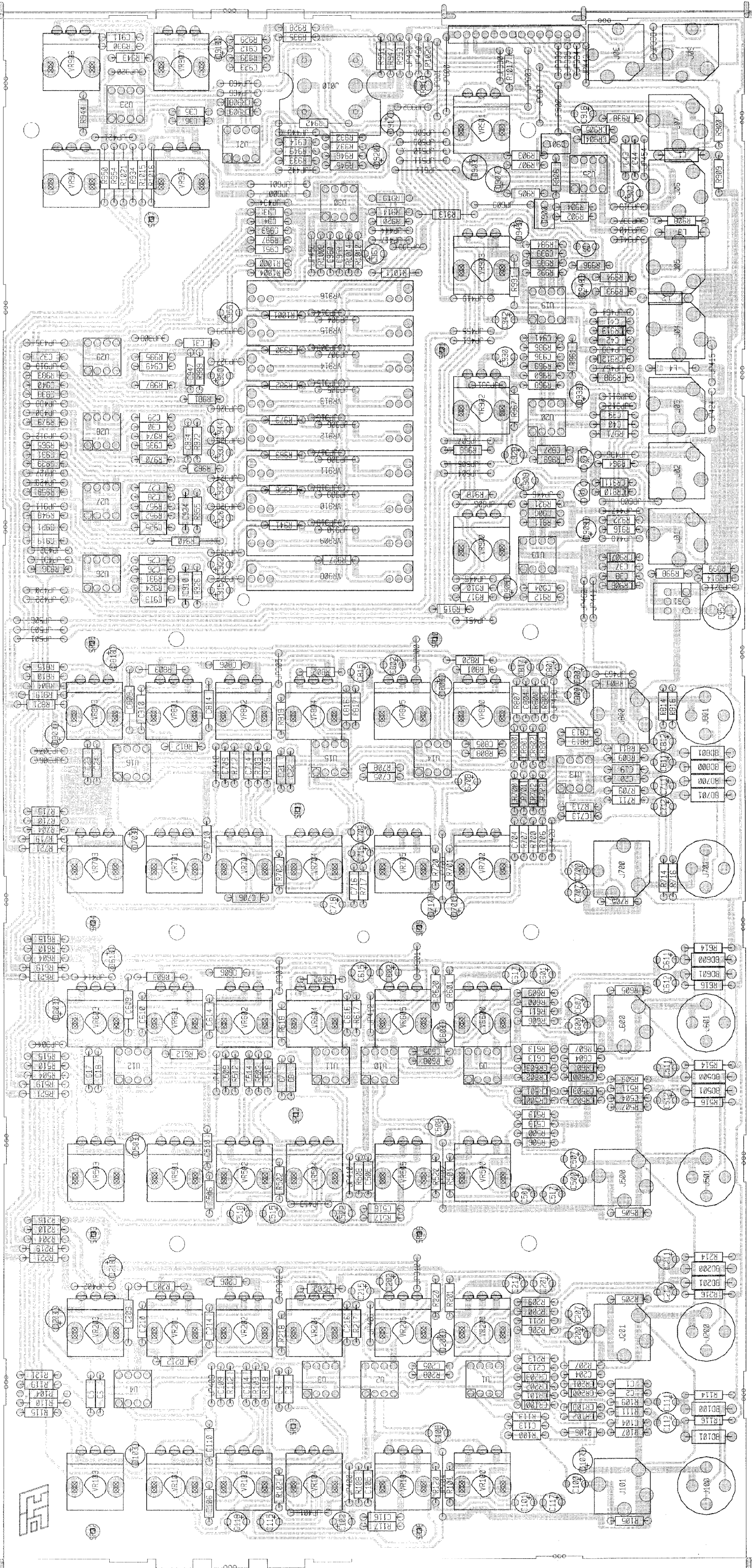
- TO PREAMP**
- J1 14 EOG
 - 13 E0
 - 12 EIG
 - 11 E1
 - 10 EIG
 - 9 N/C
 - 8 X
 - 7 PA1IN
 - 6 PAGND
 - 5 PA2IN
 - 4 GND0
 - 3 -16V
 - 2 +16V
 - 1 +48V
- HDR6710
- TO POWER AMPLIFIER**
- SPX6K3U
 - PA2IN
 - PAGND
 - PA1IN
- J2



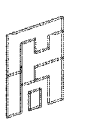
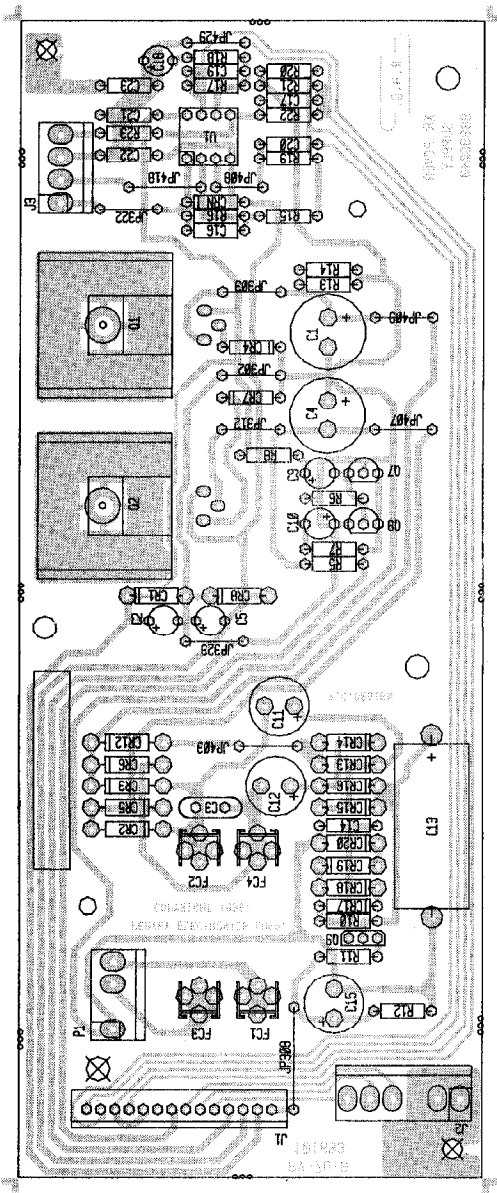
PEAVEY ELECTRONICS CORP.
 711 A STREET
 MERIDIAN, MISSISSIPPI 39301

TITLE: XR Power Supply
 98898040

PROJECT: #P9100035 MRP: 99598040
 SIZE: NUMBER: 81520375 REV: A
 DATE 20-JAN-94 SHEET 1 OF 1



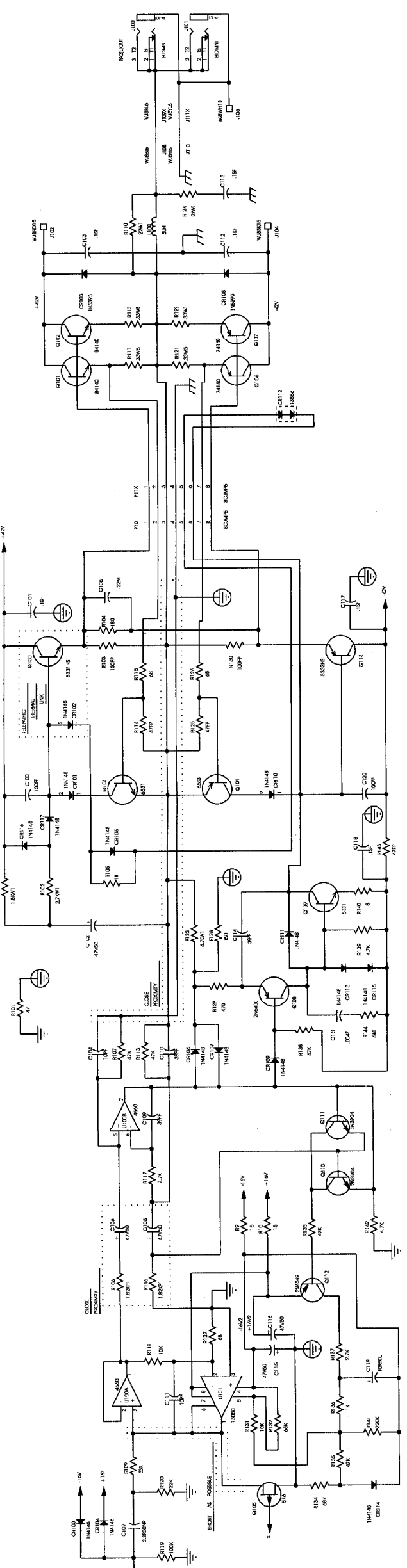
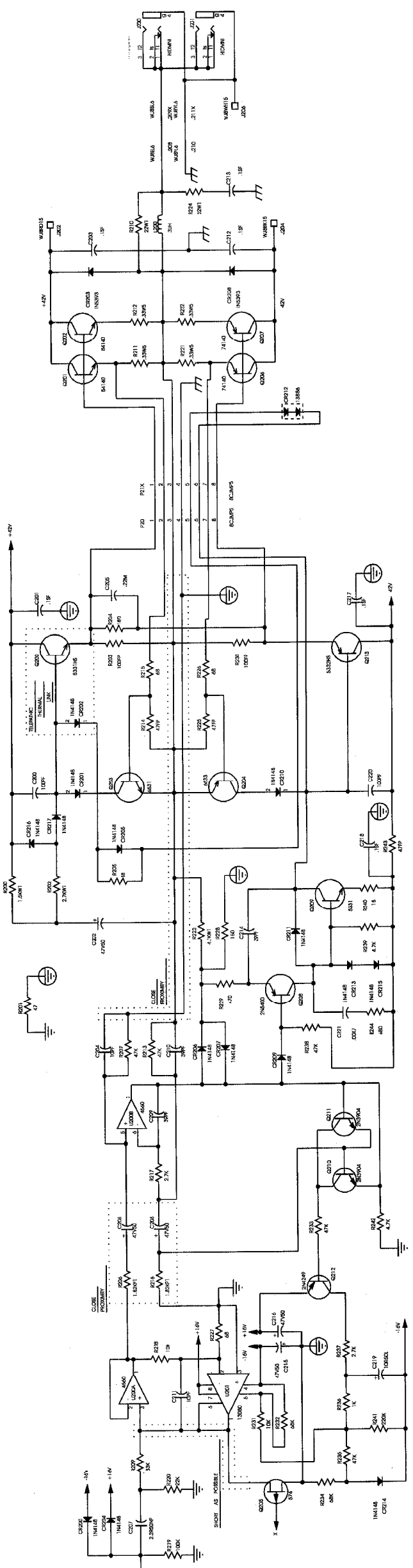
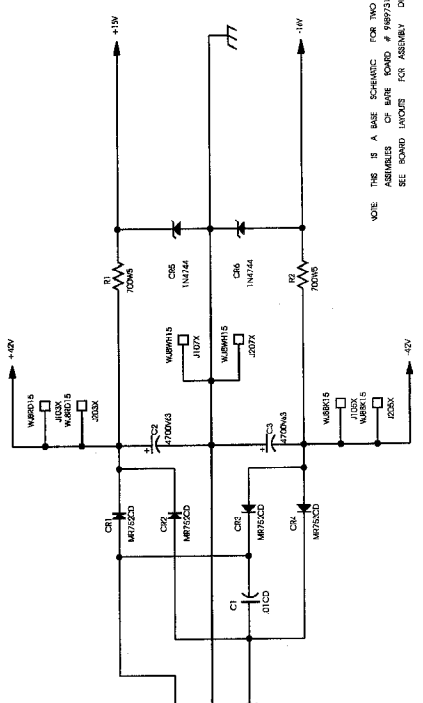
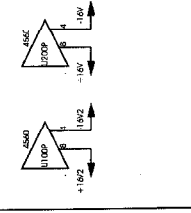
XR600E MAIN



BOARD NAME:	XS600E MAIN
** QTY. NAME	DESCRIPTION AND
*****	DEVICE DESIGNATIONS *****
12 FEBR84	FERRITE BEAD INDUCTOR
36 .1	1MF--80-20%-50VDC--T/C--T&R
	C1, C2, C3, C4, C5, C6, C7, C8, C17,
	C18, C19, C20, C21, C22, C23, C24, C25,
	C26, C27, C28, C29, C30, C31, C32, C33,
	C34, C35, C36, C37, C38, C39, C40, C41,
	C42, C43, C44
	22MF--20%-50VDC--EL--T&A
	C100, C101, C102, C103
	10PF--5%-T/C--T&R
	C104, C105
	100PF--10%-50VDC--T/C--T&R
	C106
	22MF--20%-50VDC--EL--T&A
	C107, C108
	10PF--5%-T/C--T&R
	C109
	470PF--10%-50VDC--T/C--T&R
	C110
	22MF--20%-50VDC--EL--T&A
	C111, C112
	10PF--5%-T/C--T&R
	C113
	.0068MF--10%-50VDC--MON--T&R
	C114
	22MF--20%-50VDC--EL--T&A
	C115
	10PF--5%-T/C--T&R
	C116
	22MF--20%-50VDC--EL--T&A
	C117, C118, C200, C201, C202, C2
	10PF--5%-T/C--T&R
	C204, C205
	100PF--10%-50VDC--T/C--T&R
	C206
	22MF--20%-50VDC--EL--T&A
	C207, C208
	10PF--5%-T/C--T&R
	C209
	470PF--10%-50VDC--T/C--T&R
	C210
	22MF--20%-50VDC--EL--T&A
	C211, C212
	10PF--5%-T/C--T&R
	C213
	.0068MF--10%-50VDC--MON--T&R
	C214
	22MF--20%-50VDC--EL--T&A
	C215
	10PF--5%-T/C--T&R
	C216
	22MF--20%-50VDC--EL--T&A
	C217, C218, C500, C501, C502, C503
	10PF--5%-T/C--T&R
	C504, C505
	100PF--10%-50VDC--T/C--T&R
	C506
	22MF--20%-50VDC--EL--T&A
	C507, C508
	10PF--5%-T/C--T&R
	C509
	470PF--10%-50VDC--T/C--T&R
	C510
	22MF--20%-50VDC--EL--T&A
	C511, C512
	10PF--5%-T/C--T&R
	C513
	.0068MF--10%-50VDC--MON--T&R
	C514
	22MF--20%-50VDC--EL--T&A
	C515
	10PF--5%-T/C--T&R
	C516
	22MF--20%-50VDC--EL--T&A
	C517, C518, C600, C601, C502, C603
	10PF--5%-T/C--T&R
	C604, C605
	100PF--10%-50VDC--T/C--T&R
	C606
	22MF--20%-50VDC--EL--T&A
	C607, C608
	10PF--5%-T/C--T&R
	C609
	470PF--10%-50VDC--T/C--T&R
	C610
	22MF--20%-50VDC--EL--T&A
	C611, C612
	10PF--5%-T/C--T&R
	C613
	.0068MF--10%-50VDC--MON--T&R
	C614
	22MF--20%-50VDC--EL--T&A
	C615
	10PF--5%-T/C--T&R
	C616
	22MF--20%-50VDC--EL--T&A
	C617, C618, C700, C701, C702, C703
	10PF--5%-T/C--T&R
	C704, C705
	22MF--20%-50VDC--EL--T&A
	C706
	22MF--20%-50VDC--EL--T&A
	C707, C708
	10PF--5%-T/C--T&R
	C709
	470PF--10%-50VDC--T/C--T&R
	C710
	22MF--20%-50VDC--EL--T&A
	C711, C712
	10PF--5%-T/C--T&R
	C713
	.0068MF--10%-50VDC--MON--T&R
	C714
	22MF--20%-50VDC--EL--T&A
	C715
	10PF--5%-T/C--T&R
	C716
	22MF--20%-50VDC--EL--T&A
	C717, C718, C800, C801, C802, C803
	10PF--5%-T/C--T&R
	C804, C805
	100PF--10%-50VDC--T/C--T&R
	C806
	22MF--20%-50VDC--EL--T&A
	C807, C808
	10PF--5%-T/C--T&R
	C809
	470PF--10%-50VDC--T/C--T&R
	C810
	22MF--20%-50VDC--EL--T&A
	C811, C812
	10PF--5%-T/C--T&R
	C813
	.0068MF--10%-50VDC--MON--T&R
	C814
	22MF--20%-50VDC--EL--T&A
	C815
	10PF--5%-T/C--T&R
	C816
	22MF--20%-50VDC--EL--T&A
	C817, C818
	.033 MFD 50VDC 5% MY T&A
	C900, C901
	22MF--20%-50VDC--EL--T&A
	C902
	470MF--20%-6.3VDC--EL--T&A
	C903
	100PF--10%-50VDC--T/C--T&R
	C904
	22MF--20%-50VDC--EL--T&A
	C905
	100PF--10%-50VDC--T/C--T&R
	C906
	470MF--20%-6.3VDC--EL--T&A
	C907
	22MF--20%-50VDC--EL--T&A
	C908, C909
	.1MF--10%-50VDC--MON--T&R
	C910
	.1MF--80-20%-50VDC--T/C--T&R
	C911
	100PF--10%-50VDC--T/C--T&R
	C912
	.1MF--10%-50VDC--MON--T&R
	C913
	39PF--50VDC--T/C--T&R
	C914
	22MF--20%-50VDC--EL--T&A
	C915
	2.2MF--20%-50VDC--EL--T&A
	C916, C917
	22MF--20%-50VDC--EL--T&A
	C918
	.1MF--10%-50VDC--MON--T&R
	C919
	22MF--20%-50VDC--EL--T&A
	C920
	.1MF--10%-50VDC--MON--T&R
	C921
	22MF--20%-50VDC--EL--T&A
	C922
	100PF--10%-50VDC--T/C--T&R
	C923
	.1MF--10%-50VDC--MON--T&R
	C924, C925
	.0068MF--10%-50VDC--MON--T&R
	C614
	22MF--20%-50VDC--EL--T&A
	C926
	39PF--50VDC--T/C--T&R
	C927
	22MF--20%-50VDC--EL--T&A
	C928
	.012MF--10%-50VDC--T/C--T&R
	C929
	2.2MF--20%-50VDC--EL--T&A
	C930
	.012MF--10%-50VDC--T/C--T&R
	C931
	22MF--20%-50VDC--EL--T&A
	C932, C933
	.012MF--10%-50VDC--T/C--T&R
	C934, C935
	39PF--50VDC--T/C--T&R
	C936
	22MF--20%-50VDC--EL--T&A
	C937
	.012MF--10%-50VDC--T/C--T&R
	C938
	39PF--50VDC--T/C--T&R
	C939
	.012MF--10%-50VDC--T/C--T&R
	C940
	39PF--50VDC--T/C--T&R
	C941
	22MF--20%-50VDC--EL--T&A
	C942
	2.2MF--20%-50VDC--EL--T&A
	C944, C945
	.0015MF--10%-50VDC--T/C--T&R
	C947
	22MF--20%-50VDC--EL--T&A
	C948
	.0015MF--10%-50VDC--T/C--T&R
	C949
	2.2MF--20%-50VDC--EL--T&A
	C950
	.0015MF--10%-50VDC--T/C--T&R
	C951
	22MF--20%-50VDC--EL--T&A
	C952
	.0015MF--10%-50VDC--T/C--T&R
	C953
	2.2MF--20%-50VDC--EL--T&A
	C955
	.0015MF--10%-50VDC--T/C--T&R
	C959, C960
	2.2MF--20%-50VDC--EL--T&A
	C961
	1M4148 75V 10VA SILICON DIODE
	CR100, CR101, CR102, CR103, CR200,
	CR201, CR202, CR203, CR500, CR501,
	CR502, CR503, CR600, CR601, CR602,
	CR603, CR700, CR701, CR702, CR703,
	CR800, CR801, CR802, CR803, CR904,
	CR905, CR906, CR907, CR908, CR909,
	CR910, CR911, CR912, CR913, CR914
	LED (4FL-16G-E) TI RED W/ 0.170" SPACER T&A
	CR915
	14 PIN x 7.5" cable assm. 2.5m
	J1
	2 TIP HID JACK NINS W/SPD
	J01, J02, J03, J04, J05, J06, J07
	2 TIP HID JACK INSU W/SPD
	J08
	2 TIP HID JACK NINS W/SPD
	J09
	NON-SWITCHED QWRD RCA JACK
	J010
	MACH INSERT FEMALE XLR CON
	J100
	2 TIP HID JACK NINS W/SPD
	J101
	MACH INSERT FEMALE XLR CON
	J200
	2 TIP HID JACK NINS W/SPD
	J201, J500
	MACH INSERT FEMALE XLR CON
	J501
	2 TIP HID JACK NINS W/SPD
	J600
	MACH INSERT FEMALE XLR CON
	J601
	2 TIP HID JACK NINS W/SPD
	J700
	MACH INSERT FEMALE XLR CON
	J701
	2 TIP HID JACK NINS W/SPD
	J800
	MACH INSERT FEMALE XLR CON
	J801
	10 MICRO .H 20% INDUCTOR
	L1

NOTE: THIS IS A BASE SCHEMATIC FOR TWO ASSEMBLIES OF WIRE BOARD # 99201.3. SEE BOARD LAYOUT FOR ASSEMBLY DIFFERENCES.

WIRE JUMPS:
 J102 - J104
 J105 - J106
 J107 - J108
 J109 - J110
 J111 - J112
 J113 - J114
 J115 - J116
 J117 - J118
 J119 - J120



FOR IRM 6150 ASSEMBLY
USE 1.5K RESISTORS

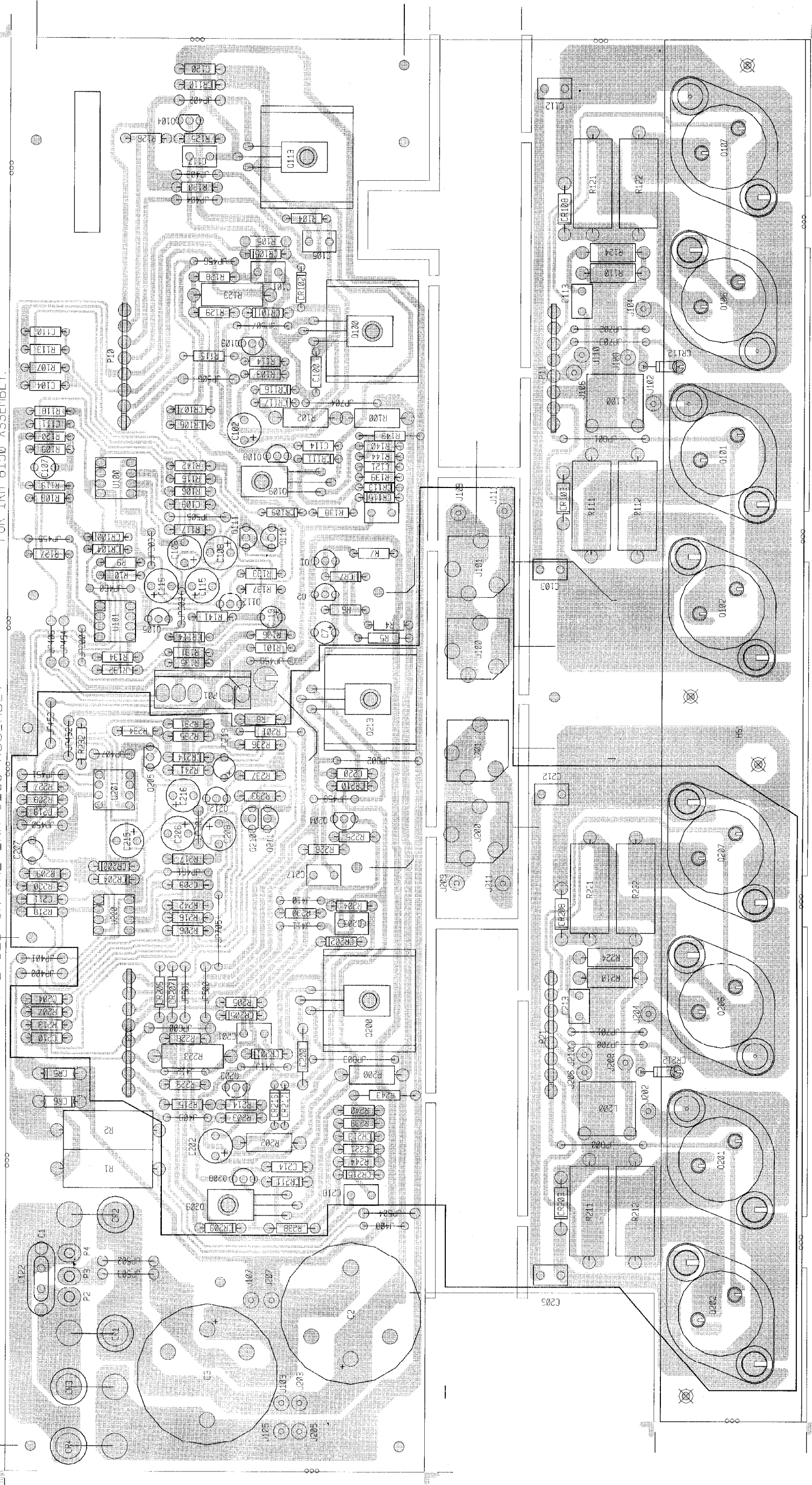
DEVICES IN THIS AREA WILL NOT BE
PLACED ON THE IRM 6150 ASSEMBLY

DO NOT INSERT PIN #1
FOR IRM 8150 ASSEMBLY.

INSERT C122 FOR BOTH EXPORT ASSEMBLIES
INSERT C1 FOR BOTH DOMESTIC ASSEMBLIES

300SC POWER

ASSEMBLY NAME
300SC DOMESTIC
300SC EXPORT
IRM 8150 DOMESTIC
IRM 8150 EXPORT

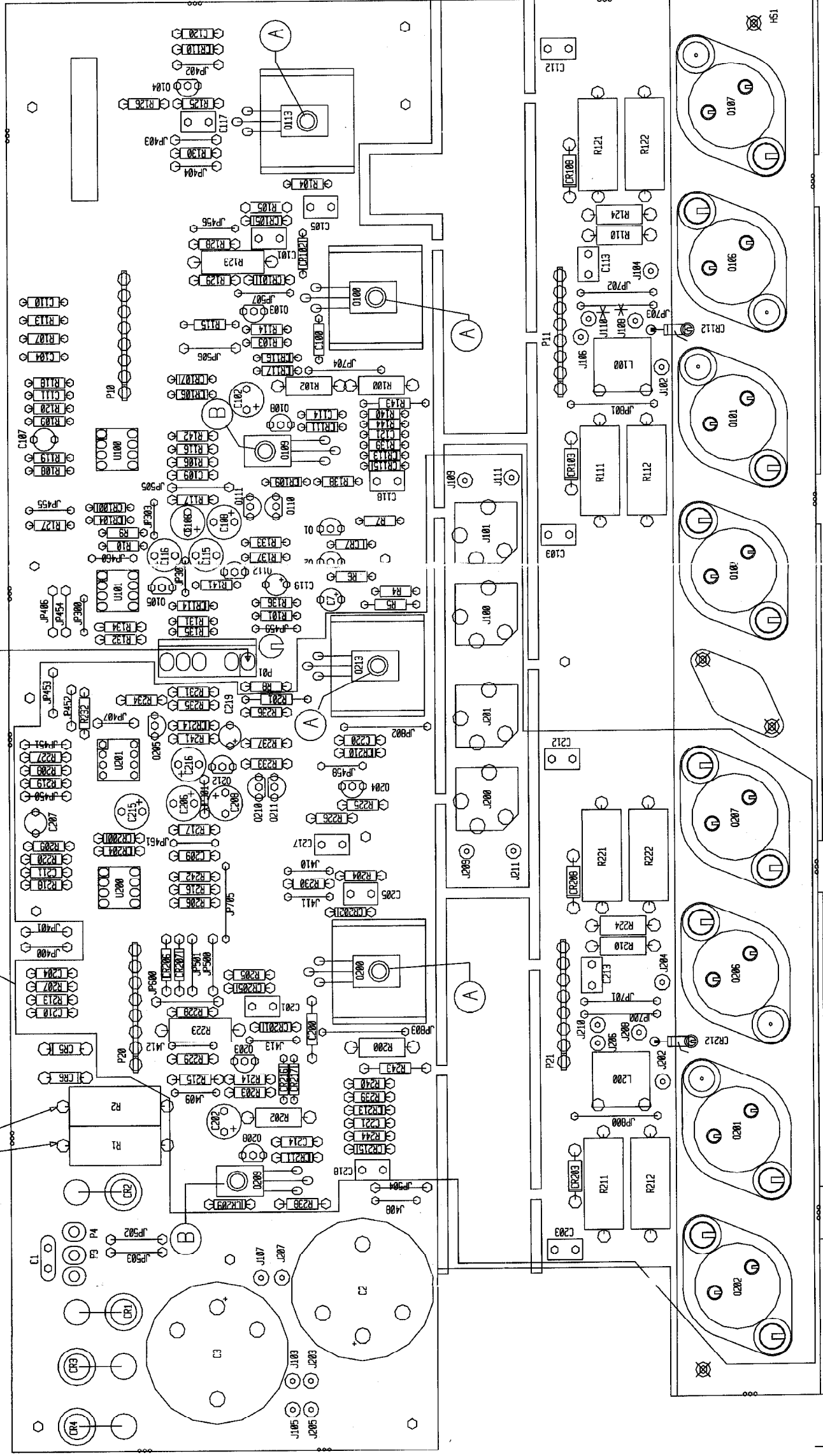


ASSEMBLY NAME	ASSEMBLY P/N
XRD 680	99597312
IRM 8150	99530383

FOR IRM 8150 ASSEMBLY
USE 1.5K RESISTORS

DEVICES IN THIS AREA WILL NOT
BE PLACED ON THE IRM 8150 ASSEMBLY.

DO NOT INSERT PIN #1
FOR IRM 8150 ASSEMBLY.



P/N's of wire jumpers
 J102. J103. J202. J203 - P/N 91012174
 J104. J105. J204. J205 - P/N 91090175
 J106. J107. J206. J207 - P/N 91011165
 J108. J109. J208. J209 - P/N 91090172
 J110. J111. J210. J211 - P/N 91090173

*NOTE: FOR IRM 8150 ASSEMBLY:
 J108 USES WIRE P/N 91090253
 J110 USES WIRE P/N 91090254

Connect wire jumpers
to the following locations:

XRD 680	IRM 8150
J210 to J211	J102 to J103
J208 to J209	J104 to J105
J206 to J207 @	J106 to J107 #
J102 to J103 #	J108 & J110
J104 to J105 #	WILL NOT BE
J106 to J107	CONNECTED.
J108 to J109	
J110 to J111	
J202 to J203 @	
J204 to J205 @	

300SC / IRM8150 POWER/DRIVE BD.

1	2.7K	2.7K	70240021	2.7K-1/4W-5%—CF-T&R R237
1	47K	47K	70240031	47K-1/4W-5%—CF-T&R R238
1	4.7K	4.7K	70240023	4.7K-1/4W-5%—CF-T&R R239
1	18	18	70240006	18—1/4W-5%—CF-T&R R240
1	220K	220K	70240036	220K-1/4W-5%—CF-T&R R241
1	4.7K	4.7K	70240023	4.7K-1/4W-5%—CF-T&R R242
1	47FP	47FP	70240090	47FP-1/4W-5%—FP-T&R R243
1	680	680	70240016	680-1/4W-5%—CF-T&R R244
1	4560	4560	70414560	4560 DUAL OP AMP IC U100
1	13080	13080	70413080	LM3080N CUSTOM SELECTED U101
1	4560	4560	70414560	4560 DUAL OP AMP IC U200
1	13080	13080	70413080	LM3080N CUSTOM SELECTED U201
