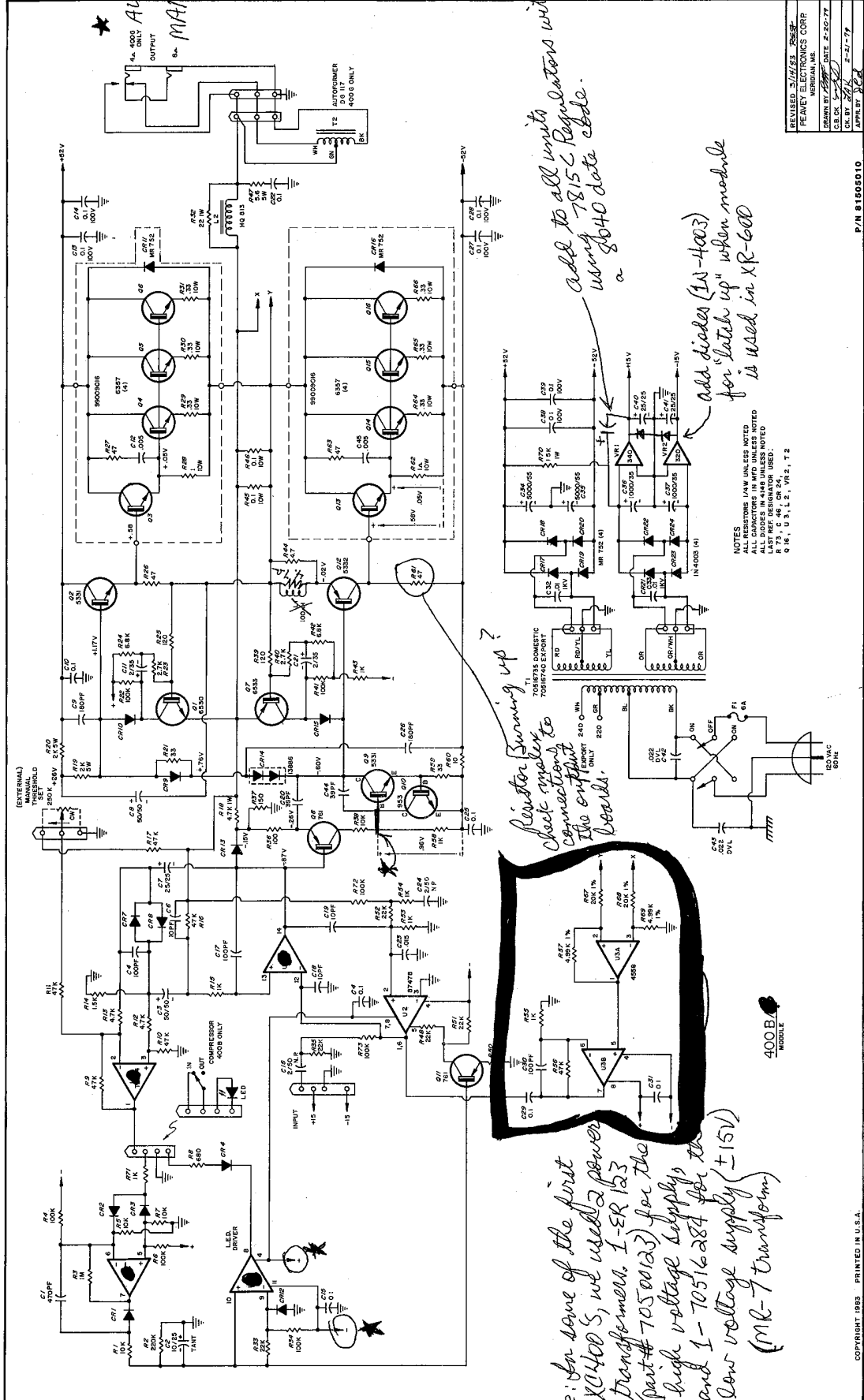


✓ If low transient pop is note, check C11

★ If positive voltage here, 10k resistor R60 is open



Note: In some of the first KC400's, we used 2 power transformers, 1-ER 153 (part # 7050023) for the high voltage supply and 1-70516284 for the low voltage supply (±15V) (MR-7 transform)

Resistor turning up? Check meter to connection the output boards.

add to all units using 7815C Regulators with using 8040 data cable.

add diodes (1N-4003) for "latch up" when module is used in XR-600

NOTES:
ALL RESISTORS 1/4W UNLESS NOTED
ALL CAPACITORS IN MFD UNLESS NOTED
RESISTOR VALUES UNLESS NOTED
LISTED DESIGNATION USED.
R 73, C 46, OR 24,
Q 81, U.S.L.E., VR 2, T 2

REVISED 3/1/73 254-2
PEAVEY ELECTRONICS CORP
MUNSHAP, IN.
DRAWN BY 254-2 DATE 2-20-72
CHECKED BY 254-2 DATE 2-21-72
APPROVED BY 254-2

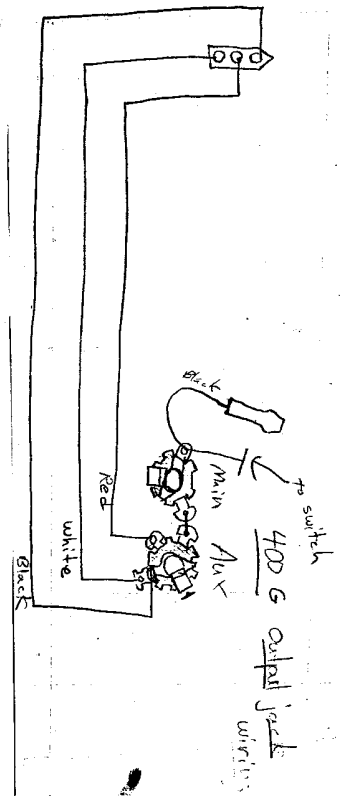
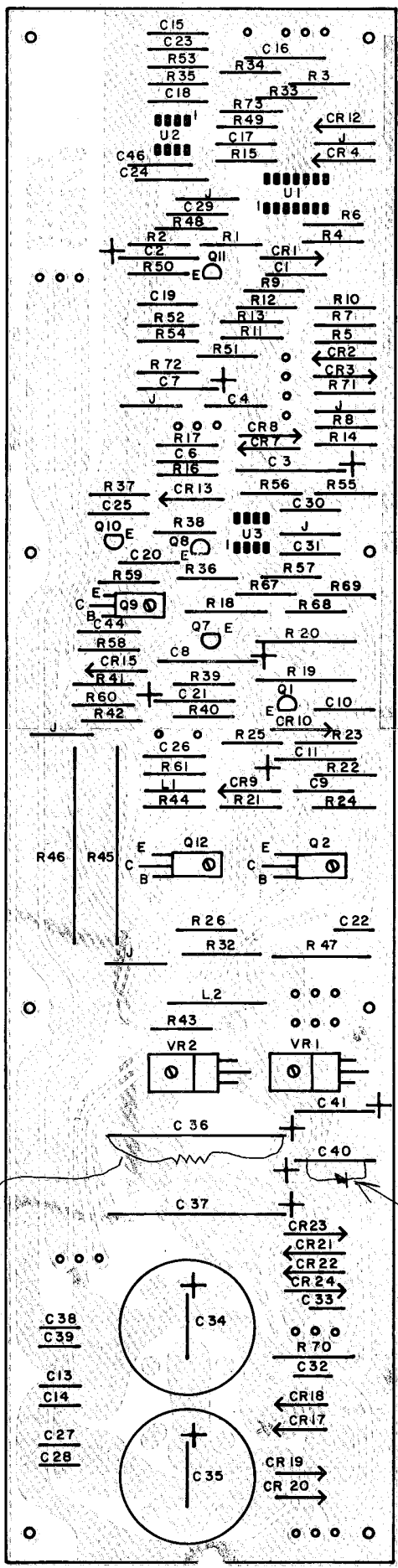
400B MODULE

P/N 81505010

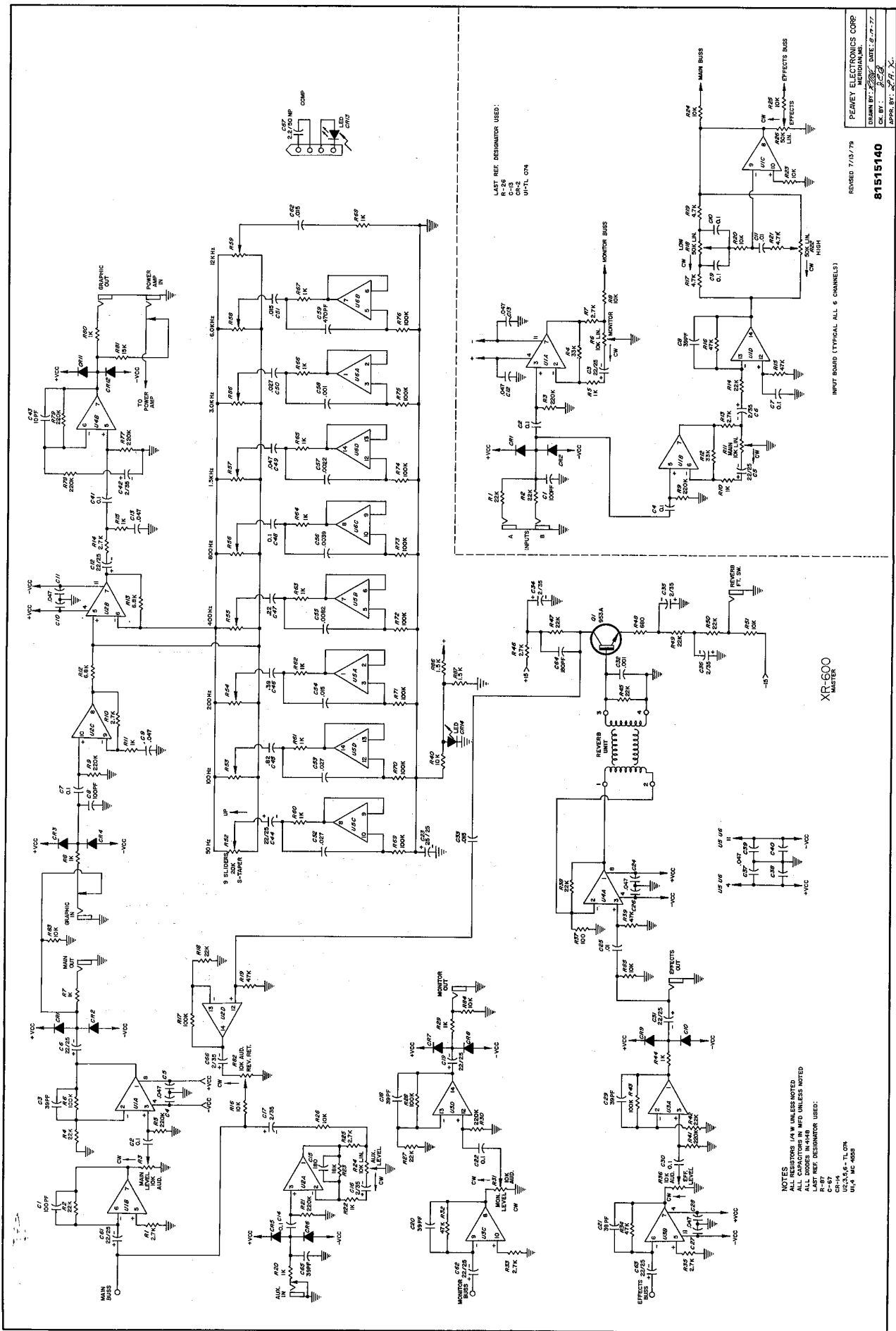
COPYRIGHT 1983 PRINTED IN U.S.A.

Rotating up is caused by
 700Ω in Pm or preamp.
 See modification
 on this sheet.

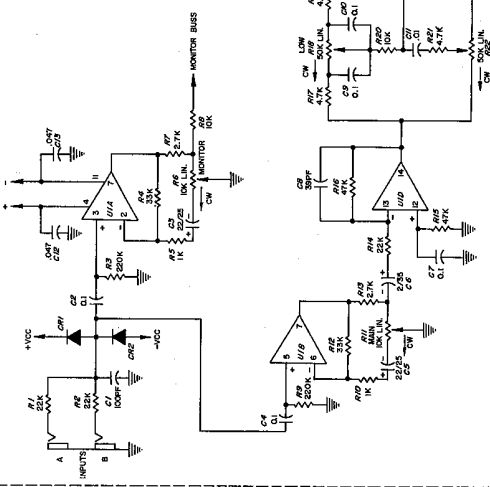
for "turn-off" transient chirp
 add 700Ω. * resistor across
 capacitor. * substitute value of turned
 off. if not longer chirps when
 turned off.



Add IN 4003 in parallel
 with R66.



LAST REF. DESIGNATOR USED:
 R-24
 C-13
 C-14
 U1-TL, C74



INPUT BOARD (TYPICAL ALL 6 CHANNELS)

REVISED 7/19/79

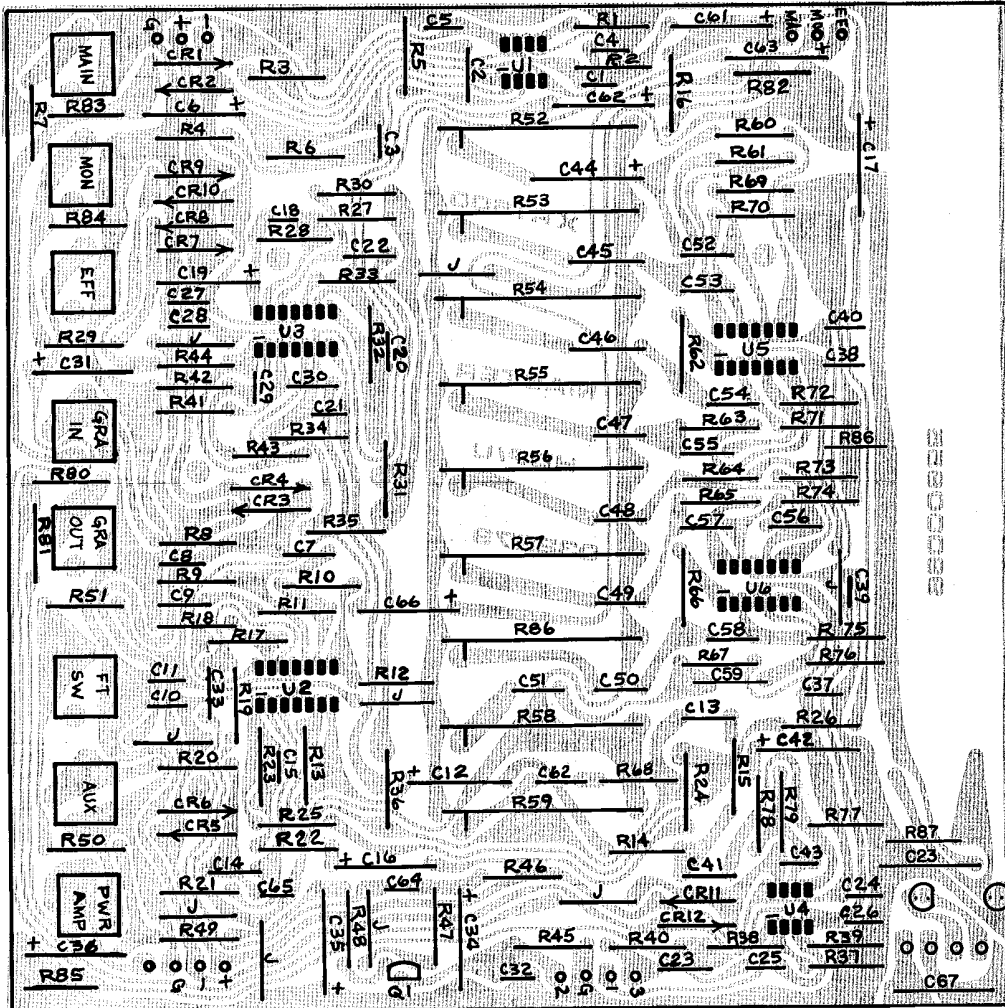
81515140

PEAVEY ELECTRONICS CORP.
 MERRIMACK, MASS.
 DRAWN BY: J. J. B. DATE: 8-27-77
 CK BY: J. J. B.
 DESIGNED BY: J. J. B.

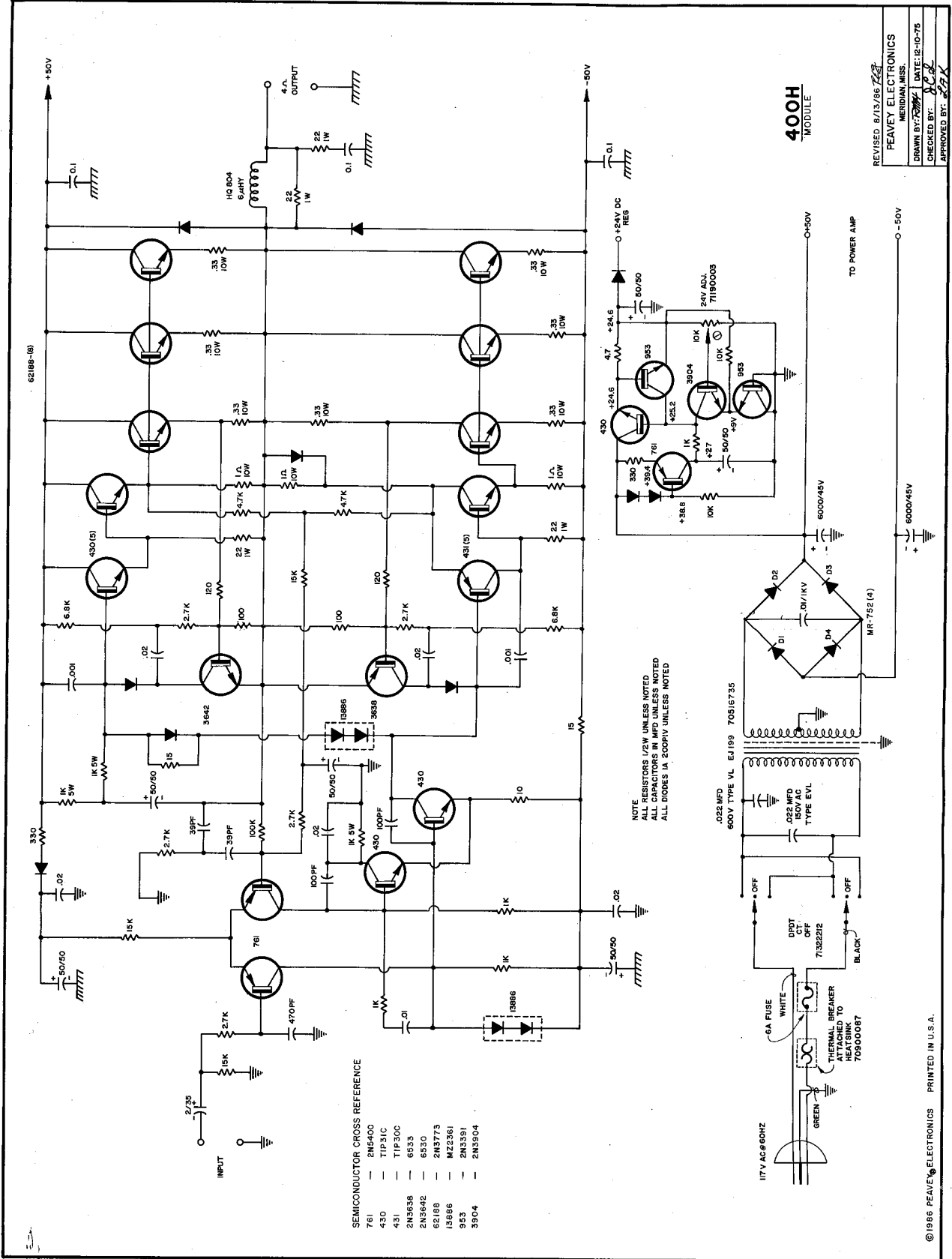
XR-600
 INPUT BOARD

NOTES
 1. ALL RESISTORS / M UNLESS NOTED
 2. ALL CAPACITORS / M UNLESS NOTED
 3. ALL DIMENSIONS IN INCHES UNLESS NOTED
 4. LAST REF. DESIGNATOR USED:
 C-67
 C-54
 C-51
 U1A, MC 4058

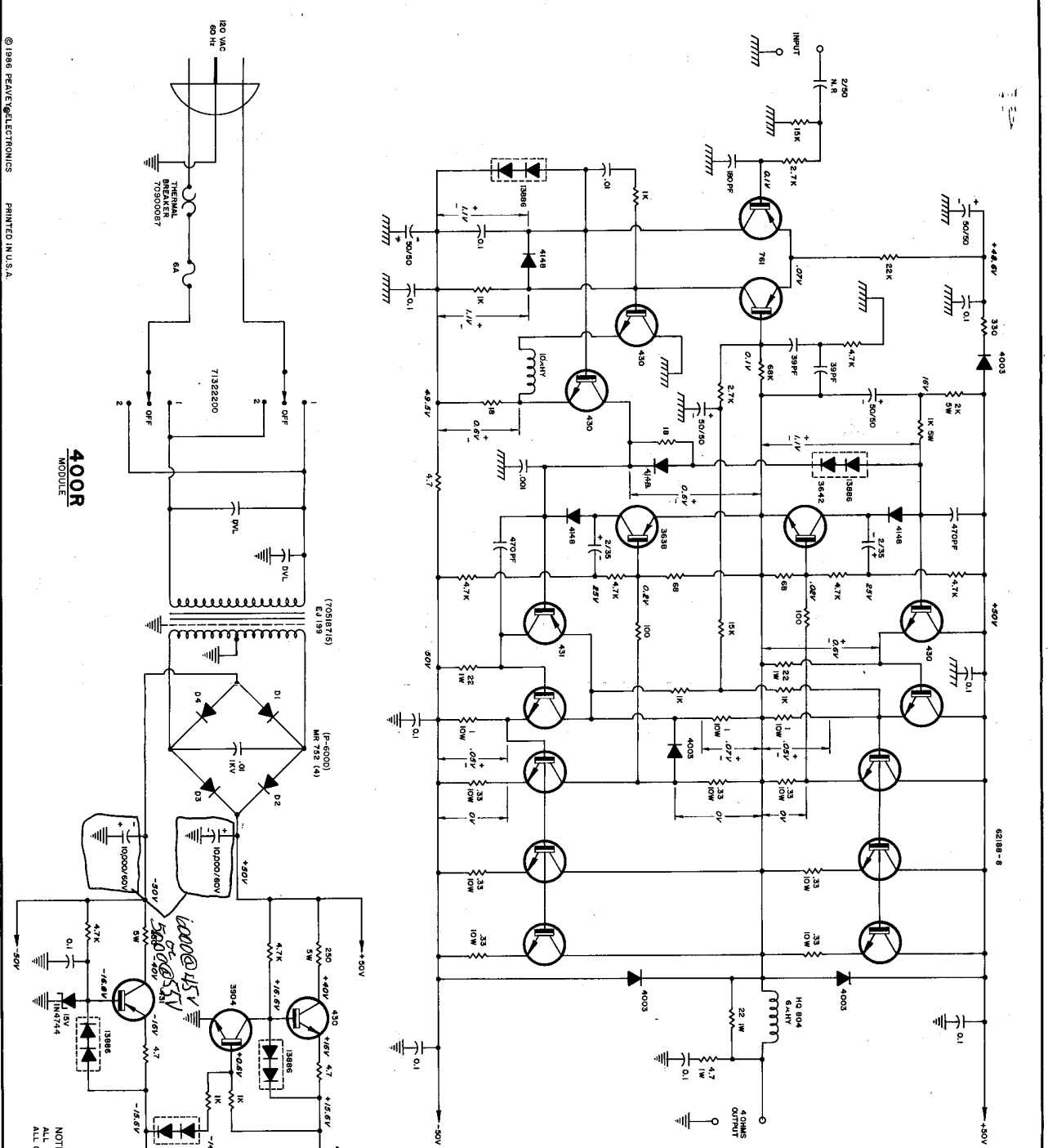
XR700 MASTER



XXXXXXXXXX



400R
MODULE



SEMICONDUCTOR CROSS REFERENCE

781	—	2N4500
430	—	TIP31C
431	—	TIP30C
3638	—	6ES3
3642	—	6ES3
62108	—	2N3773
15886	—	M2251
1N4744	—	40102
2N3904	—	7239

*+45v on output- No Reg.
wave out when operated
open load w/ signal.*

NOTE
ALL RESISTORS 1/4W UNLESS NOTED
ALL CAPACITORS IN MFD UNLESS NOTED

PEAVEY ELECTRONICS
MERRIDEN, MS.
FORM REV. 2/24/84 DATE 2-1-76
DES BY: J.A.K. DATE 2-1-88
APP'D BY: J.A.K.