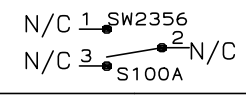
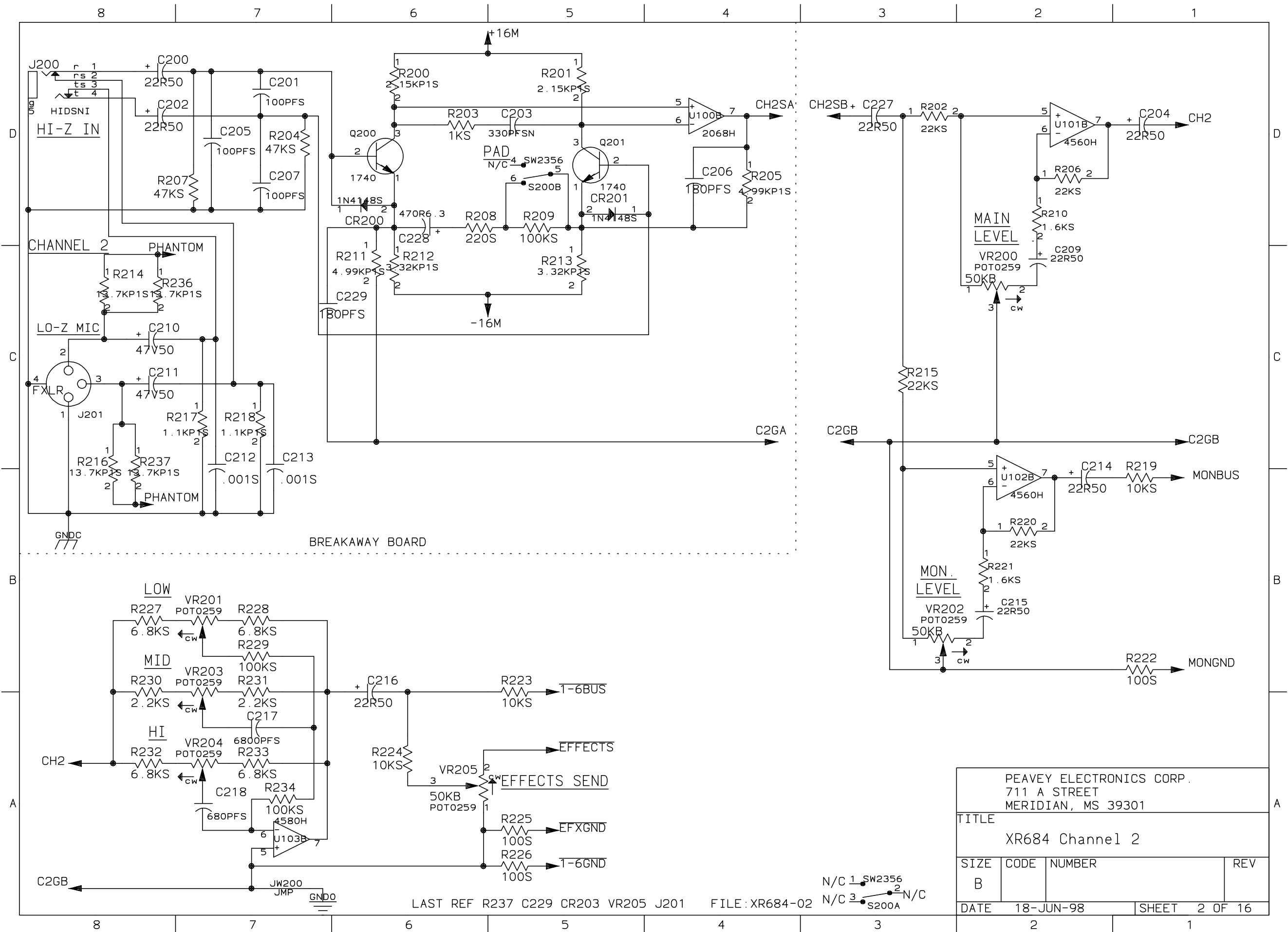


PEAVEY ELECTRONICS CORP. 711 A STREET MERIDIAN, MS 39301			
TITLE XR684 Channel 1			
SIZE B	CODE	NUMBER	REV
DATE 18-JUN-98	SHEET 1 OF 16		

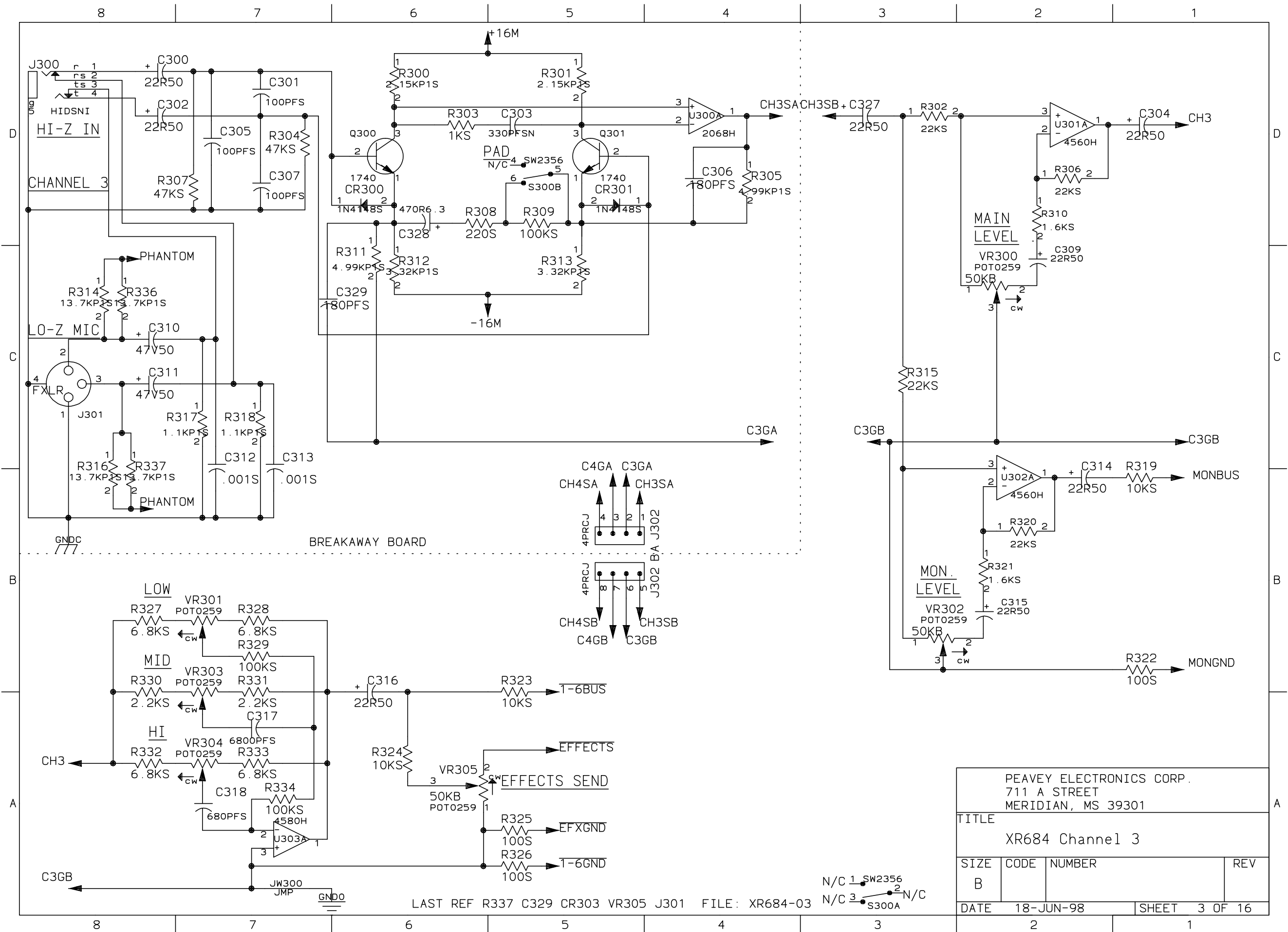
LAST REF R137 C129 CR103 VR105 J101 FILE: XR684-01





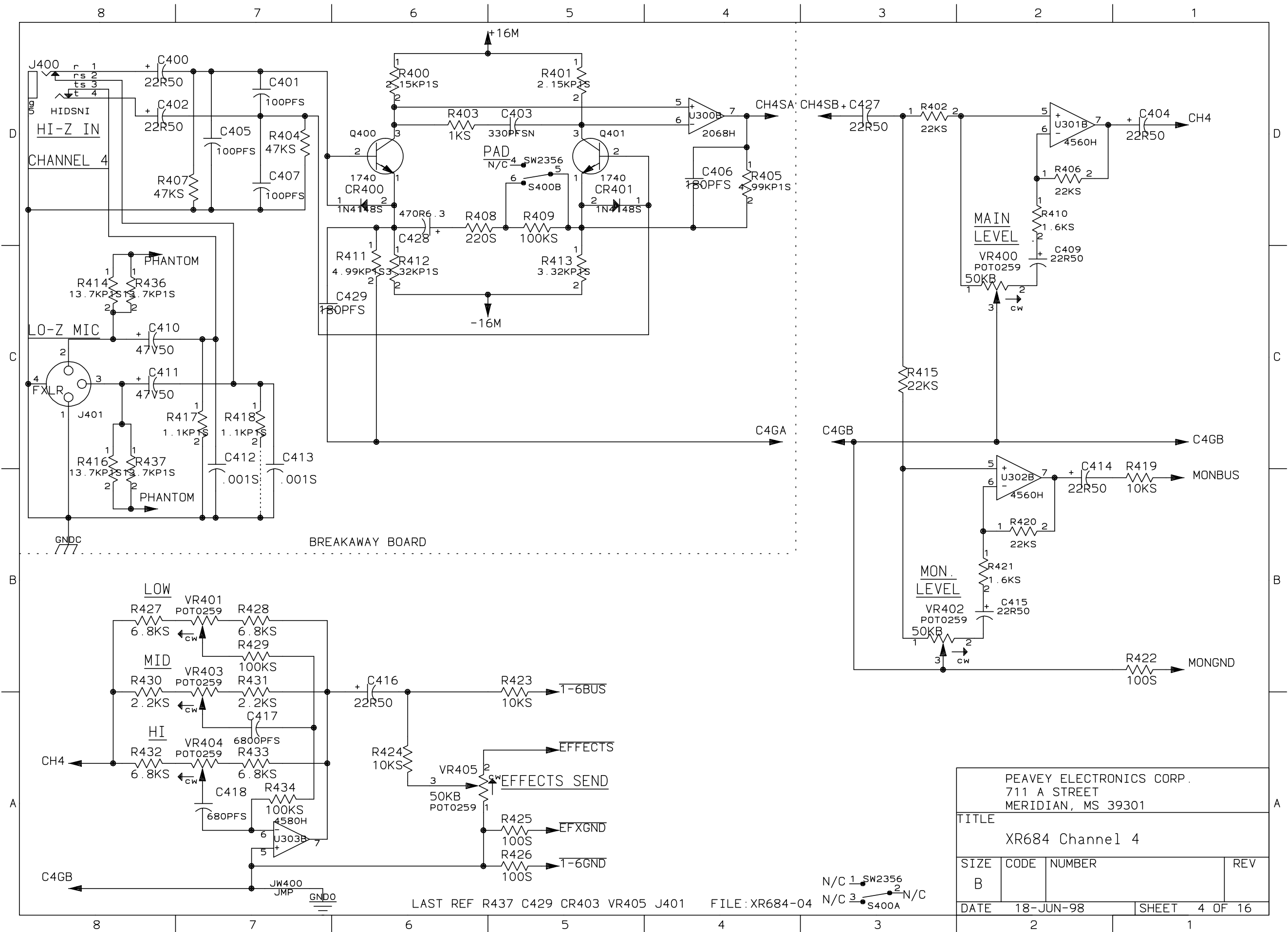
LAST REF R237 C229 CR203 VR205 J201 FILE:XR684-02 N/C 1 SW2356 N/C 3 S200A

PEAVEY ELECTRONICS CORP. 711 A STREET MERIDIAN, MS 39301			
TITLE XR684 Channel 2			
SIZE B	CODE	NUMBER	REV
DATE 18-JUN-98	SHEET 2 OF 16		



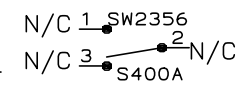
PEAVEY ELECTRONICS CORP. 711 A STREET MERIDIAN, MS 39301			
TITLE XR684 Channel 3			
SIZE B	CODE	NUMBER	REV
DATE 18-JUN-98	SHEET 3 OF 16		

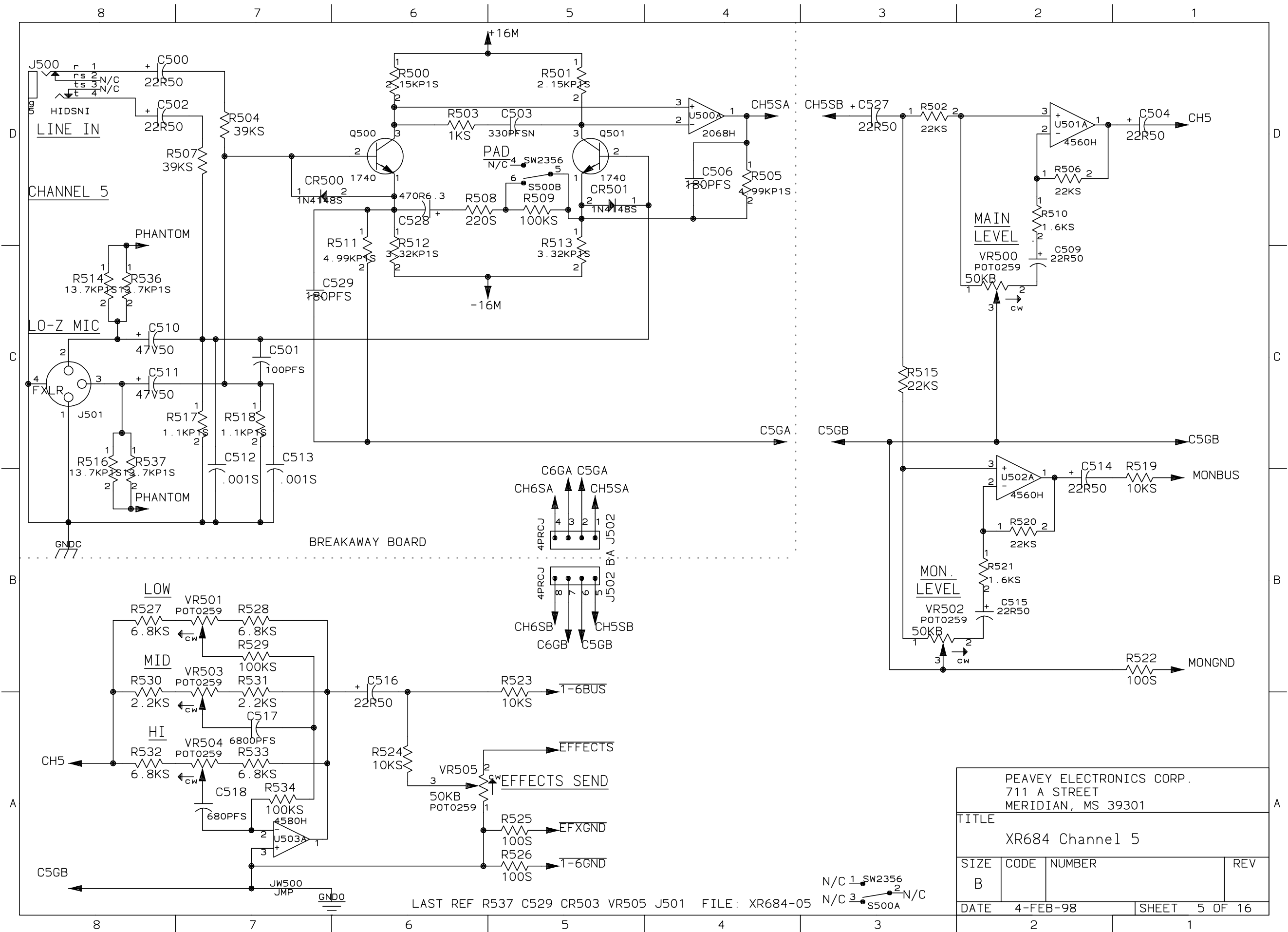
LAST REF R337 C329 CR303 VR305 J301 FILE: XR684-03



LAST REF R437 C429 CR403 VR405 J401 FILE: XR684-04

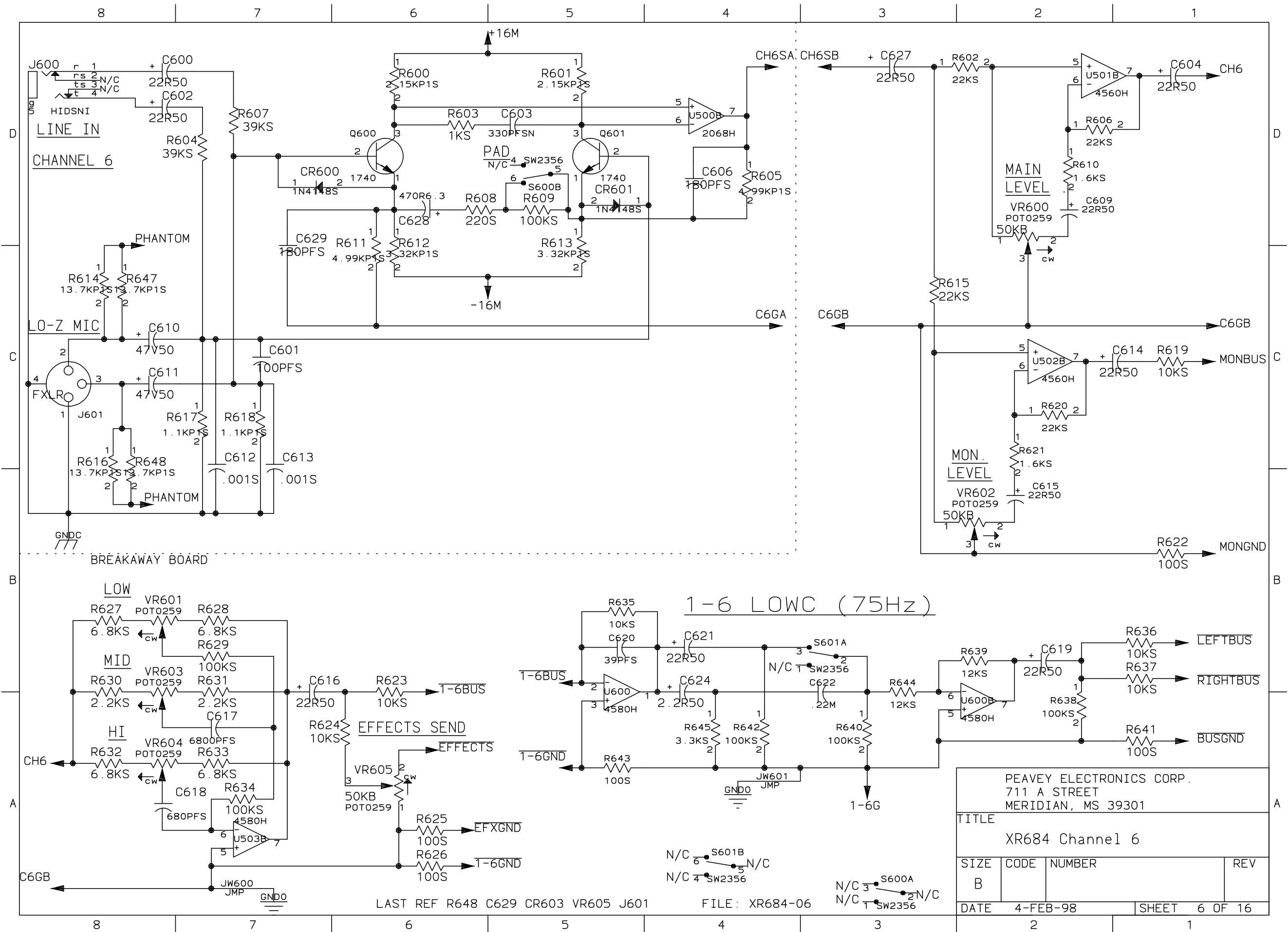
PEAVEY ELECTRONICS CORP. 711 A STREET MERIDIAN, MS 39301			
TITLE XR684 Channel 4			
SIZE B	CODE	NUMBER	REV
DATE 18-JUN-98	SHEET 4 OF 16		





PEAVEY ELECTRONICS CORP. 711 A STREET MERIDIAN, MS 39301			
TITLE XR684 Channel 5			
SIZE B	CODE	NUMBER	REV
DATE 4-FEB-98	SHEET 5 OF 16		1

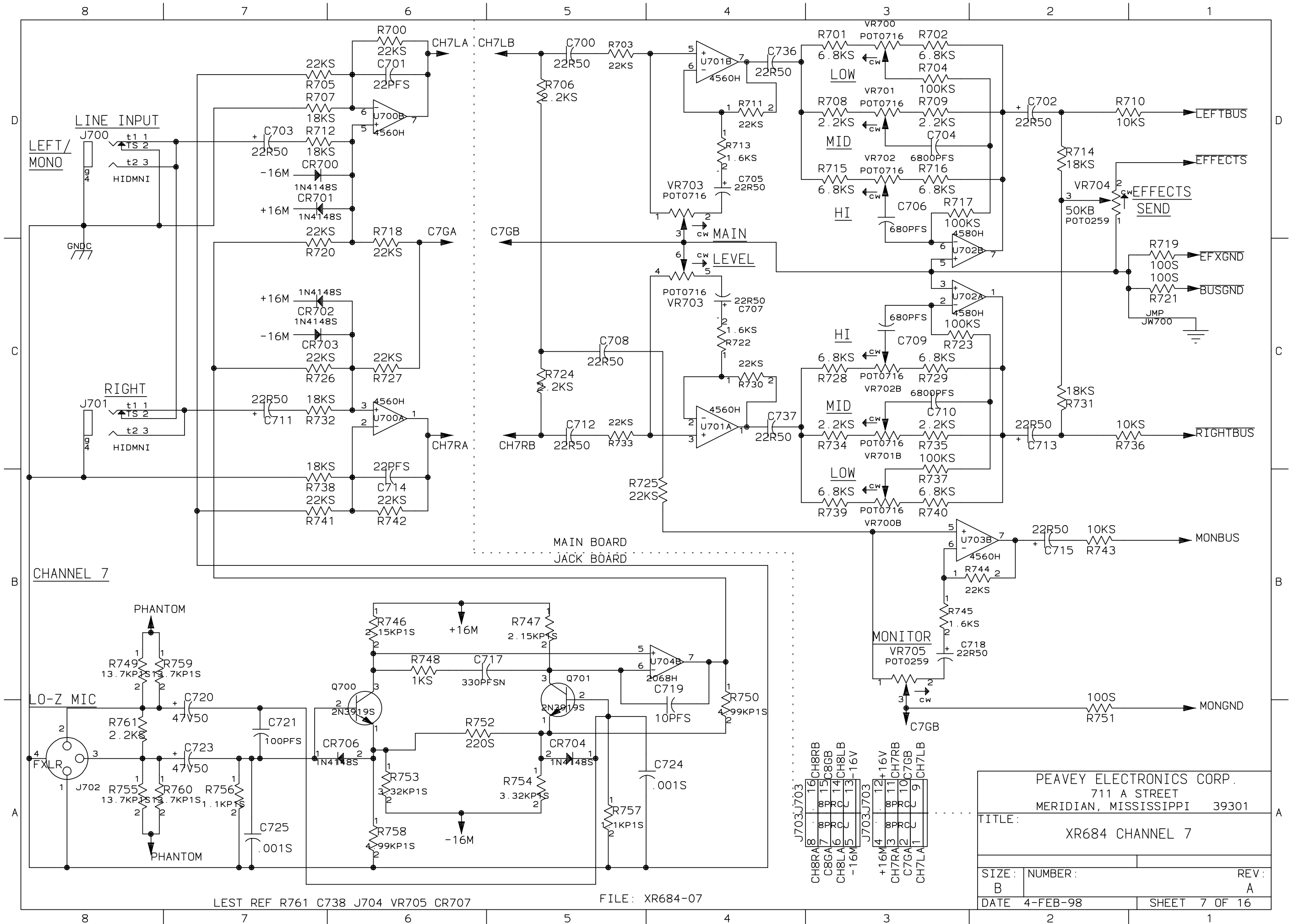
LAST REF R537 C529 CR503 VR505 J501 FILE: XR684-05



BREAKAWAY BOARD

PEAVEY ELECTRONICS CORP. 711 A STREET MERIDIAN, MS 39301			
TITLE XR684 Channel 6			
SIZE B	CODE	NUMBER	REV
DATE 4-FEB-98	SHEET 6 OF 16		

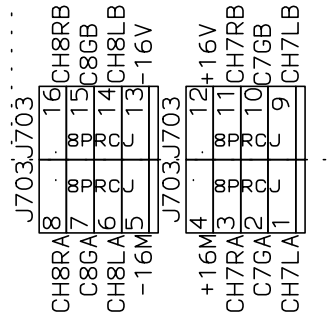
LAST REF R648 C629 CR603 VR605 J601 FILE: XR684-06

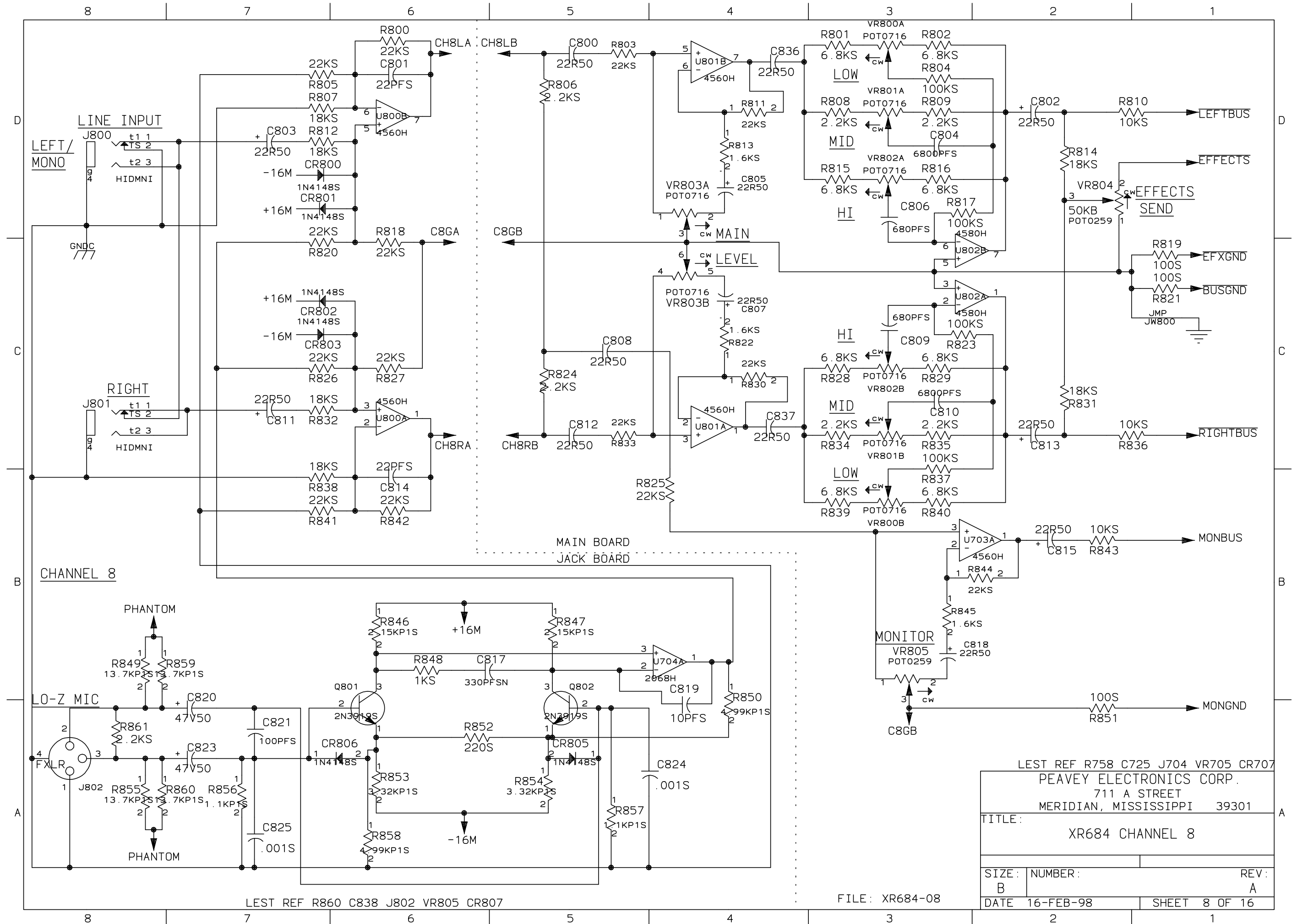


LEST REF R761 C738 J704 VR705 CR707

FILE: XR684-07

PEAVEY ELECTRONICS CORP. 711 A STREET MERIDIAN, MISSISSIPPI 39301		
TITLE: XR684 CHANNEL 7		
SIZE: B	NUMBER:	REV: A
DATE 4-FEB-98	SHEET 7 OF 16	

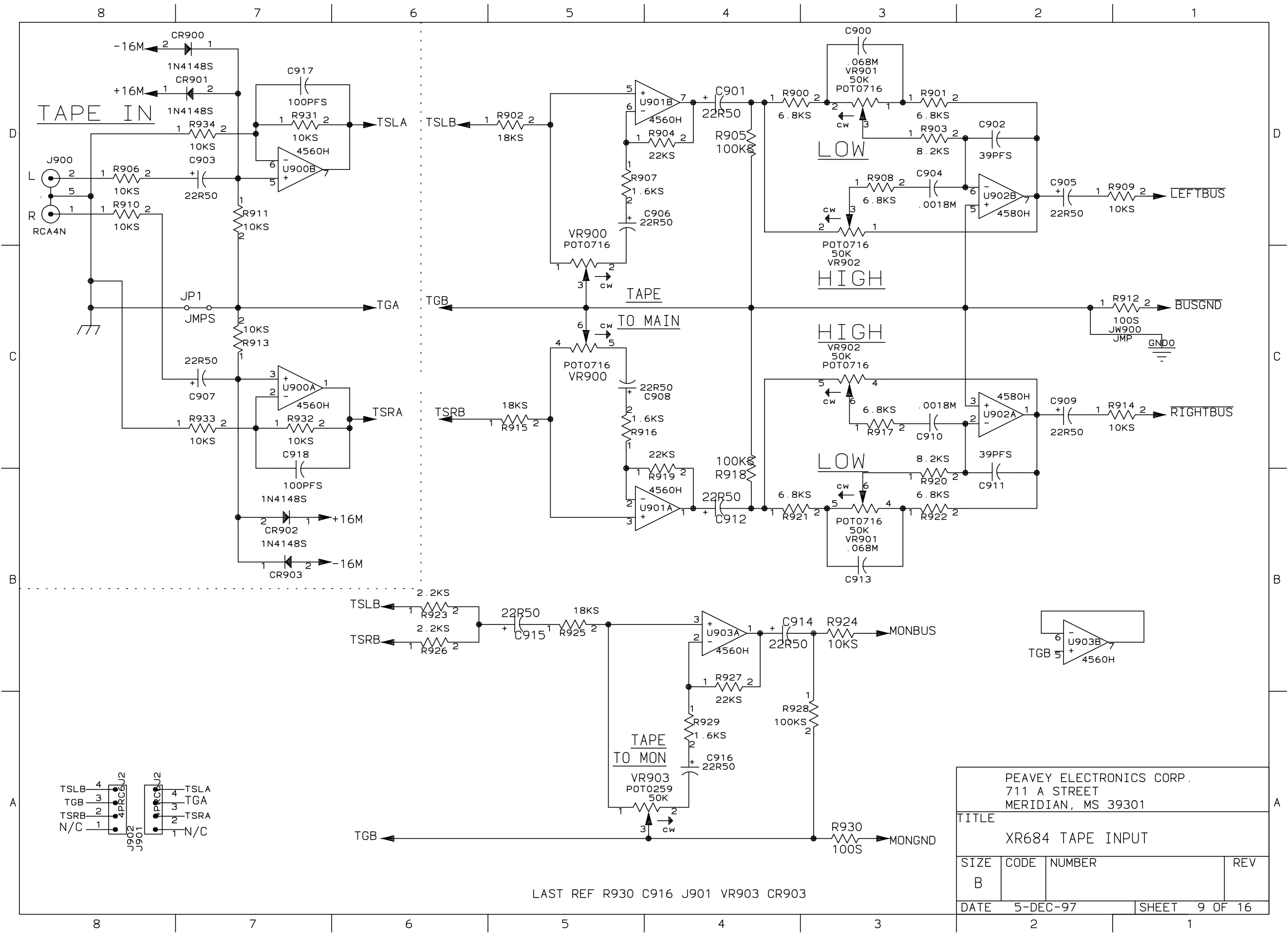




LEST REF R758 C725 J704 VR705 CR707
 PEAVEY ELECTRONICS CORP.
 711 A STREET
 MERIDIAN, MISSISSIPPI 39301
 TITLE: XR684 CHANNEL 8
 SIZE: B NUMBER: REV: A
 DATE 16-FEB-98 SHEET 8 OF 16

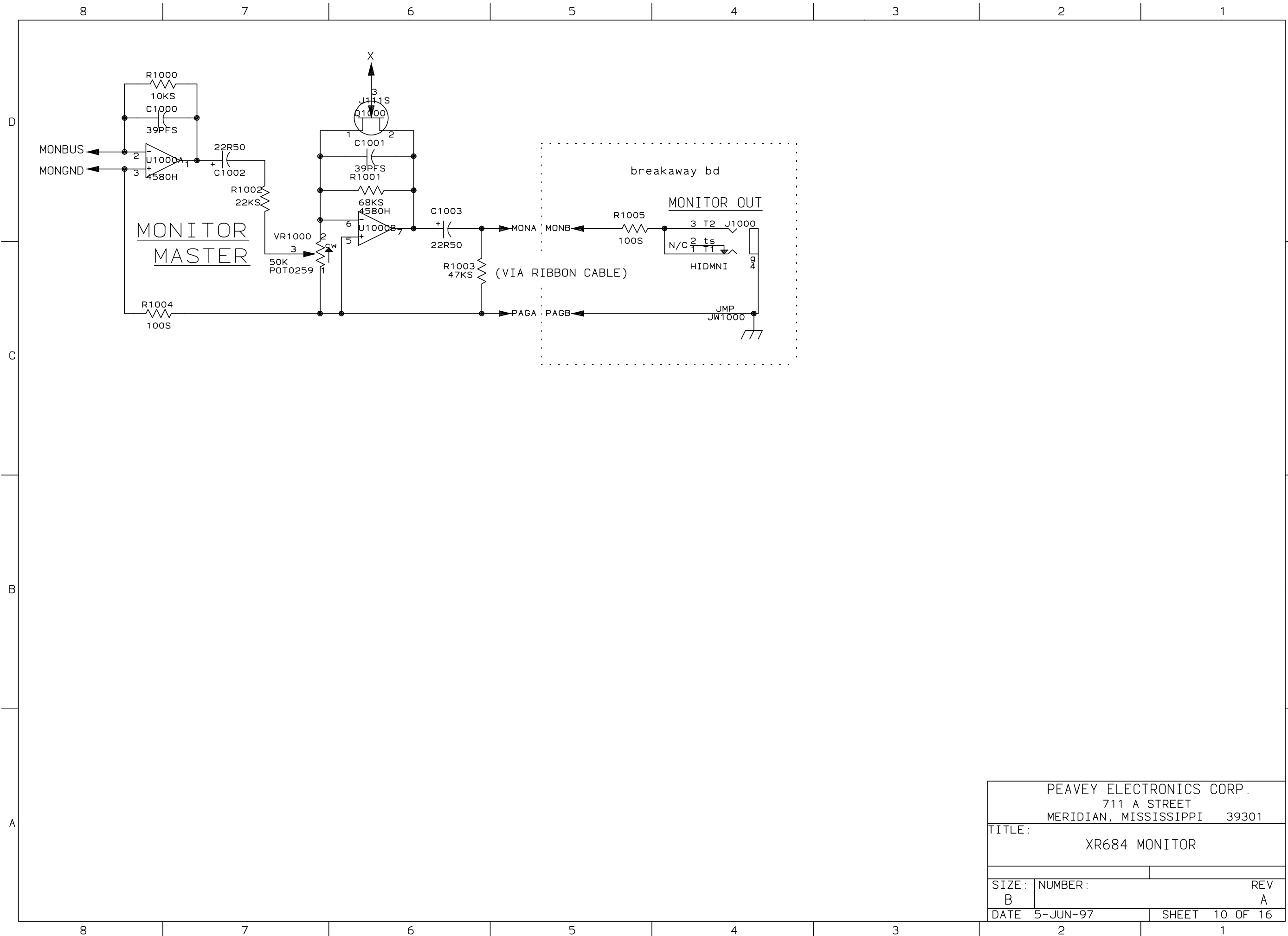
FILE: XR684-08

LEST REF R860 C838 J802 VR805 CR807

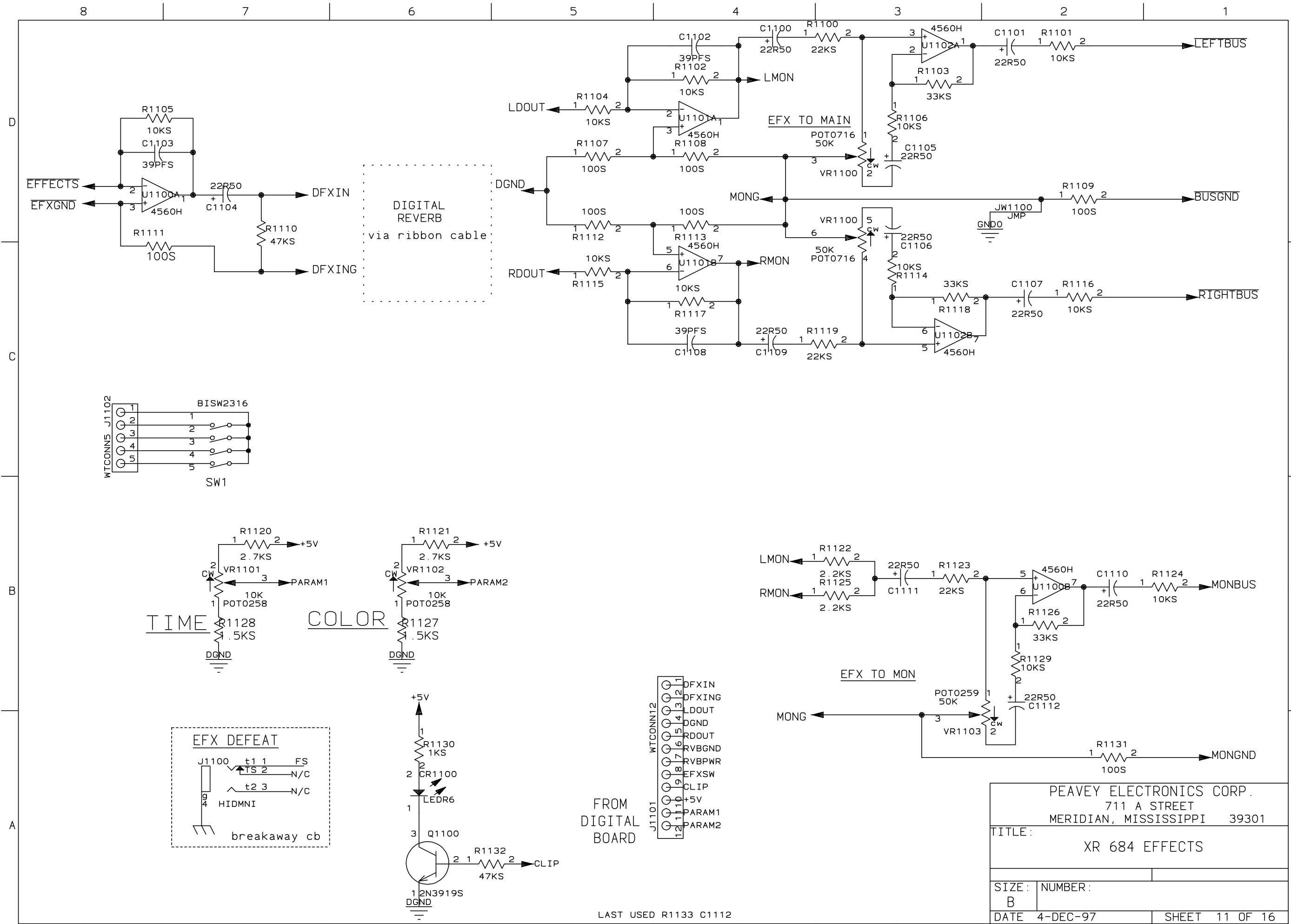


LAST REF R930 C916 J901 VR903 CR903

PEAVEY ELECTRONICS CORP. 711 A STREET MERIDIAN, MS 39301			
TITLE XR684 TAPE INPUT			
SIZE B	CODE	NUMBER	REV
DATE 5-DEC-97	SHEET 9 OF 16		

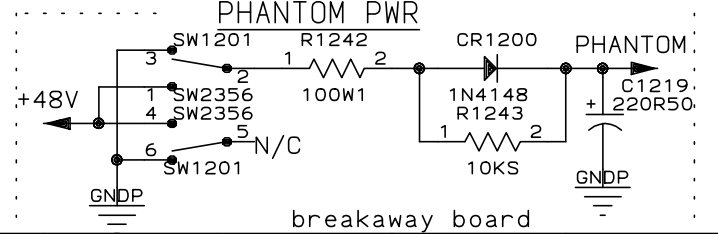
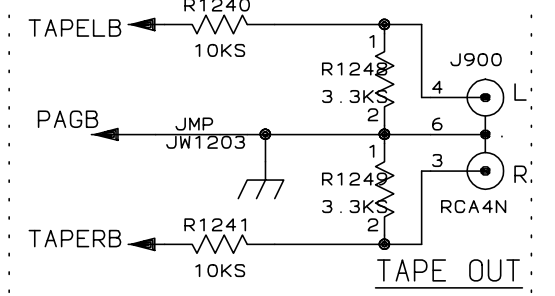
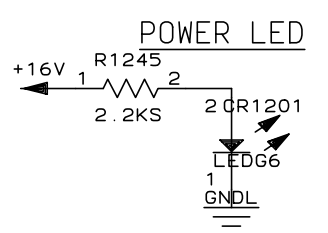
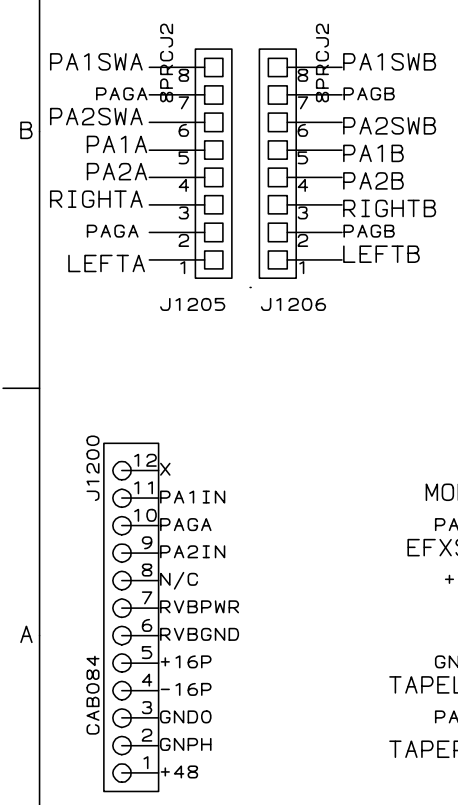
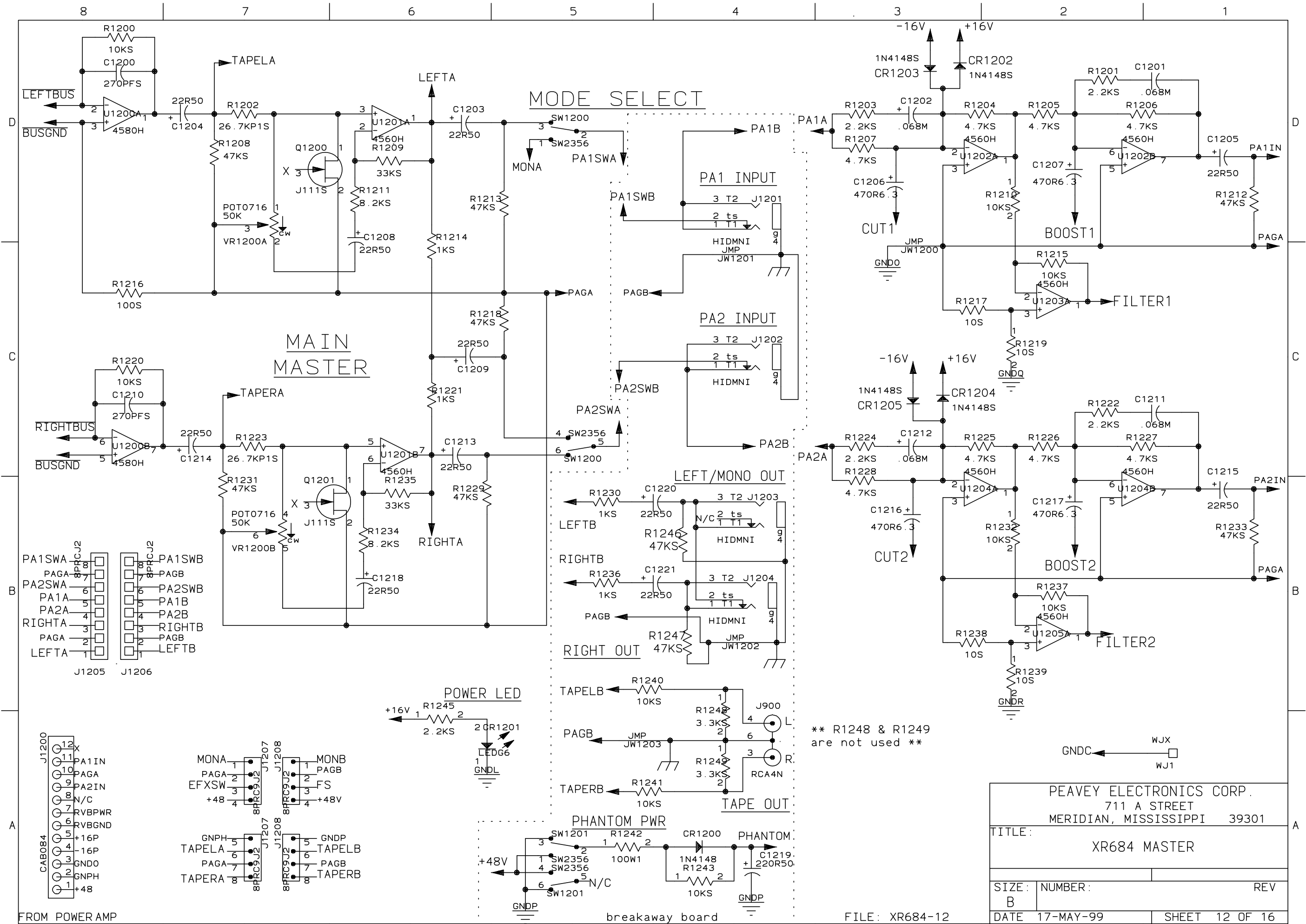


PEAVEY ELECTRONICS CORP. 711 A STREET MERIDIAN, MISSISSIPPI 39301	
TITLE: XR684 MONITOR	
SIZE: B	NUMBER: REV A
DATE 5-JUN-97	SHEET 10 OF 16



PEAVEY ELECTRONICS CORP. 711 A STREET MERIDIAN, MISSISSIPPI 39301	
TITLE: XR 684 EFFECTS	
SIZE: B	NUMBER:
DATE 4-DEC-97	SHEET 11 OF 16

LAST USED R1133 C1112



** R1248 & R1249 are not used **

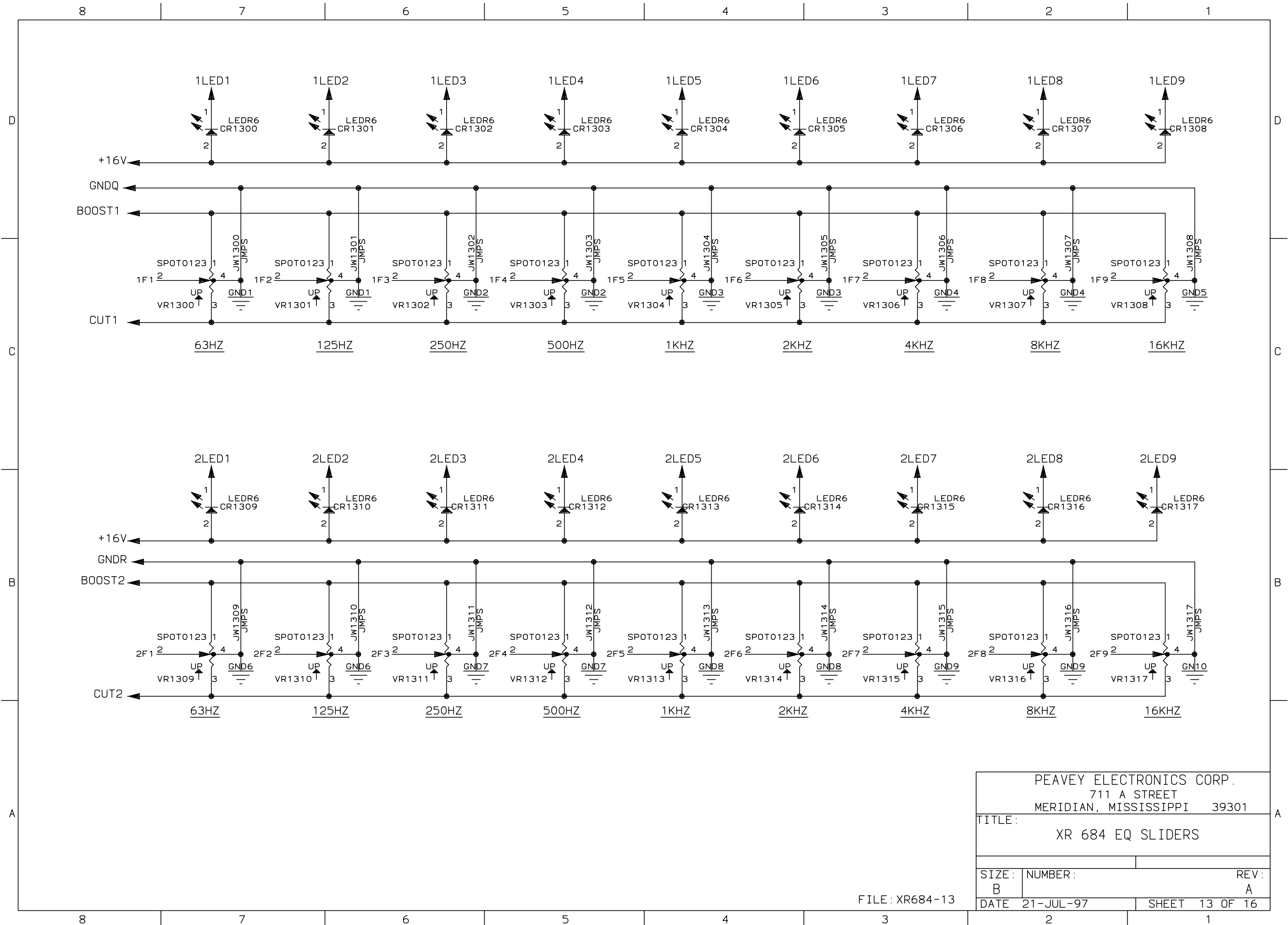
PEAVEY ELECTRONICS CORP.
711 A STREET
MERIDIAN, MISSISSIPPI 39301

TITLE: XR684 MASTER		
SIZE: B	NUMBER:	REV
DATE: 17-MAY-99	SHEET 12 OF 16	

FILE: XR684-12

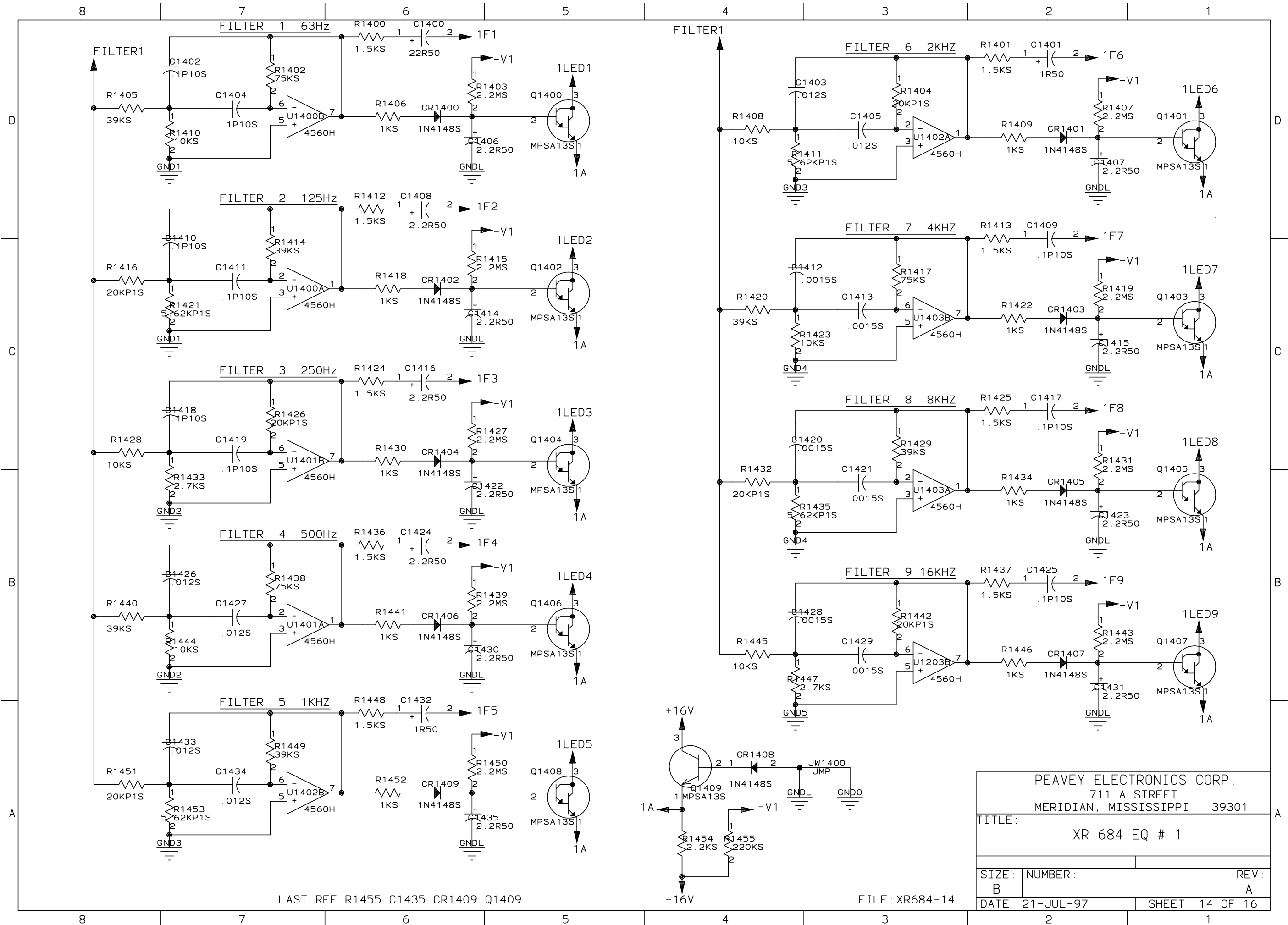
breakaway board

FROM POWER AMP



PEAVEY ELECTRONICS CORP. 711 A STREET MERIDIAN, MISSISSIPPI 39301		
TITLE: XR 684 EQ SLIDERS		
SIZE: B	NUMBER:	REV: A
DATE 21-JUL-97	SHEET 13 OF 16	

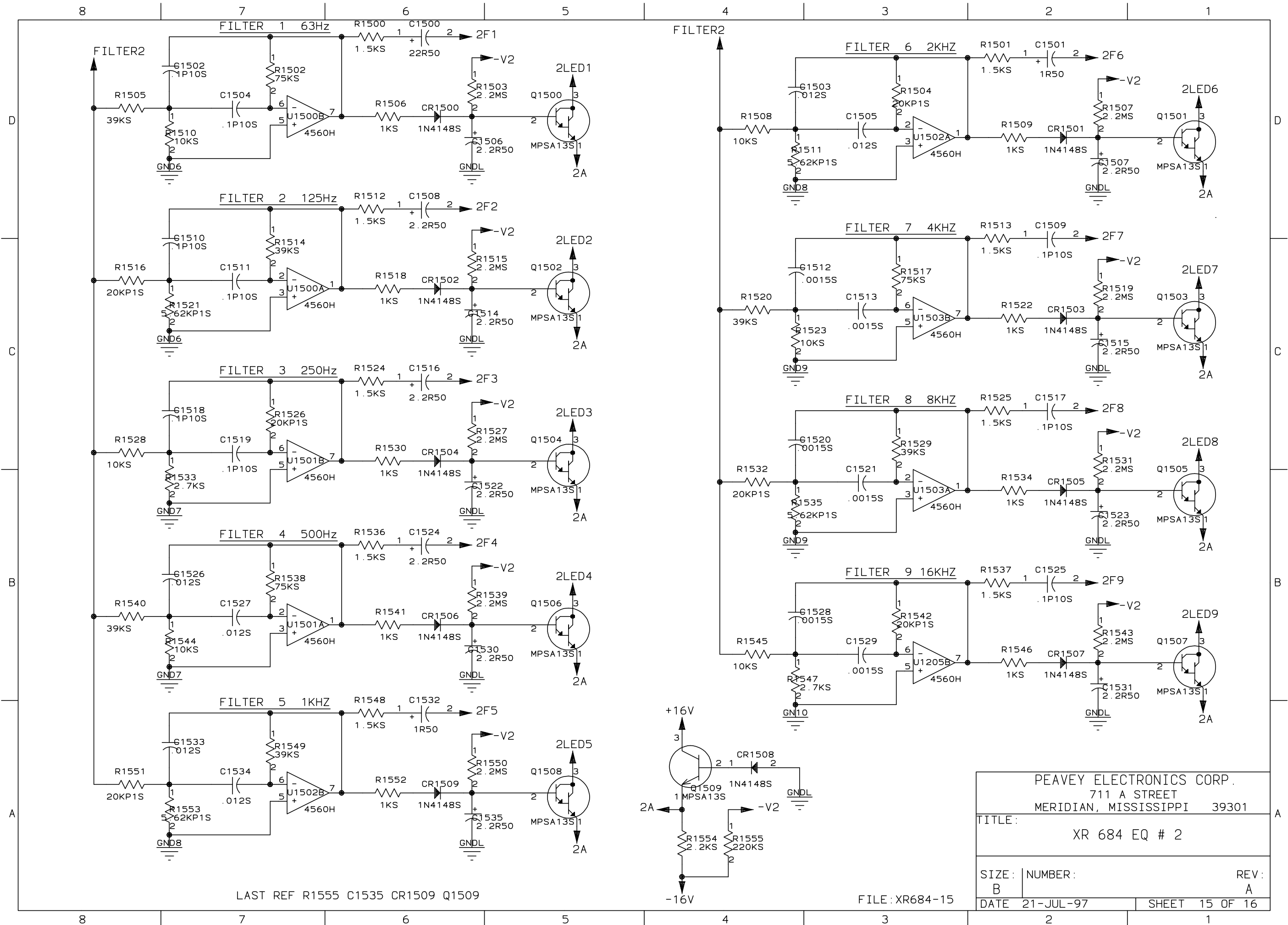
FILE: XR684-13



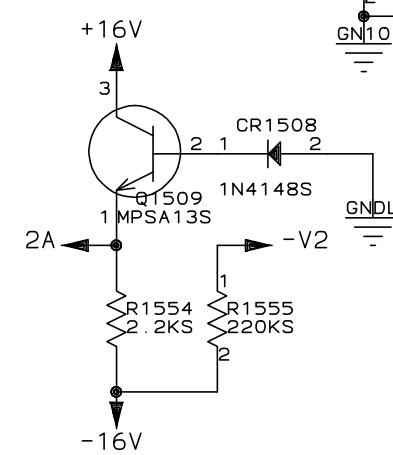
LAST REF R1455 C1435 CR1409 Q1409

FILE: XR684-14

PEAVEY ELECTRONICS CORP. 711 A STREET MERIDIAN, MISSISSIPPI 39301		
TITLE: XR 684 EQ # 1		
SIZE: B	NUMBER:	REV: A
DATE 21-JUL-97	SHEET 14 OF 16	

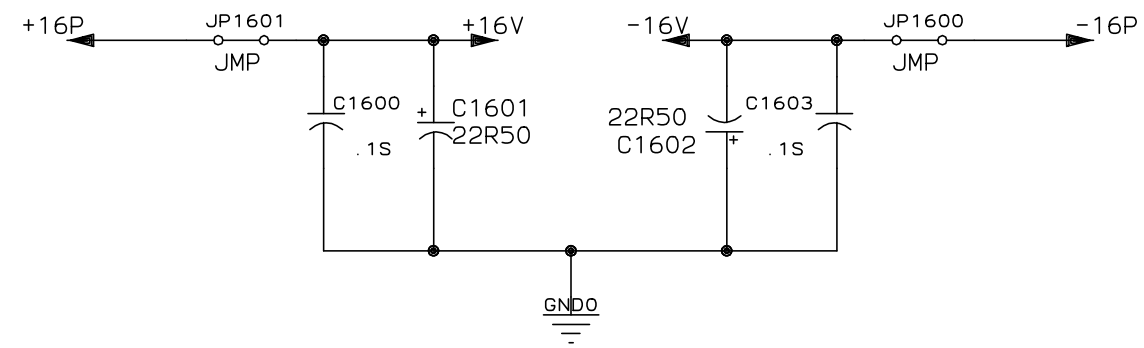
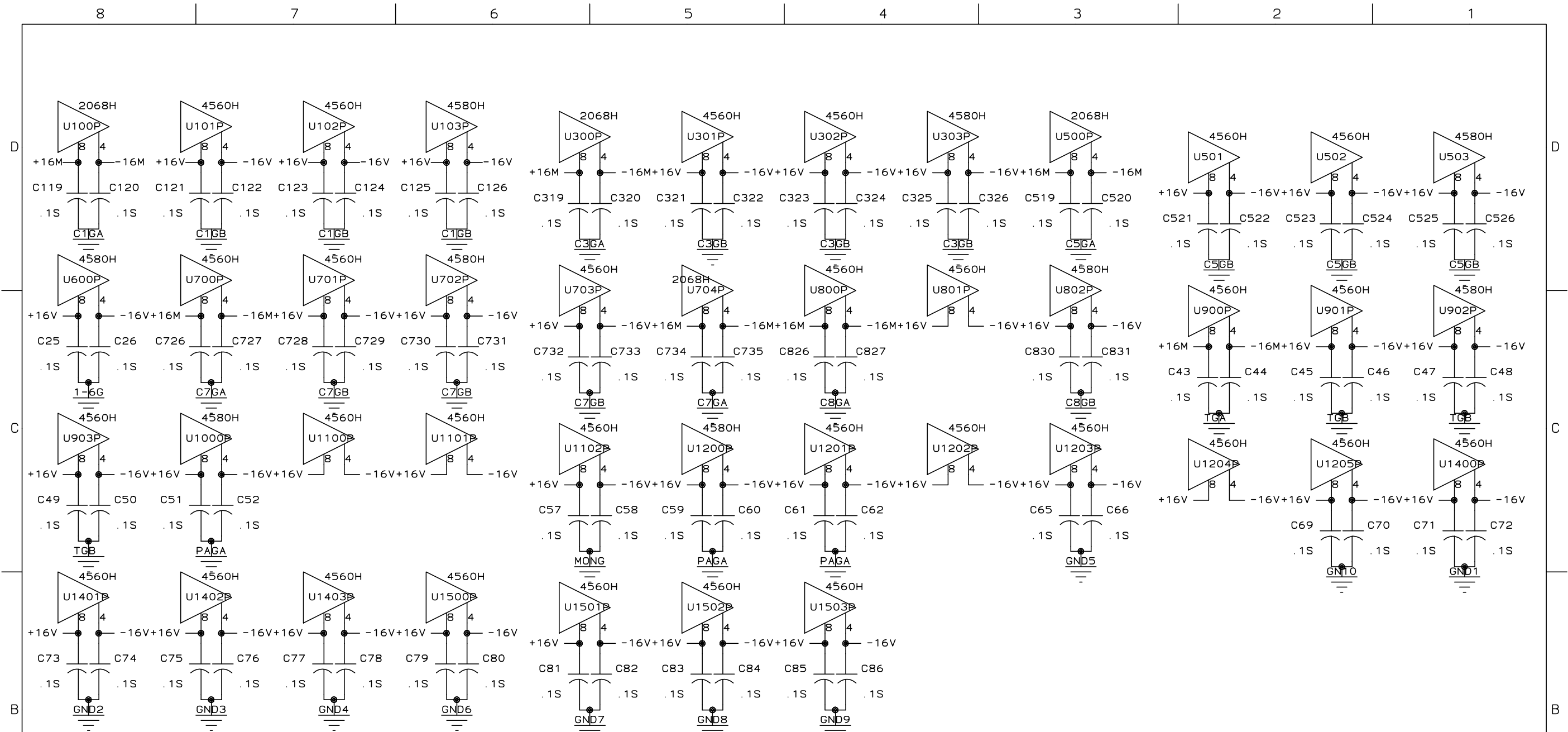


LAST REF R1555 C1535 CR1509 Q1509



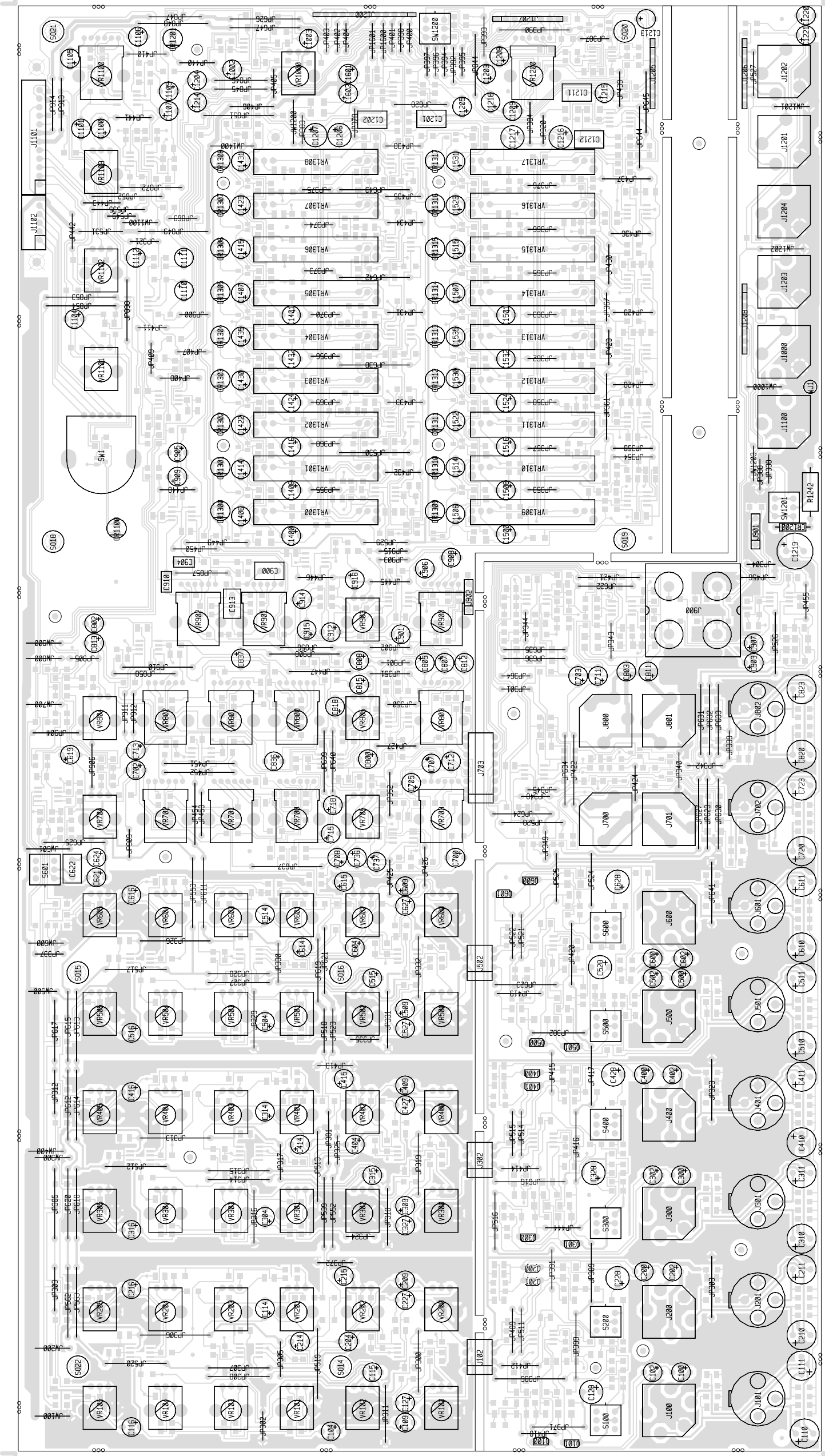
FILE:XR684-15

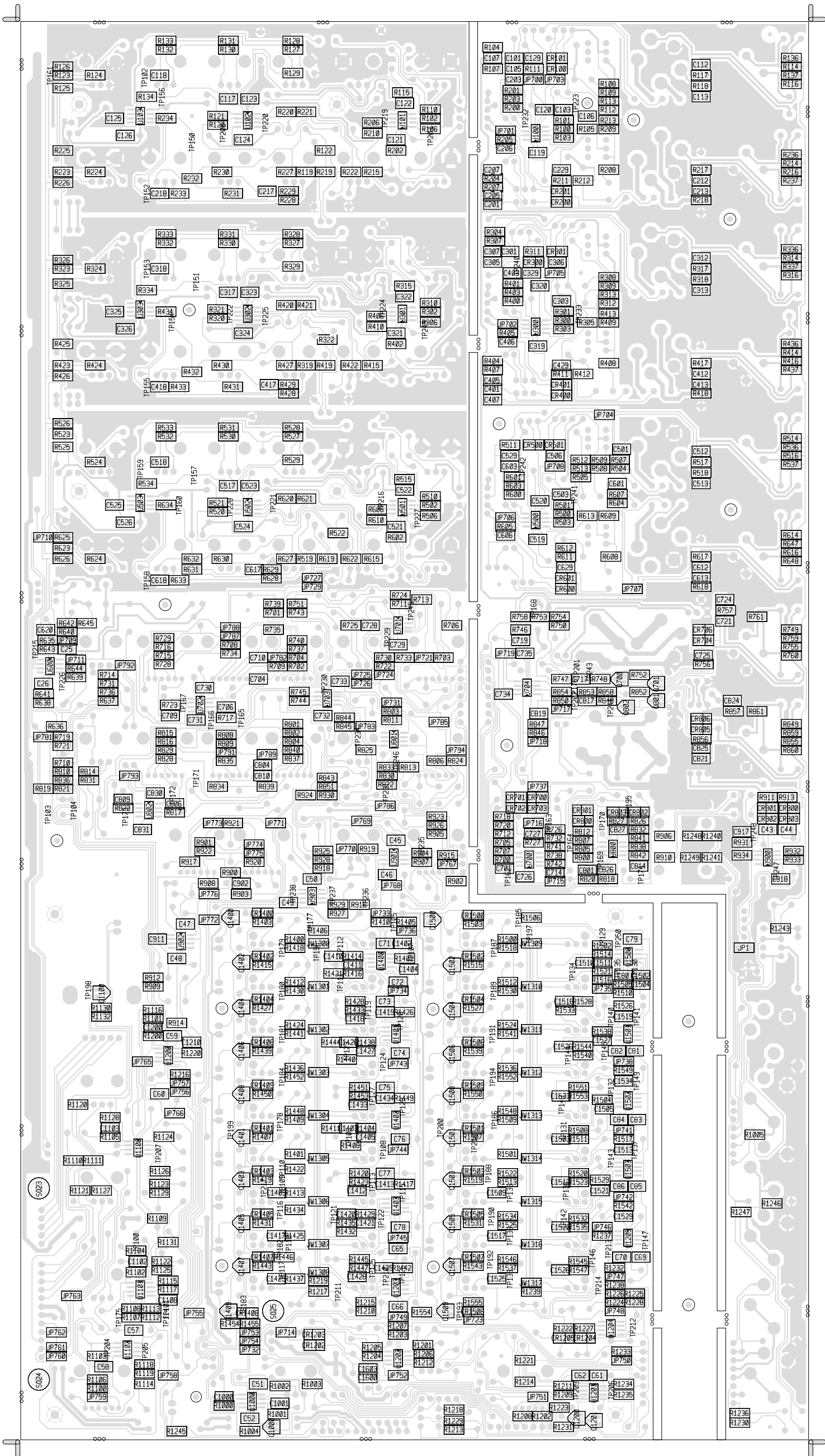
PEAVEY ELECTRONICS CORP. 711 A STREET MERIDIAN, MISSISSIPPI 39301		
TITLE: XR 684 EQ # 2		
SIZE: B	NUMBER:	REV: A
DATE 21-JUL-97	SHEET 15 OF 16	



PEAVEY ELECTRONICS CORP. 711 A STREET MERIDIAN, MISSISSIPPI 39301		
TITLE: XR 684 OP-AMP POWER		
SIZE: B	NUMBER:	REV: A
DATE 5-DEC-97	SHEET 16 OF 16	

XR 684 PRE-AMP
(primary side)





XR 684 PRE-AMP
(secondary side)

BILL OF MATERIALS REPORT

BOARD NAME: XR684 PREAMP REPORT DATE: 26JUN98
ASSEMBLY LEVEL NUMBER: 99571482
PROJECT NUMBER: P9500238

CBDS

PART PART DESCRIPTION AND

** QTY. NAME VALUE NUMBER DEVICE DESIGNATIONS *****

- 1 98871482 98871482 ECN00189 PCB
- 12 .0015S .0015 70300037 .0015MF X7R 50V 10% SMT 1206
C1412, C1413, C1420, C1421, C1428,
C1429, C1512, C1513, C1520, C1521,
C1528, C1529
- 2 .0018M .0018M 70330127 .0018M 5% 50vdc my T&A
C904, C910
- 16 .001S .001 70300036 .001MF X7R 50V 10% SMT 1206
C112, C113, C212, C213, C312, C313,
C412, C413, C512, C513, C612, C613,
C724, C725, C824, C825
- 12 .012S .012 70300074 .012UF--X7R--100V--5%--SMT1206
C1403, C1405, C1426, C1427, C1433,
C1434, C1503, C1505, C1526, C1527,
C1533, C1534
- 6 .068M .068M 70330124 .068M 5% 50vdc my T&A
C900, C913, C1201, C1202, C1211, C1212
- 18 .1P10S .1p10 70300028 .1mfd x7r 50v 10% 1206
C1402, C1404, C1409, C1410, C1411,
C1417, C1418, C1419, C1425, C1502,
C1504, C1509, C1510, C1511, C1517,
C1518, C1519, C1525
- 78 .1S .1 70300035 .1MF Z5U 50V 20% SMT 1206
C25, C26, C43, C44, C45, C46, C47, C48,
C49, C50, C51, C52, C57, C58, C59, C60,
C61, C62, C65, C66, C69, C70, C71, C72,
C73, C74, C75, C76, C77, C78, C79, C80,
C81, C82, C83, C84, C85, C86, C119,
C120, C121, C122, C123, C124, C125,
C126, C319, C320, C321, C322, C323,
C324, C325, C326, C519, C520, C521,
C522, C523, C524, C525, C526, C726,
C727, C728, C729, C730, C731, C732,
C733, C734, C735, C826, C827, C830,
C831, C1600, C1603
- 1 .22M .22M 70330128 .22M 5% 50vdc my T&A
C622
- 16 1.1KP1S 1.1K 70200069 1.1K--1/8W--1%---SMT 1206
R117, R118, R217, R218, R317, R318,
R417, R418, R517, R518, R617, R618,
R756, R757, R856, R857

20 1.5KS 1.5K 70200020 1.5K--1/8W--5%---smt
R1127, R1128, R1400, R1401, R1412,
R1413, R1424, R1425, R1436, R1437,
R1448, R1500, R1501, R1512, R1513,
R1524, R1525, R1536, R1537, R1548

21 1.6KS 1.6K 70200082 1.6K---1/8W--5%---SMT 1206
R110, R121, R210, R221, R310, R321,
R410, R421, R510, R521, R610, R621,
R713, R722, R745, R813, R822, R845,
R907, R916, R929

32 100KS 100K 70200034 100K---1/8W--5%---SM
R109, R129, R134, R209, R229, R234,
R309, R329, R334, R409, R429, R434,
R509, R529, R534, R609, R629, R634,
R638, R640, R642, R704, R717, R723,
R737, R804, R817, R823, R837, R905,
R918, R928

18 100PFS 100PF 70300044 100PF COG 50V 5% SMT 1206
C101, C105, C107, C201, C205, C207,
C301, C305, C307, C401, C405, C407,
C501, C601, C721, C821, C917, C918

38 100S 100 70200013 100---1/8w--5%---smt
R122, R125, R126, R222, R225, R226,
R322, R325, R326, R422, R425, R426,
R522, R525, R526, R622, R625, R626,
R641, R643, R719, R721, R751, R819,
R821, R851, R912, R930, R1004, R1005,
R1107, R1108, R1109, R1111, R1112,
R1113, R1131, R1216

1 100W1 100W1 70210003 100---1W---5%---MO--T&R
R1242

71 10KS 10K 70200028 10K--1/8W--5%---SMT
R119, R123, R124, R219, R223, R224,
R319, R323, R324, R419, R423, R424,
R519, R523, R524, R619, R623, R624,
R635, R636, R637, R710, R736, R743,
R810, R836, R843, R906, R909, R910,
R911, R913, R914, R924, R931, R932,
R933, R934, R1000, R1101, R1102, R1104,
R1105, R1106, R1114, R1115, R1116,
R1117, R1124, R1129, R1200, R1210,
R1215, R1220, R1232, R1237, R1240,
R1241, R1243, R1408, R1410, R1423,
R1428, R1444, R1445, R1508, R1510,
R1523, R1528, R1544, R1545

2 10PFS 10PF 70300010 10PF COG 50V 5% SMT 1206
C719, C819

4 10S 10 70200011 10---1/8w--5%---smt
R1217, R1219, R1238, R1239

2 12KS 12K 70200029 12K--1/8W--5%---SMT
R639, R644

32 13.7KP1S 13.7KP1 70200106 13.7K 1/8W--1%---SMT 1206

R114, R116, R136, R137, R214, R216,
R236, R237, R314, R316, R336, R337,
R414, R416, R436, R437, R514, R516,
R536, R537, R614, R616, R647, R648,
R749, R755, R759, R760, R849, R855,
R859, R860

8 15MSOW 70901837 70901837 SPACER, 15mm-r(#4) .187 swage alum.

SO14, SO15, SO16, SO18, SO19,
SO20, SO21, SO22

12 1740 1740 70401740 2SC1740SLN 40V,.1A, NPN, LOW NOISE T&A

Q100, Q101, Q200, Q201, Q300, Q301,
Q400, Q401, Q500, Q501, Q600, Q601

12 180PFS 180PF 70300054 180PF----SURFACE MNT--1206 PACK

C106, C129, C206, C229, C306, C329,
C406, C429, C506, C529, C606, C629

15 18KS 18K 70200030 18K--1/8W--5%---SMT

R707, R712, R714, R731, R732, R738,
R807, R812, R814, R831, R832, R838,
R902, R915, R925

31 1KS 1K 70200019 1k---1/8w--5%---smt

R103, R203, R303, R403, R503, R603,
R748, R848, R1130, R1214, R1221, R1230,
R1236, R1406, R1409, R1418, R1422,
R1430, R1434, R1441, R1446, R1452,
R1506, R1509, R1518, R1522, R1530,
R1534, R1541, R1546, R1552

1 1N4148 4148 70464148 1N4148 75V 10MA SILICON DIODE

CR1200

52 1N4148S 4148 70418026 1N4148 (LL34) DIODE SMT

CR100, CR101, CR200, CR201, CR300,
CR301, CR400, CR401, CR500, CR501,
CR600, CR601, CR700, CR701, CR702,
CR703, CR704, CR706, CR800, CR801,
CR802, CR803, CR805, CR806, CR900,
CR901, CR902, CR903, CR1202, CR1203,
CR1204, CR1205, CR1400, CR1401, CR1402,
CR1403, CR1404, CR1405, CR1406, CR1407,
CR1408, CR1409, CR1500, CR1501, CR1502,
CR1503, CR1504, CR1505, CR1506, CR1507,
CR1508, CR1509

4 1R50 1R50 70320261 1MF 20% 50 VDC EL T&A

C1401, C1432, C1501, C1532

16 2.15KP1S 2.15KP1 70200078 2.15k-1/8W--1%---smt

R100, R101, R200, R201, R300, R301,
R400, R401, R500, R501, R600, R601,
R746, R747, R846, R847

37 2.2KS 2.2K 70200021 2.2K---1/8W--5%---smt

R130, R131, R230, R231, R330, R331,
R430, R431, R530, R531, R630, R631,
R706, R708, R709, R724, R734, R735,
R761, R806, R808, R809, R824, R834,
R835, R861, R923, R926, R1122, R1125,
R1201, R1203, R1222, R1224, R1245,
R1454, R1554

18 2.2MS 2.2M 70200037 2.2M--1/8W--5%---SMT

R1403, R1407, R1415, R1419, R1427,
R1431, R1439, R1443, R1450, R1503,
R1507, R1515, R1519, R1527, R1531,
R1539, R1543, R1550

25 2.2R50 2.2R50 70320180 2.2MF-----20%----50VDC---EL--T&A

C624, C1406, C1407, C1408, C1414, C1415,
C1416, C1422, C1423, C1424, C1430,
C1431, C1435, C1506, C1507, C1508,
C1514, C1515, C1516, C1522, C1523,
C1524, C1530, C1531, C1535

6 2.7KS 2.7K 70200061 2.7K---1/8w--5%---smt

R1120, R1121, R1433, R1447, R1533, R1547

4 2068H 2068 70418150 NJM2068 LOW NOISE DUAL OP AMP-SMT

U100, U300, U500, U704

12 20KP1S 20kp1 70200059 20k---1/8W--1%---SMT

R1404, R1416, R1426, R1432, R1442,
R1451, R1504, R1516, R1526, R1532,
R1542, R1551

2 220KS 220K 70200044 220K--1/8W--5%---SMT

R1455, R1555

1 220R50 220R50 70320187 220MF-----20%----50VDC---EL--T&A

C1219

8 220S 220 70200016 220---1/8w--5%---smt

R108, R208, R308, R408, R508, R608,
R752, R852

59 22KS 22K 70200031 22K--1/8W--5%---SMT

R102, R106, R115, R120, R202, R206,
R215, R220, R302, R306, R315, R320,
R402, R406, R415, R420, R502, R506,
R515, R520, R602, R606, R615, R620,
R700, R703, R705, R711, R718, R720,
R725, R726, R727, R730, R733, R741,
R742, R744, R800, R803, R805, R811,
R818, R820, R825, R826, R827, R830,
R833, R841, R842, R844, R904, R919,
R927, R1002, R1100, R1119, R1123

4 22PFS 22PF 70300011 22PF COG 50V 5% SMT 1206

C701, C714, C801, C814

114 22R50 22R50 70320181 22MF-----20%----50VDC---EL--T&A

C100, C102, C104, C109, C114, C115,

C116, C127, C200, C202, C204, C209,
C214, C215, C216, C227, C300, C302,
C304, C309, C314, C315, C316, C327,
C400, C402, C404, C409, C414, C415,
C416, C427, C500, C502, C504, C509,
C514, C515, C516, C527, C600, C602,
C604, C609, C614, C615, C616, C619,
C621, C627, C700, C702, C703, C705,
C707, C708, C711, C712, C713, C715,
C718, C736, C737, C800, C802, C803,
C805, C807, C808, C811, C812, C813,
C815, C818, C836, C837, C901, C903,
C905, C906, C907, C908, C909, C912,
C914, C915, C916, C1002, C1003, C1100,
C1101, C1104, C1105, C1106, C1107,
C1109, C1110, C1111, C1112, C1203,
C1204, C1205, C1208, C1209, C1213,
C1214, C1215, C1218, C1220, C1221,
C1400, C1500, C1601, C1602

2 26.7KP1S 26.7K 70200067 26.7K--1/8W--1%---SMT 1206

R1202, R1223

2 270PFS 270pf 70300052 270pf 50wvdc 10% xr7 1206

C1200, C1210

5 2N3919S 3919 70418034 2N3919 NPN (SOT-23) XSISTOR SMT

Q700, Q701, Q801, Q802, Q1100

16 3.32KP1S 3.32KP1 70200105 3.32K 1/8W--1%---SMT 1206

R112, R113, R212, R213, R312, R313,
R412, R413, R512, R513, R612, R613,
R753, R754, R853, R854

3 3.3KS 3.3K 70200023 3.3K--1/8W--5%---smt

R645, R1248, R1249

8 330PFSN 330PF 70300056 330PF NPO 100V 5% SMT 1206

C103, C203, C303, C403, C503, C603,
C717, C817

5 33KS 33K 70200063 33K--1/8W--5%----SM

R1103, R1118, R1126, R1209, R1235

3 375SOW 70900295 70900295 SPACER, 3/8,R(#4),.187 SWAGE ALUM.

SO23, SO24, SO25,

16 39KS 39K 70200091 39K---1/8W--5%---SMT 1206

R504, R507, R604, R607, R1405, R1414,
R1420, R1429, R1440, R1449, R1505,
R1514, R1520, R1529, R1540, R1549

8 39PFS 39PF 70300012 39PF COG 50V 5% SMT 1206

C620, C902, C911, C1000, C1001, C1102,
C1103, C1108

8 4.7KS 4.7K 70200025 4.7K--1/8W--5%---smt

R1204, R1205, R1206, R1207, R1225,
R1226, R1227, R1228

16 4.99KP1S 4.99kp1 70200049 4.99k--1/8W--1%---SMT
R105, R111, R205, R211, R305, R311,
R405, R411, R505, R511, R605, R611,
R750, R758, R850, R858

30 4560H 4560 70418053 4560 DL OP AMP SOIC-8
U101, U102, U301, U302, U501, U502,
U700, U701, U703, U800, U801, U900,
U901, U903, U1100, U1101, U1102, U1201,
U1202, U1203, U1204, U1205, U1400,
U1401, U1402, U1403, U1500, U1501,
U1502, U1503

9 4580H 4580 70418158 4580 LOW NOISE DL OP AMP SOIC-8
U103, U303, U503, U600, U702, U802,
U902, U1000, U1200

10 470R6.3 470R6.3 70320183 470MF-----20%----6.3VDC--EL--T&A
C128, C228, C328, C428, C528, C628,
C1206, C1207, C1216, C1217

20 47KS 47K 70200032 47K---1/8W--5%---SMT
R104, R107, R204, R207, R304, R307,
R404, R407, R1003, R1110, R1132, R1208,
R1212, R1213, R1218, R1229, R1231,
R1233, R1246, R1247

16 47V50 47V50 70320182 47MF-----20%----50VDC---LL--T&A
C110, C111, C210, C211, C310, C311,
C410, C411, C510, C511, C610, C611,
C720, C723, C820, C823

2 4PRC6J2 4PRC6J2 70600049 4C PRE-TIN .100 CTR 6" JUMPER (SPLIT VERSION)
J901, J902

3 4PRCJ 4PRCJ 70600024 4 CON. RIBBON CABLE .100 CTR 2.25" JUMPER
J102, J302, J502

8 5.62KP1S 5.62KP1 70200118 5.62K--1/8W--1%---SMT
R1411, R1421, R1435, R1453, R1511,
R1521, R1535, R1553

46 6.8KS 6.8K 70200026 6.8K--1/8W--5%---SMT
R127, R128, R132, R133, R227, R228,
R232, R233, R327, R328, R332, R333,
R427, R428, R432, R433, R527, R528,
R532, R533, R627, R628, R632, R633,
R701, R702, R715, R716, R728, R729,
R739, R740, R801, R802, R815, R816,
R828, R829, R839, R840, R900, R901,
R908, R917, R921, R922

10 6800PFS 6800PF 70300046 6800PF X7R 50V 5% SMT 1206
C117, C217, C317, C417, C517, C617,
C704, C710, C804, C810

10 680PFS 680PF 70300016 680PF---COG-50V---5%---SMT--1206 PACK

C118, C218, C318, C418, C518, C618,
C706, C709, C806, C809

- 1 68KS 68K 70200033 68K--1/8W--5%---SMT
R1001
- 6 75KS 75K 70200092 75K---1/8W--5%---SMT 1206
R1402, R1417, R1438, R1502, R1517, R1538
- 4 8.2KS 8.2K 70200042 8.2K--1/8W--5%---SMT
R903, R920, R1211, R1234
- 2 8PRC9J2 8PRC9J2 70600063 8C PRE-TIN .100 CTR 9" JUMPER (SPLIT VERSION)
J1207, J1208
- 1 8PRCJ 8PRCJ 70600028 8C PRE-TIN .100 CTR 2.5" JUMPER
J703
- 2 8PRCJ2 70600028 70600028 8C PRE-TIN .100 CTR 2.5" JMP (SPLIT VERSION)
J1205, J1206
- 1 BISW2316 BISW2316 71322316 BINARY ROTARY SWITCH
SW1
- 1 CAB084 70600084 70600084 12C RIBBON CABLE ASSM 18"
J1200
- 8 FXLR 71466218 71466218 MACH INSERT FEMALE XLR CON
J101, J201, J301, J401, J501, J601,
J702, J802
- 10 HIDMNI 71466214 71466214 2 TIP HID JACK NINS W/SPD
J700, J701, J800, J801, J1000, J1100,
J1201, J1202, J1203, J1204
- 6 HIDSNI 71466217 71466217 STEREO HID JACK NINS W/SPD
J100, J200, J300, J400, J500, J600
- 3 J111S J111 70418138 J111 N-CH JFET SOT23-SMT
Q1000, Q1200, Q1201
- 109 J325 J 70600005 22GA JUMPER WIRES T&R
JP300, JP301, JP302, JP303, JP304,
JP305, JP306, JP307, JP308, JP309,
JP311, JP312, JP313, JP314,
JP315, JP316, JP317, JP318, JP319,
JP320, JP321, JP323, JP324,
JP325, JP326, JP327, JP328, JP329,
JP330, JP331, JP332,
JP335, JP337, JP338, JP339,
JP340, JP342, JP343, JP344,
JP345, JP348, JP349,
JP350, JP351, JP352, JP353, JP354,
JP355, JP356, JP357, JP358, JP359,
JP361, JP362, JP363, JP364, JP365,
JP366, JP367, JP368, JP369, JP370,

JP373, JP374, JP375, JP376,
JP378, JP383, JP384, JP387, JP390,
JP392, JP393, JP394, JP395, JP396,
JP397, JP398, JP400, JP401, JP402,
JP403, JP404, JP405, JP406, JP407,
JP408, JP409, JP410, JP411, JP549,
JP869, JP872, JP898, JP900, JP901,
JP902, JP903, JP904, JP905, JP906,
JP908, JP909, JP910, JP911, JP912,
JP913, JP914, JP915,

50 J4 J 70600005 22GA JUMPER WIRES T&R

JP372, JP388, JP389, JP391, JP399,
JP412, JP413, JP414, JP415, JP416,
JP417, JP418, JP419, JP420, JP421,
JP422, JP423, JP424, JP425, JP426,
JP427, JP428, JP429, JP430, JP431,
JP432, JP433, JP434, JP435, JP436,
JP437, JP438, JP439, JP440, JP441,
JP442, JP443, JP444, JP445, JP446,
JP447, JP448, JP449, JP450, JP451,
JP452, JP453, JP454, JP455, JP456,

22 J5 J 70600005 22GA JUMPER WIRES T&R

JP489, JP511, JP512, JP513, JP514,
JP515, JP516, JP517, JP518, JP519,
JP520, JP521, JP522, JP523, JP525,
JP526, JP527, JP528, JP529, JP530,
JP531, JP535,

22 J6 J 70600005 22GA JUMPER WIRES T&R

JP371, JP381, JP382, JP524,
JP622, JP624, JP626, JP628,
JP641, JP844, JP845, JP846, JP847,
JP848, JP849, JP851, JP852, JP853,
JP854, JP856, JP857, JP858,

30 J7 J 70600005 22GA JUMPER WIRES T&R

JP385, JP539, JP552, JP553, JP611,
JP613, JP615, JP617, JP619, JP621,
JP623, JP625, JP627, JP629, JP630,
JP631, JP632, JP633, JP634, JP635,
JP636, JP637, JP638, JP639, JP640,
JP642, JP643, JP644, JP645, JP647

8 J8 J 70600005 22GA JUMPER WIRES T&R

JP386, JP562, JP563, JP612, JP614,
JP616, JP618, JP620

19 JMP JMP 70600005 22 GA. JUMPER WIRE T&R

JP1600, JP1601, JW100, JW200, JW300,
JW400, JW500, JW600, JW601, JW700,
JW800, JW900, JW1000, JW1100, JW1200,
JW1201, JW1202, JW1203, JW1400

99 JMPS JMP 70200010 0.0---1/8w--5%---smt

JP1, JP700, JP701, JP702, JP703, JP704,
JP705, JP706, JP707, JP708, JP709,
JP710, JP711, JP714,
JP715, JP716, JP717, JP718, JP719,
JP721, JP723, JP724,
JP725, JP726, JP727, JP729,
JP731, JP732, JP733, JP734,

JP735, JP736, JP737, JP738,
JP741, JP742, JP743, JP744,
JP745, JP746, JP747, JP748, JP749,
JP750, JP751, JP752, JP753, JP754,
JP755, JP756, JP757, JP758, JP759,
JP760, JP761, JP762, JP763,
JP765, JP766, JP767, JP768, JP769,
JP770, JP771, JP772, JP773, JP774,
JP775, JP776,
JP781, JP782, JP783,
JP785, JP786, JP787, JP788, JP789,
JP791, JP792, JP793, JP794,

JW1300, JW1301, JW1302, JW1303, JW1304,
JW1305, JW1306, JW1307, JW1308, JW1309,
JW1310, JW1311, JW1312, JW1313, JW1314,
JW1315, JW1316, JW1317

1 LEDG6 LEDG6 70450051 LED, T-1, GRN, W/.500" SPCR - T&A

CR1201

19 LEDR6 LEDR6 70450050 LED, T-1, RED, W/.500" SPCR - T&A

CR1100, CR1300, CR1301, CR1302, CR1303,
CR1304, CR1305, CR1306, CR1307, CR1308,
CR1309, CR1310, CR1311, CR1312, CR1313,
CR1314, CR1315, CR1316, CR1317

20 MPSA13S MPSA13S 70418051 MMBTA13LTI NPN DARL. SMT

Q1400, Q1401, Q1402, Q1403, Q1404,
Q1405, Q1406, Q1407, Q1408, Q1409,
Q1500, Q1501, Q1502, Q1503, Q1504,
Q1505, Q1506, Q1507, Q1508, Q1509

2 POT0258 71190258 71190258 10K - STD - 9MM

VR1101, VR1102

43 POT0259 71190259 71190259 50KB - STD - 9MM - W/DTT

VR100, VR101, VR102, VR103, VR104,
VR105, VR200, VR201, VR202, VR203,
VR204, VR205, VR300, VR301, VR302,
VR303, VR304, VR305, VR400, VR401,
VR402, VR403, VR404, VR405, VR500,
VR501, VR502, VR503, VR504, VR505,
VR600, VR601, VR602, VR603, VR604,
VR605, VR704, VR705, VR804, VR805,
VR903, VR1000, VR1103

13 POT0716 POT0716 71190716 50KBX2 DUAL 12MM ROT POT W/DTT

VR700, VR701, VR702, VR703, VR800,
VR801, VR802, VR803, VR900, VR901,
VR902, VR1100, VR1200

1 RCA4N RCA4N 71466272 QUAD NICKEL RCA PHONO 24MM

J900

18 SPOT0123 71190123 71190123 50KW 20MM SLIDER W/DDT & TAP

VR1300, VR1301, VR1302, VR1303, VR1304,
VR1305, VR1306, VR1307, VR1308, VR1309,
VR1310, VR1311, VR1312, VR1313, VR1314,
VR1315, VR1316, VR1317

9 SW2356 71322356 71322356 DPDT PUSH BUTTON SW 2.8MM SQ SHAFT

S100, S200, S300, S400, S500, S600,

S601, SW1200, SW1201

150 TP

XXXXXXXXX XXXXXXXXX

TP100, TP101, TP102, TP103, TP104,
TP105, TP106, TP107, TP108, TP109,
TP110, TP111, TP112, TP113, TP114,
TP115, TP116, TP117, TP118, TP119,
TP120, TP121, TP122, TP123, TP124,
TP125, TP126, TP127, TP128, TP129,
TP130, TP131, TP132, TP133, TP134,
TP135, TP136, TP137, TP138, TP139,
TP140, TP141, TP142, TP143, TP144,
TP145, TP146, TP147, TP148, TP149,
TP150, TP151, TP152, TP153, TP154,
TP155, TP156, TP157, TP158, TP159,
TP160, TP161, TP162, TP163, TP164,
TP165, TP166, TP167, TP168, TP169,
TP170, TP171, TP172, TP173, TP174,
TP175, TP176, TP177, TP178, TP179,
TP180, TP181, TP182, TP183, TP184,
TP185, TP186, TP187, TP188, TP189,
TP190, TP191, TP192, TP193, TP194,
TP195, TP196, TP197, TP198, TP199,
TP200, TP201, TP202, TP203, TP204,
TP205, TP206, TP207, TP208, TP209,
TP210, TP211, TP212, TP213, TP214,
TP215, TP216, TP217, TP218, TP219,
TP220, TP221, TP222, TP223, TP224,
TP225, TP226, TP227, TP228, TP229,
TP230, TP231, TP232, TP233, TP234,
TP235, TP236, TP237, TP238,
TP240, TP241, TP242, TP243, TP244,
TP245, TP246, TP247, TP248, TP249,
TP250,

1 WJX

WJX

XXXXXXXXX XXXXXXXXX

WJ1

1 WTCNN12 73716713 73716713 12 PIN WIRE TRAP CONN .098" SPACING

J1101

1 WTCNN5 73716726 73716726 5 COND. WIRE TRAP CONN .098" SPACING

J1102

* END OF BILL OF MATERIALS REPORT *
