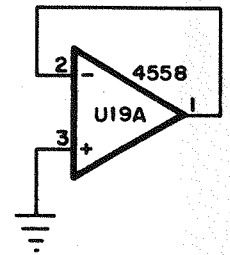
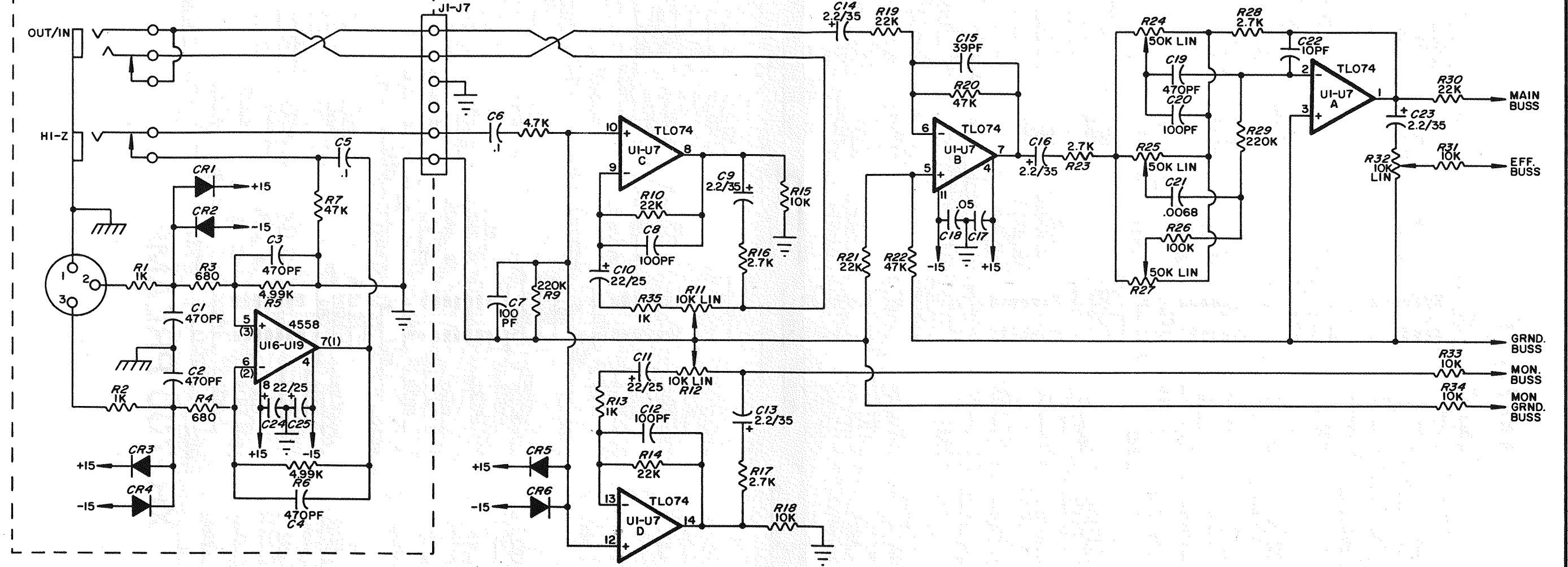


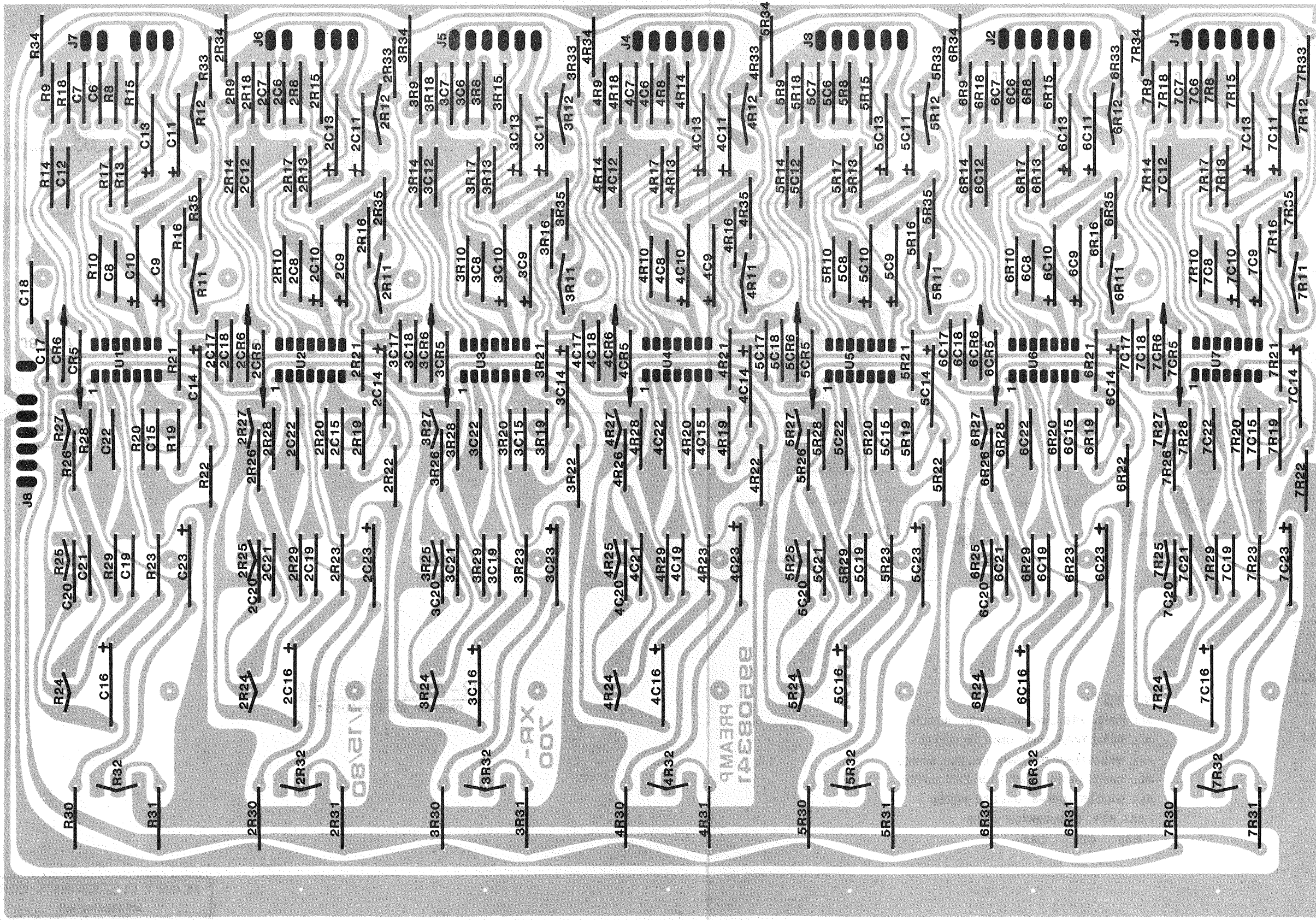
INPUT_OUTPUT_BD.# 99508342



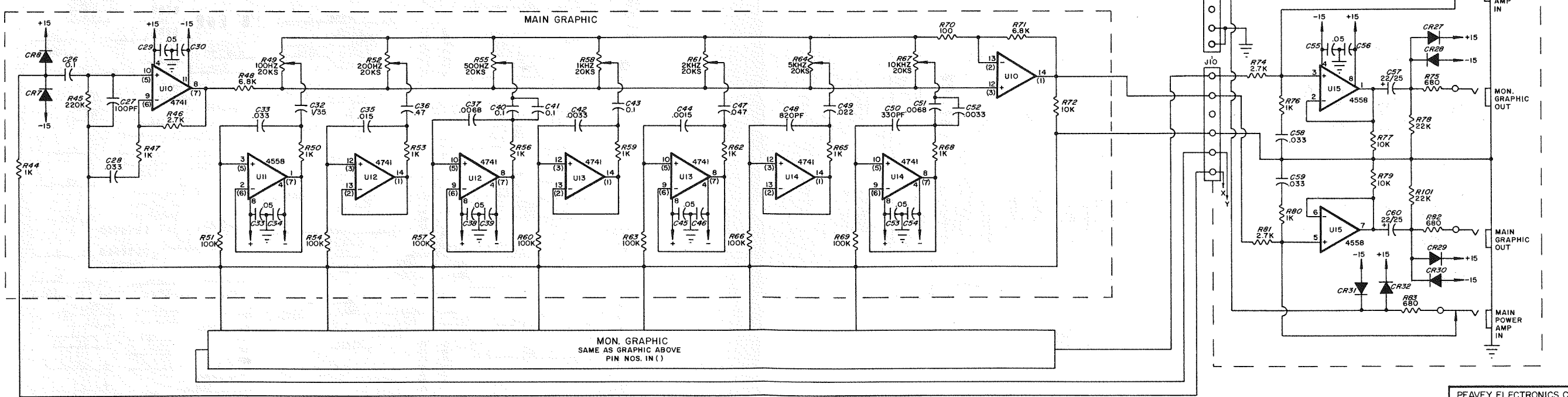
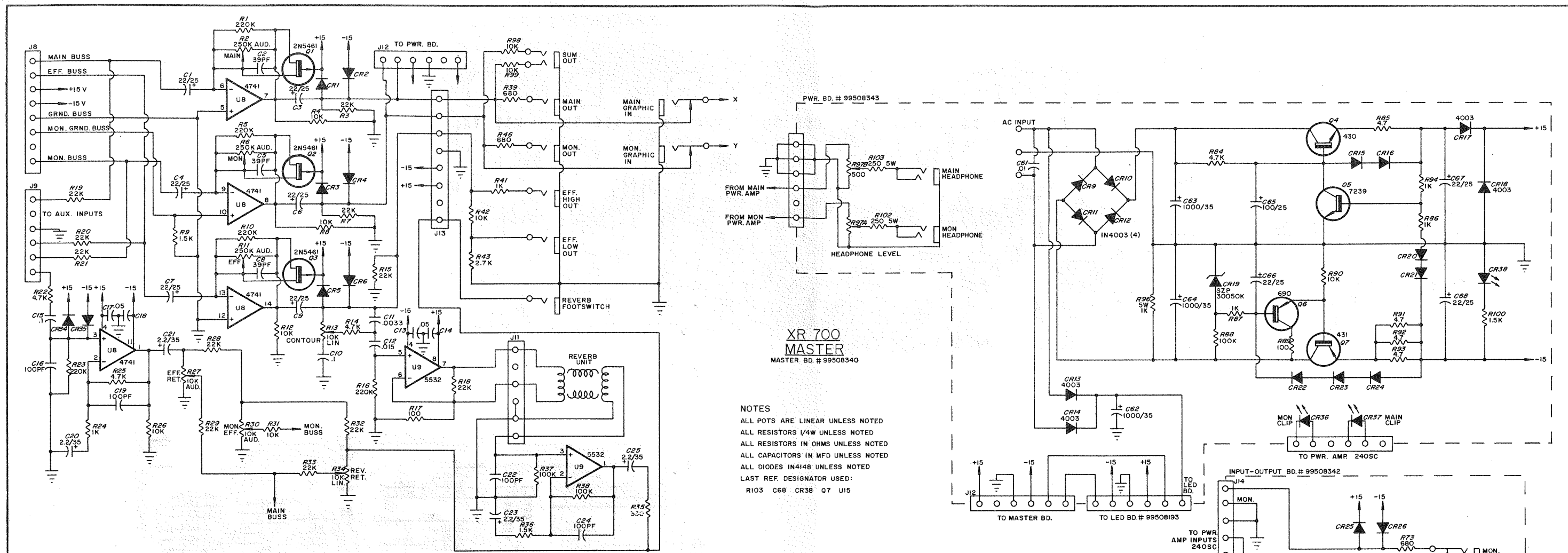
NOTES
 ALL POTS ARE LINEAR UNLESS NOTED
 ALL RESISTORS 1/4W UNLESS NOTED
 ALL RESISTORS IN OHMS UNLESS NOTED
 ALL CAPACITORS IN MFD UNLESS NOTED
 ALL DIODES IN4148 UNLESS NOTED
 LAST REF. DESIGNATOR USED:
 R35 C25 CR6

XR-700 PREAMP
 PREAMP BD. # 99508341

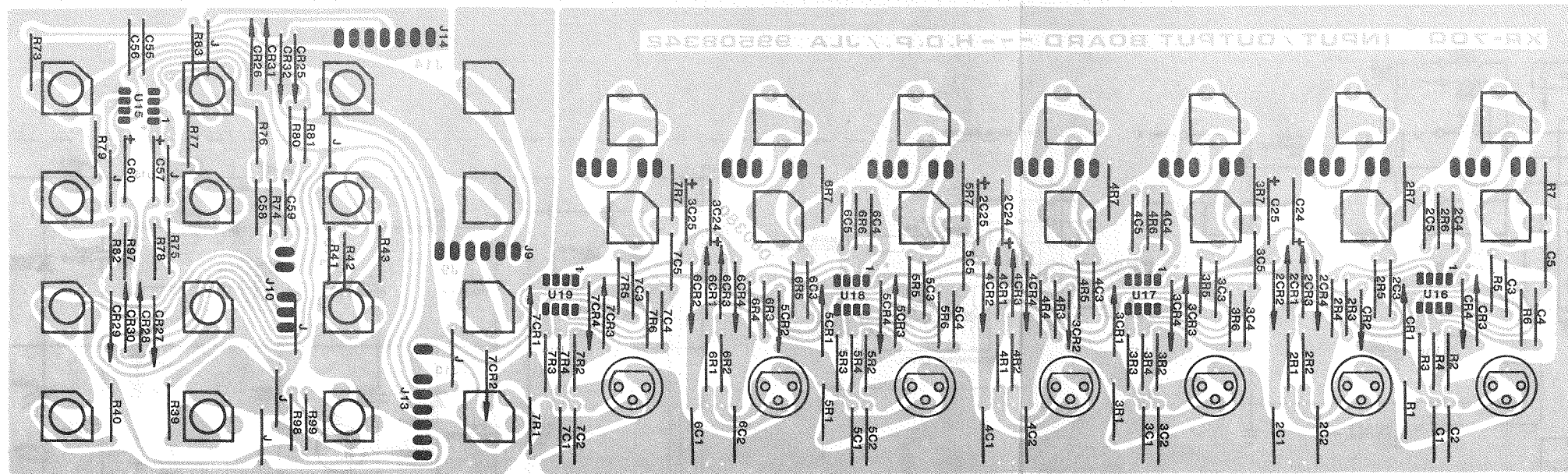
PEAVEY ELECTRONICS CORP.	
MERIDIAN, MS.	
DRAWN BY <i>RES</i>	DATE 6-9-80
C.B. CHECK <i>RES</i>	
CHECK BY <i>RAA</i>	
APPR. BY <i>JCL</i>	



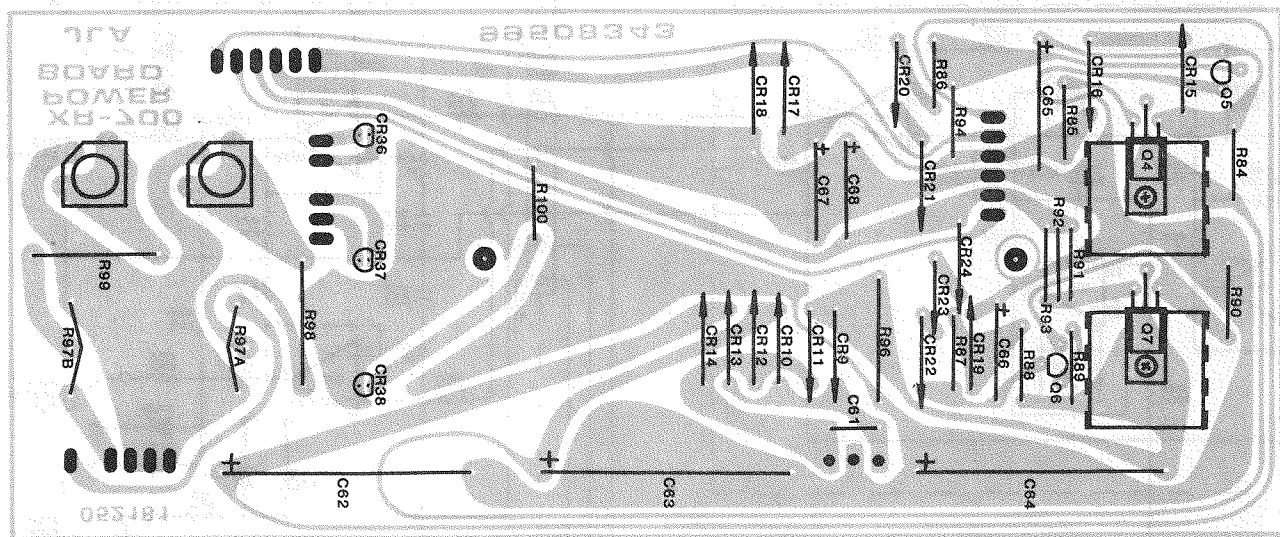
XR-700 PREAMP



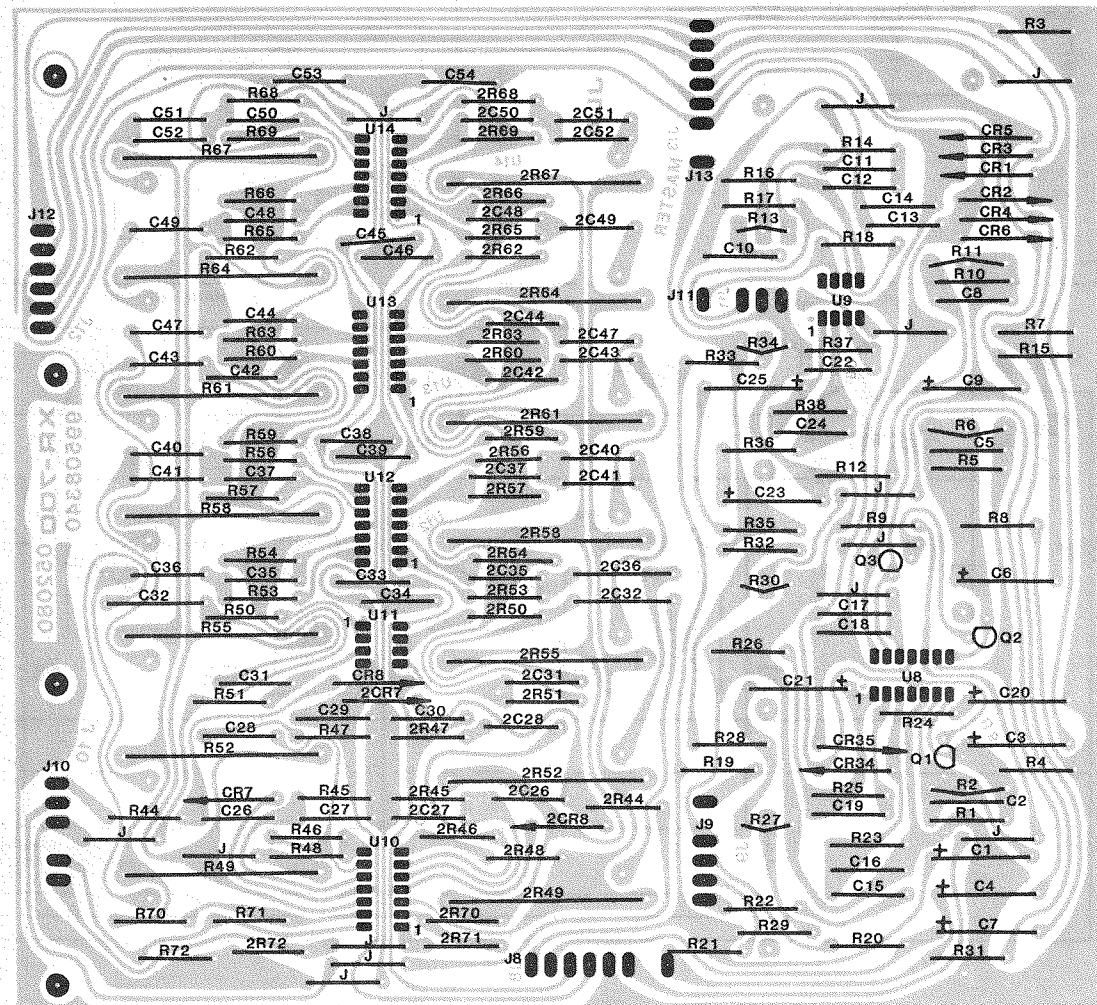
PEAVEY ELECTRONICS CORP.
 MERIDIAN, MS.
 DRAWN BY *KEA* DATE 6-3-80
 C.B. CHECK *KEA*
 CHECK BY *KEA*
 APPR. BY *KEA*



XR-700 INPUT-OUTPUT



XR-700 PWR. BD.



XR-700 MASTER