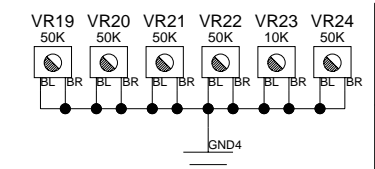
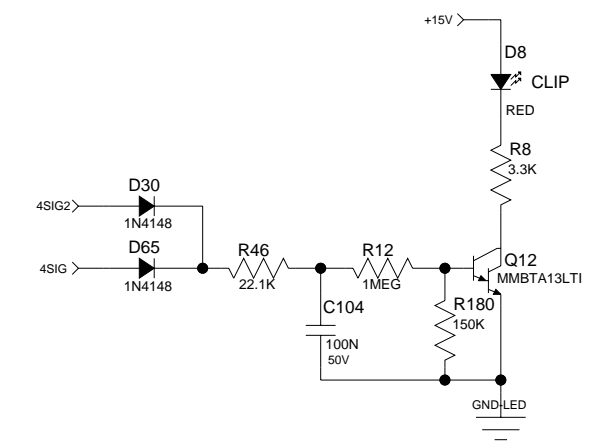
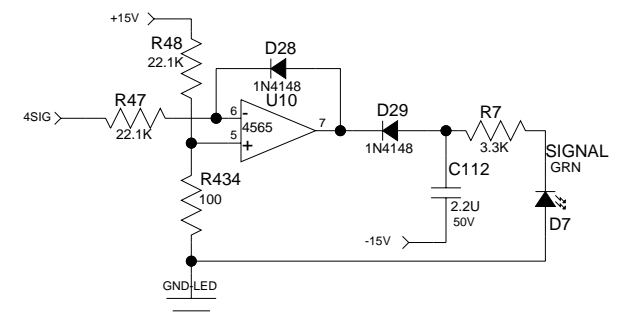
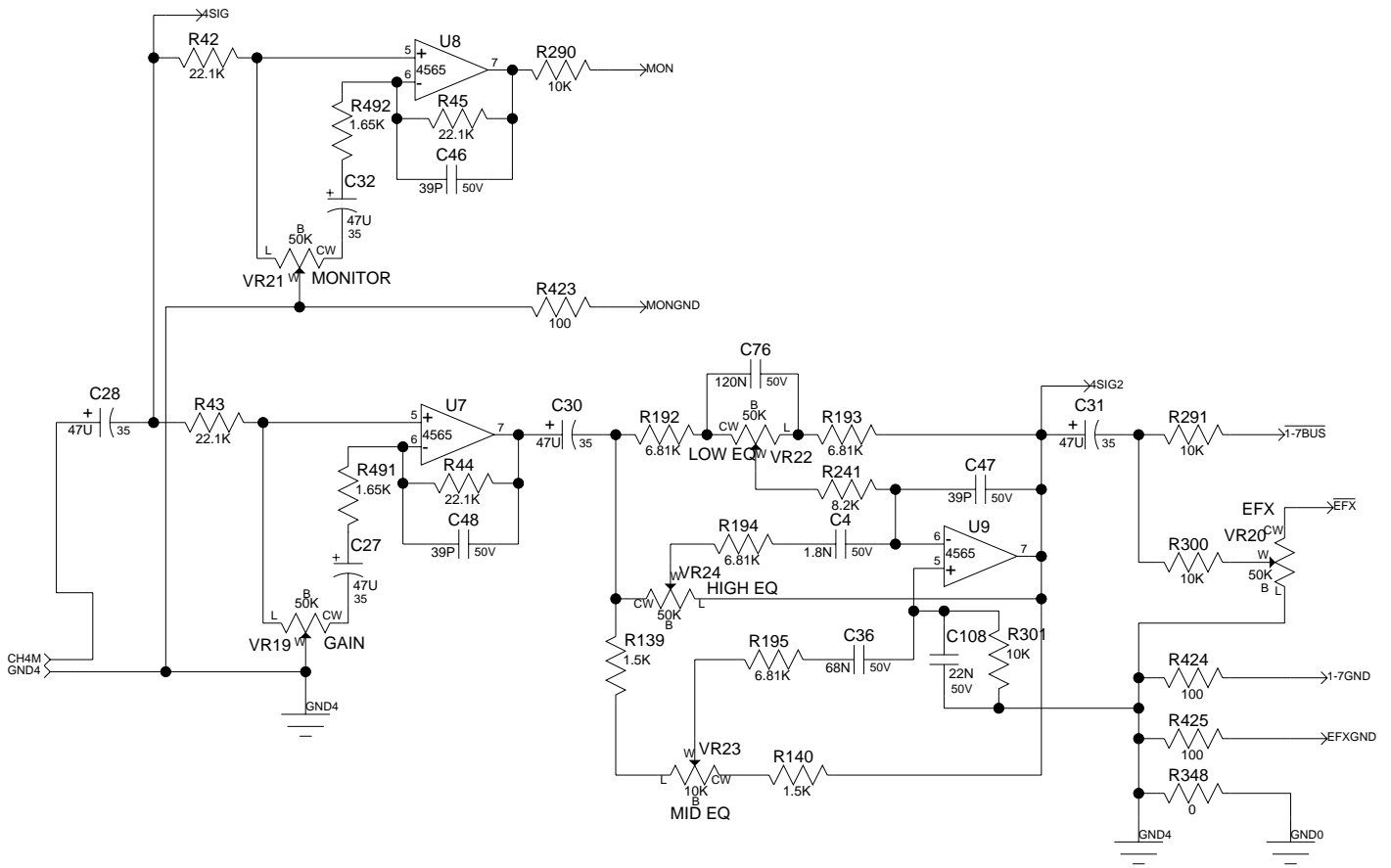
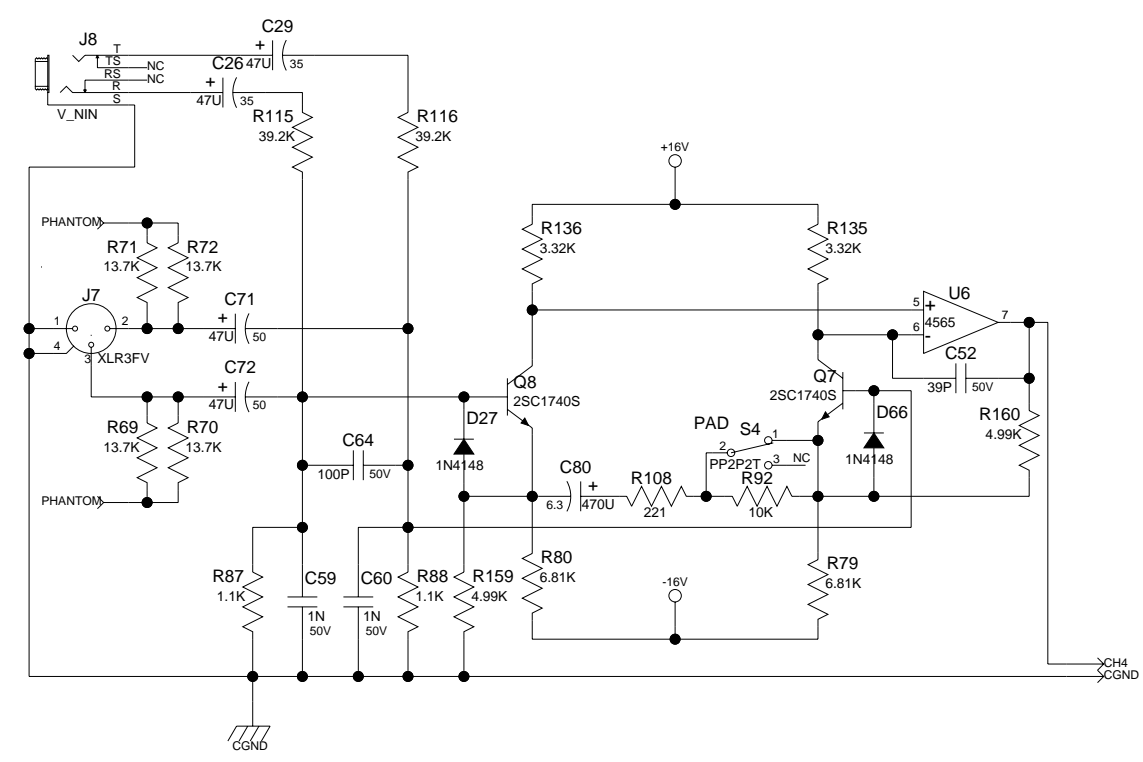
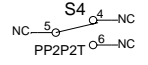


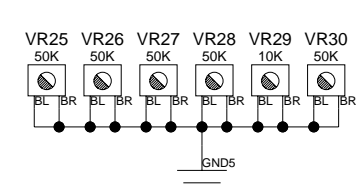
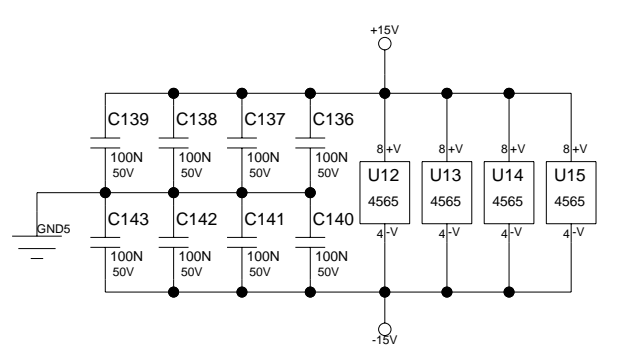
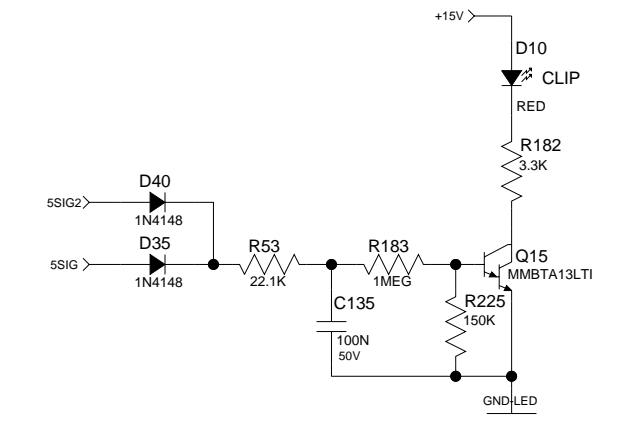
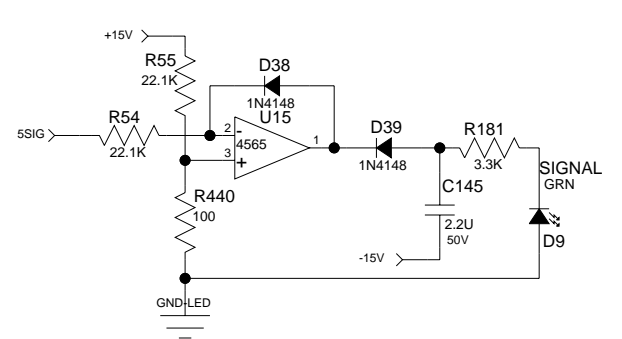
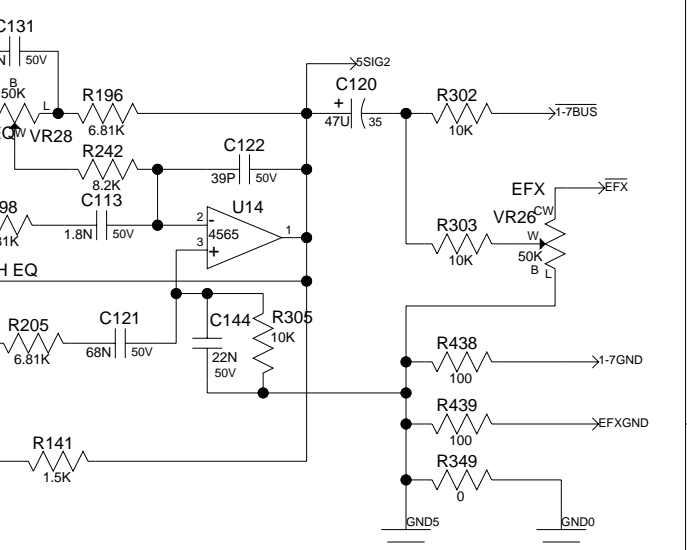
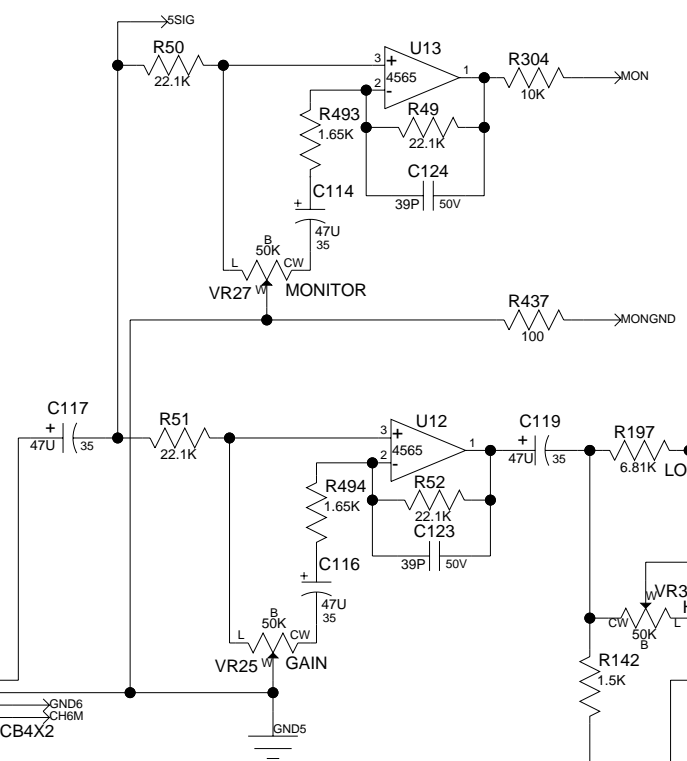
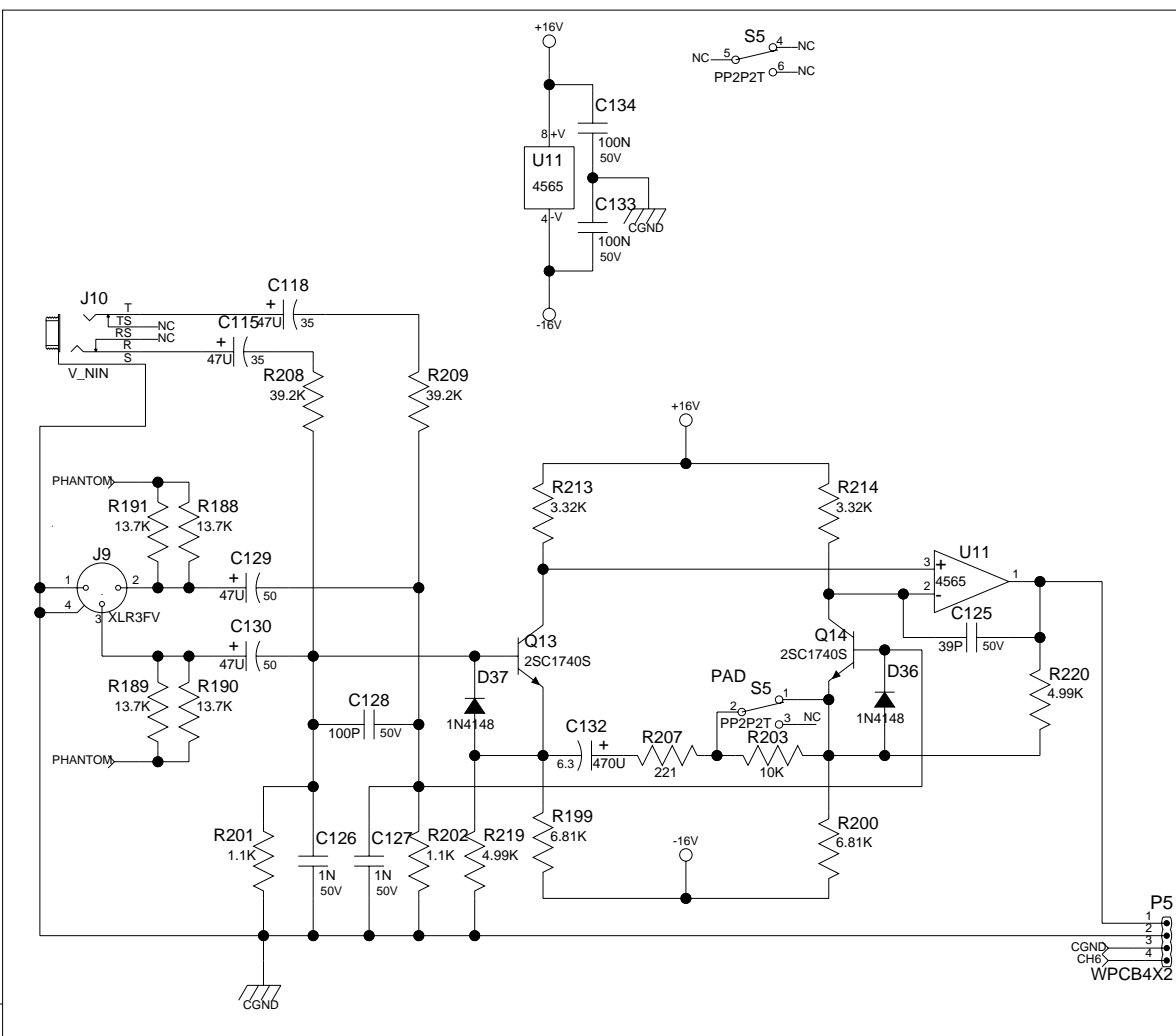
PEAVEY
Peavey Electronics Corp.
P. O. Box 2898
Meridian, MS 39301

Title: **XR8000**
Sheet Title: **CHANNEL 3**

C Sheet 4 of 12 Date: 3-2-2006_9:19



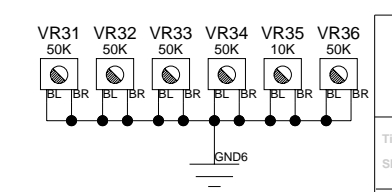
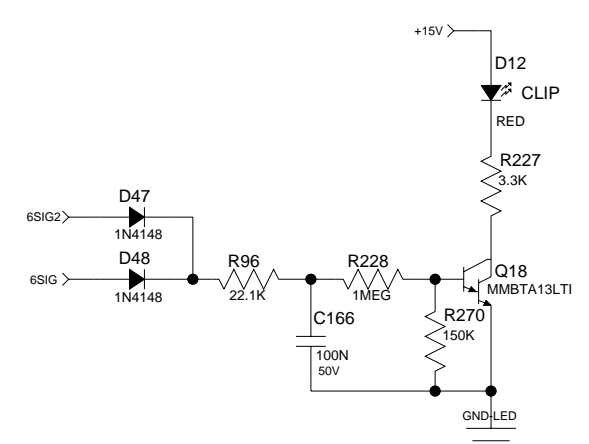
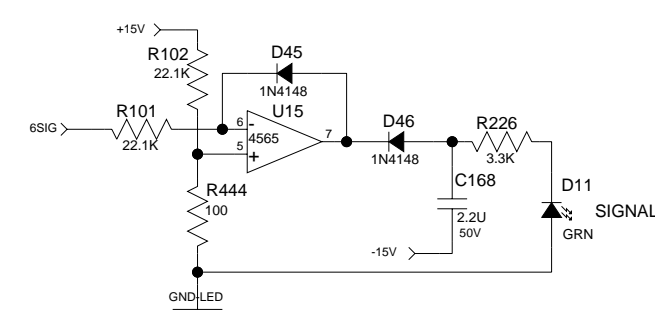
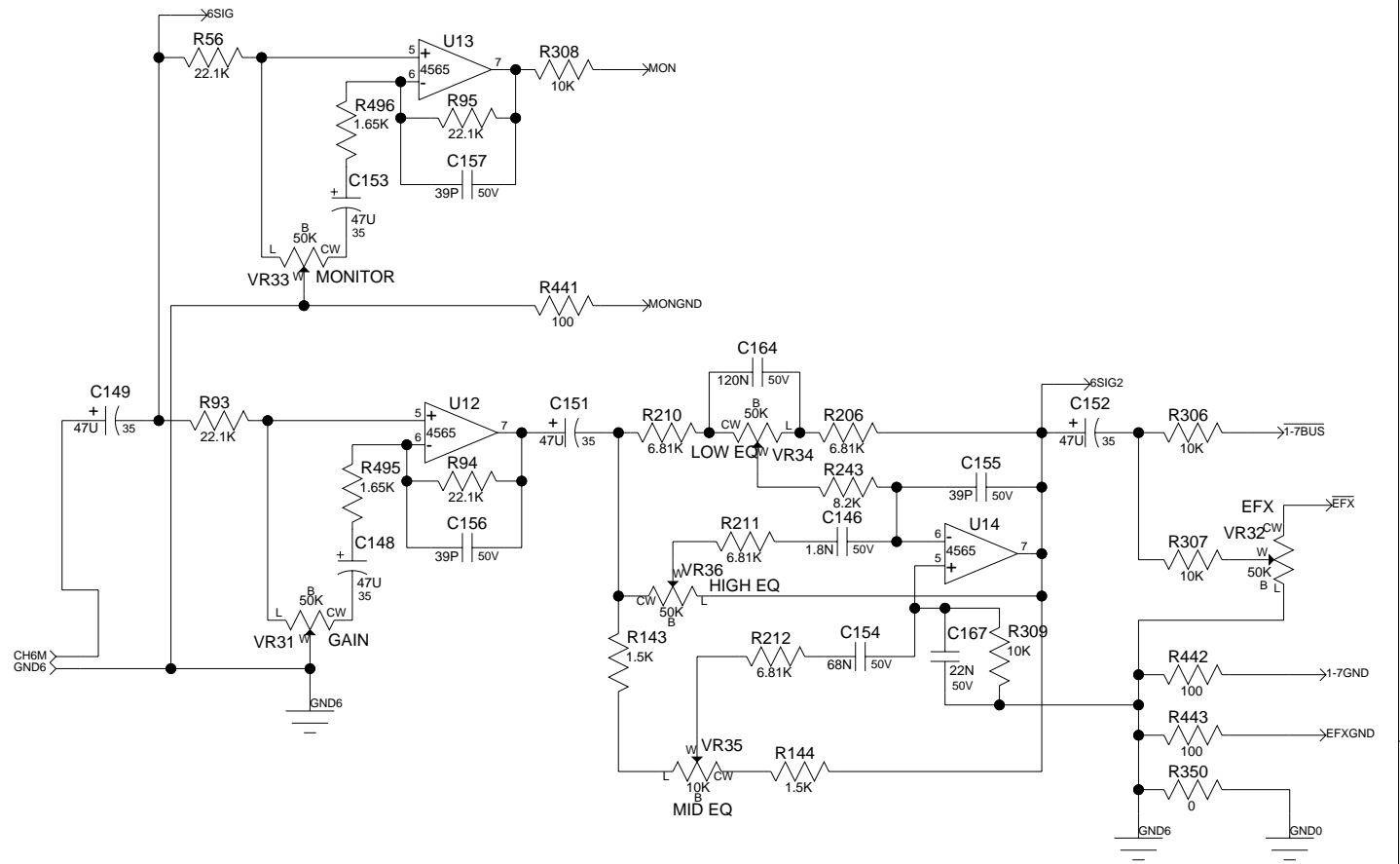
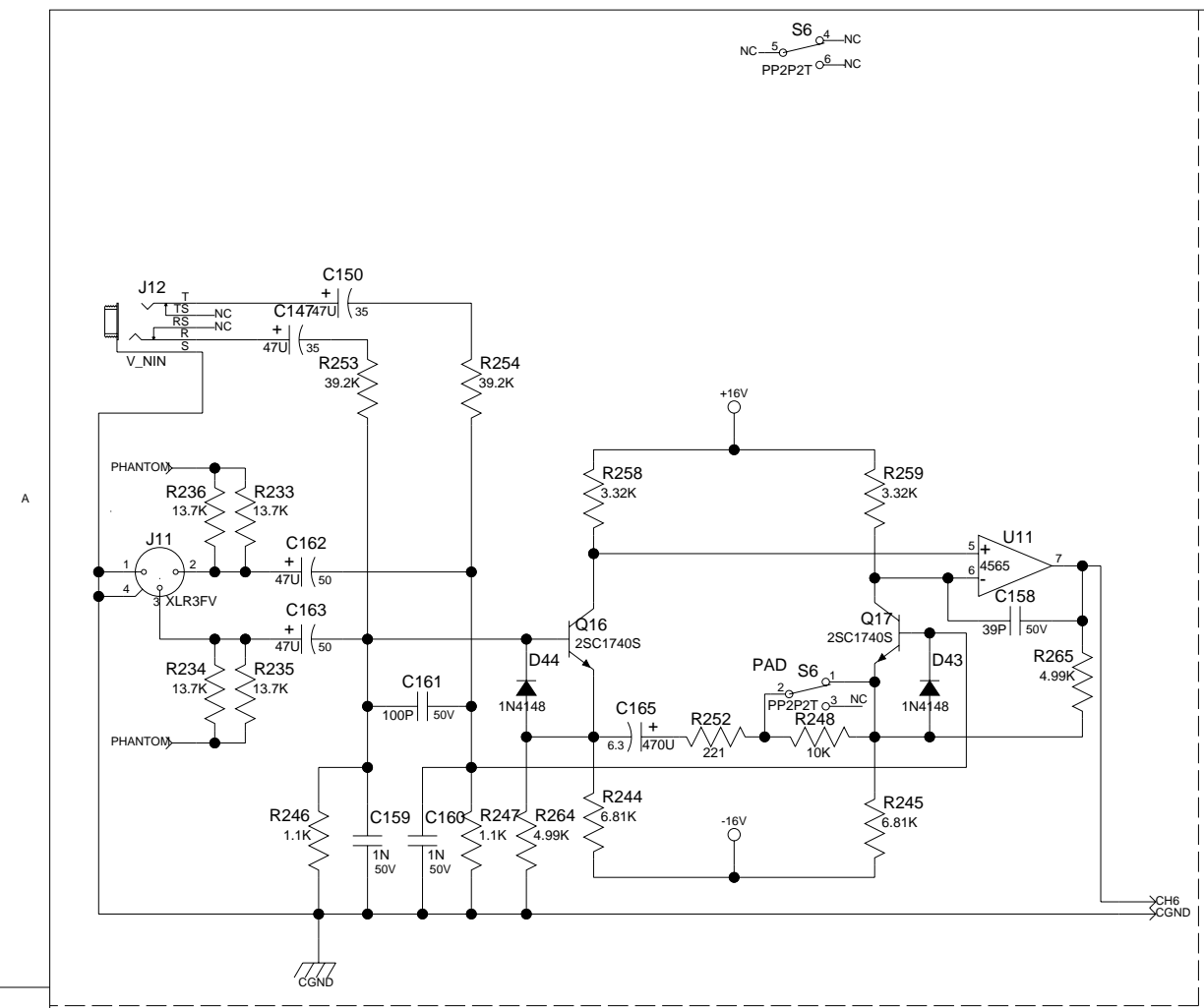
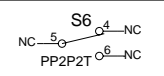
Title: XR8000
Sheet Title: CHANNEL 4



PEAVEY
Peavey Electronics Corp.
P. O. Box 2898
Meridian, MS 39301

Title: **XR8000**
Sheet Title: **CHANNEL 5**

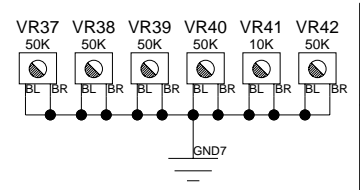
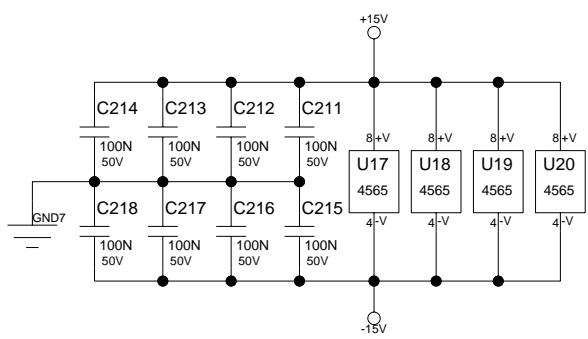
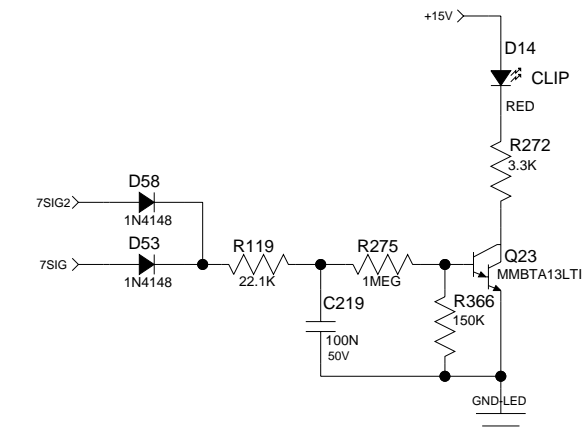
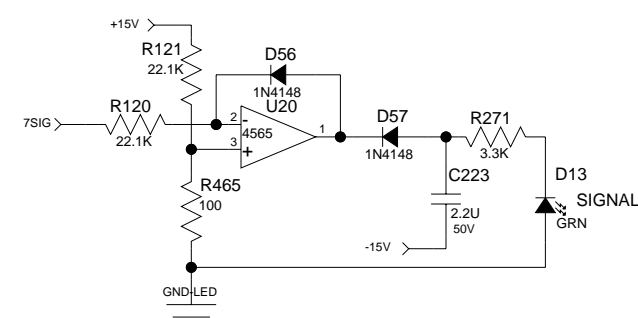
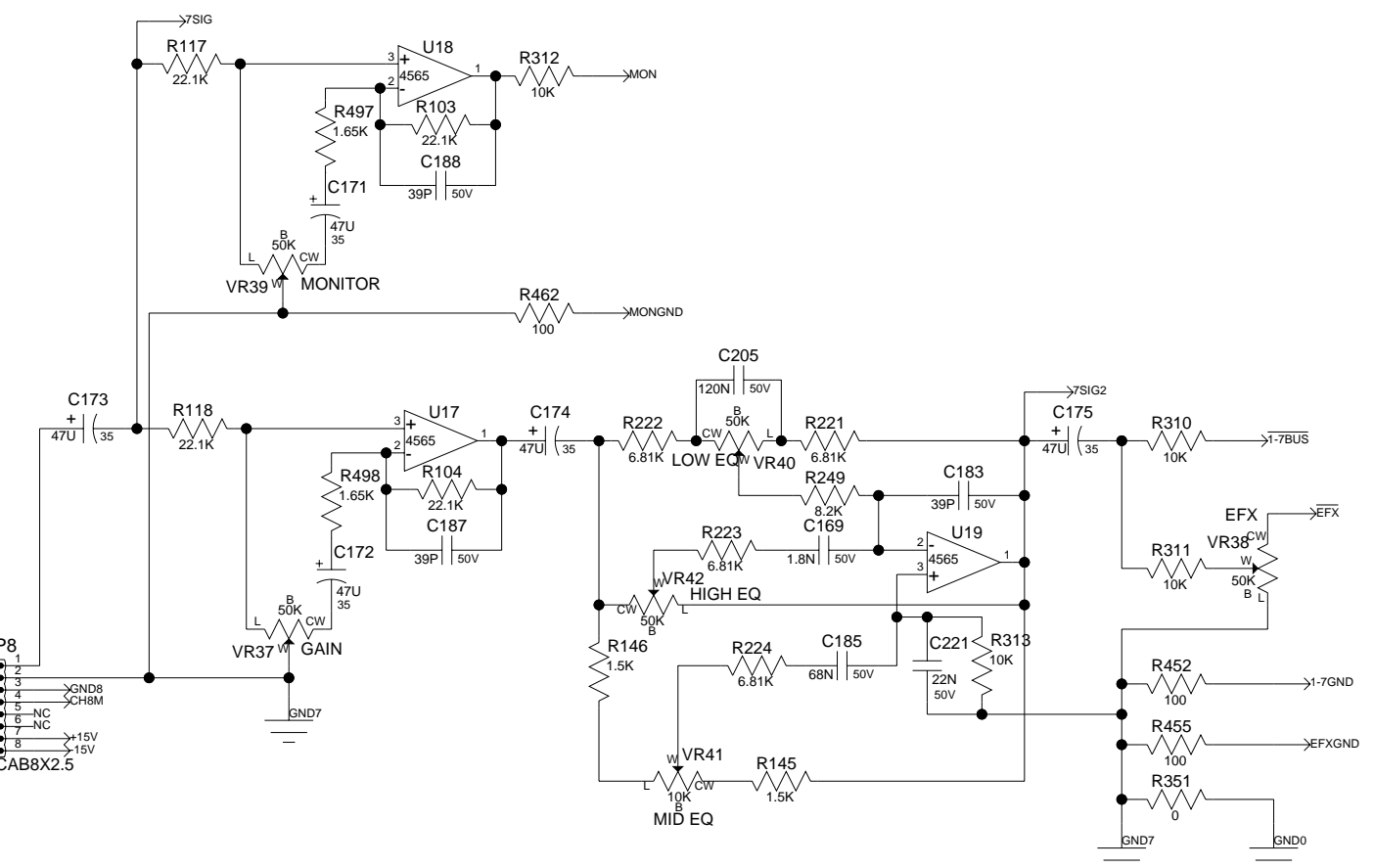
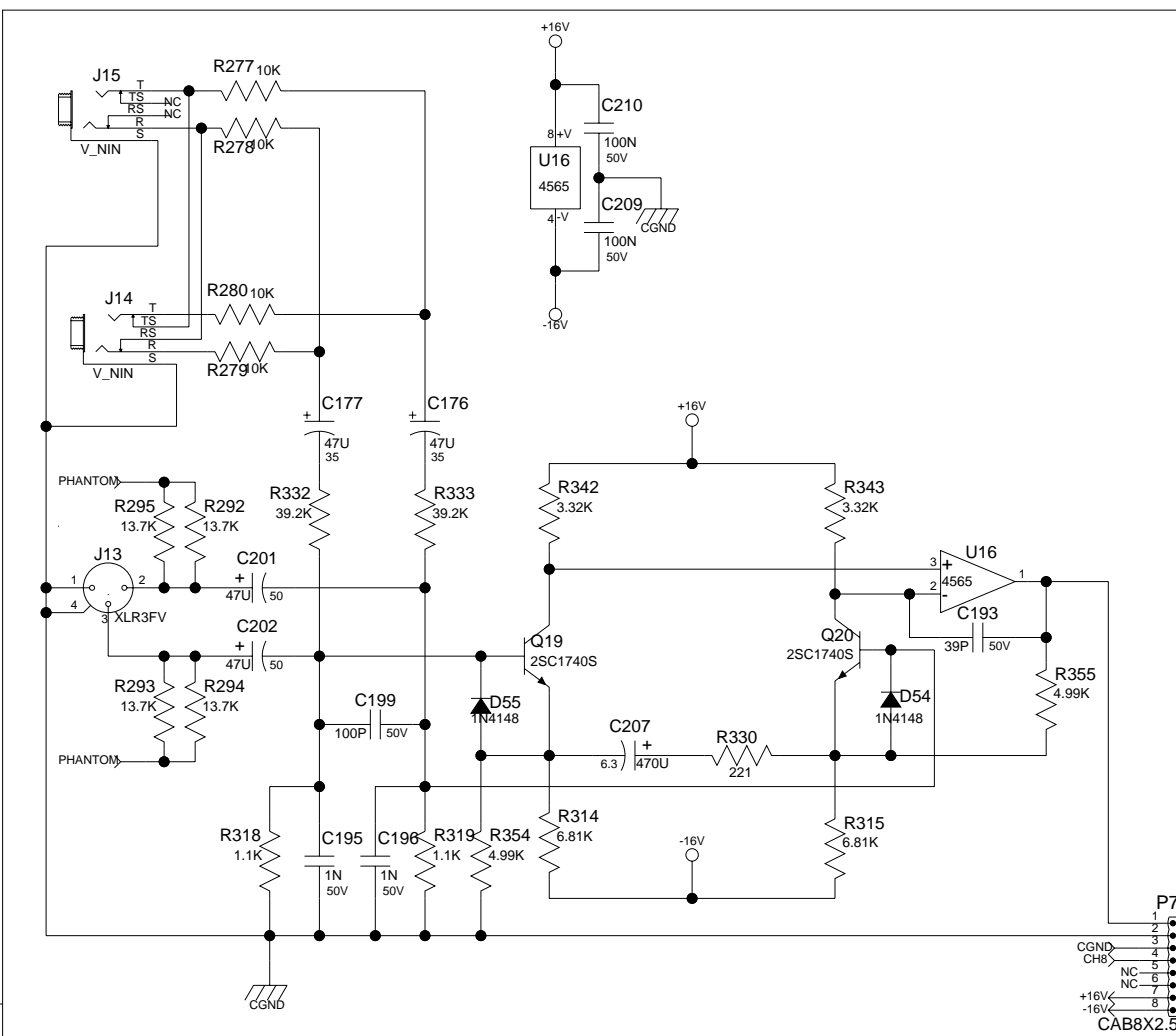
C Sheet 6 of 12 Date: 3-2-2006_9:19



PEAVEY
Peavey Electronics Corp.
P. O. Box 2898
Meridian, MS 39301

Title: **XR8000**
Sheet Title: **CHANNEL 6**

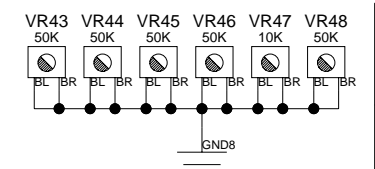
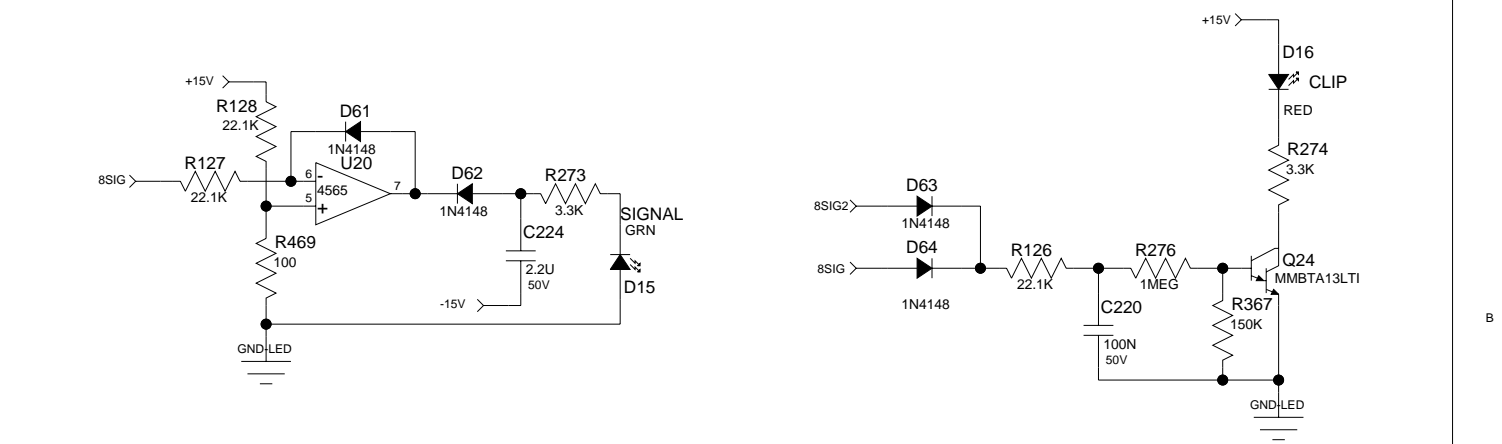
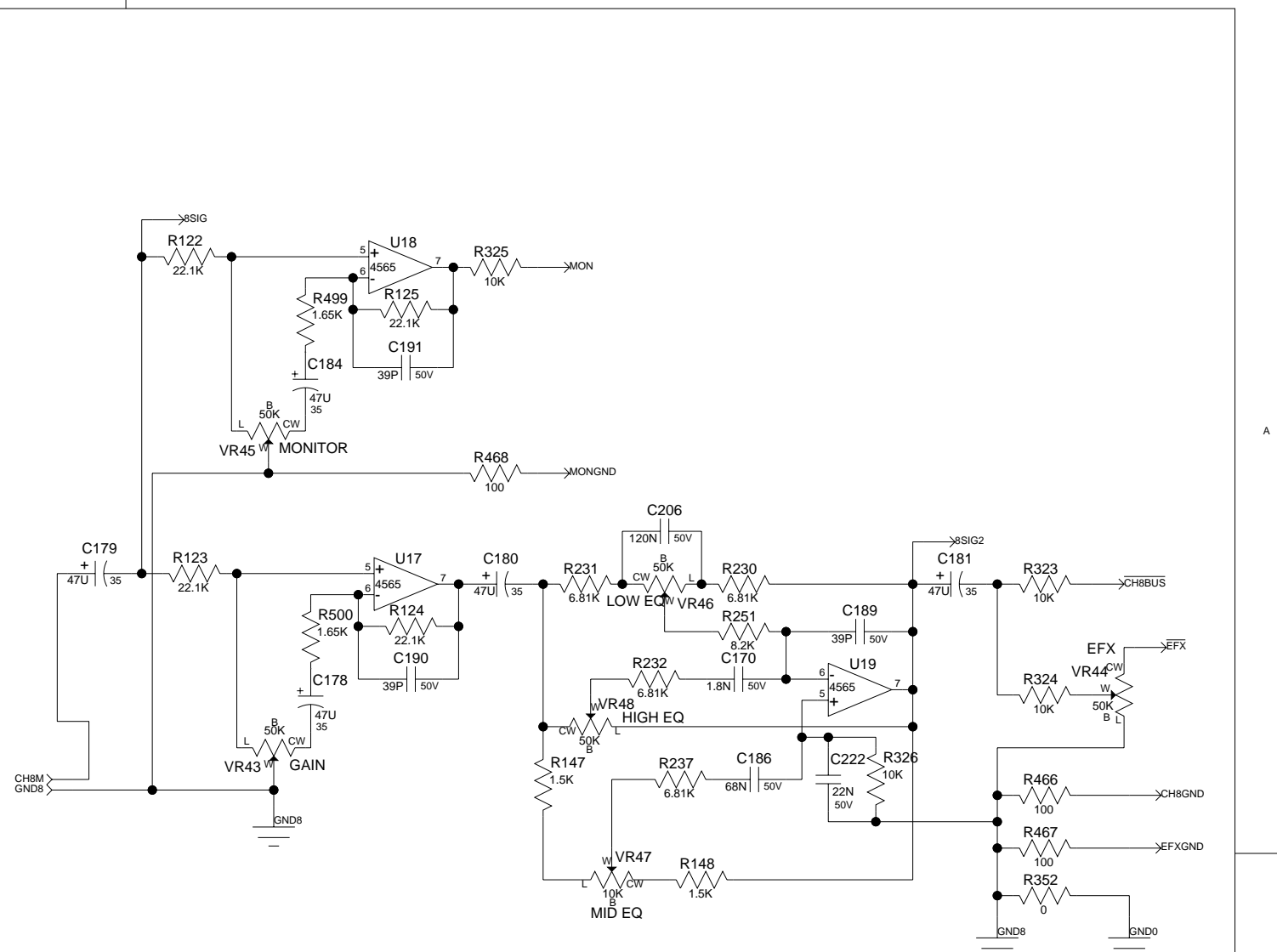
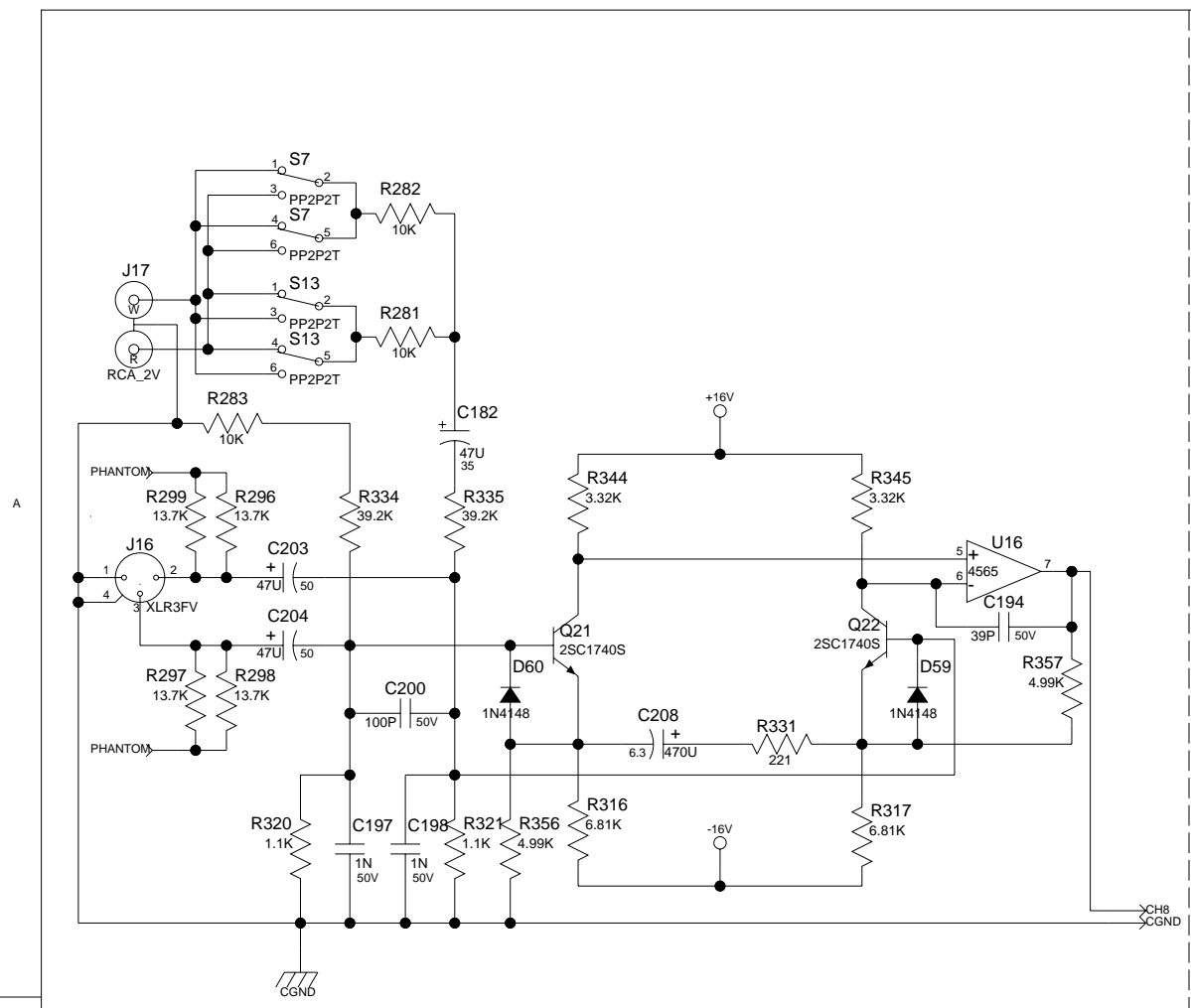
C Sheet 7 of 12 Date: 3-2-2006_9:19



PEAVEY
Peavey Electronics Corp.
P. O. Box 2898
Meridian, MS 39301

Title: **XR8000**
Sheet Title: **CHANNEL 7**

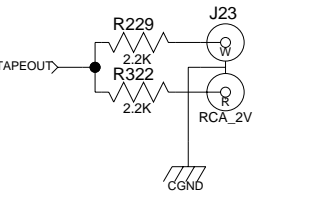
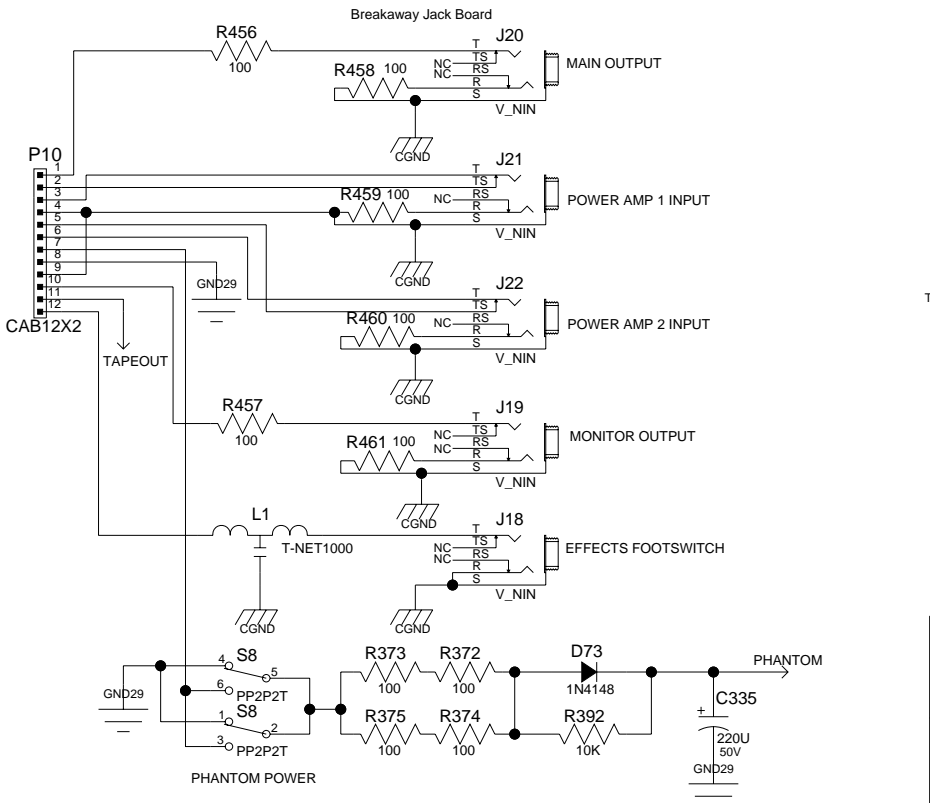
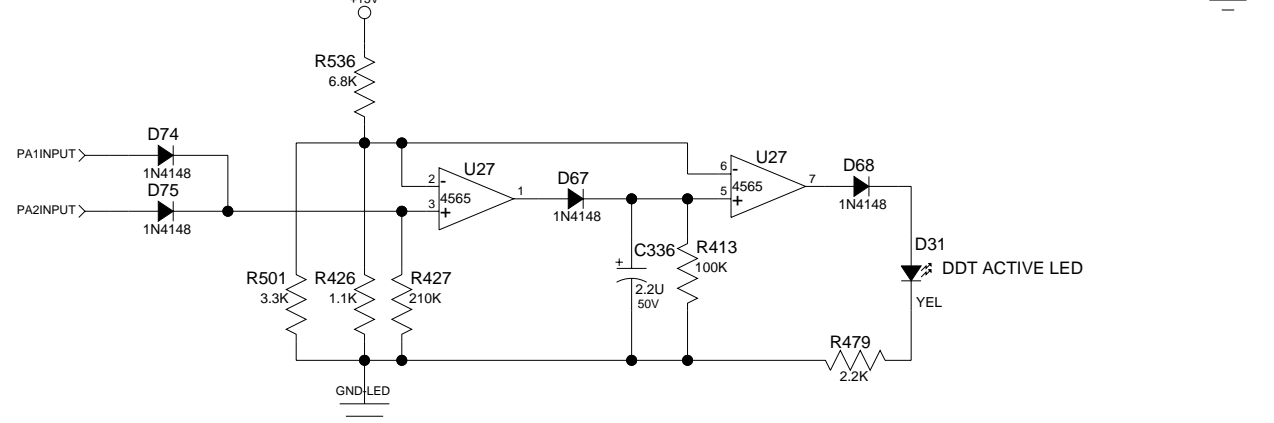
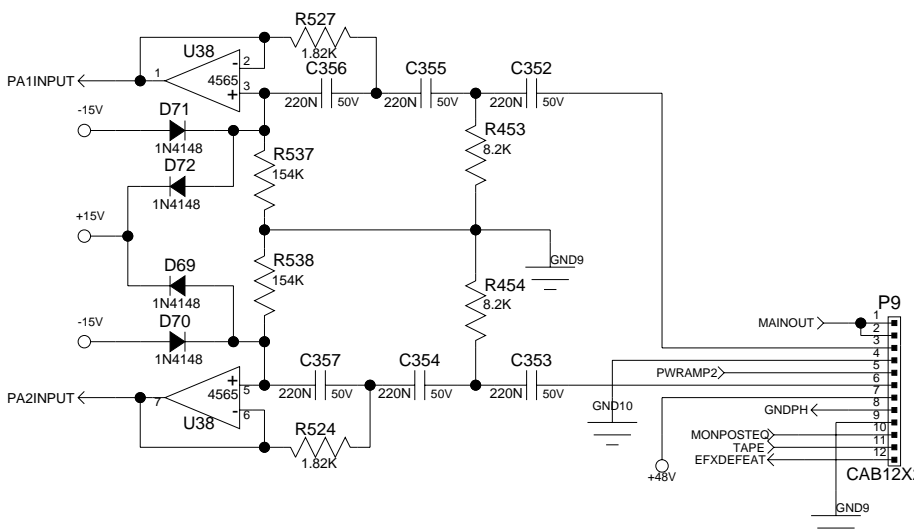
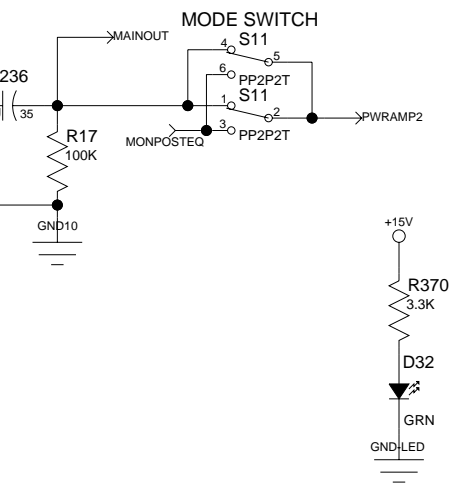
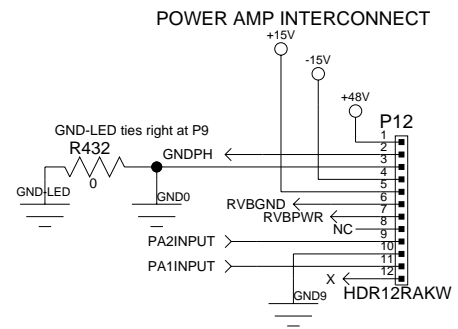
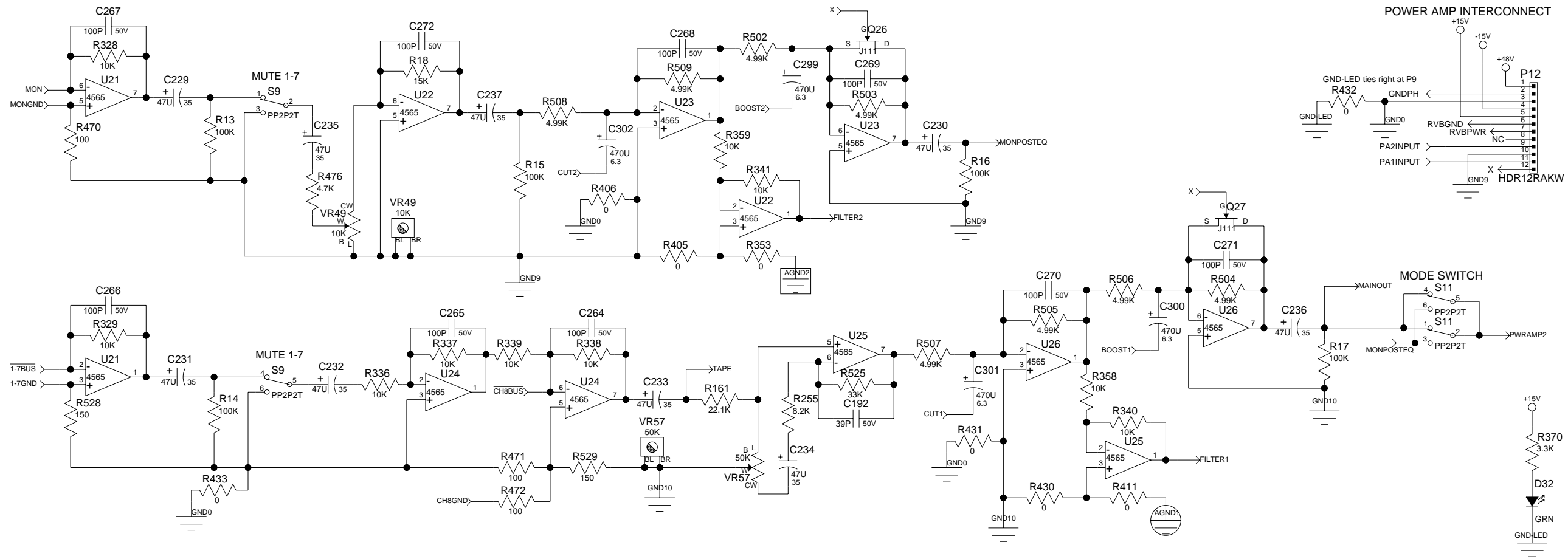
C Sheet 8 of 12 Date: 3-2-2006_9:19



PEAVEY
Peavey Electronics Corp.
P. O. Box 2898
Meridian, MS 39301

Title: XR8000
Sheet Title: CHANNEL 8

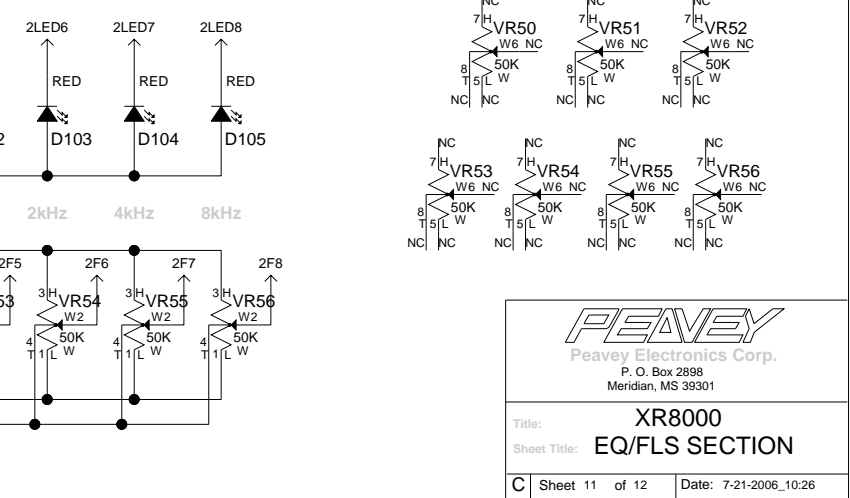
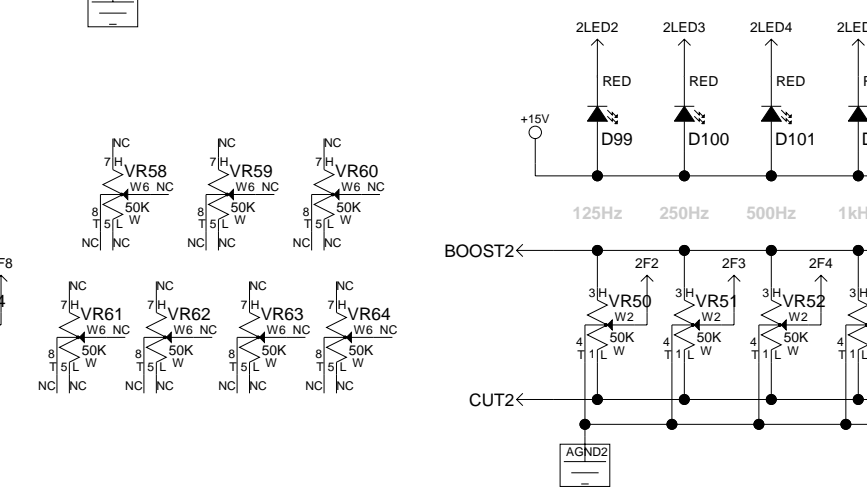
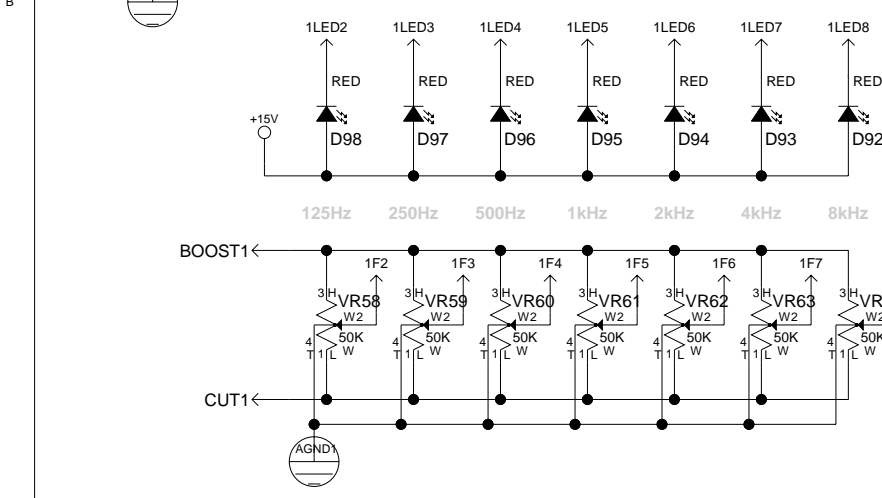
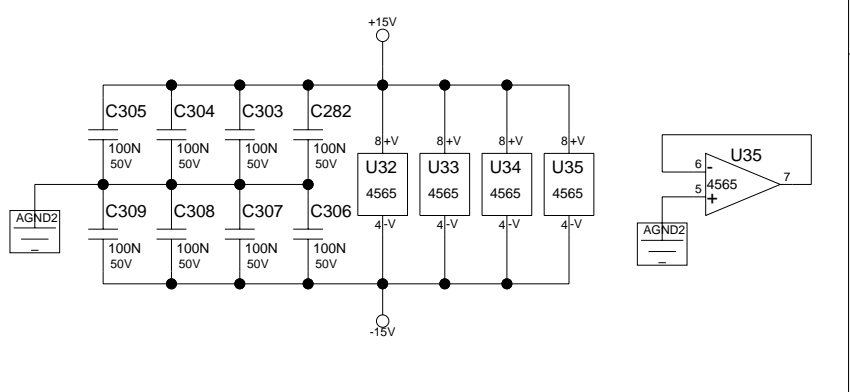
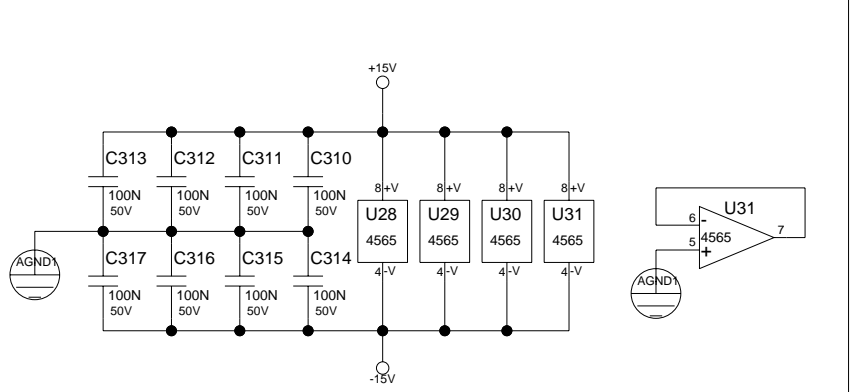
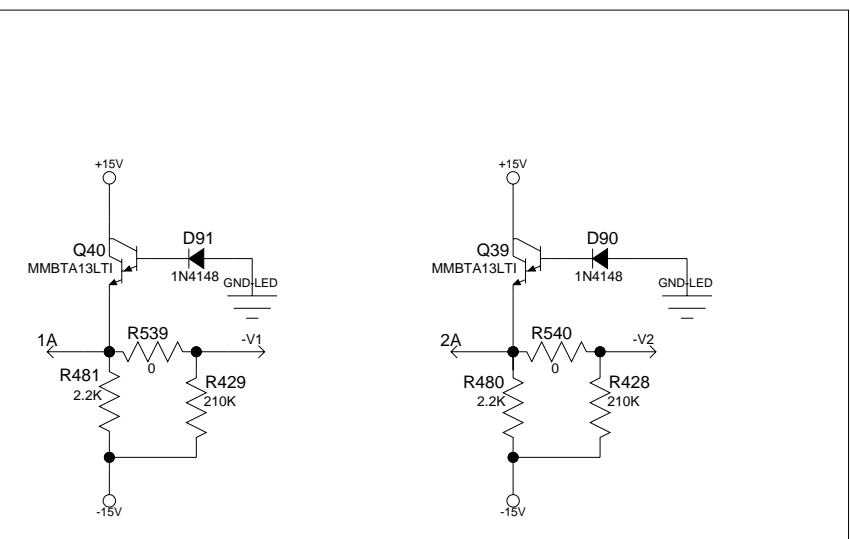
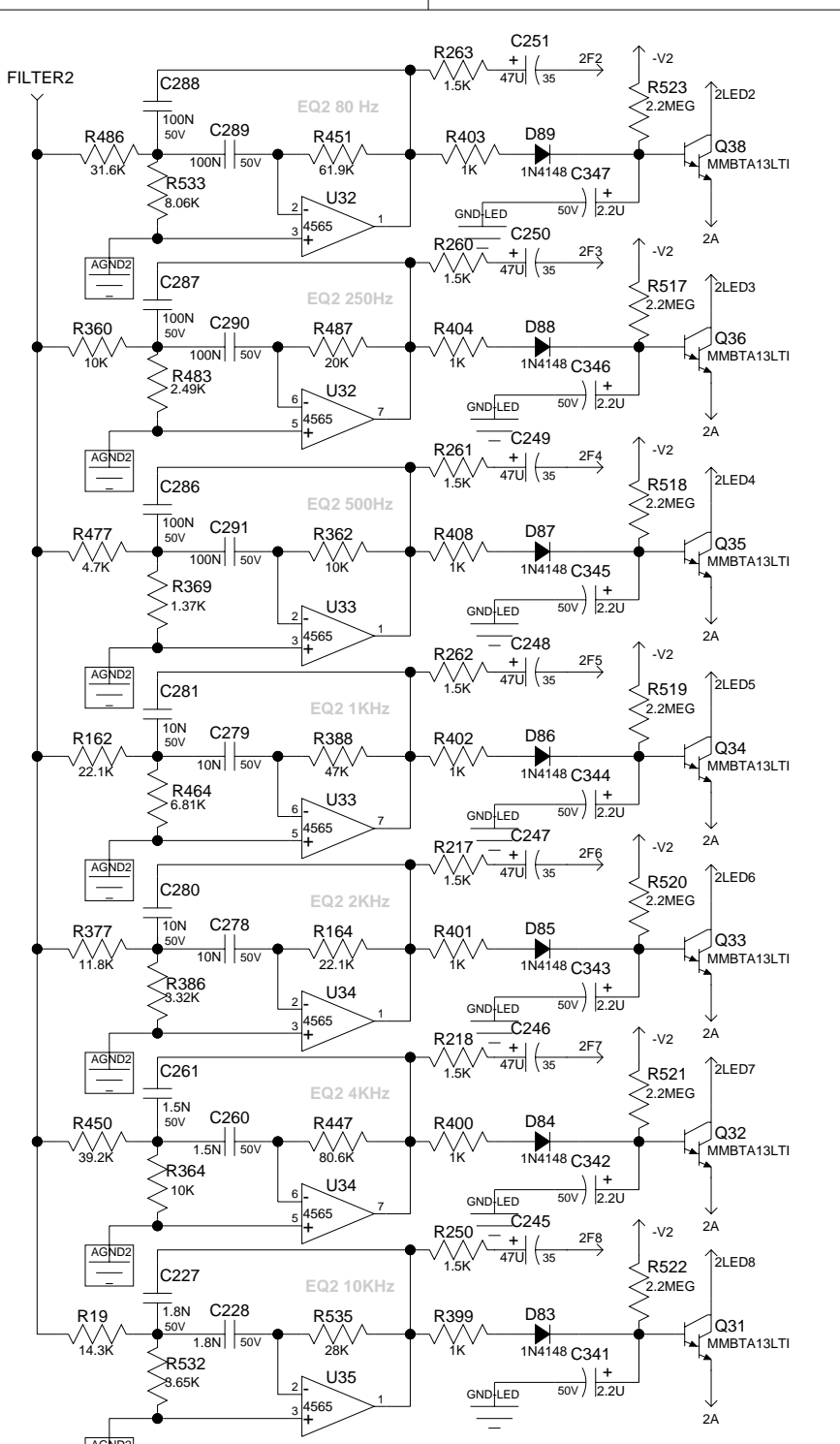
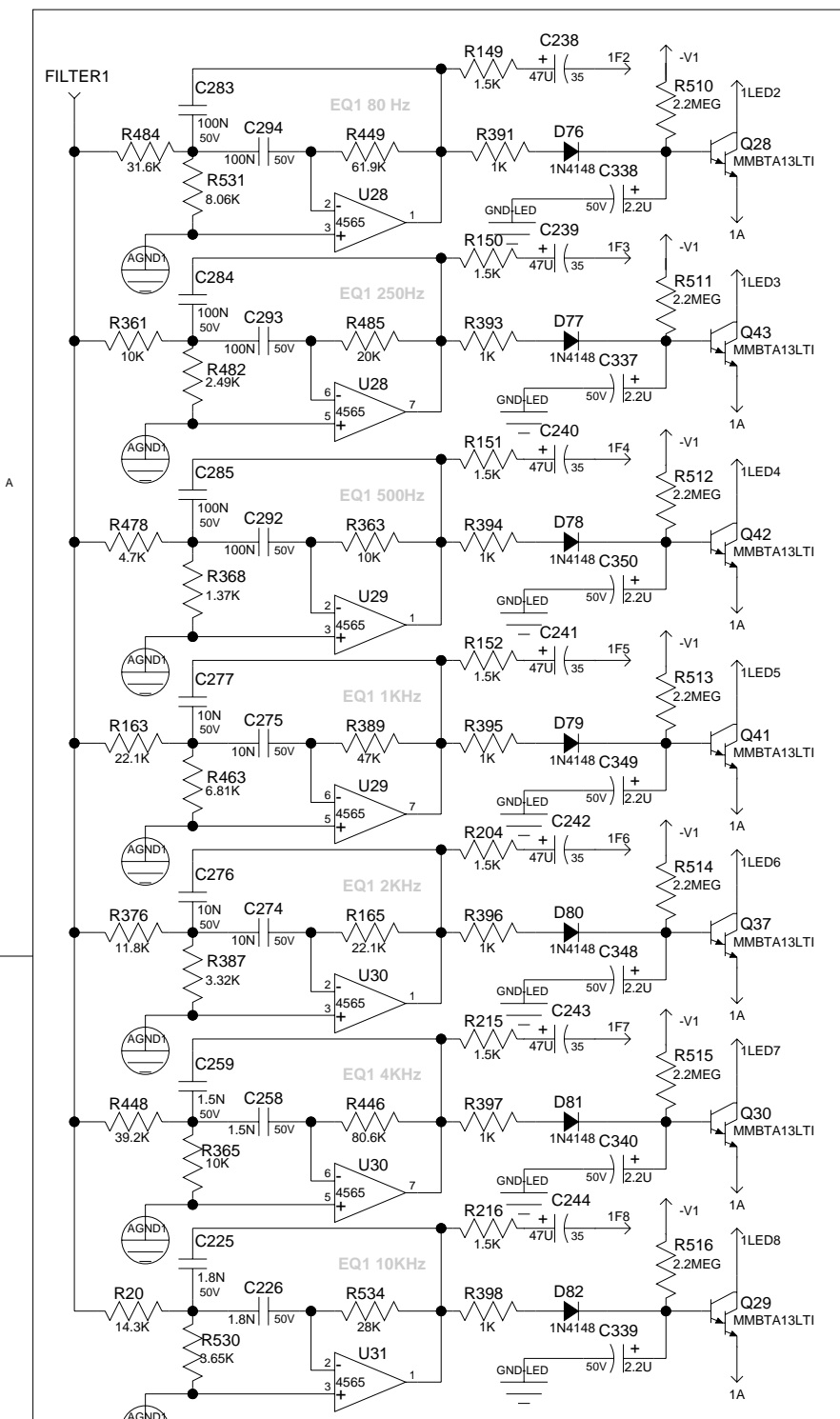
C Sheet 9 of 12 Date: 3-2-2006_9:19



PEAVEY
Peavey Electronics Corp.
P. O. Box 2898
Meridian, MS 39301

Title: **XR8000**
Sheet Title: **XR MASTER**

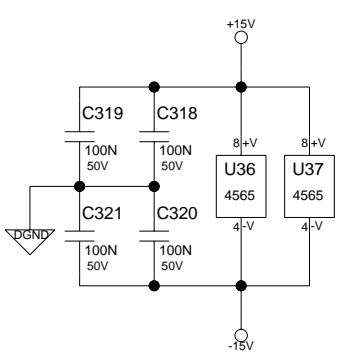
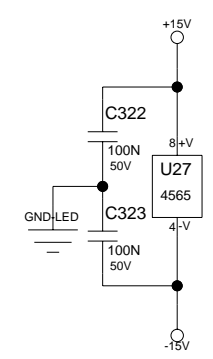
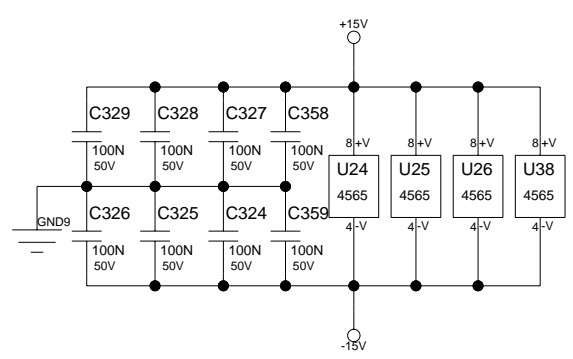
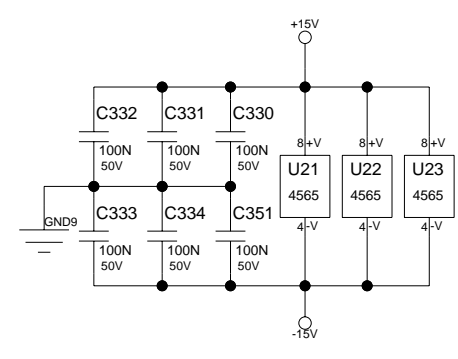
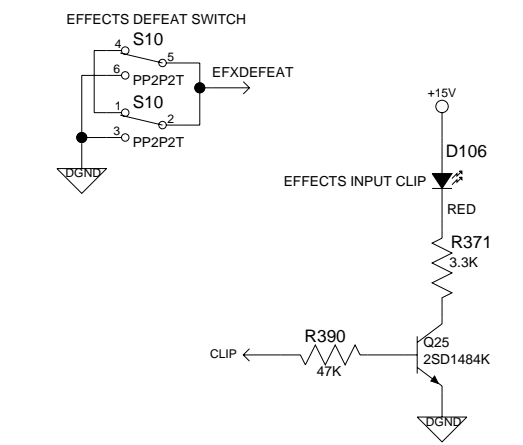
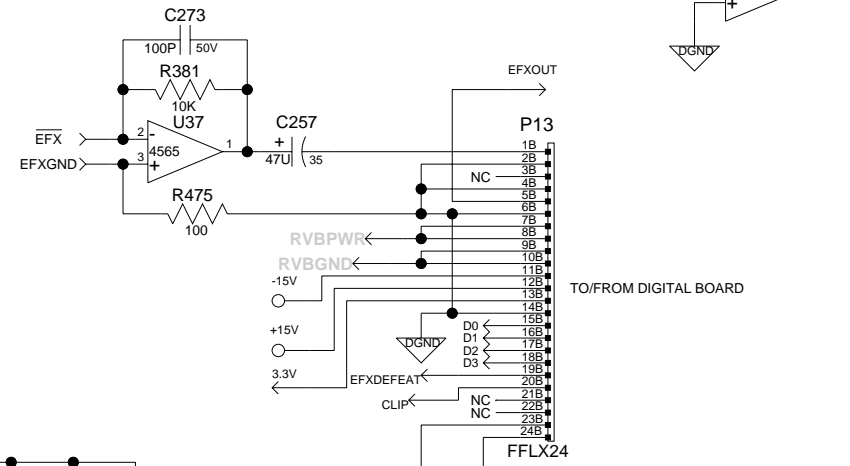
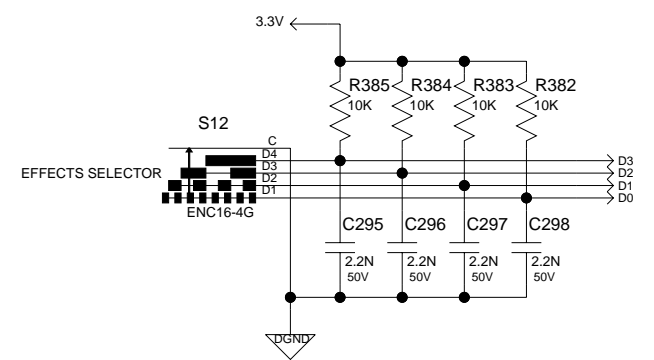
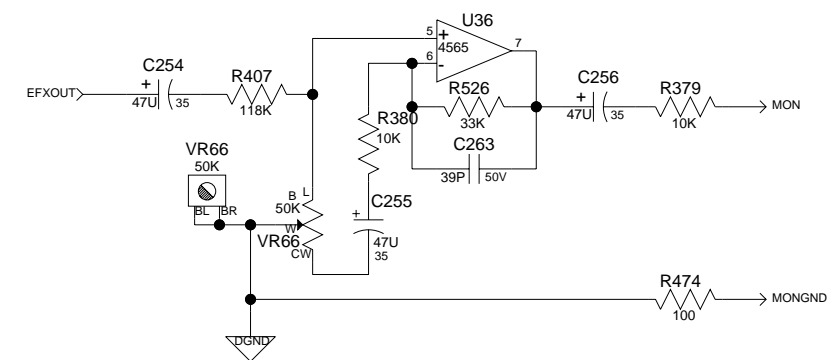
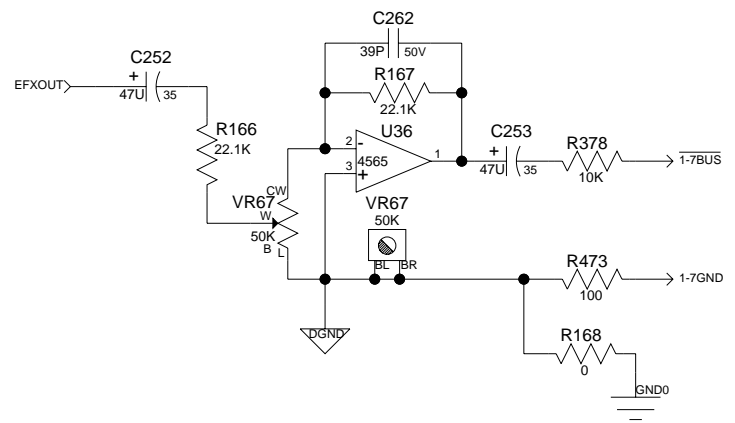
C Sheet 10 of 12 Date: 1-23-2006_14:07



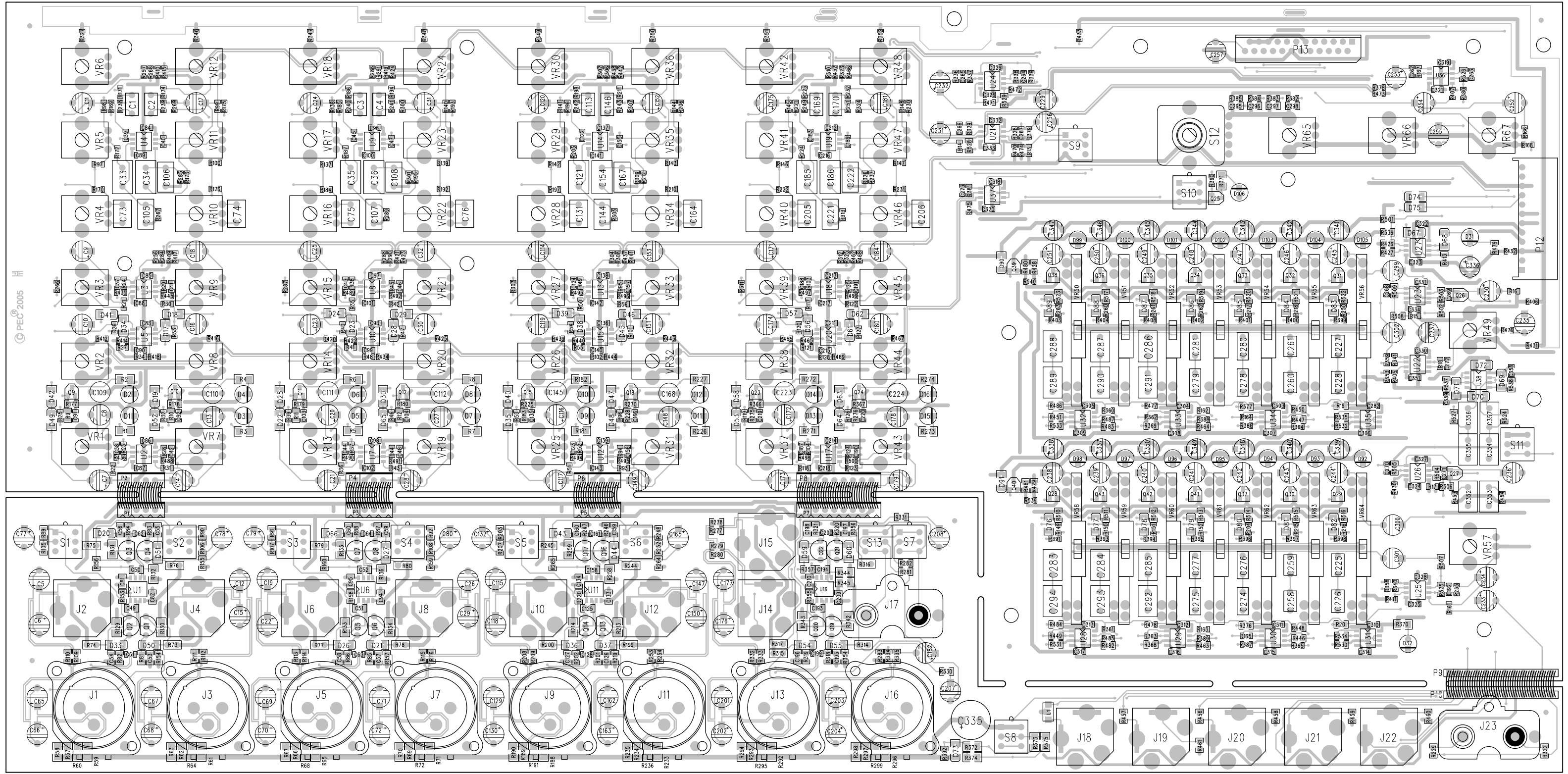
PEAVEY
Peavey Electronics Corp.
P. O. Box 2898
Meridian, MS 39301

Title: **XR8000**
Sheet Title: **EQ/FLS SECTION**

C Sheet 11 of 12 Date: 7-21-2006_10:26



Title: XR8000
 Sheet Title: EFX I/O
 C Sheet 12 of 12 Date: 1-23-2006_14:08



BILL OF MATERIAL REPORT

REPORT DATE/TIME: 3/19/2009 8:59:52 AM

BOARD NAME: XR8000 ASSEMBLY LEVEL NUMBER: 99062181

PROJECT NUMBER: P0500116 DESIGNER: FJE - 32101269

Qty.	Part #	Description	Reference Designators

--			
1	602-70200166-1	RES SMD 0805 1/10W 5% 6.8K	R536
7	602-70200168-1	RES SMD 0805 1/10W 5% 10K	R89 R90 R91 R92 R203 R248 R392
8	602-70200177-1	RES SMD 0805 1/10W 5% 1M	R9 R10 R11 R12 R183 R228 R275 R276
1	602-70200178-1	RES SMD 0805 1/10W 5% 100K	R413
3	602-70200211-1	RES SMD 0805 1/8W 1% 210K	R427 R428 R429
5	602-K11422201-1	RES SMD 0805 1/8W 5% 2.2K T&R (KW000004)	R229
R322 R479 R480			R481
4	30200060	100 1/4W 1% MF 1206	R372 R373 R374 R375
16	30200105	3.32K 1/4W 1% MF 1206	R129 R130 R131 R132 R133 R134 R135 R136 R213 R214 R258 R259 R342 R343 R344 R345
32	30200106	13.7K 1/4W 1% MF 1206	R57 R58 R59 R60 R61 R62 R63 R64 R65 R66 R67 R68 R69 R70 R71 R72 R188 R189 R190 R191 R233 R234 R235 R236 R292 R293 R294 R295 R296 R297 R298 R299
24	30200173	4.99K 1/10W 1% MF 0805	R153 R154 R155 R156 R157 R158 R159 R160 R219 R220 R264 R265 R354 R355 R356 R357 R502 R503 R504 R505 R506 R507 R508 R509

7	30200174	10K	1/10W 1% MF 0805	R277 R278 R279 R280 R281 R282 R283
17	30200175	1.1K	1/10W 1% MF 0805	R81 R82 R83 R84 R85 R86 R87 R88 R201 R202 R246 R247 R318 R319 R320 R321 R426
8	30200183	221	1/10W 1% MF 0805	R105 R106 R107 R108 R207 R252 R330 R331
2	30200189	1.37K	1/10W 1% MF 0805	R368 R369
2	30200193	11.8K	1/10W 1% MF 0805	R376 R377
2	30200203	2.49K	1/10W 1% MF 0805	R482 R483
2	30200206	14.3K	1/10W 1% MF 0805	R19 R20
2	30200208	8.06K	1/10W 1% MF 0805	R531 R533
2	30200210	154K	1/10W 1% MF 0805	R537 R538
2	30200257	31.6K	1/10W 1% MF 0805	R484 R486
18	30200259	39.2K	1/10W 1% MF 0805	R109 R110 R111 R112 R113 R114 R115 R116 R208 R209 R253 R254 R332 R333 R334 R335 R448 R450
2	30200271	28K	1/10W 1% MF 0805	R534 R535
2	30200278	80.6K	1/10W 1% MF 0805	R446 R447
19	30200281	0.0	JUMPER 0.1 0603	R168 R327 R346 R347 R348 R349 R350 R351 R352 R353 R405 R406 R411 R430 R431 R432 R433 R539 R540
30	30200284	1.5K	1/10W 1% MF 0603	R97 R98 R99 R100 R137 R138 R139 R140 R141 R142 R143 R144 R145 R146 R147 R148 R149 R150 R151 R152 R204 R215 R216 R217 R218 R250 R260 R261 R262 R263
38	30200287	100	1/10W 1% MF 0603	R409 R410 R412 R414 R415 R416 R417 R418 R419 R420 R421 R422

						R423 R424 R425 R434 R437 R438 R439 R440 R441 R442 R443 R444 R452 R455 R462 R465 R466 R467 R468 R469 R470 R471 R472 R473 R474 R475
5	30200288	100K	1/10W	5% MF	0603	R13 R14 R15 R16 R17
56	30200289	10K	1/10W	1% MF	0603	R256 R257 R266 R267 R268 R269 R284 R285 R286 R287 R288 R289 R290 R291 R300 R301 R302 R303 R304 R305 R306 R307 R308 R309 R310 R311 R312 R313 R323 R324 R325 R326 R328 R329 R336 R337 R338 R339 R340 R341 R358 R359 R360 R361 R362 R363 R364 R365 R378 R379 R380 R381 R382 R383 R384 R385
1	30200292	15K	1/10W	5% MF	0603	R18
14	30200294	1K	1/10W	1% MF	0603	R391 R393 R394 R395 R396 R397 R398 R399 R400 R401 R402 R403 R404 R408
2	30200295	20K	1/10W	1% MF	0603	R485 R487
63	30200296	22.1K	1/10W	1% MF	0603	R21 R22 R23 R24 R25 R26 R27 R28 R29 R30 R31 R32 R33 R34 R35 R36 R37 R38 R39 R40 R41 R42 R43 R44 R45 R46 R47 R48 R49 R50 R51 R52 R53 R54 R55 R56 R93 R94 R95 R96 R101 R102 R103 R104 R117 R118 R119 R120 R121 R122 R123 R124 R125 R126 R127 R128 R161 R162 R163 R164 R165 R166 R167
2	30200301	3.32K	1/10W	1% MF	0603	R386 R387
3	30200310	4.7K	1/10W	5% MF	0603	R476 R477 R478

3	30200313	47K	1/10W 5% MF 0603	R388 R389 R390
32	30200319	6.81K	1/10W 1% MF 0603	R169 R170 R171 R172 R173 R174 R175 R176 R184 R185 R186 R187 R192 R193 R194 R195 R196 R197 R198 R205 R206 R210 R211 R212 R221 R222 R223 R224 R230 R231 R232 R237
11	30200323	8.2K	1/10W 1% MF 0603	R238 R239 R240 R241 R242 R243 R249 R251 R255 R453 R454
2	30200328	6.81K	1/10W 1% MF 0805	R463 R464
2	30200332	61.9K	1/10W 1% MF 0805	R449 R451
2	30200423	3.65K	1/10W 1% MF 0805	R530 R532
2	30200437	1.82K	1/10W 1% MF 0805	R524 R527
1	30200482	118K	1/10W 1% MF 0603	R407
16	30200485	1.65K	1/10W 1% MF 0603	R435 R436 R445 R488 R489 R490 R491 R492 R493 R494 R495 R496 R497 R498 R499 R500
16	30241043	6.81K	1/4W 1% MF AXL	R73 R74 R75 R76 R77 R78 R79 R80 R199 R200 R244 R245 R314 R315 R316 R317
8	30300085	0.1UF	50V 20% Z5U 0805	C81 C82 C94 C95 C133 C134 C209 C210
8	30300087	39PF	50V 5% NPO 0805	C49 C50 C51 C52 C125 C158 C193 C194
16	30300091	1000PF	50V 5% NPO 0805	C53 C54 C55 C56 C57 C58 C59 C60 C126 C127 C159 C160 C195 C196 C197 C198
4	30300115	2200PF	50V 10% X7R 0805	C295 C296 C297 C298
76	30300128	0.1UF	50V 10% Y5V 0603	C83 C84 C85 C86 C87 C88 C89 C90

						C91 C92 C93 C96 C97 C98 C99 C100 C101 C102 C103 C104 C135 C136 C137 C138 C139 C140 C141 C142 C143 C166 C211 C212 C213 C214 C215 C216 C217 C218 C219 C220 C282 C303 C304 C305 C306 C307 C308 C309 C310 C311 C312 C313 C314 C315 C316 C317 C318 C319 C320 C321 C322 C323 C324 C325 C326 C327 C328 C329 C330 C331 C332 C333 C334 C351 C358 C359
18	30300133	100PF	50V	5%	NPO 0603	C61 C62 C63 C64 C128 C161 C199 C200 C264 C265 C266 C267 C268 C269 C270 C271 C272 C273
27	30300220	39PF	50V	5%	NPO 0603	C37 C38 C39 C40 C41 C42 C43 C44 C45 C46 C47 C48 C122 C123 C124 C155 C156 C157 C183 C187 C188 C189 C190 C191 C192 C262 C263
15	30320180	2.2UF	50V	20%	EL RAD	C336 C337 C338 C339 C340 C341 C342 C343 C344 C345 C346 C347 C348 C349 C350
8	30320184	2.2UF	50V	20%	ELN RAD	C109 C110 C111 C112 C145 C168 C223 C224
1	30320187	220UF	50V	20%	EL RAD	C335
4	30330120	1500PF	50V	5%	PE RAD	C258 C259 C260 C261
8	30330124	0.068UF	50V	5%	PE RAD	C33 C34 C35 C36 C121 C154 C185 C186
12	30330127	1800PF	50V	5%	PE RAD	C1 C2 C3 C4 C113 C146 C169 C170 C225 C226 C227 C228
6	30330128	0.22UF	50V	5%	PE RAD	C352 C353 C354 C355

						C356 C357
12	30330129	0.1UF	50V	5%	PE RAD	C283 C284 C285 C286 C287 C288 C289 C290 C291 C292 C293 C294
8	30330133	0.12UF	50V	5%	PE RAD	C73 C74 C75 C76 C131 C164 C205 C206
8	30330134	0.022UF	50V	5%	PE RAD	C105 C106 C107 C108 C144 C167 C221 C222
8	30330155	0.01UF	50V	5%	PE RAD	C274 C275 C276 C277 C278 C279 C280 C281
16	30401740	2SC1740SLN	NPN	LN	RAD	Q1 Q2 Q3 Q4 Q5 Q6 Q7 Q8 Q13 Q14 Q16 Q17 Q19 Q20 Q21 Q22
1	30411484	2SD1484K	NPN	SOT23		Q25
24	30418051	MMBTA13LTI	NPN	DARL.	SMT	Q9 Q10 Q11 Q12 Q15 Q18 Q23 Q24 Q28 Q29 Q30 Q31 Q32 Q33 Q34 Q35 Q36 Q37 Q38 Q39 Q40 Q41 Q42 Q43
2	30418138	J111	JFET	N	SOT23	Q26 Q27
1	30418212	1000PF/FERRITE	T	FLTR	SMT	L1
38	30418506	4565	DUAL	OPAMP	SOIC8W	U1 U2 U3 U4 U5 U6 U7 U8 U9 U10 U11 U12 U13 U14 U15 U16 U17 U18 U19 U20 U21 U22 U23 U24 U25 U26 U27 U28 U29 U30 U31 U32 U33 U34 U35 U36 U37 U38
12	31322356	SWITCH	DPDT	2.8MM	SHFT V	S1 S2 S3 S4 S5 S6 S7 S8 S9 S10 S11 S13
13	31466217	STEREO	HID	JACK	NINS W/SPD	J2 J4 J6 J8 J10 J12 J14 J15

						J18 J19 J20 J21 J22
16	70320182	47UF	50V 20% EL	RAD		C65 C66 C67 C68 C69 C70 C71 C72 C129 C130 C162 C163 C201 C202 C203 C204
12	70320183	470UF	6.3V 20% EL	RAD		C77 C78 C79 C80 C132 C165 C207 C208 C299 C300 C301 C302
84	70320344	47UF	35V 20% EL	RAD		C5 C6 C7 C8 C9 C10 C11 C12 C13 C14 C15 C16 C17 C18 C19 C20 C21 C22 C23 C24 C25 C26 C27 C28 C29 C30 C31 C32 C114 C115 C116 C117 C118 C119 C120 C147 C148 C149 C150 C151 C152 C153 C171 C172 C173 C174 C175 C176 C177 C178 C179 C180 C181 C182 C184 C229 C230 C231 C232 C233 C234 C235 C236 C237 C238 C239 C240 C241 C242 C243 C244 C245 C246 C247 C248 C249 C250 C251 C252 C253 C254 C255 C256 C257
73	70418026	1N4148	(LL34) DIODE	SMT		D17 D18 D19 D20 D21 D22 D23 D24 D25 D26 D27 D28 D29 D30 D33 D34 D35 D36 D37 D38 D39 D40 D41 D42 D43 D44 D45 D46 D47 D48 D49 D50 D51 D52 D53 D54 D55 D56 D57 D58 D59 D60 D61 D62 D63 D64 D65 D66 D67 D68 D69 D70 D71 D72 D73 D74 D75 D76 D77 D78 D79 D80 D81 D82 D83 D84 D85 D86 D87 D88 D89 D90 D91

23	70450050	RED T1 LED W/.500" SPCR	D2 D4 D6 D8 D10 D12 D14 D16 D92 D93 D94 D95 D96 D97 D98 D99 D100 D101 D102 D103 D104 D105 D106
9	70450051	GRN T1 LED W/.500" SPCR	D1 D3 D5 D7 D9 D11 D13 D15 D32
1	70450052	YEL T1 LED W/.500" SPCR	D31
2	70600064	12C 2.5MM STRP STRP 2" JMP	P9 P10
6	70600520	4C 2.5MM WPCB WPCB 2.25"	P1 P2 P3 P4 P5 P6
2	70600533	8C 2.5MM WPCB WPCB 2.5"	P7 P8
1	70650972	24 FLAT FLEX CONN TH HOLE	P13
10	71190257	10KB SNGL 9MM DET VER	VR5 VR11 VR17 VR23 VR29 VR35 VR41 VR47 VR49 VR65
43	71190259	50KB SNGL 9MM DET VER	VR1 VR2 VR3 VR4 VR6 VR7 VR8 VR9 VR10 VR12 VR13 VR14 VR15 VR16 VR18 VR19 VR20 VR21 VR22 VR24 VR25 VR26 VR27 VR28 VR30 VR31 VR32 VR33 VR34 VR36 VR37 VR38 VR39 VR40 VR42 VR43 VR44 VR45 VR46 VR48 VR57 VR66 VR67
14	71190459	50KW DUAL 20MM DET VER	VR50 VR51 VR52 VR53 VR54 VR55 VR56 VR58 VR59 VR60 VR61 VR62 VR63 VR64
1	71322438	ENCODER 4BIT GRAY PC V	S12
8	71466325	FXLR NC3FAV A-SER VERT	J1 J3 J5 J7 J9 J11 J13 J16
2	71466474	DUAL RCA 24MM VERT	J17 J23
1	73711820	12 HDR H SR 2.5MM TIN	P12
7	FIDUCIAL	????????????????????????????????	FID1 FID2 FID3 FID4 FID5 FID8 FID9
18	K702005	3.3K 1/4W 5% MF 1206	R1 R2 R3 R4

R5 R6 R7 R8
R181 R182 R226 R227
R271 R272 R273 R274
R370 R371

1	K702007	3.3K	1/10W 5% MF 0805	R501
8	K702008	150K	1/10W 5% MF 0805	R177 R178 R179 R180 R225 R270 R366 R367
6	K702009	100	1/10W 5% MF 0805	R456 R457 R458 R459 R460 R461
2	K702011	33K	1/10W 5% MF 0805	R525 R526
14	K70200443	2.2M	1/10W 5% MF 0805	R510 R511 R512 R513 R514 R515 R516 R517 R518 R519 R520 R521 R522 R523
2	K70200448	150	1/10W 5% MF 0805	R528 R529

END OF BILL OF MATERIAL REPORT
