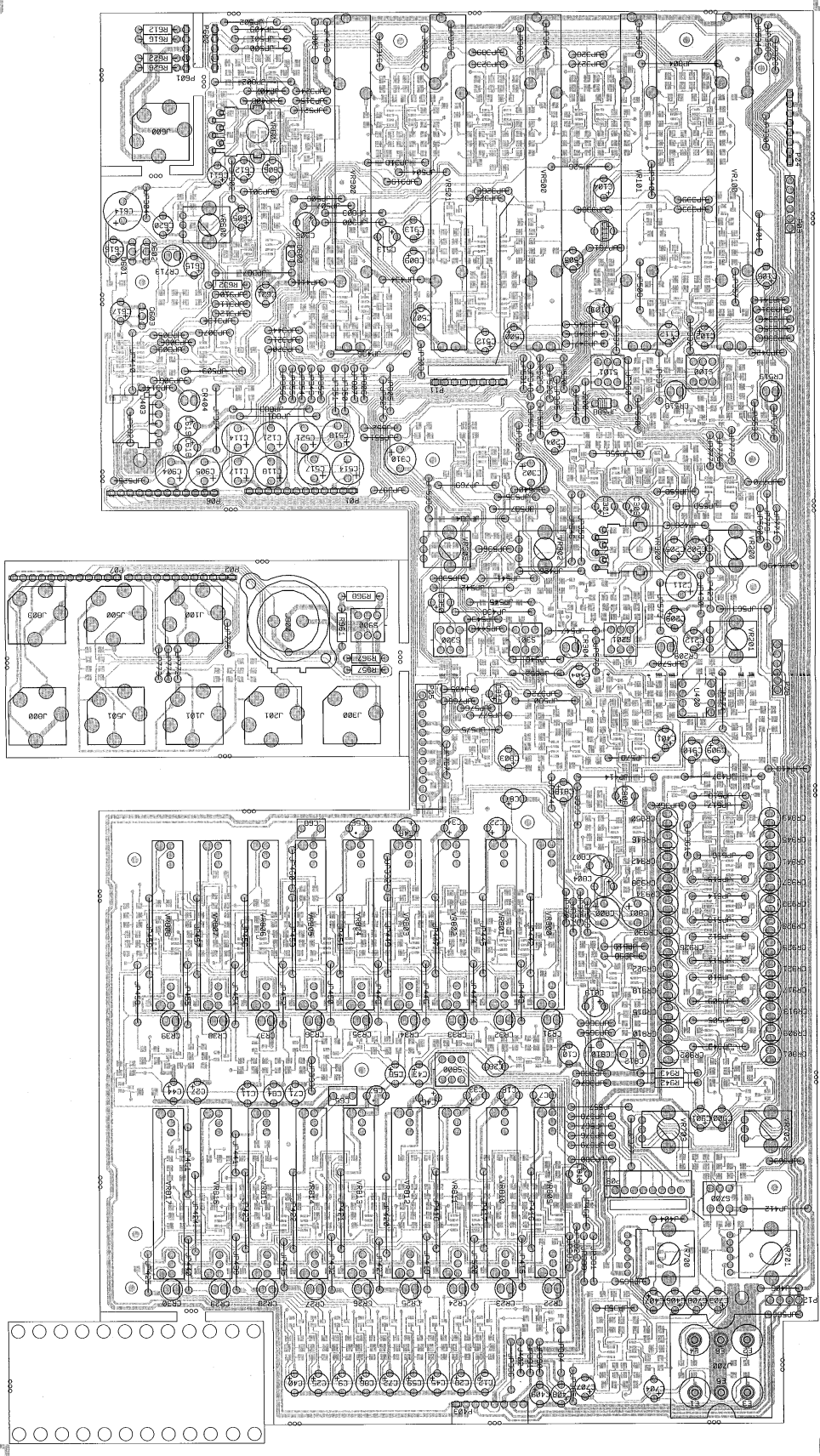
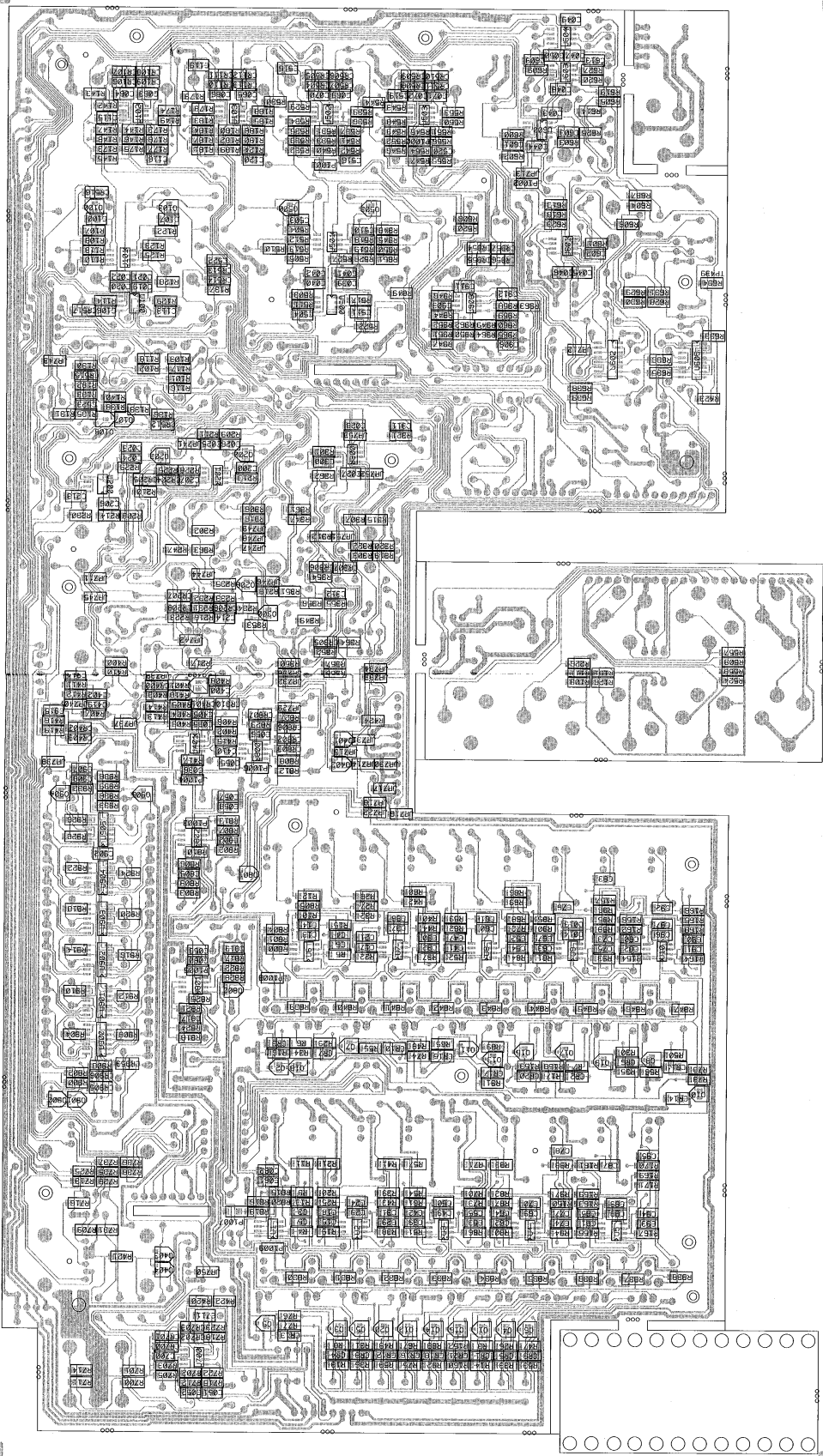


PART: RELAY ELECTRONICS COMP. 711 A UNIT
 TITLE: RELAY ELECTRONICS COMP. 711 A UNIT
 DRAWING NO.: 15-11000-000
 SHEET NO.: 15 OF 15
 DATE: 10-1-58

PART: RELAY ELECTRONICS COMP. 711 A UNIT
 TITLE: RELAY ELECTRONICS COMP. 711 A UNIT
 DRAWING NO.: 15-11000-000
 SHEET NO.: 15 OF 15
 DATE: 10-1-58

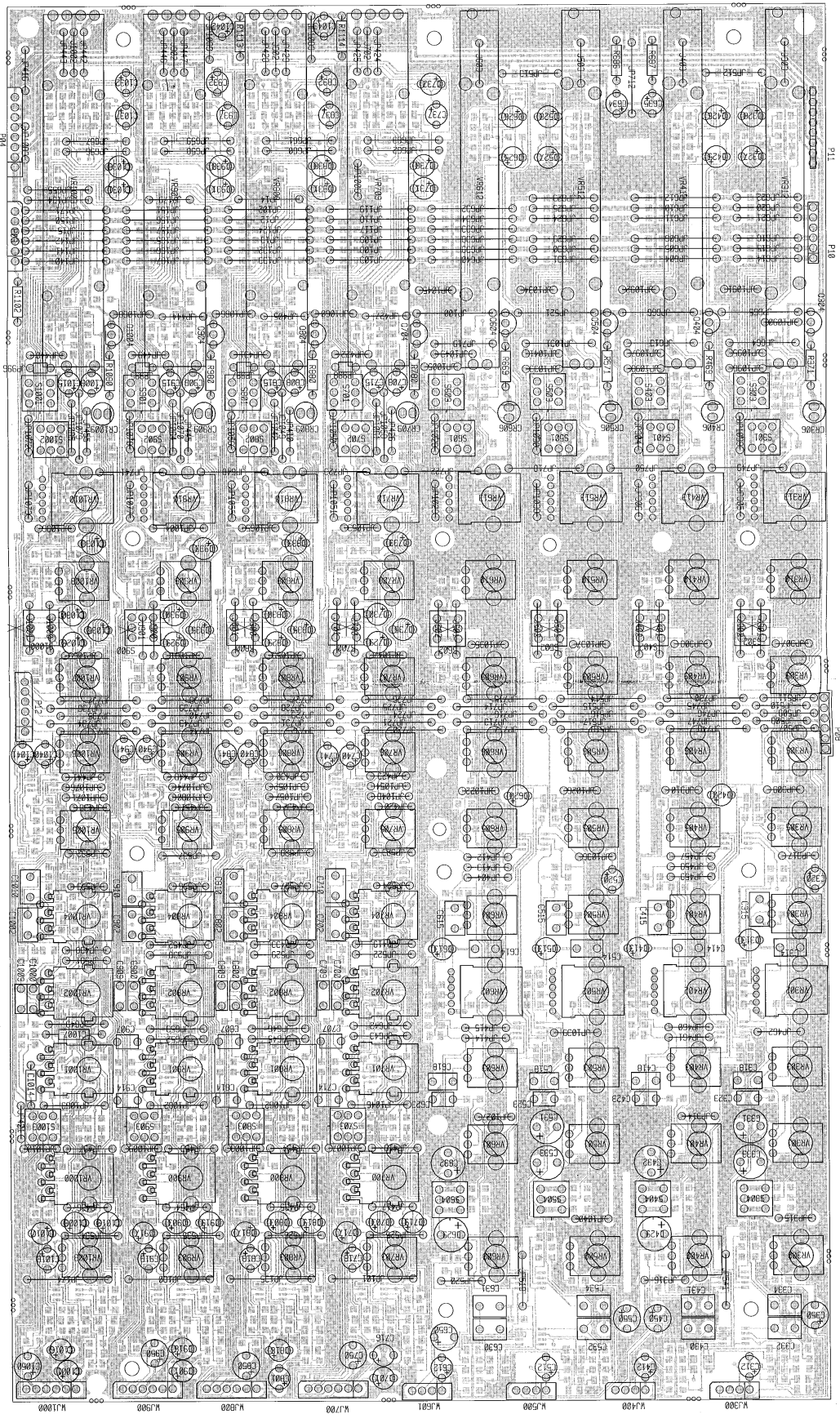


XR886 MASTER PRIMARY SIDE



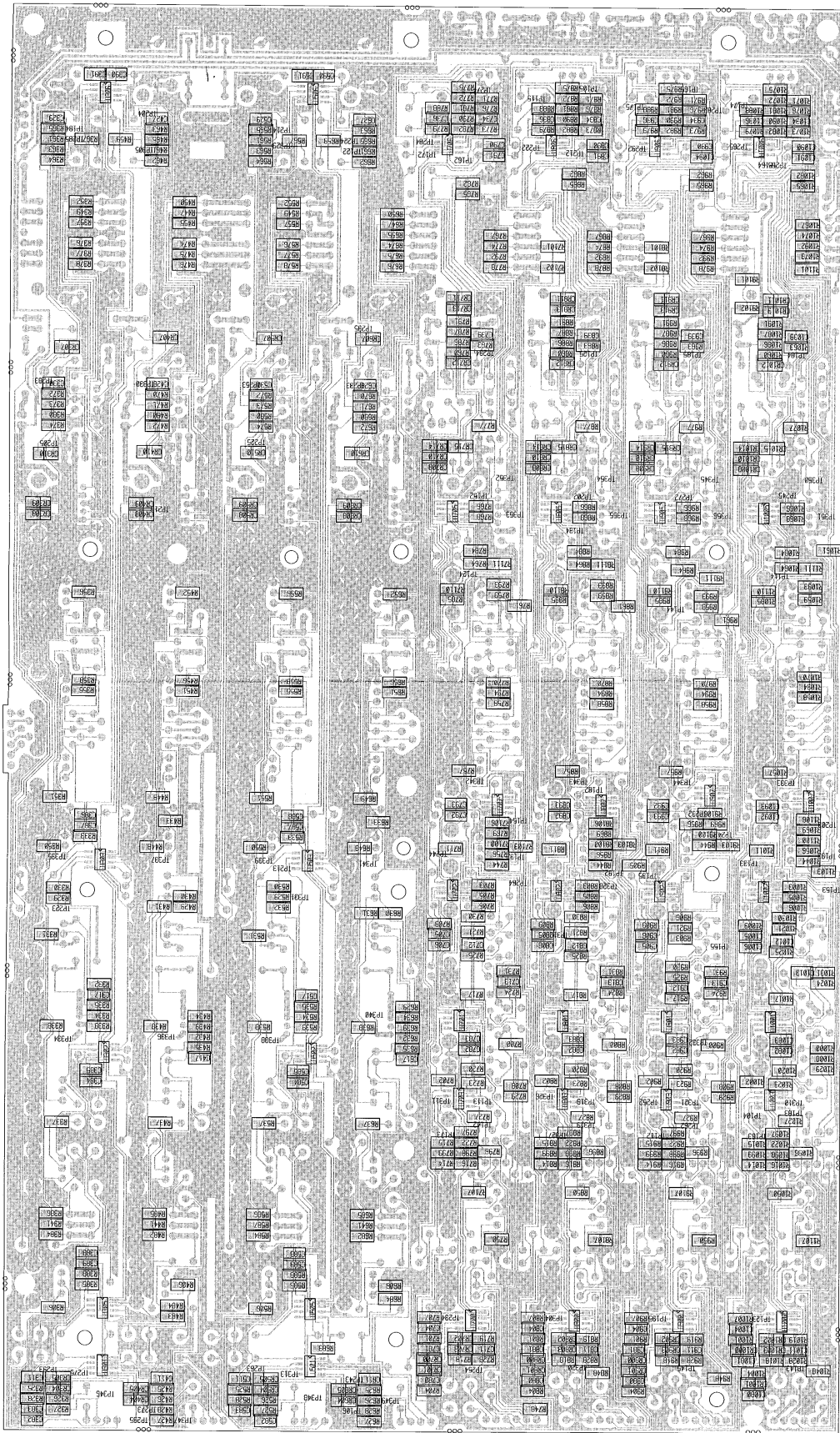
XR886 MASTER SECONDARY SIDE

PRIMARY SIDE

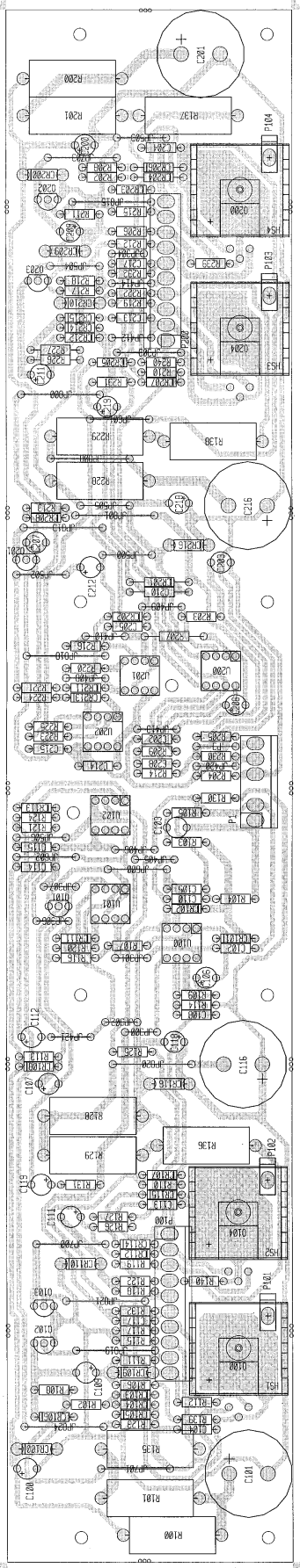


XR886 SPECIAL CHANNEL

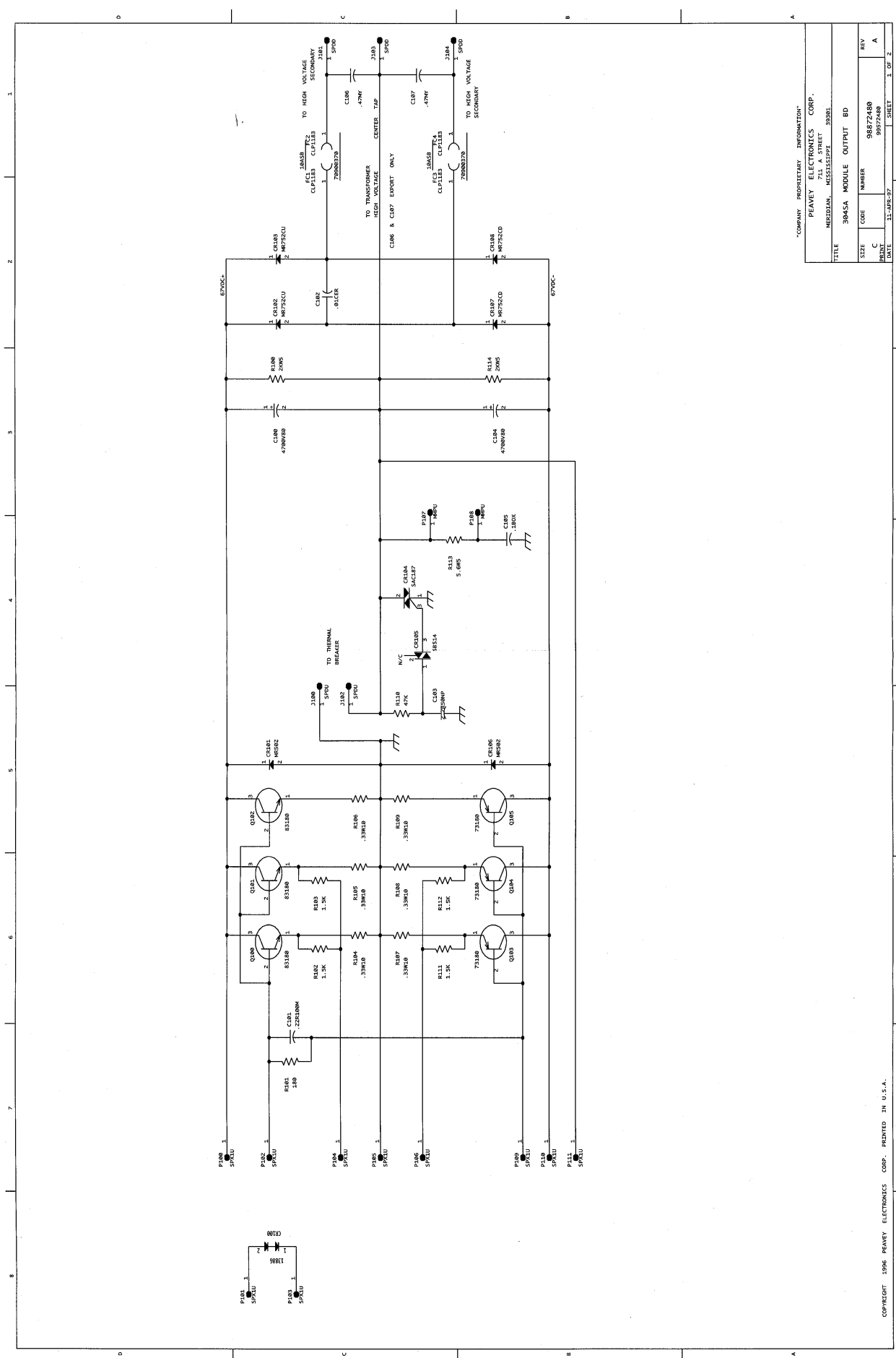
SECONDARY SIDE



XR886 SPECIAL CHANNEL



304SA DRIVE



COMPANY PROPRIETARY INFORMATION

PEAVEY ELECTRONICS CORP.
7777 MARKET STREET
MIDDLETOWN, MISSISSIPPI 39301

TITLE: 3945A MODULE OUTPUT BD

SIZE: C

DRAWN: C

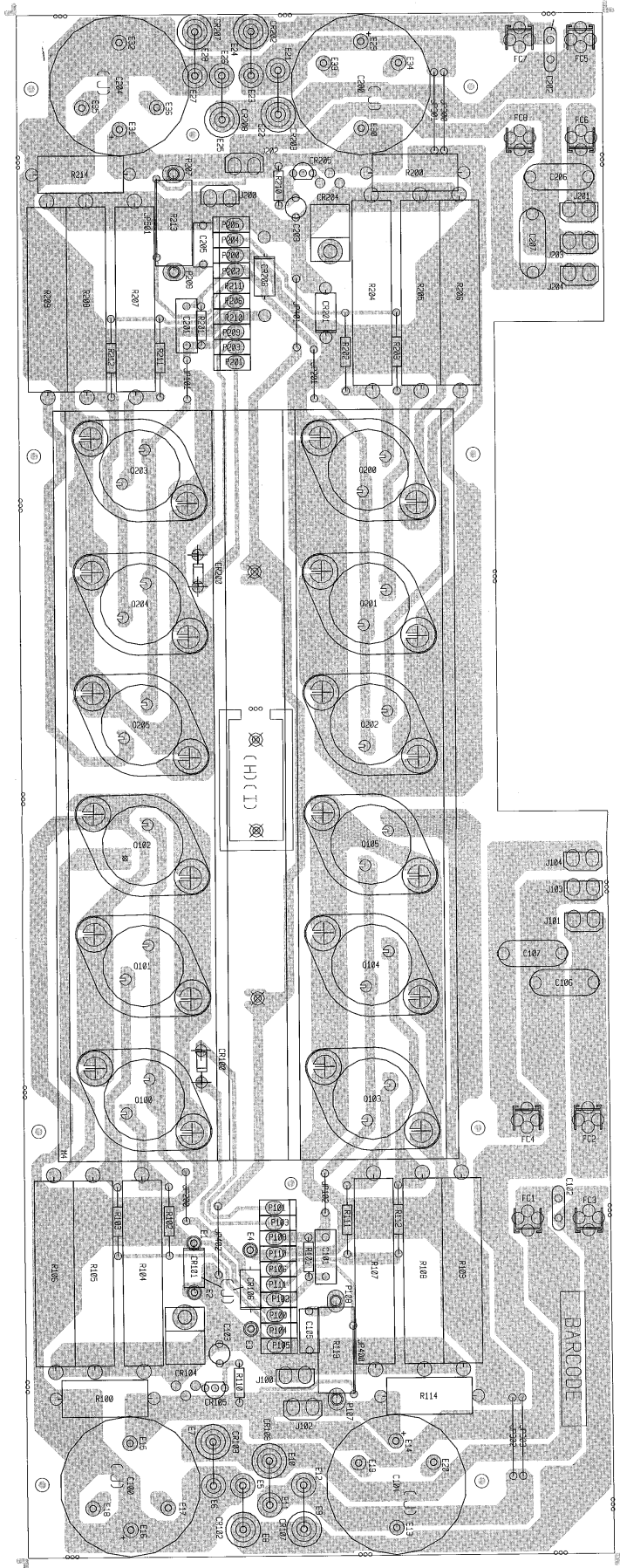
DATE: 11-20-57

REV: 98872480
98972480

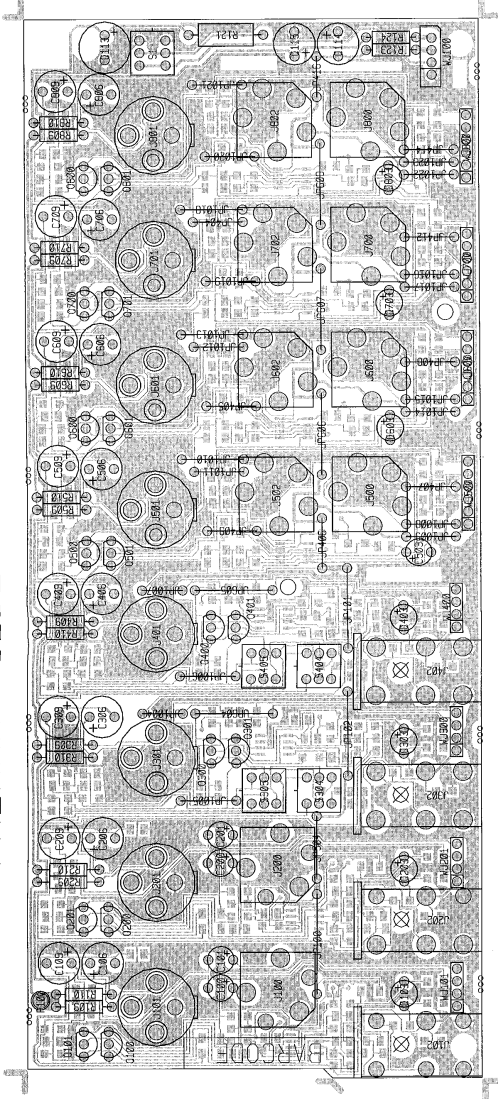
SHEET: 1 OF 2

COPYRIGHT 1956 PEAVEY ELECTRONICS CORP. PRINTED IN U.S.A.

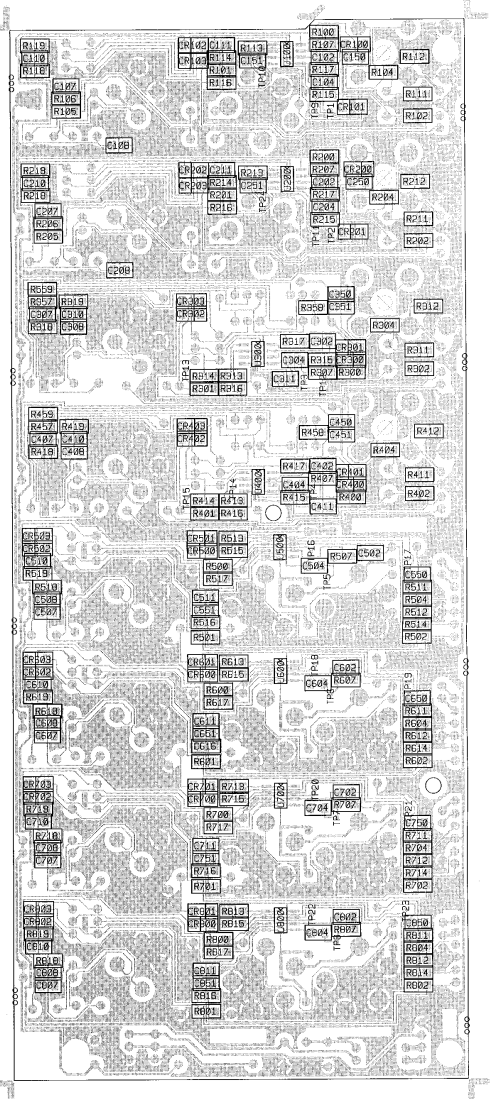
304SA Output



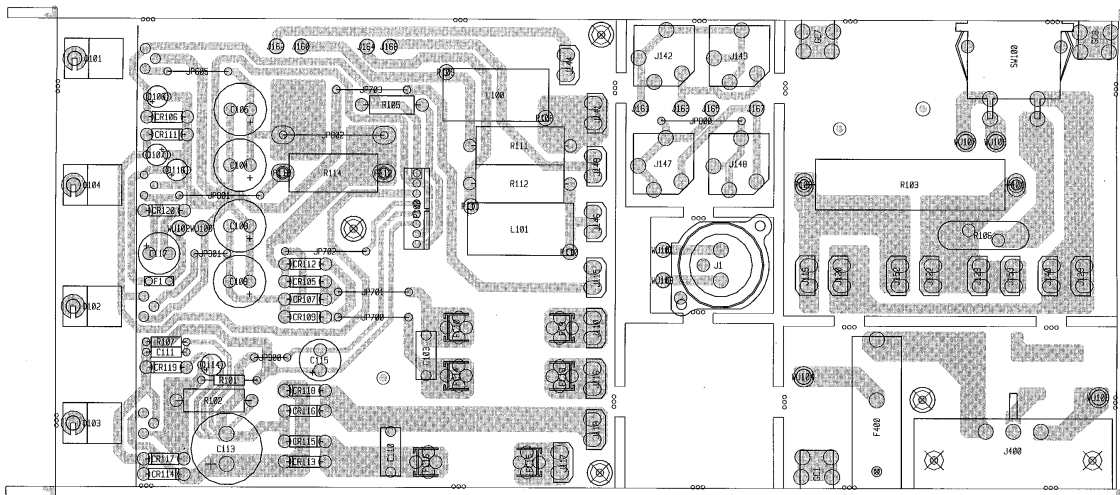
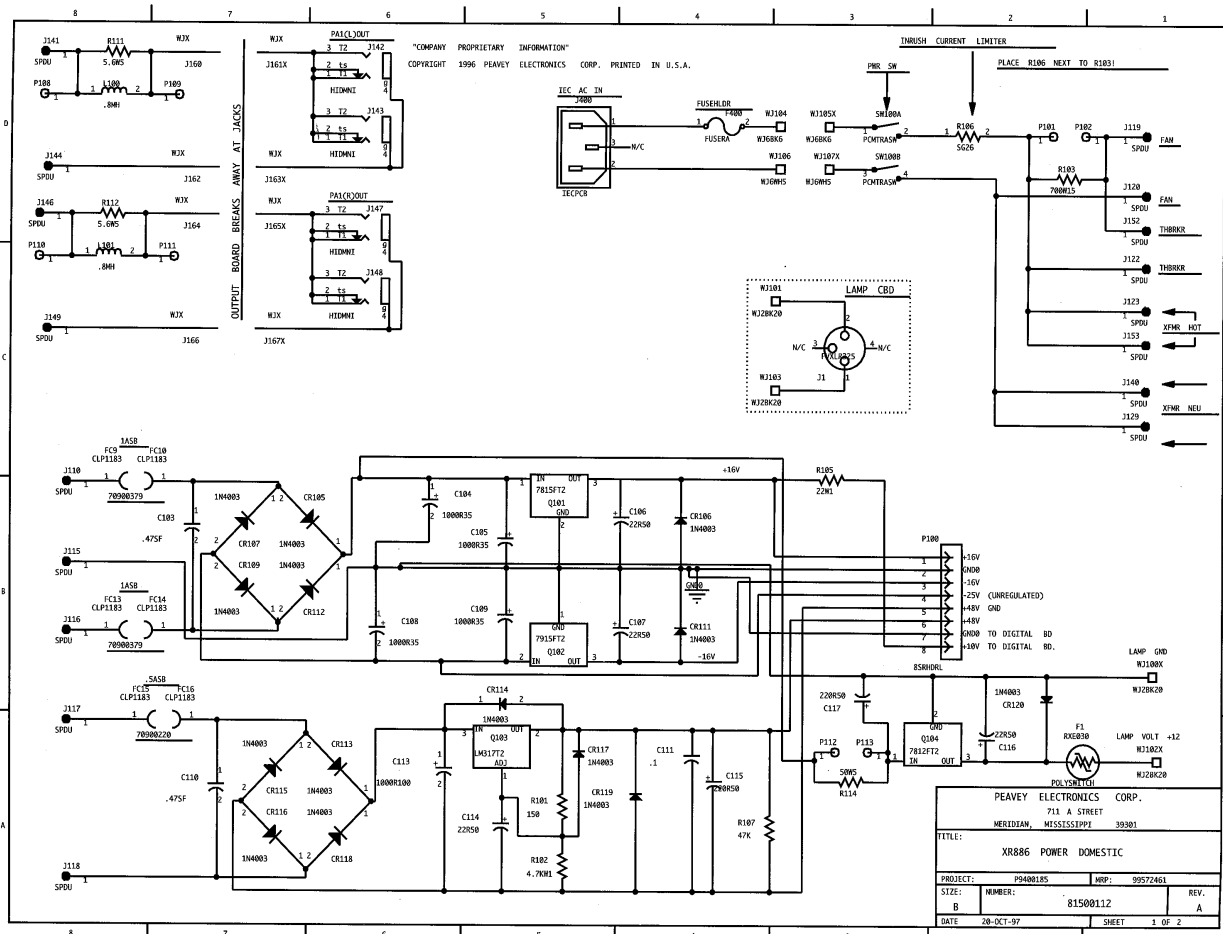
PRIMARY SIDE



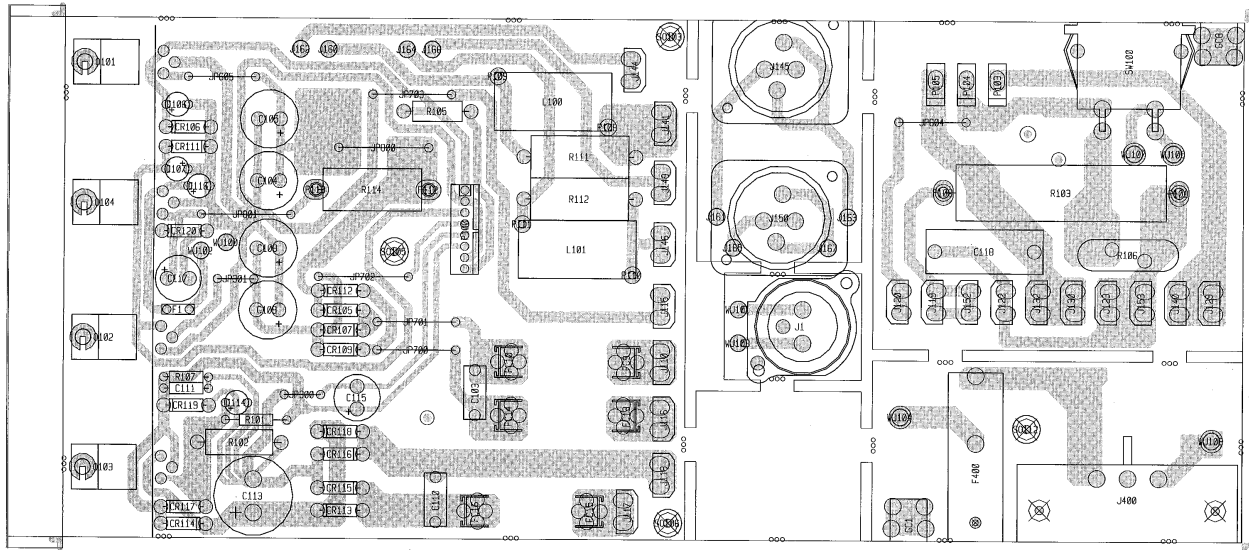
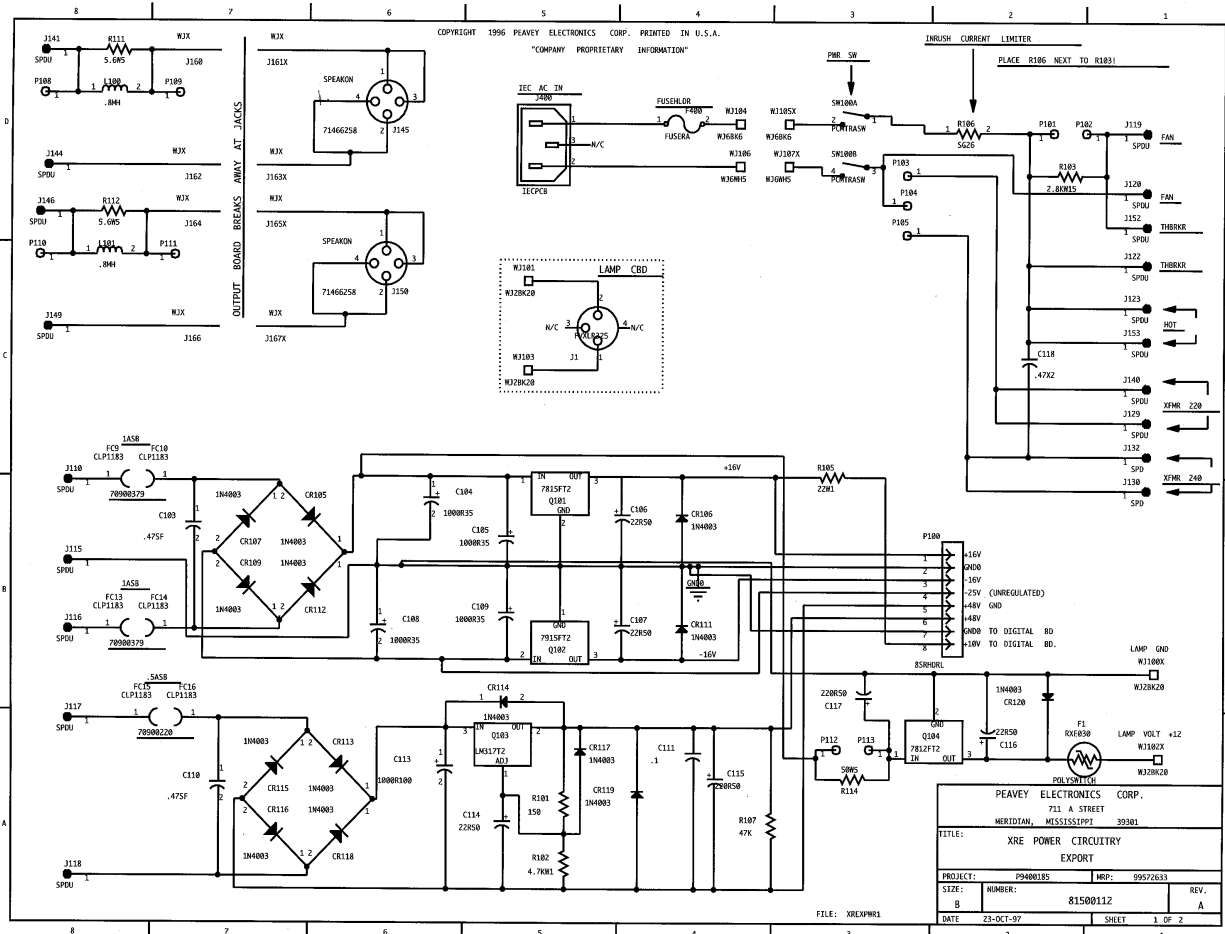
SECONDARY SIDE



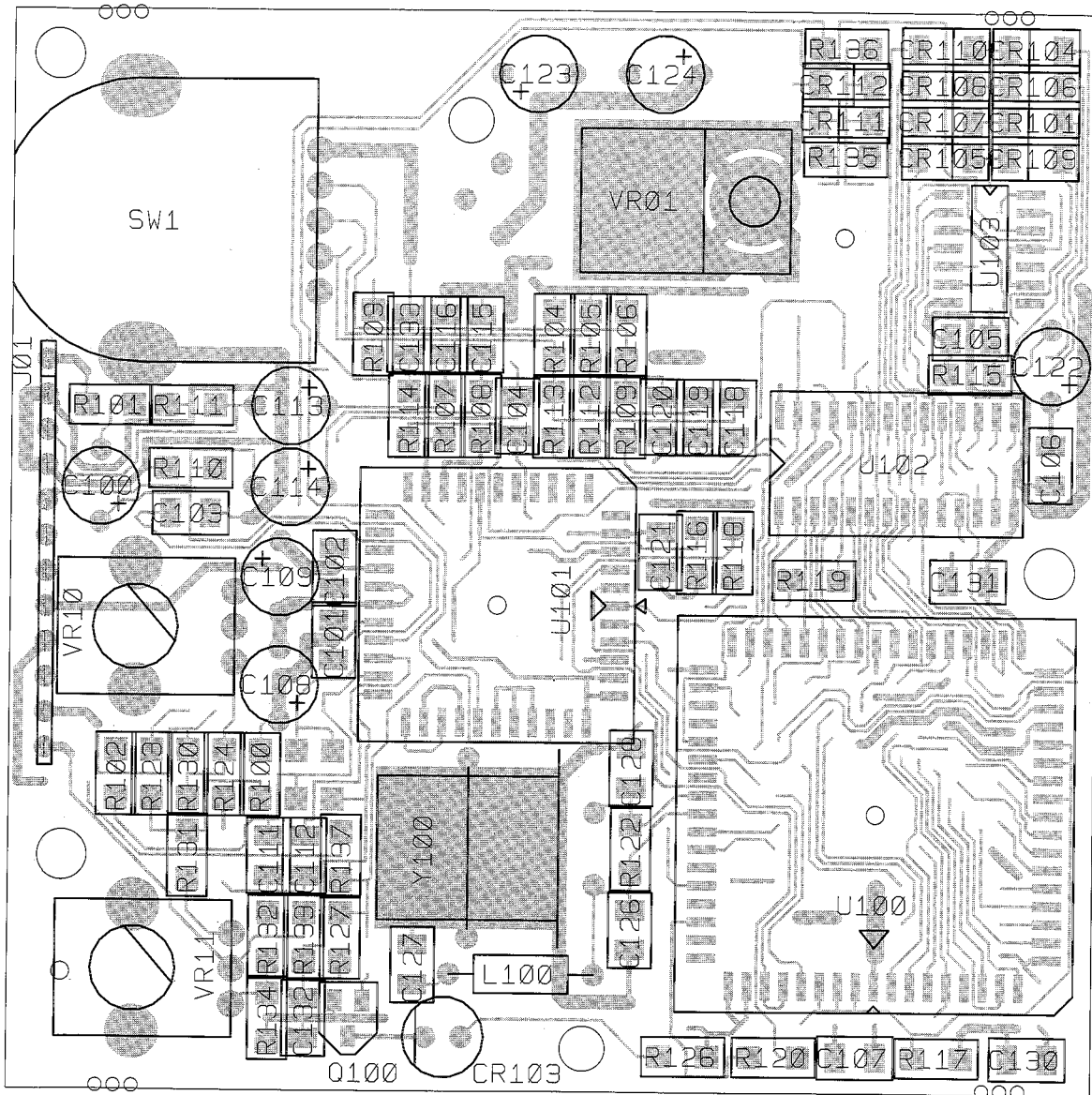
XR886 SPECIAL INPUT



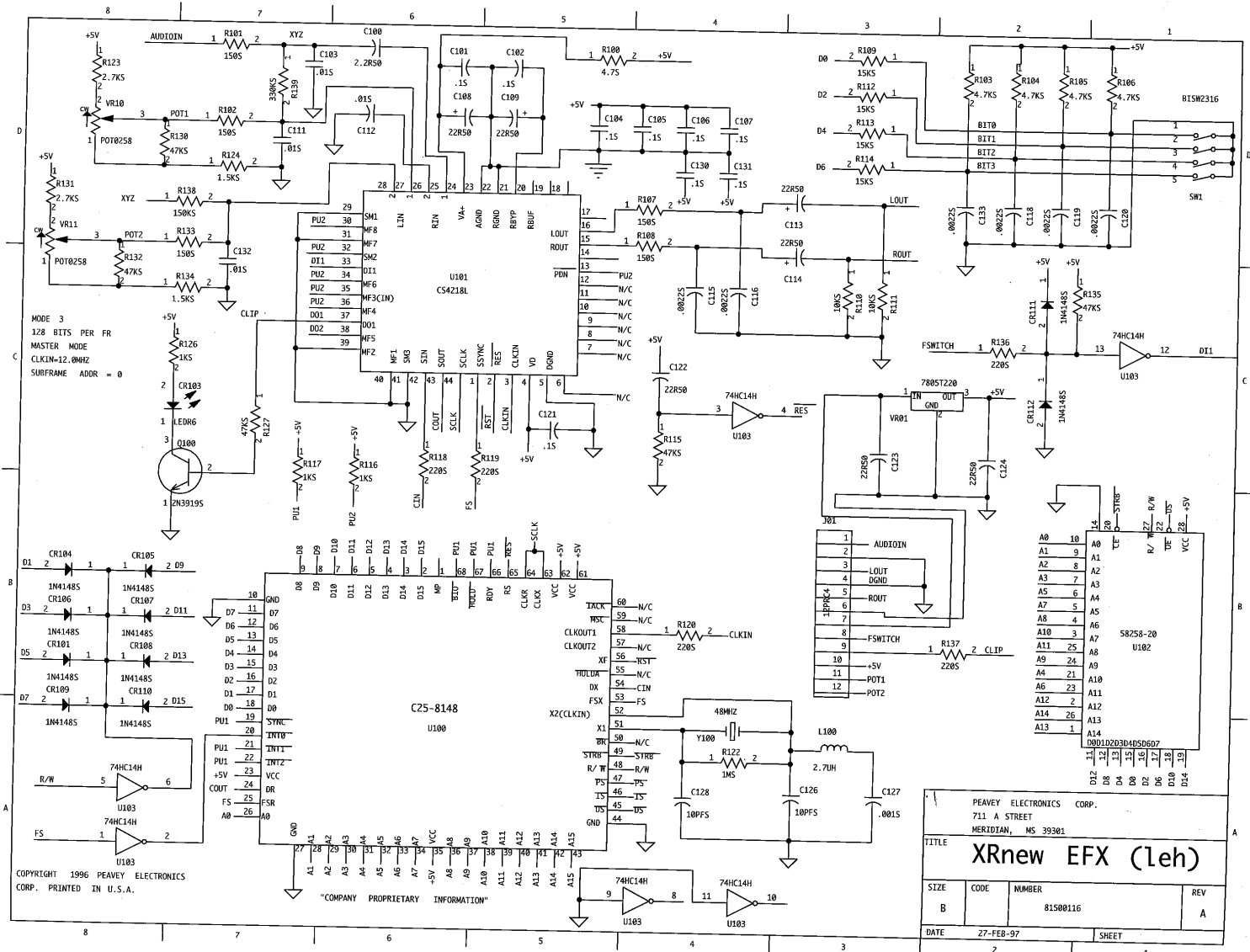
XR886 Power Supply (Domestic)



XR886 Power Supply (EXPORT)



XR-E DIGITAL REVERB



PEAVEY ELECTRONICS CORP.
 711 A STREET
 MERIDIAN, MS 39301

TITLE
 XRnew EFX (Leh)

| SIZE | CODE | NUMBER | REV |
|------|------|----------|-----|
| B | | 81500116 | A |

DATE 27-FEB-97 SHEET 1

COPYRIGHT 1996 PEAVEY ELECTRONICS
 CORP. PRINTED IN U.S.A.

COMPANY PROPRIETARY INFORMATION