

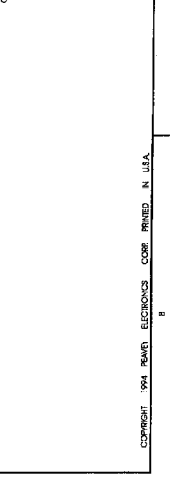
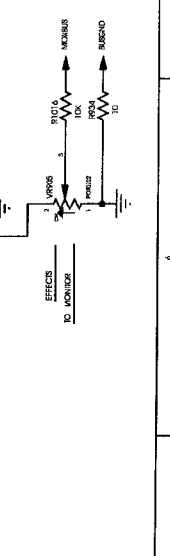
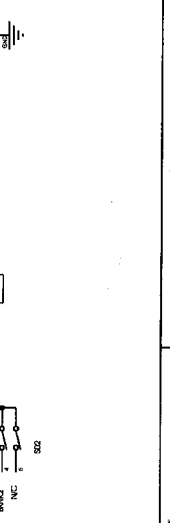
COMPANY PROPERTY INFORMATION

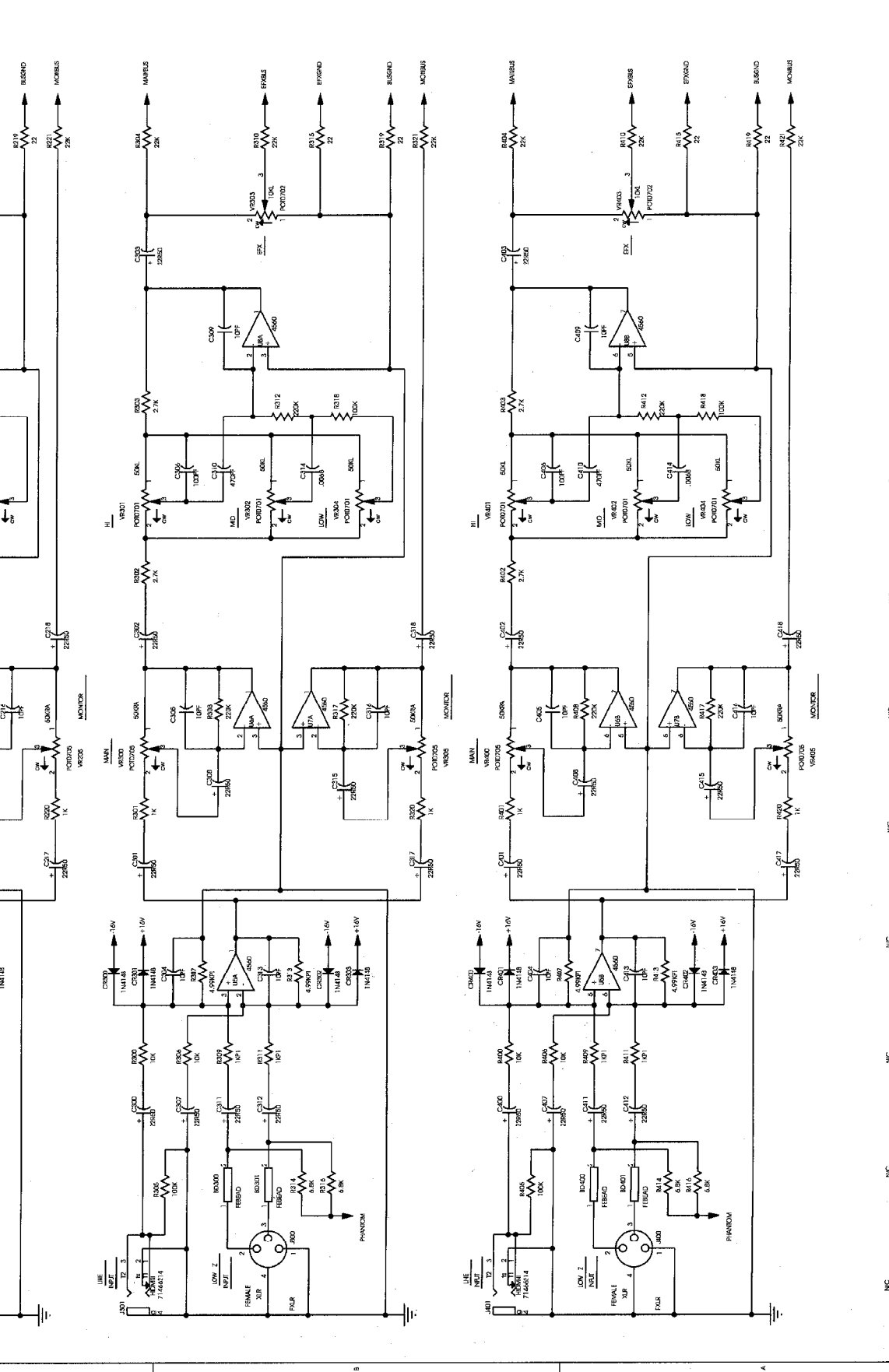
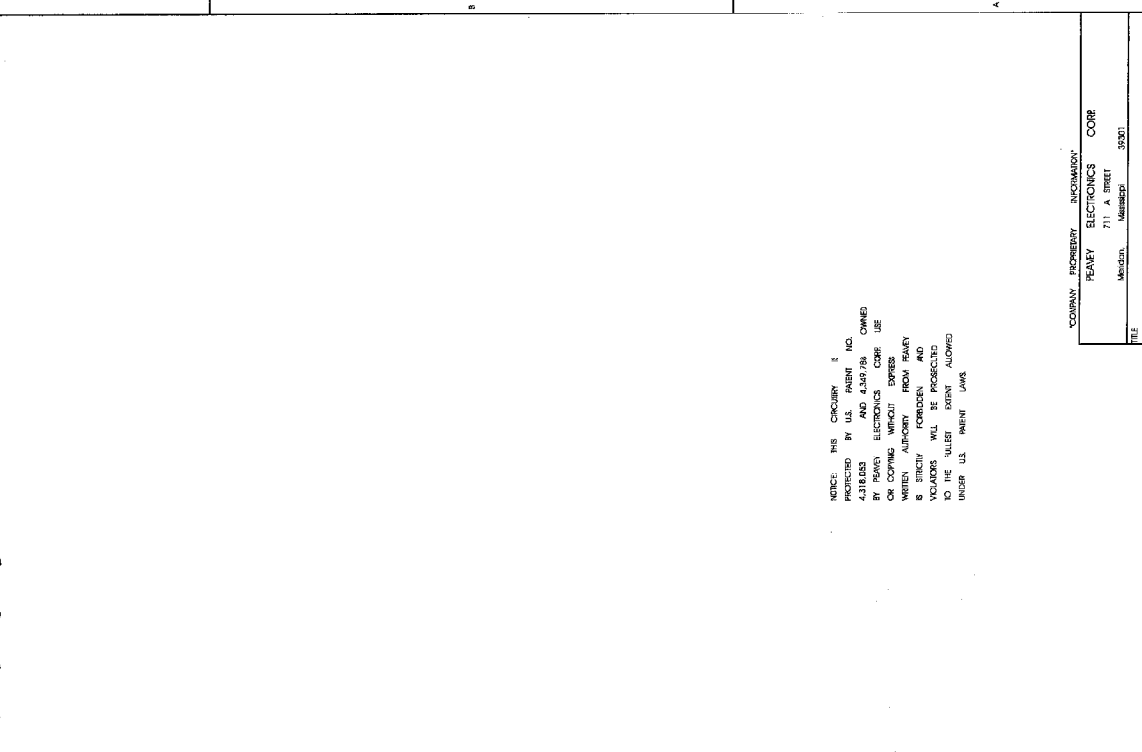
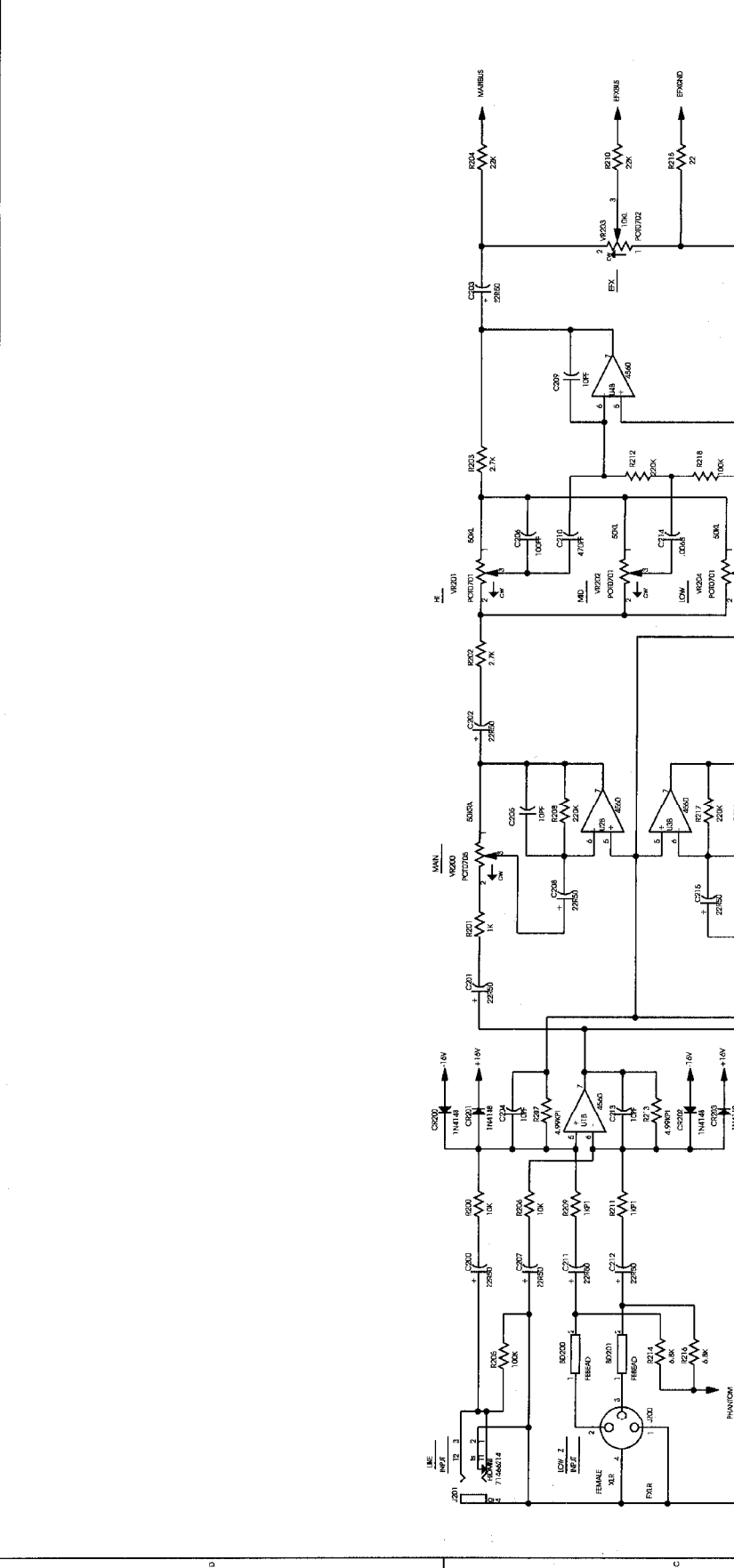
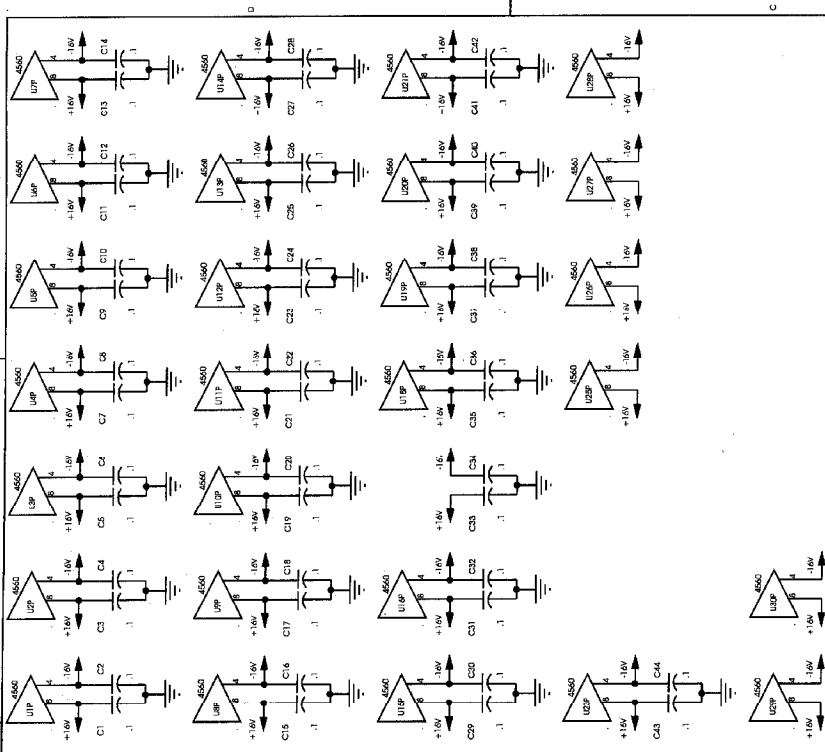
FRANK ELECTRONICS CORP.
71 A STREET
MAYWOOD, MASSACHUSETTS 01901

KEYBOARD PREAMP

REV	A
DATE	12/29/70
DESIGNER	PH98971
CODE	D
SIZE	10 1/2 X 14 1/2

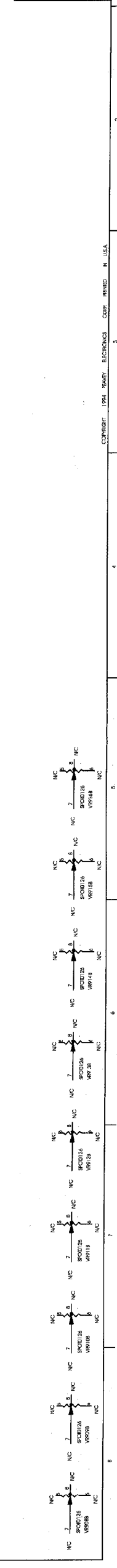
NOTICE: THE CIRCUITRY IS THE PROPERTY OF FRANK ELECTRONICS CORP. NO PARTS MAY BE REPRODUCED OR COPIED WITHOUT WRITTEN AUTHORITY FROM FRANK ELECTRONICS CORP. UNDER U.S. PATENT LAWS.



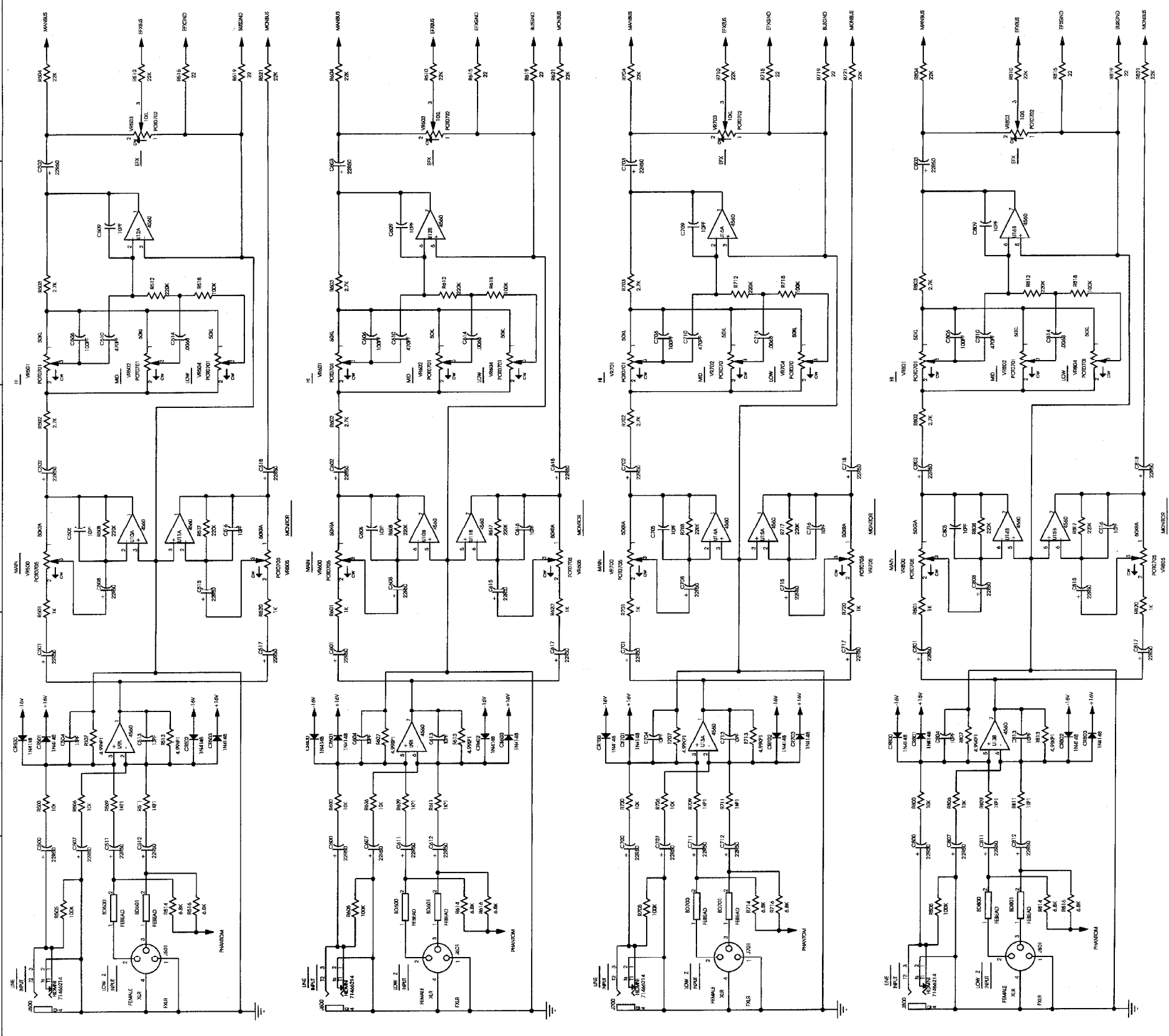


NOTES: THIS CIRCUITRY IS
 PROTECTED BY U.S. PATENT NO.
 4,318,825 AND 4,349,741 OWNED
 BY REARAY ELECTRONICS CORP. USE
 OR COPYING WITHOUT EXPRESS
 WRITTEN AUTHORITY FROM REARAY
 ELECTRONICS CORP. IS PROHIBITED
 AND WILL BE PROSECUTED
 TO THE FULL EXTENT OF THE LAW
 UNDER U.S. PATENT LAWS

CORP. PROPERTY INFORMATION	
REARAY ELECTRONICS CORP.	
711 A STREET	
MUSKOGEE, MISSISSIPPI 39001	
REV	NO. 0450 RECAMP
REV	NUMBER 9906971
REV	DATE 10/20/77
REV	SHEET 2 OF 3



THIS DRAWING IS
 PROTECTED BY U.S. PATENT NO. 3,116,833
 AND 4,197,788 OWNED
 BY PERMET ELECTRONICS CORP. NO
 ONE IS TO BE REPRODUCED OR
 COPIED WITHOUT EXPRESS
 WRITTEN AUTHORITY FROM PERMET
 ELECTRONICS CORP. ALL
 RIGHTS ARE RESERVED AND
 VIOLATIONS WILL BE PROSECUTED
 TO THE FULLEST POINT ALLOWED
 UNDER U.S. PATENT LAWS.



2	10K	10K	70240025	10K-1/4W-5%—CF-T&R R965, R966	1	POT0701	71190701	71190701	50KB 12MM HPC ROTARY POT W/DTT VR104
1	10	10	70240003	10—1/4W-5%—CF-T&R R967	2	POT0705	71190705	71190705	50KC REV AUD 15% HPC ROTARY VR105, VR200
1	18K	18K	70240028	18K-1/4W-5%—CF-T&R R968	2	POT0701	71190701	71190701	50KB 12MM HPC ROTARY POT W/DTT VR201, VR202
1	100K	100K	70240034	100K-1/4W-5%—CF-T&R R969	1	POT0702	71190702	71190702	10KB 12MM HPC ROTARY POT VR203
1	39K	39K	70240048	39K-1/4W-5%—CF-T&R R970	1	POT0701	71190701	71190701	50KB 12MM HPC ROTARY POT W/DTT VR204
1	47K	47K	70240031	47K-1/4W-5%—CF-T&R R971	2	POT0705	71190705	71190705	50KC REV AUD 15% HPC ROTARY VR205, VR300
1	20KP1	20KP1	70241040	20K-1/4W-1%—MF-T&R R972	2	POT0701	71190701	71190701	50KB 12MM HPC ROTARY POT W/DTT VR301, VR302
1	1.5K	1.5K	70240018	1.5K-1/4W-5%—CF-T&R R973	1	POT0702	71190702	71190702	10KB 12MM HPC ROTARY POT VR303
1	5.62KP1	5.62KP1	70241008	5.62K-1/4W-1%—MF-T&R R974	1	POT0701	71190701	71190701	50KB 12MM HPC ROTARY POT W/DTT VR304
1	20KP1	20KP1	70241040	20K-1/4W-1%—MF-T&R R979	2	POT0705	71190705	71190705	50KC REV AUD 15% HPC ROTARY VR305, VR400
1	10K	10K	70240025	10K-1/4W-5%—CF-T&R R981	2	POT0701	71190701	71190701	50KB 12MM HPC ROTARY POT W/DTT VR401, VR402
1	1.5K	1.5K	70240018	1.5K-1/4W-5%—CF-T&R R982	1	POT0702	71190702	71190702	10KB 12MM HPC ROTARY POT VR403
1	2.7K	2.7K	70240021	2.7K-1/4W-5%—CF-T&R R983	1	POT0701	71190701	71190701	50KB 12MM HPC ROTARY POT W/DTT VR404
1	18K	18K	70240028	18K-1/4W-5%—CF-T&R R984	2	POT0705	71190705	71190705	50KC REV AUD 15% HPC ROTARY VR405, VR500
1	150K	150K	70240035	150K-1/4W-5%—CF-T&R R985	2	POT0701	71190701	71190701	50KB 12MM HPC ROTARY POT W/DTT VR501, VR502
1	22K	22K	70240029	22K-1/4W-5%—CF-T&R R986	1	POT0702	71190702	71190702	10KB 12MM HPC ROTARY POT VR503
1	75KP1	75KP1	70241032	75K-1/4W-1%—MF-T&R R987	1	POT0701	71190701	71190701	50KB 12MM HPC ROTARY POT W/DTT VR504
1	100	100	70240010	100-1/4W-5%—CF-T&R R988	2	POT0705	71190705	71190705	50KC REV AUD 15% HPC ROTARY VR505, VR600
1	39K	39K	70240048	39K-1/4W-5%—CF-T&R R989	2	POT0701	71190701	71190701	50KB 12MM HPC ROTARY POT W/DTT VR601, VR602
1	1.5K	1.5K	70240018	1.5K-1/4W-5%—CF-T&R R990	1	POT0702	71190702	71190702	10KB 12MM HPC ROTARY POT VR603
1	22	22	70240007	22—1/4W-5%—CF-T&R R991	1	POT0701	71190701	71190701	50KB 12MM HPC ROTARY POT W/DTT VR604
1	18	18	70240006	18—1/4W-5%—CF-T&R R992	2	POT0705	71190705	71190705	50KC REV AUD 15% HPC ROTARY VR605, VR700
2	47K	47K	70240031	47K-1/4W-5%—CF-T&R R993, R994	2	POT0701	71190701	71190701	50KB 12MM HPC ROTARY POT W/DTT VR701, VR702
1	10K	10K	70240025	10K-1/4W-5%—CF-T&R R995	1	POT0702	71190702	71190702	10KB 12MM HPC ROTARY POT VR703
1	150	150	70240001	150-1/4W-5%—CF-T&R R996	1	POT0701	71190701	71190701	50KB 12MM HPC ROTARY POT W/DTT VR704
1	39K	39K	70240048	39K-1/4W-5%—CF-T&R R997	2	POT0705	71190705	71190705	50KC REV AUD 15% HPC ROTARY VR705, VR800
1	100	100	70240010	100-1/4W-5%—CF-T&R R998	2	POT0701	71190701	71190701	50KB 12MM HPC ROTARY POT W/DTT VR801, VR802
1	10K	10K	70240025	10K-1/4W-5%—CF-T&R R999	1	POT0702	71190702	71190702	10KB 12MM HPC ROTARY POT VR803
1	20KP1	20KP1	70241040	20K-1/4W-1%—MF-T&R R1000	1	POT0701	71190701	71190701	50KB 12MM HPC ROTARY POT W/DTT VR804
1	1.5K	1.5K	70240018	1.5K-1/4W-5%—CF-T&R R1001	2	POT0705	71190705	71190705	50KC REV AUD 15% HPC ROTARY VR805, VR900
1	2.2K	2.2K	70240020	2.2K-1/4W-5%—CF-T&R R1003	3	POT0703	71190703	71190703	10KA 12MM HPC ROTARY POT VR901, VR902, VR903
1	5.62KP1	5.62KP1	70241008	5.62K-1/4W-1%—MF-T&R R1004	2	POT0702	71190702	71190702	10KB 12MM HPC ROTARY POT VR904, VR905
1	20KP1	20KP1	70241040	20K-1/4W-1%—MF-T&R R1008	2	POT0703	71190703	71190703	10KA 12MM HPC ROTARY POT VR906, VR907
1	10K	10K	70240025	10K-1/4W-5%—CF-T&R R1010	9	SPOT0126	71190126	71190126	50KXK2 30MM SLIDER W/DTT&TAP VR908, VR909, VR910, VR911, VR912, VR913, VR914, VR915, VR916
1	1.5K	1.5K	70240018	1.5K-1/4W-5%—CF-T&R R1011	*****				
1	2.7K	2.7K	70240021	2.7K-1/4W-5%—CF-T&R R1014					
2	10K	10K	70240025	10K-1/4W-5%—CF-T&R R1015, R1016					
1	2.2K	2.2K	70240020	2.2K-1/4W-5%—CF-T&R R1017					
2	4.7K	4.7K	70240023	4.7K-1/4W-5%—CF-T&R R1018, R1019					
1	1.5K	1.5K	70240018	1.5K-1/4W-5%—CF-T&R R1020					
1	22K	22K	70240029	22K-1/4W-5%—CF-T&R R1021					
1	SUZPP	SUZPP	71322251	SUZ P/P SWITCH PC MOUNT S1					
2	BISW2316	BISW2316	71322316	BINARY ROTARY SWITCH S01, S02					
2	SP15MM	SP15MM	73717121	.045-SQ-WIRE-PIN-3/4LG SP01, SP02, SP03, SP04, SP05, SP06, SP07, SP08, SP09, SP10, SP11, SP12					
7	4560	4560	70414560	4560 DUAL OP AMP IC U1, U2, U3, U4, U5, U6, U7, U8, U9, U11, U12, U13, U14, U15, U16, U18, U20, U21, U23, U25, U26, U27, U28, U30, U10, U19, U29					
1	POT0705	71190705	71190705	50KC REV AUD 15% HPC ROTARY VR100					
2	POT0701	71190701	71190701	50KB 12MM HPC ROTARY POT W/DTT VR101, VR102					
1	POT0702	71190702	71190702	10KB 12MM HPC ROTARY POT VR103					