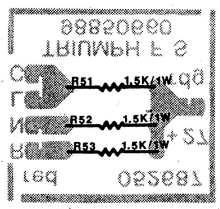
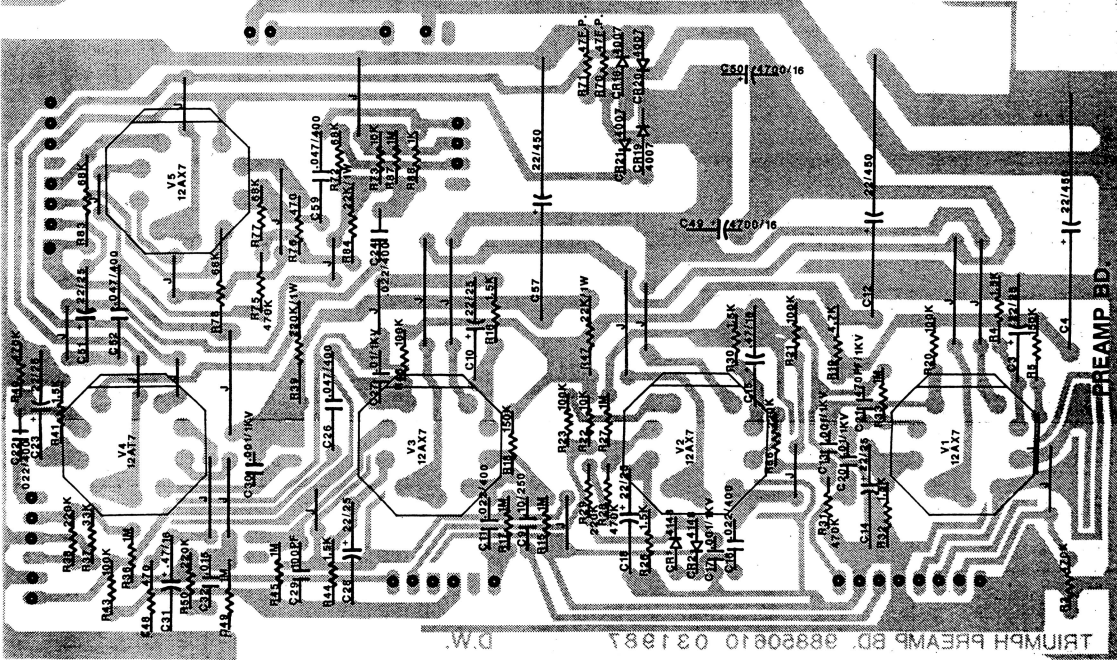


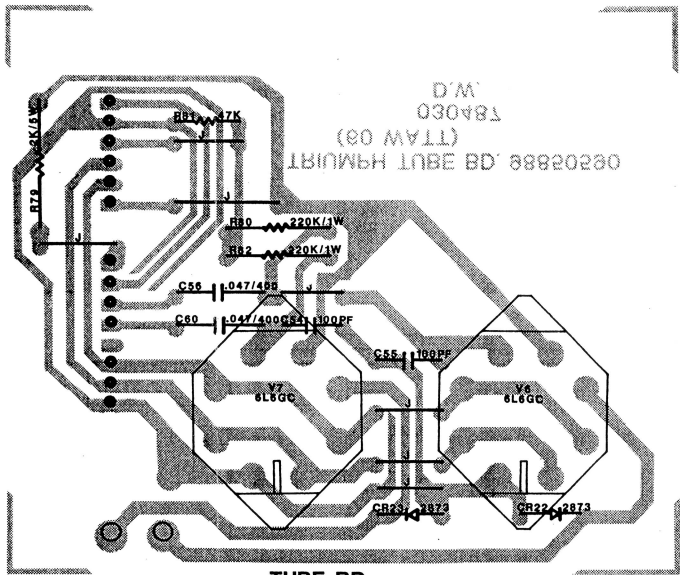
NOTES:
 ALL RESISTORS 1/4W UNLESS NOTED
 ALL RESISTORS IN OHM UNLESS NOTED
 ALL PARTS ARE LINEAR UNLESS NOTED
 ALL CAPACITORS IN MFD UNLESS NOTED
 ALL DIMS IN INCH UNLESS NOTED
 VOLTAGES MAY VARY FROM UNIT TO UNIT
 LIST REFERENCE DESIGNATION USED:
 R = RESISTOR 120W AMP ONLY
 C = CAPACITOR 120W AMP ONLY
 V = DIODES 120W AMP ONLY

TRIUMPH 60/120
 SINGLE UNIT & TOP BOX VERSIONS
 POWER SUPPLY BD. #98850561 (3-22-88)
 SWM TUBE BD. #9885050 (3-4-87)
 120W TUBE BD. #9885050 (3-4-87)
 T2 PREAMP BD. #9885052 (3-15-87)
 CONTROL BD. #9885052 (4-13-88)
 FOOTSWITCH BD. #9885056 (5-28-87)

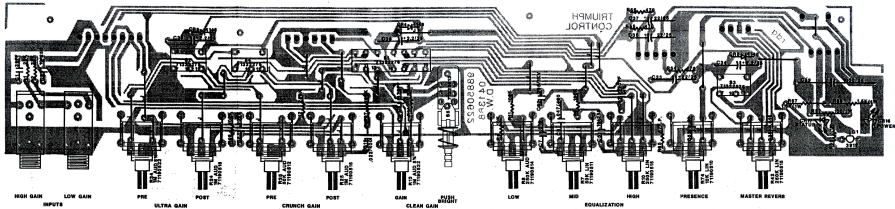
PEAVEY ELECTRONICS CORP.
 711 A ST.
 WESTLAWN, MS
 DRAWN BY: J. H. H. DATE: 8-15-88
 C. B. CH. 4/11
 C. B. CH. 4/11
 APPR. BY: [Signature]



FOOTSWITCH BD.

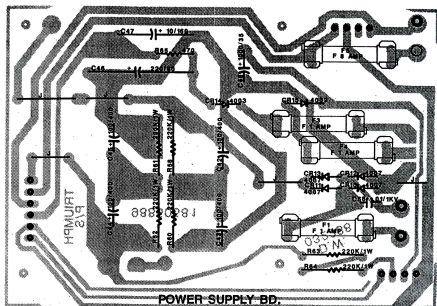
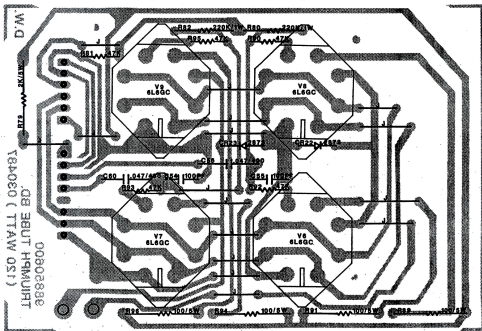


TUBE BD.
(60 WATT ONLY)



CONTROL BD.

POWER TUBE BD 120 WATT



POWER SUPPLY BD.