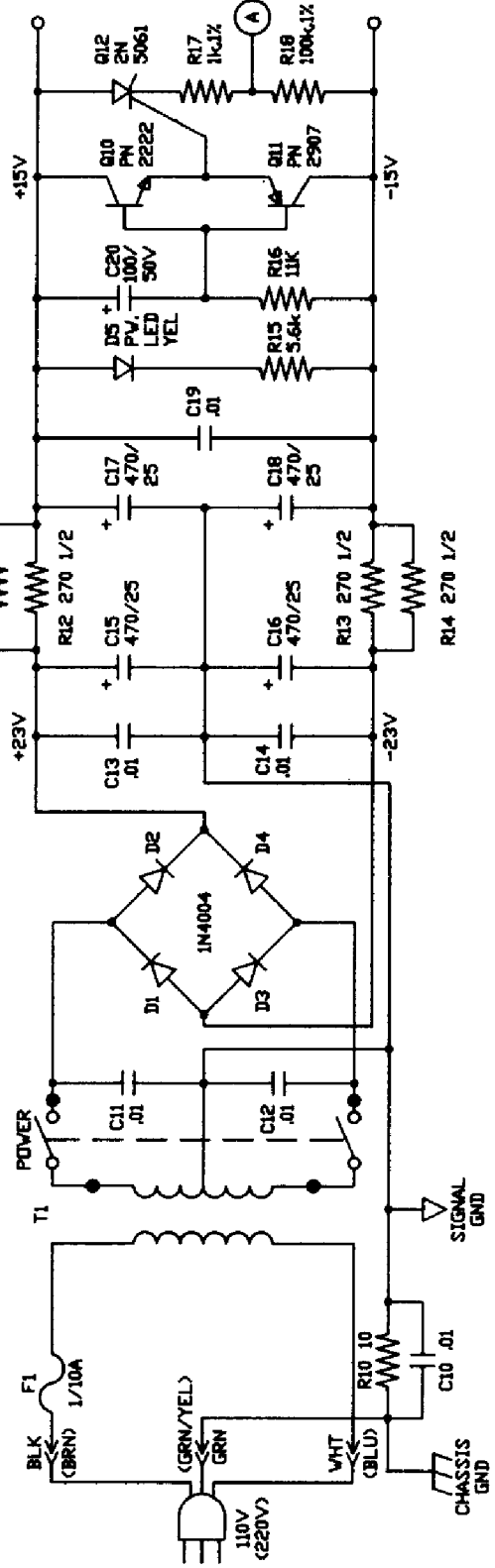


CH.1

# Z2 FOR CH'S 3&4

POWER SUPPLY



NOTES (UNLESS OTHERWISE NOTED)

- 1. CH1 SHOWN, CH2-4 ARE IDENTICAL
- 2. CH0 PREFIX 100 SERIES
- 3. CH0 PREFIX 200 SERIES
- 4. CH0 PREFIX 300 SERIES
- 5. CH0 PREFIX 400 SERIES
- 6. COMMON PARTS: 0-99 SERIES
- 7. ALL SV'S SHOWN IN THEIR 'OUT' OR 'OFF' POSITIONS.
- 8. CH'S 2&4 PIN NO'S SHOWN IN PARENTHESES.
- 9. Z101-Z401, Z102-Z402 ARE 4156 OR EQUAL
- 10. Z122 ARE LF353 OR EQUAL
- 11. QUADS PIN 4, DUALS PIN 8 ARE +V
- 12. QUADS PIN 11, DUALS PIN 4 ARE -V
- 13. ALL RES 1/4W, 5% CF
- 14. ALL 1% RES METAL FILM
- 15. ALL CAPS 100V POLY

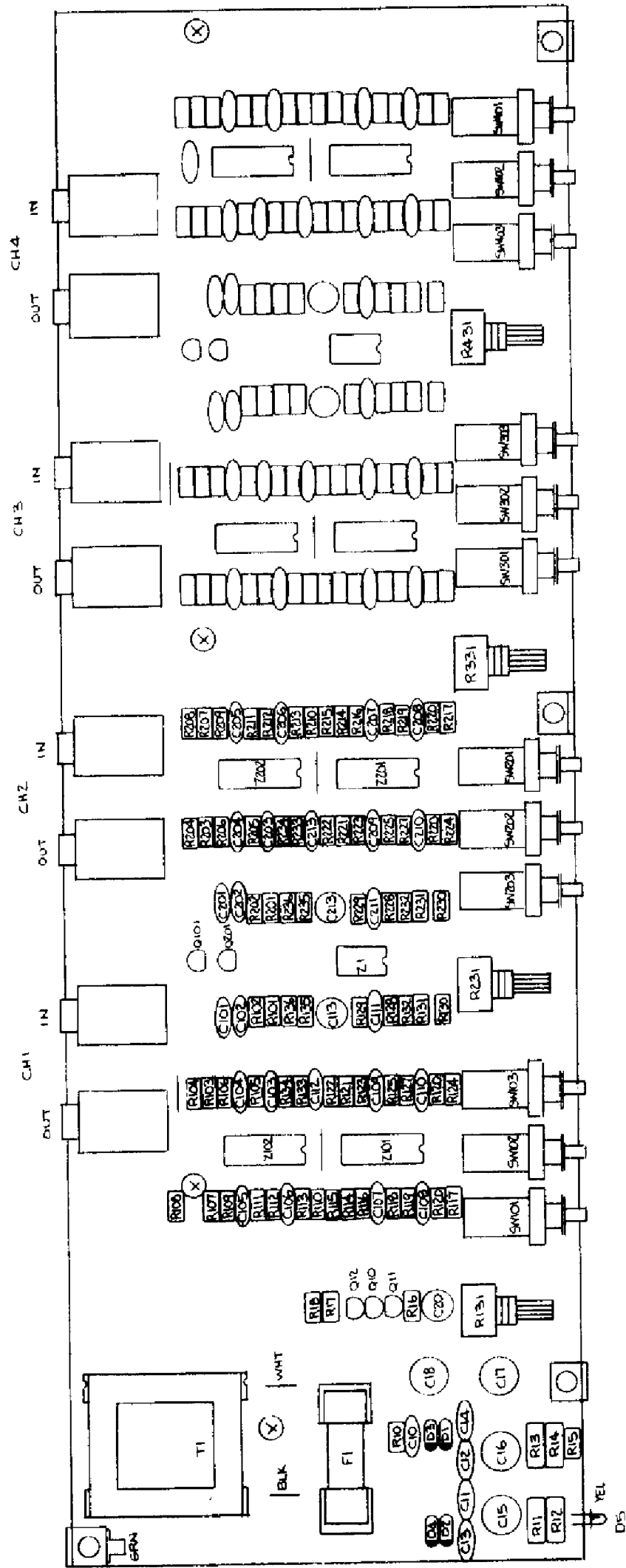


TITLE CD 48 SCHEMATIC

DRV. NO. 521-014

REV. C

CORP. 6510 216th S.V. MOUNTLAKE TERRACE  
VA 98043 (206) 774-7309



QTY REQD	CODE IDENT	PART OR IDENTIFYING NO.	NOMENCLATURE OR DESCRIPTION
PARTS LIST			

UNLESS OTHERWISE SPECIFIED DIMENSIONS ARE IN INCHES TOLERANCES ARE:		CONTRACT NO.	
FRACTIONS	DECIMALS	ANGLES	DATE
±	.XX ±	±	1. JAN 65
	.XXX ±		DRAWN
			APPROVALS
			SEB

RANE COP

MATERIAL