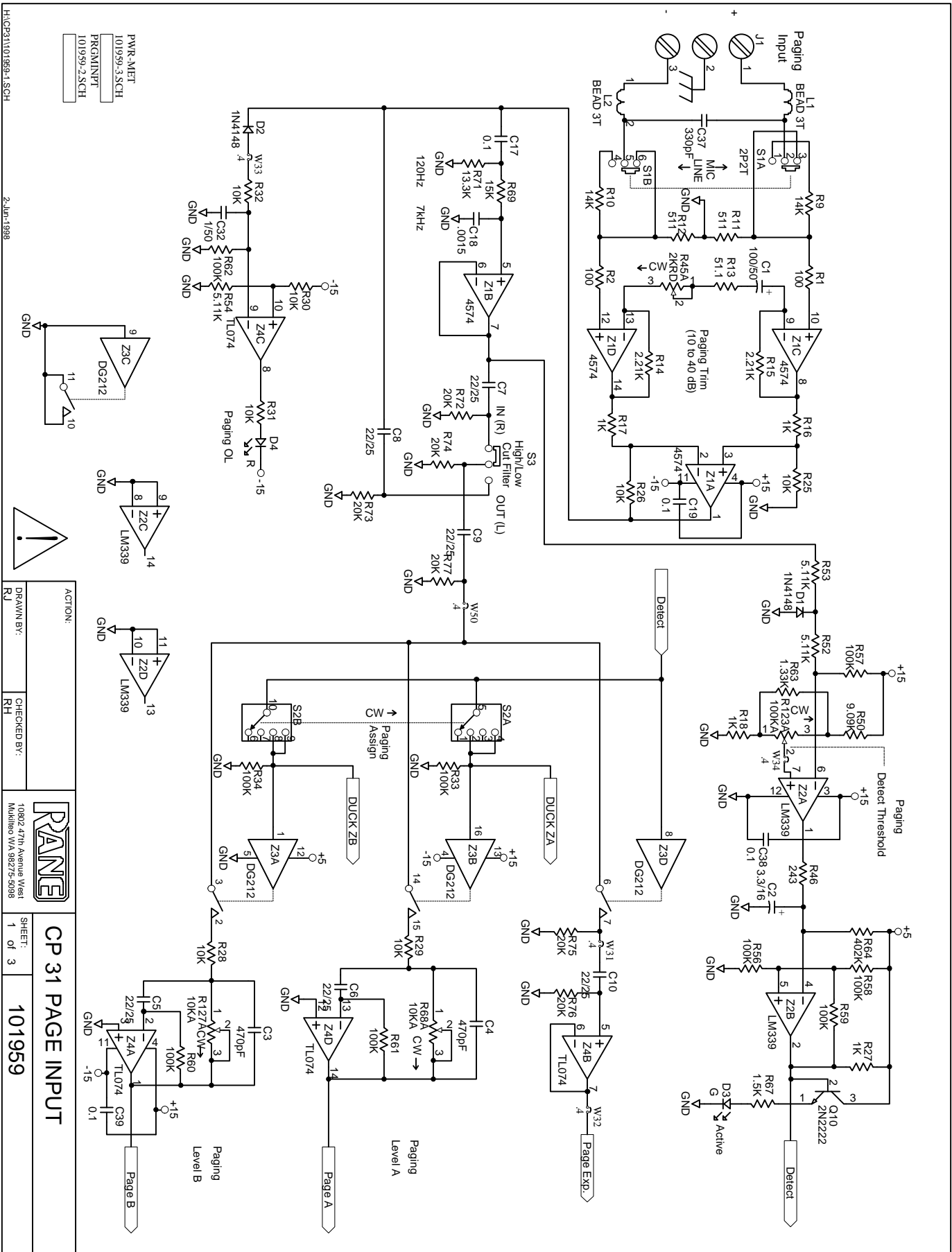


PWR-MET
101959-3.SCH
PRGMINPT
101959-2.SCH



ACTION:

DRAWN BY:	RAJ
CHECKED BY:	RH

10802 47th Avenue West
Maple WA 98275-5038

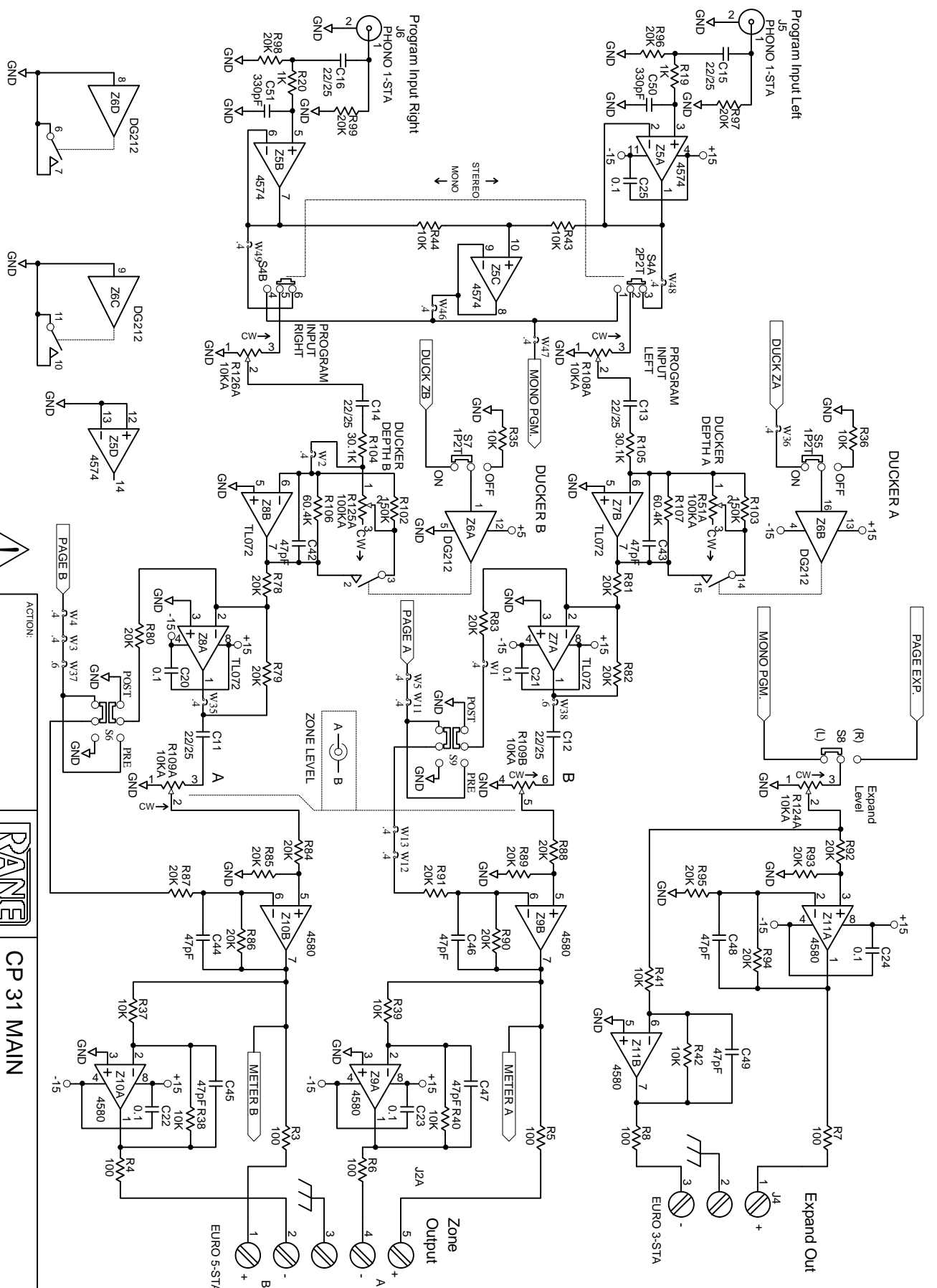


CP 31 PAGE INPUT

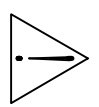
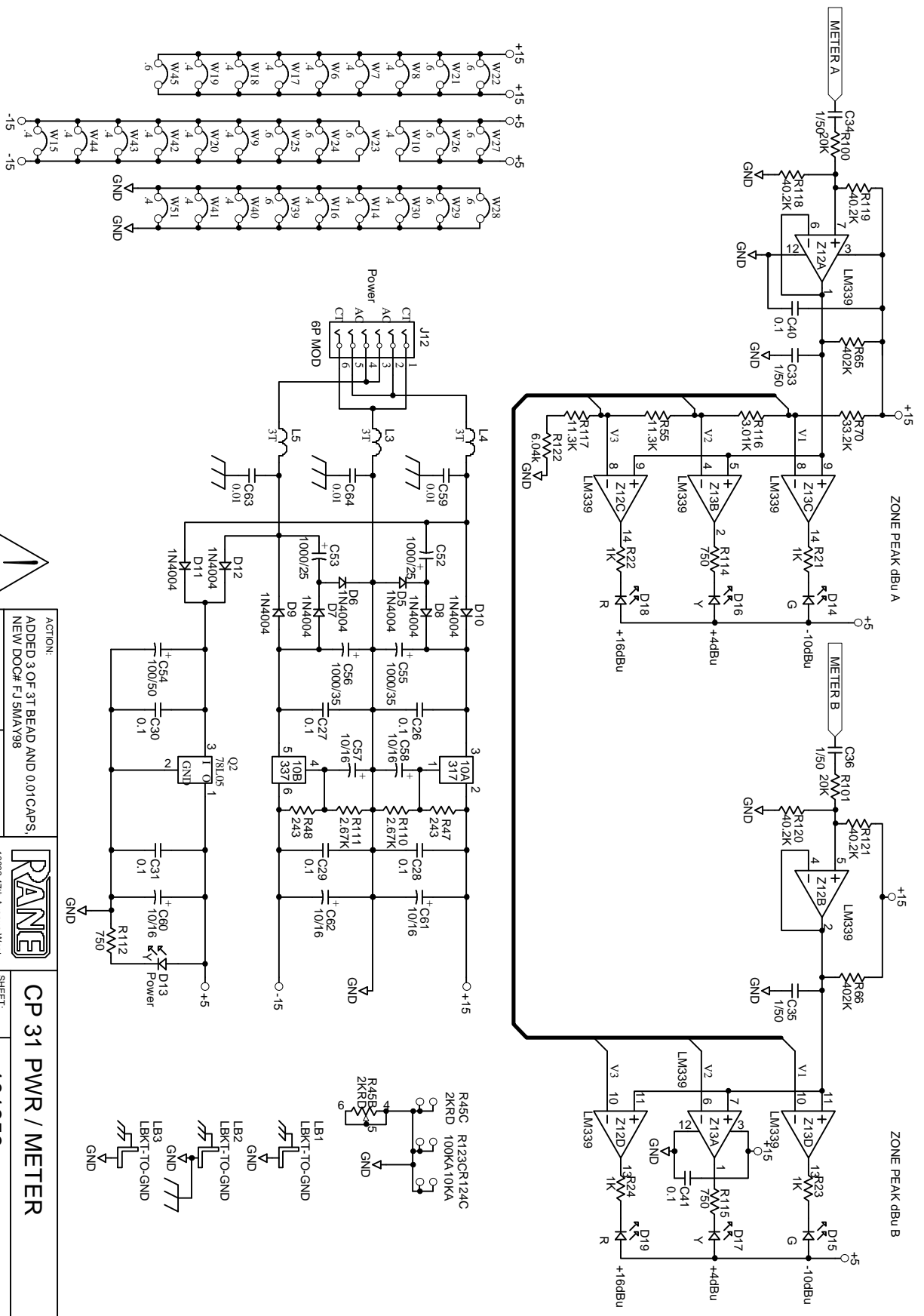
SHEET: 1 of 3

101959

2-Jun-1998



ACTION: _____
 DRAWN BY: RH
 CHECKED BY: RH
 10800 47th Avenue West
 Tukwila WA 98148-5098
CP 31 MAIN
 SHEET: 2 of 3
101959



ACTION:
 ADDED 3 OF 3T BEAD AND 0.01CAPS.
 NEW DOC# FJ 5MA4Y98

DRAWN BY: RJ
 CHECKED BY: RH



10802 47th Avenue West
 Mukwonago, WA 98275-5098

CP 31 PWR / METER

SHEET: 3 of 3
 101959

