

PROGRAM INPUTS
 H:\CPS\107898-1.SCH
 H:\CPS\107898-2.SCH
 H:\CPS\107898-3.SCH
 H:\CPS\107898-4.SCH
 H:\CPS\107898-5.SCH

ZONE REMOTES (VCA) MAIN INPUT
 H:\CPS\107898-1.SCH

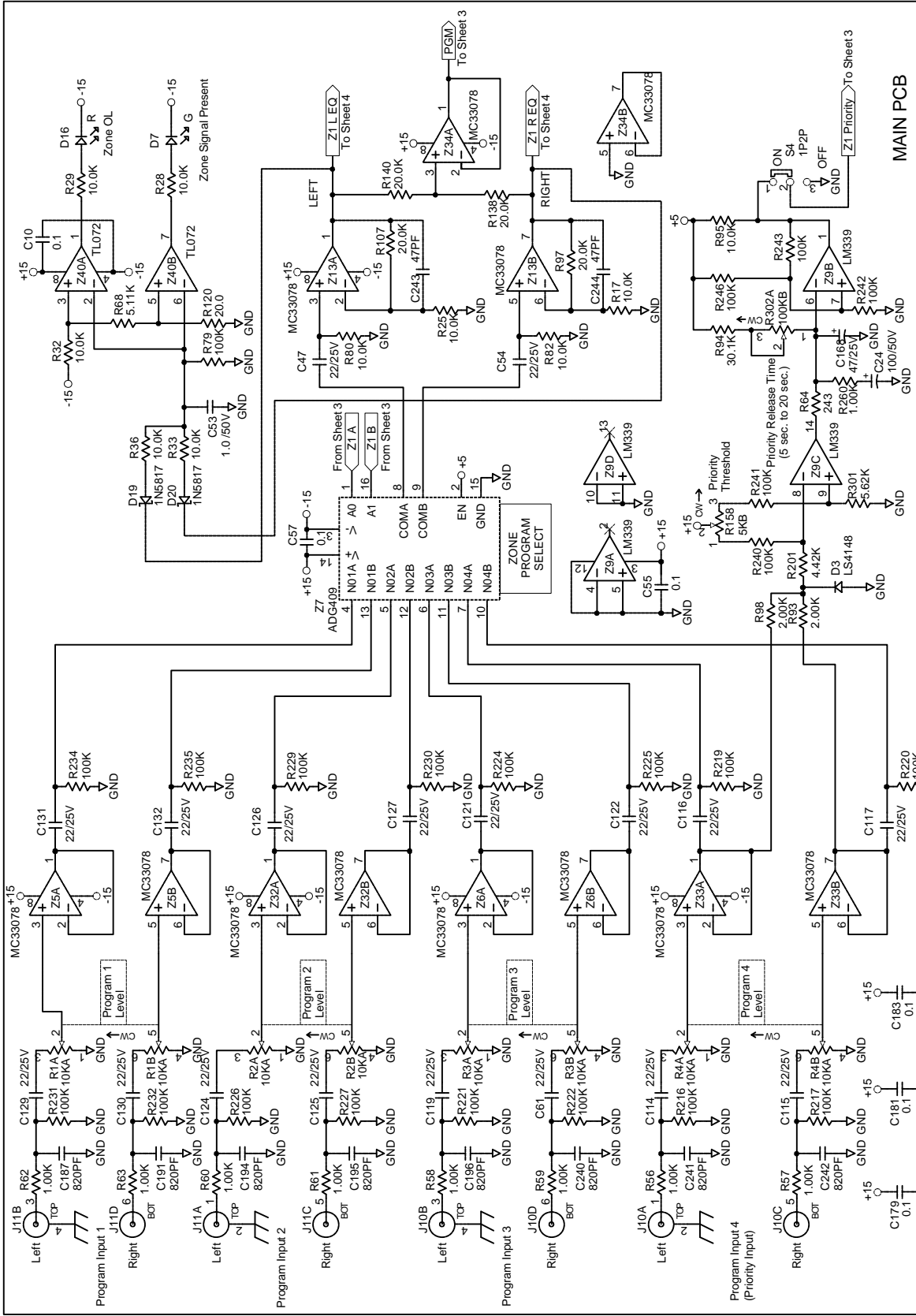
EQ FILTERS/POWER SUPPLY SLIDER PCB
 H:\CPS\107898-1.SCH

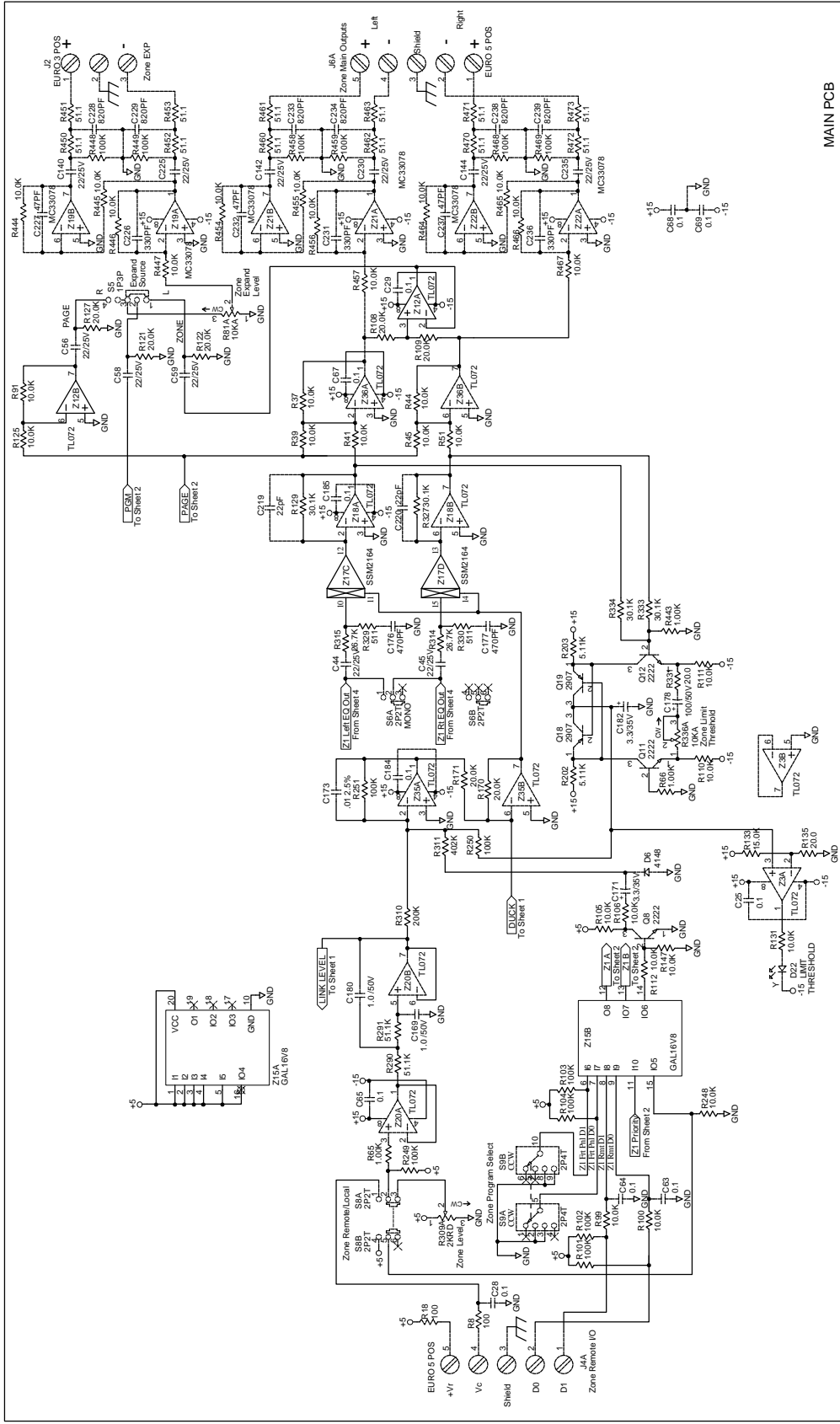
MAIN PCB
 H:\CPS\107898-1.SCH

CP 52 Page In & Zone Sensitivity
 H:\CPS\107898-1.SCH

10802 47th Avenue West
 INDIANAPOLIS, IN 46254-2008
 PHONE: 317.961.1000
 FAX: 317.961.1001
 WWW: www.rane.com

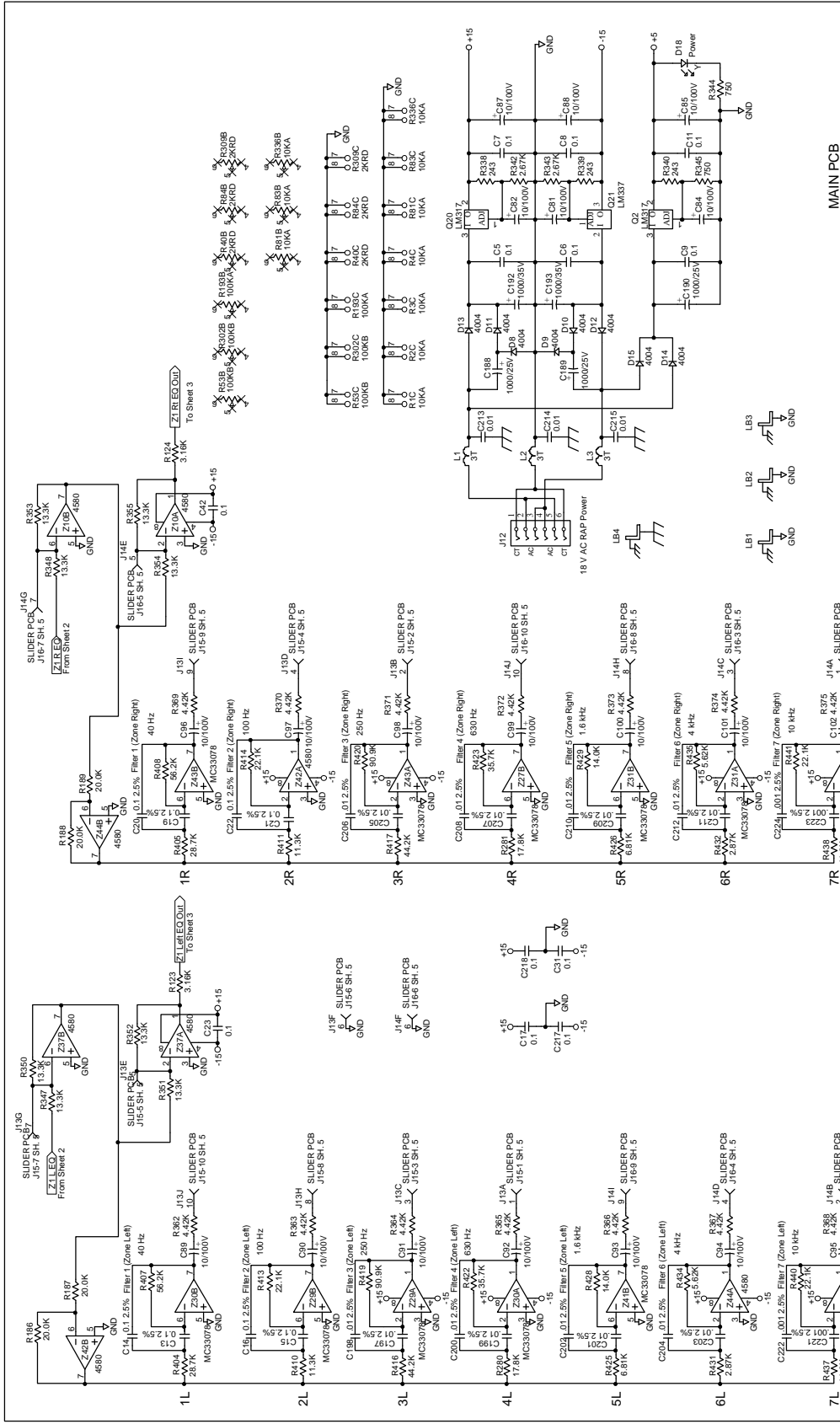
5-Aug-2004
 1 of 5
 107859





MAIN PCB

	
	CP 52 Zn Rmts. VCAs/Main Outs <small>10002 47th Avenue West INDIAN WELLS, CA 92715-5081</small>
<small>DATE: 11/28/17 DRAWN BY: RWJ 747R04</small>	<small>CHECKED BY: [Blank]</small>
<small>5-AUG-2004</small>	<small>107859</small>



MAIN PCB

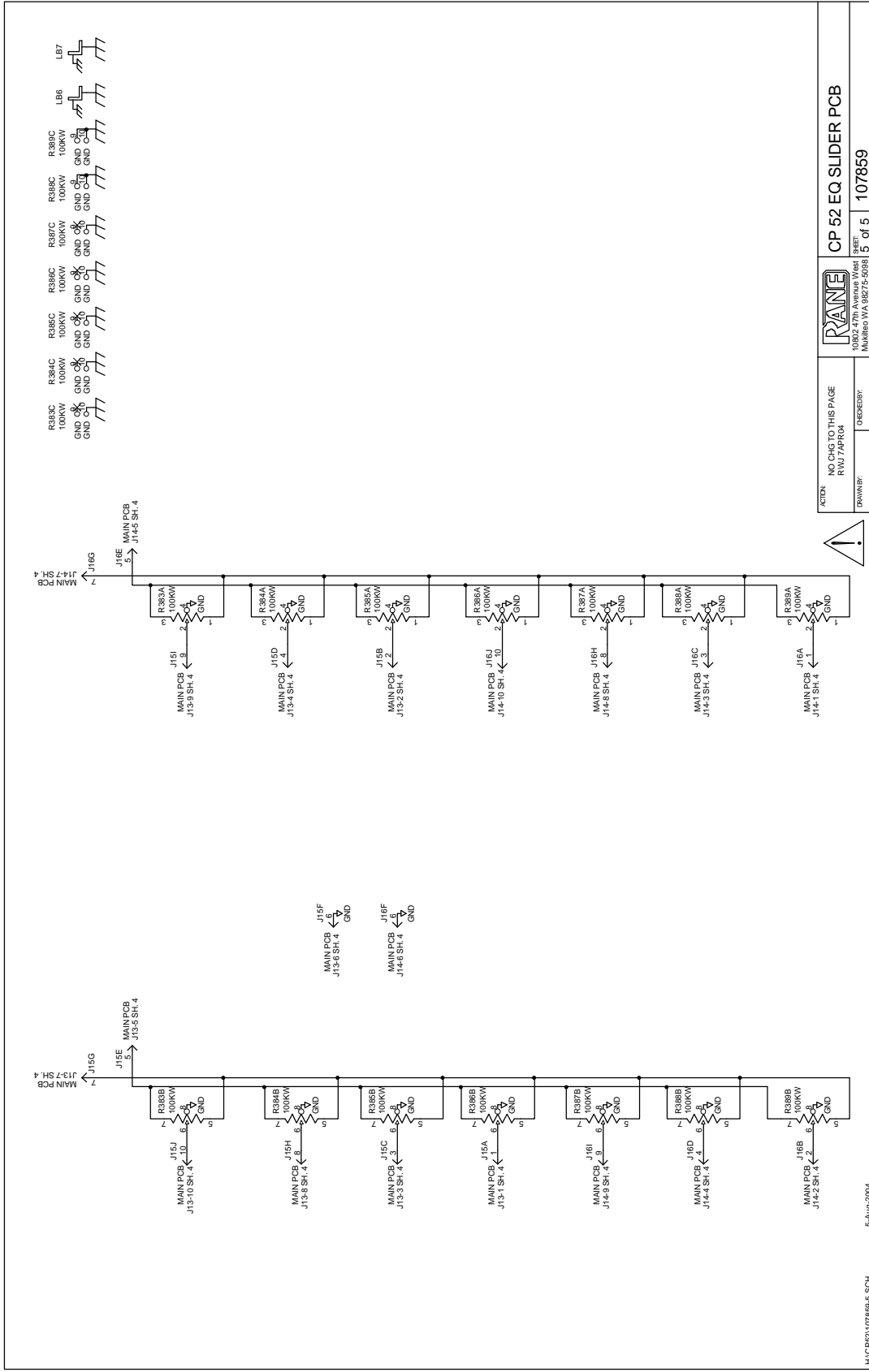
CP 52 EQ Filters/Power Supply

NO CHG TO THIS PAGE
DRAWN BY: RWJ 7AP/RA
CHECKED BY:

10052 47th Avenue West
MURKIN WA 98275-5088
107859

4 of 5

5-Aug-2004



- R3353 100KW GND GND GND
- R3354 100KW GND GND GND
- R3355 100KW GND GND GND
- R3356 100KW GND GND GND
- R3357 100KW GND GND GND
- R3358 100KW GND GND GND
- R3378 100KW GND GND GND
- R3379 100KW GND GND GND
- R3380 100KW GND GND GND
- R3381 100KW GND GND GND
- R3382 100KW GND GND GND
- R3383 100KW GND GND GND
- LB6
- LB7

NO CHG TO THIS PAGE
 RWJ 7AP/RA
 ORDERBY: