

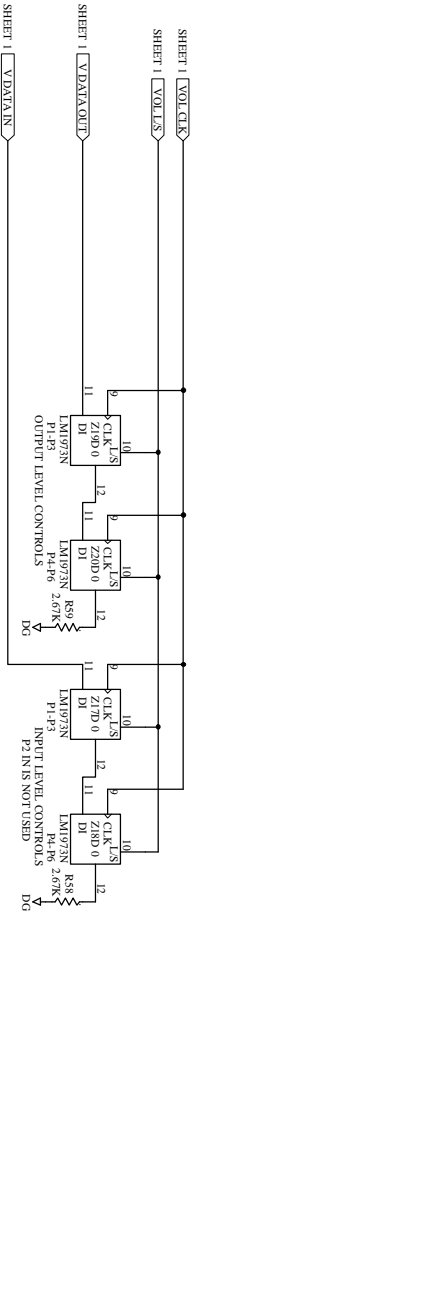
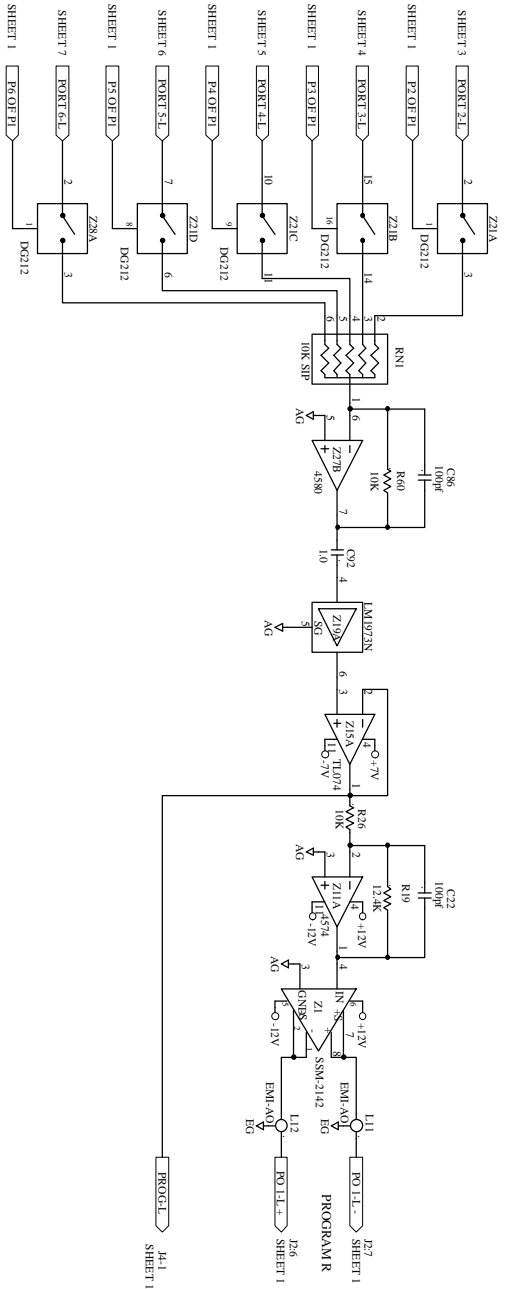
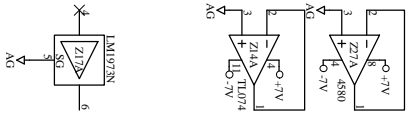
ACTION:

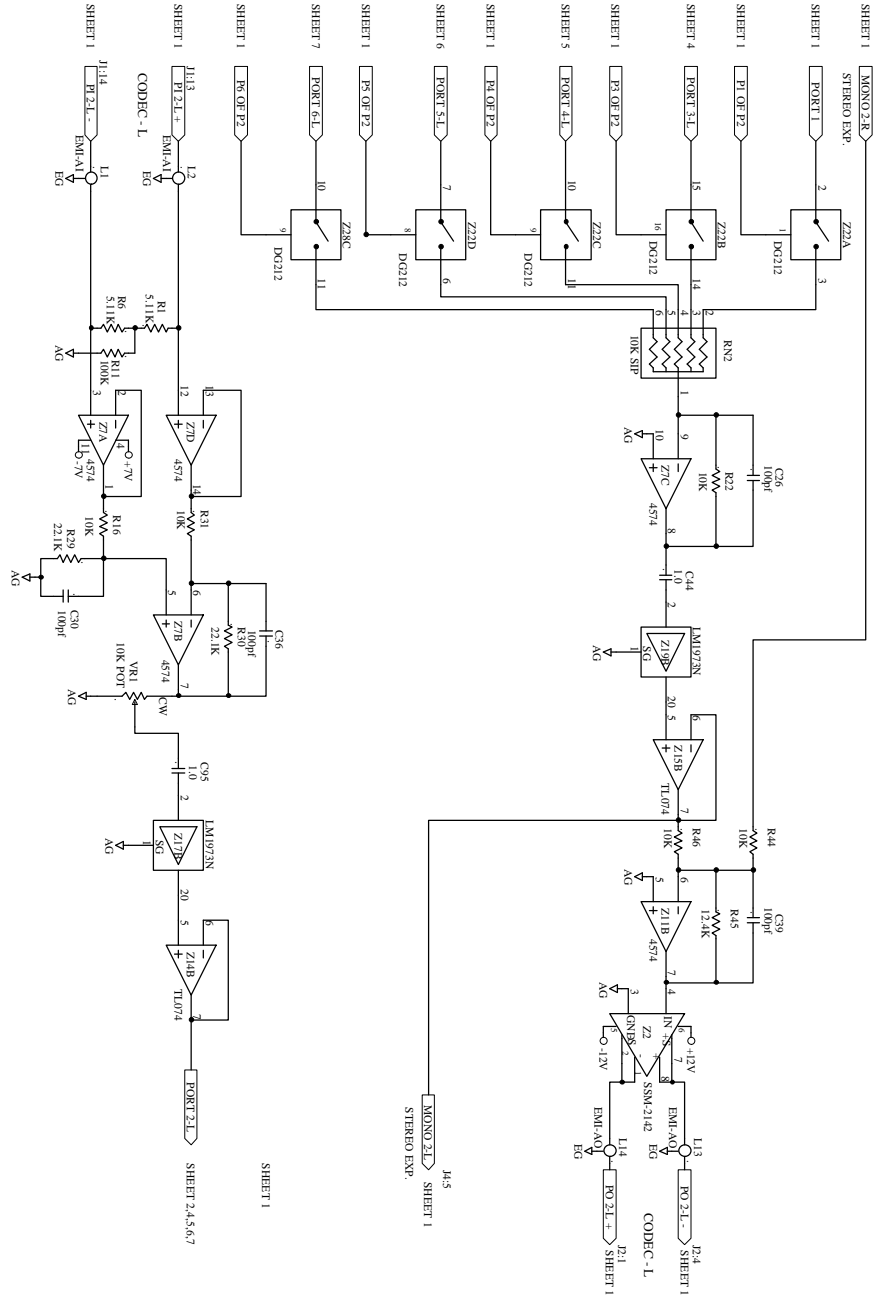
DESIGNED BY Mike Sherry	CHECKED BY	DATE March 1997	REVISED BY
----------------------------	------------	--------------------	------------

RANE ECS 6 Connector Sheet

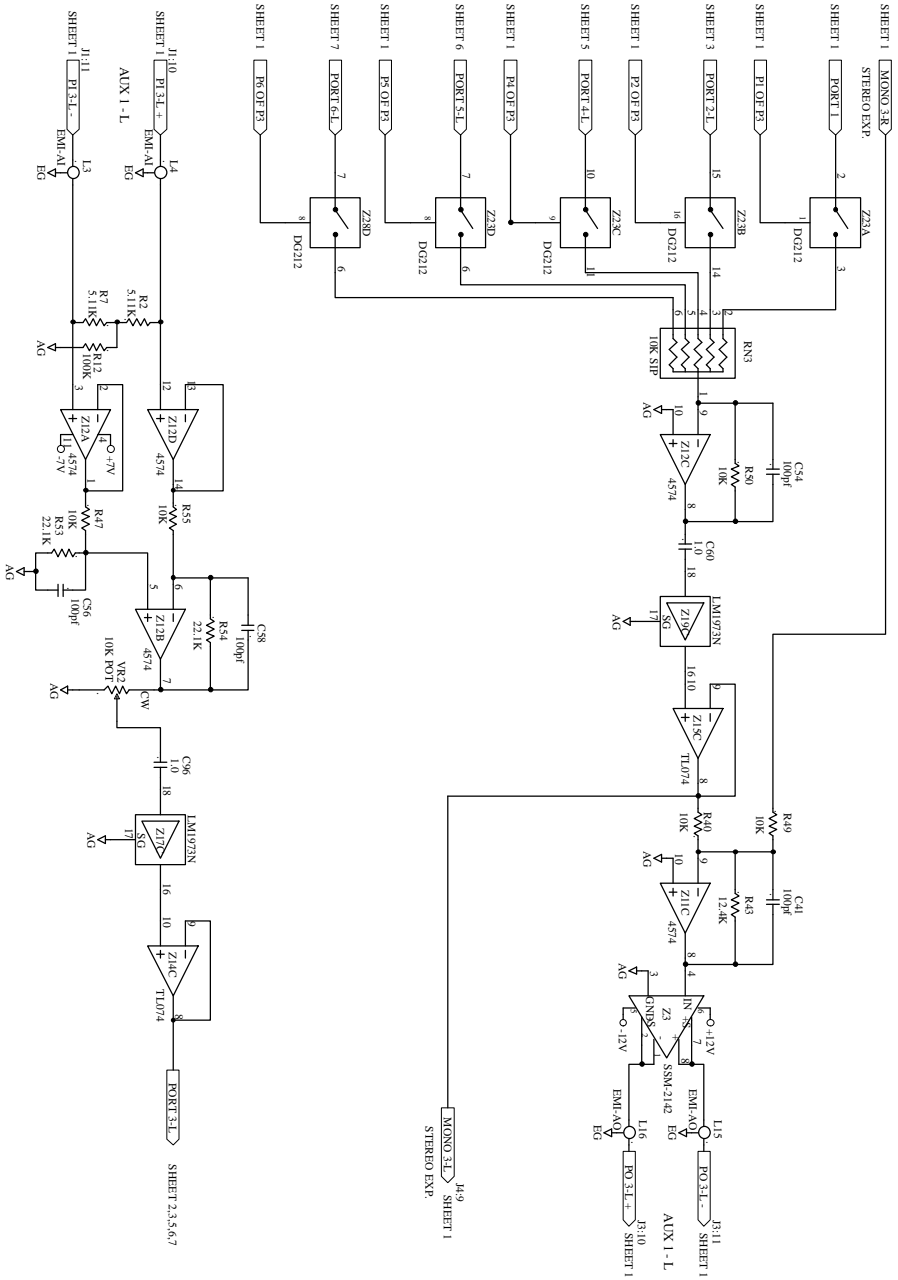
SHEET 1 OF 8 160-456

B



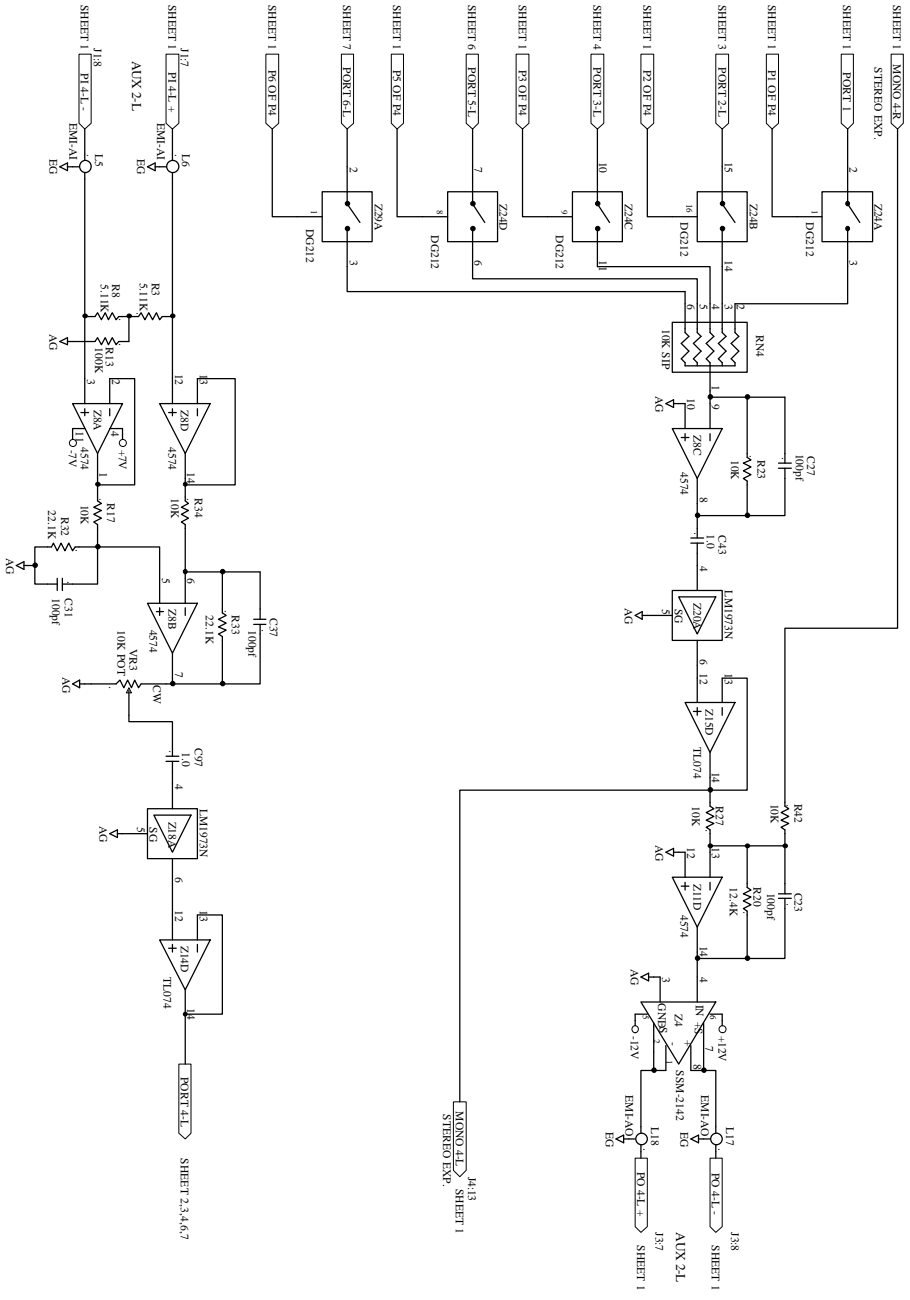


ACTION:		DRAWN: RAYMOND WANG		CHECKED: ROY ZHANG		DATE: 3/4/97		SHEET: 3 OF 8		PORT 2: CODEC - R	
DRAWN: RAYMOND WANG		CHECKED: ROY ZHANG		DATE: 3/4/97		SHEET: 3 OF 8		PORT 2: CODEC - R		A	



ACTION:				SHEET 4 OF 8	
DESIGNER:	IRAVN	CHECKED:	REH 2/2/97	PART NO: 521-407	
DATE:	1997	MILBRO V/A 98275-5098		REV: 1	
DRAWN:		MHO SHIRBY		A	

PORT 3 : AUX 1 - R



ACTION:			PORT 4 : AUX 2 - R	A
DRAWN: RAN MWD SHERRY	CHECKED: RCH Z2/197			
RANE 10804 10804 Makinno V.A. 98275-5088		SHEET 5 of 8 521-408		

