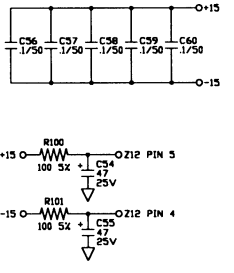
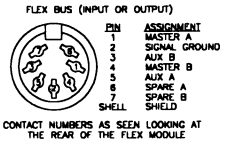
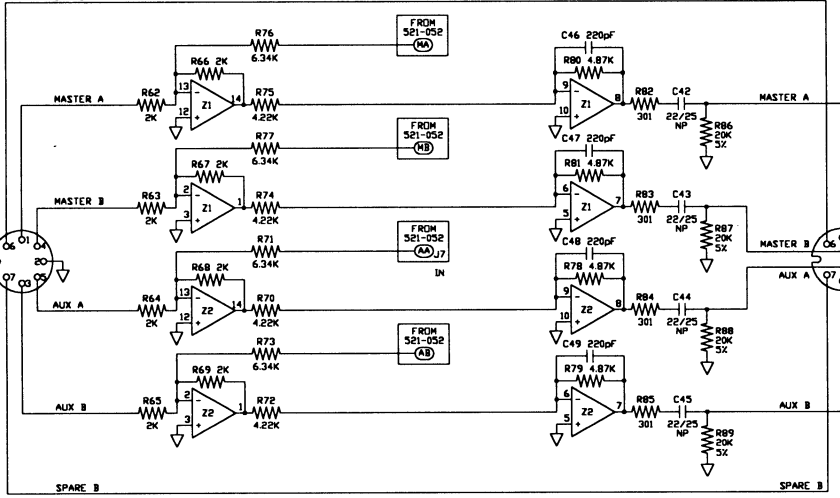


FLEX BUS



SEE NOTES SHEET 521-052

REV. F	ACTION	ADDED FLEX BUS PIN ASSIGN NOTE, REVERSED ORIENTATION J7	DATE	17NOV93	APPROVED	RGH						
DRAWN	S. TURNIDGE	DATE	17 JUL 89	CHECKED	A. CLAXTON	DATE	18 JUL 89	SHEET	3	OF	3	DO NOT SCALE DRAWING

RANE
 Corp. 10802 47th Avenue West, Mukilteo
 WA 98275-5098 (206) 355-6000

TITLE	FMI 14 SCHEMATIC
DRW. NO.	521-054
REV.	F

