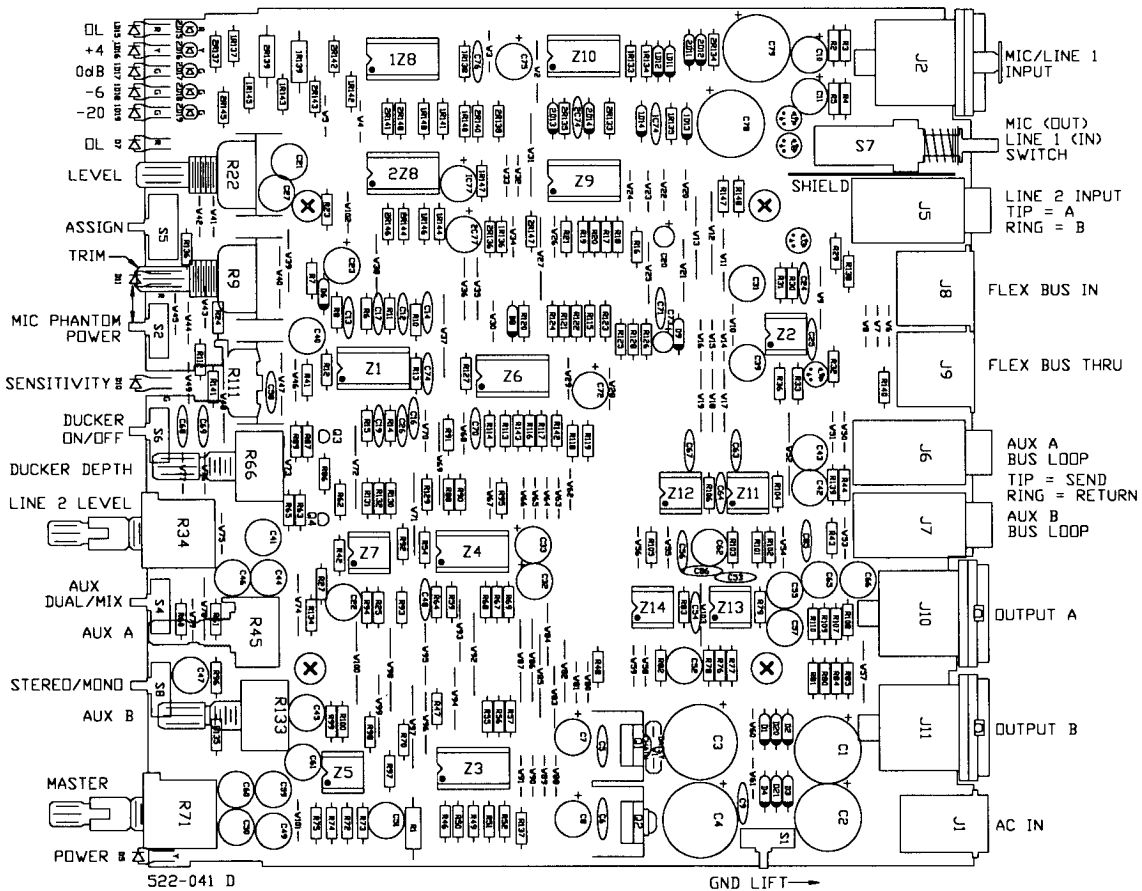
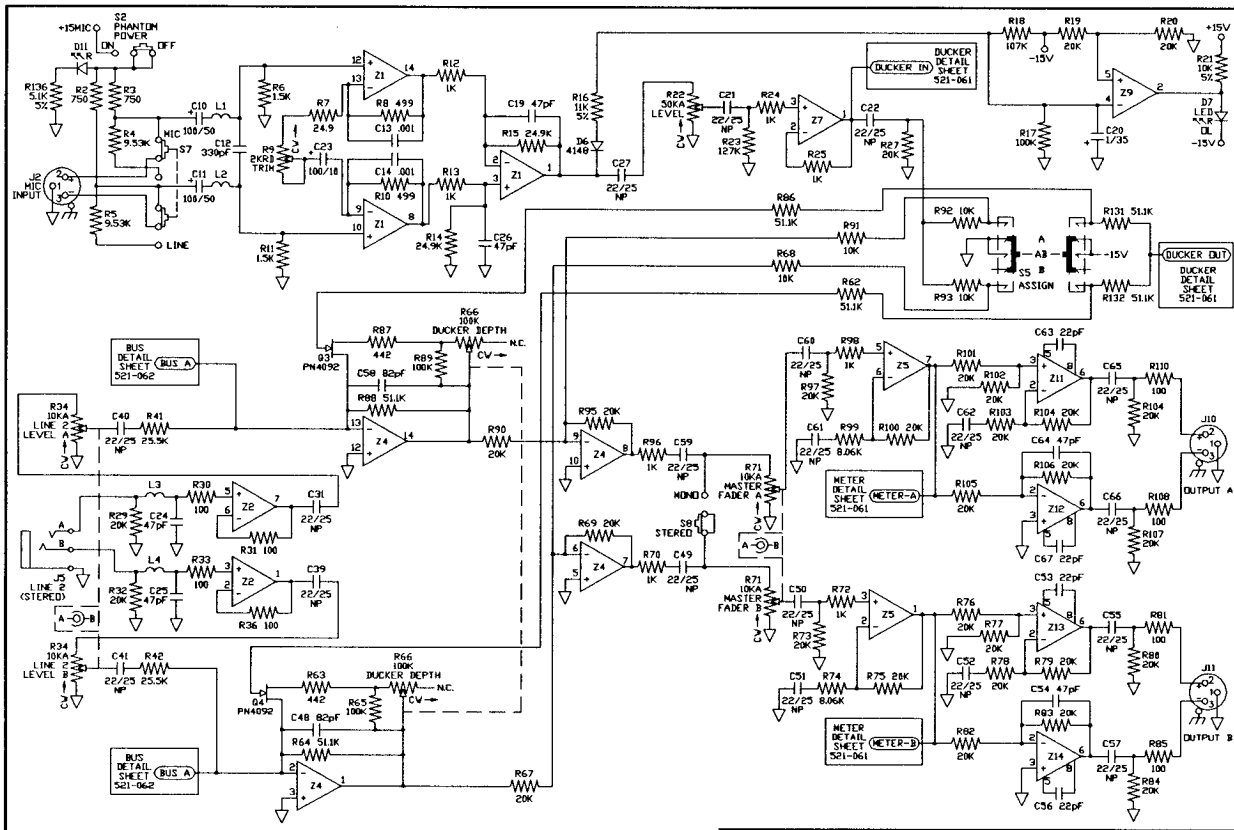


REVISIONS	REV. E	ACTION	ADDED FLEX BUS PIN ASSIGN NOTE, REVERSED ORIENTATION	DATE	17NOV93	APPROVED	RGH
DRAWN	S. TURNIDGE	DATE	31JUL89	CHECKED	A. CLAYTON	DATE	10AUG89
SHEET 3 OF 3				DO NOT SCALE DRAWING			
Corp. 10882 47th Avenue West, Mukilteo WA 98275-5058 (206) 355-6000							





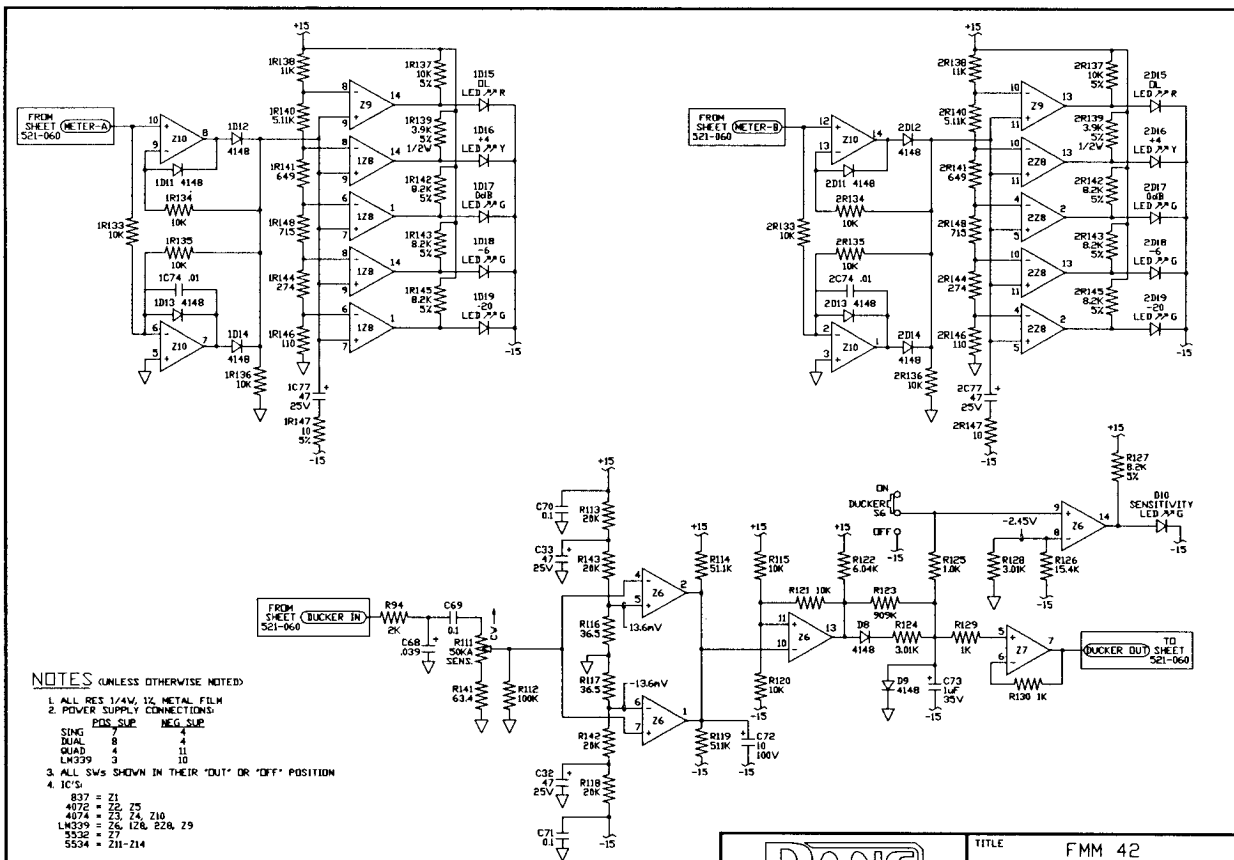
SEE NOTES SHEET 521-061



TITLE		FMM 42
SCHEMATIC (1/2)		
BRW. NO.	521-060	REV.
		D

REVISIONS	REV. D	ACTION	MOVED STEREO/MONO SWITCH CONNECTIONS, REVERSED JR PHASE	DATE	8/24/89	APPROVED	RGH
		DRAWN S. TURNIDGE	DATE 2/18/89	CHECKED A. CLAXTON	DATE 10/18/89	SHEET	1 OF 3
				DO NOT SCALE DRAWING			

Corp. 10802 47th Avenue West, Everett WA 98204-3408 (206) 355-6008



NOTES (UNLESS OTHERWISE NOTED)

- ALL RES 1/4W, 1% METAL FLM
- POWER SUPPLY CONNECTIONS:

POS. SUP.	NEG. SUP.
SING	8
DUAL	4
QUAD	11
LM339	3

- ALL SWs SHOWN IN THEIR 'OUT' OR 'OFF' POSITION
- 1C'S

837	= Z1
4072	= Z2, Z5
4074	= Z3, Z4, Z10
LM339	= Z6, Z7, Z28, Z29
5532	= Z7
5534	= Z11-Z14



TITLE		FMM 42
SCHEMATIC (DUCKER & METER)		
BRW. NO.	521-061	REV.
		B

REVISIONS	REV. B	ACTION	IR-2R137, IR-2R142-145, R122-R125, R127, C72, C73 REVISED	DATE	8/24/89	APPROVED	AVC
		DRAWN S. TURNIDGE	DATE 4/18/89	CHECKED A. CLAXTON	DATE 10/18/89	SHEET	2 OF 3
				DO NOT SCALE DRAWING			

Corp. 10802 47th Avenue West, Everett WA 98204-3408 (206) 355-6008