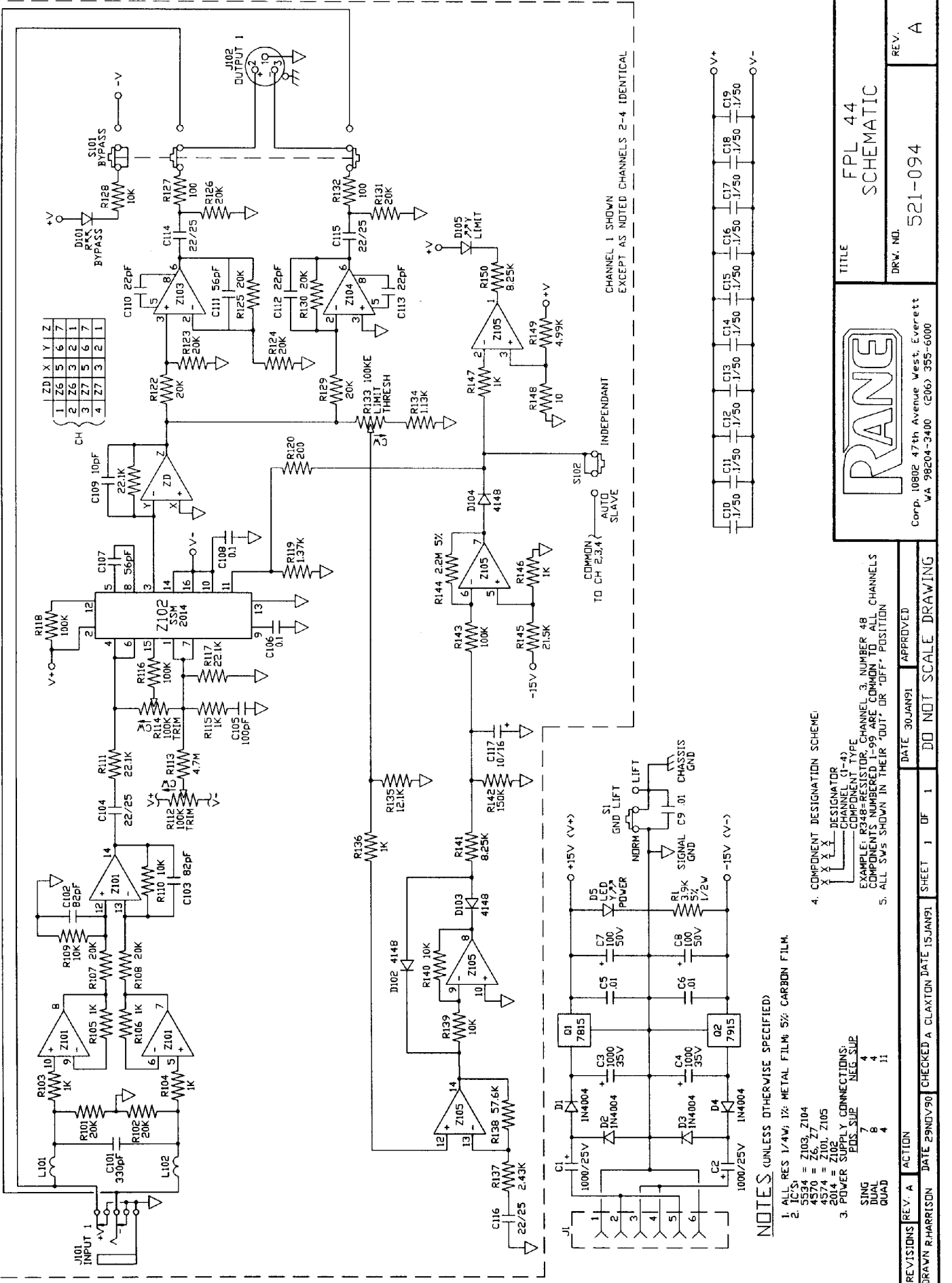


ZD	X	Y	Z
1	Z6	5	6
2	Z6	3	2
3	Z7	5	6
4	Z7	3	2

CH	1	2	3	4
1	Z6	5	6	7
2	Z6	3	2	1
3	Z7	5	6	7
4	Z7	3	2	1



- NOTES UNLESS OTHERWISE SPECIFIED:
1. ALL RES 1/4W; 1% METAL FILM 5% CARBON FILM.
 2. IC'S = Z103, Z104, 5534 = Z6, Z7, 4574 = Z101, Z105, 2014 = Z102
 3. POWER SUPPLY CONNECTIONS:

SING	7	4	11
DUAL	8	4	
GUARD		4	
 4. COMPONENT DESIGNATION SCHEME:

X	X	X	X	X
DESIGNATOR	CHANNEL	COMPONENT TYPE	DESIGNATOR	CHANNEL

 EXAMPLE: R348=RESISTOR, CHANNEL 3, NUMBER 48
 COMPONENTS NUMBERED 99 ARE COMMON TO ALL CHANNELS
 5. ALL SVS SHOWN IN THEIR "OUT" OR "OFF" POSITION

REV. A
 DATE 29NOV90
 CHECKED A CLAXTON
 DATE 15JAN91
 SHEET 1 OF 1
 DO NOT SCALE DRAWING
 APPROVED
 DATE 30JAN91

Corp. 10802 47th Avenue West Everett
 WA 98204-3400 (206) 355-6000

TITLE
 FPL 44
 SCHEMATIC
 DRW. NO. 521-094

REV. A