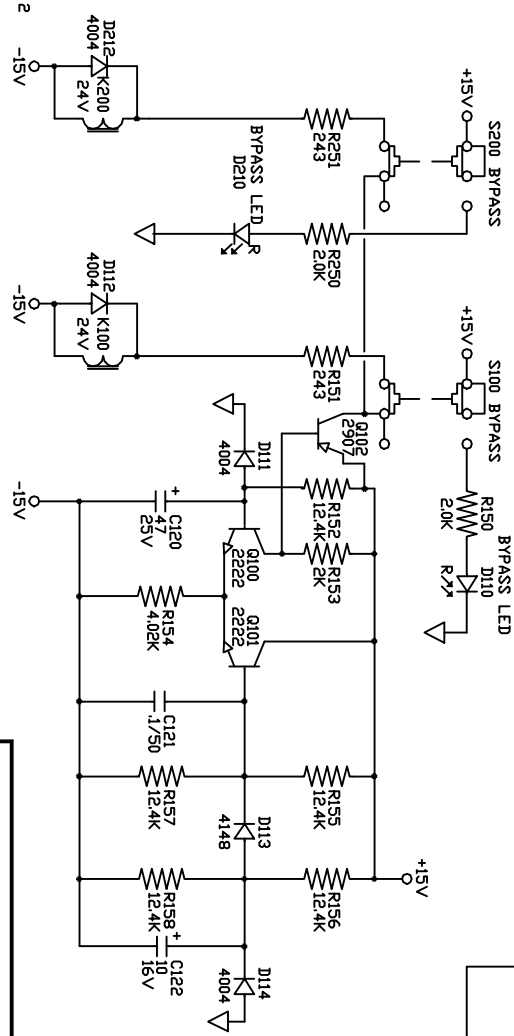


POWER-UP/BYPASS RELAY

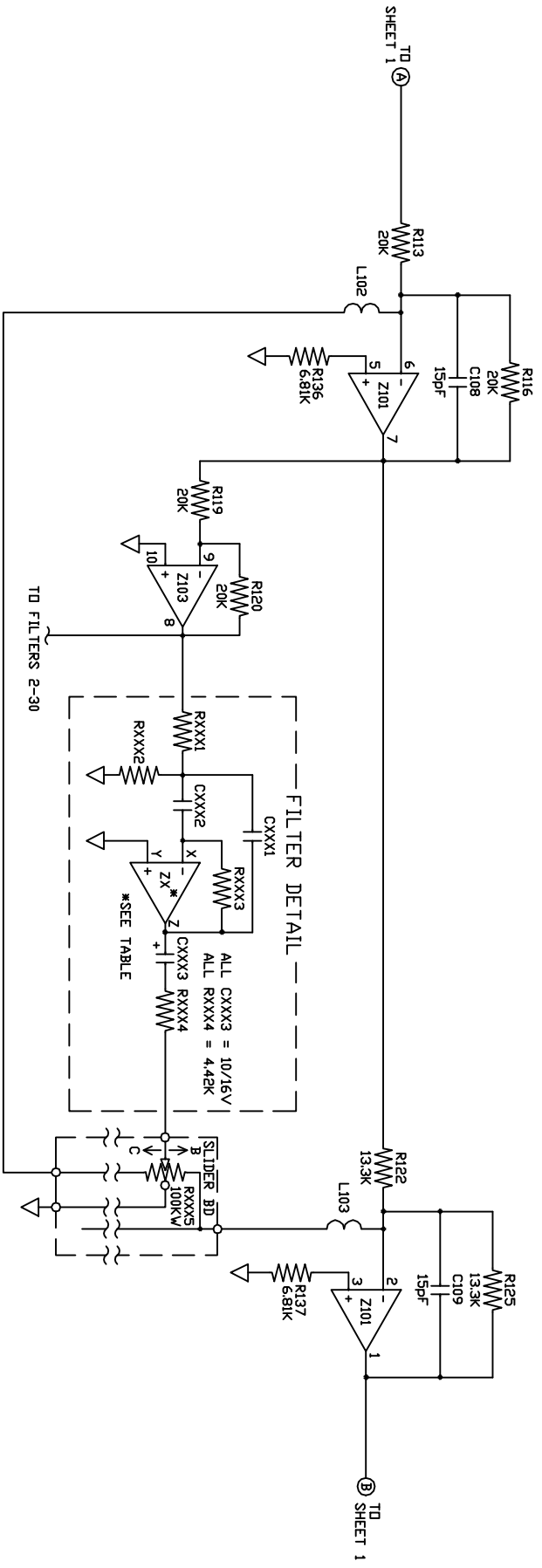


NOTES (UNLESS OTHERWISE SPECIFIED)

1. ALL RES 1/4W 1% METAL FILM
2. ALL CAPS 100V POLY
3. QUADS PIN 4, DUALS PIN 8 ARE +V
4. QUADS PIN 11, DUALS PIN 4 ARE -V
5. ALL SW'S SHOWN IN THEIR 'DUT' OR 'UP-POSITION' = DP1 OR EQUIV
6. FILTER DESIGNATION SCHEME:
Z101 = 4574 DR EQUIV
Z102 = 4574 DR EQUIV

EXAMPLE: C1072
CAPACITOR, CHANNEL 1, FILTER 07 (100HZ), NUMBER 2

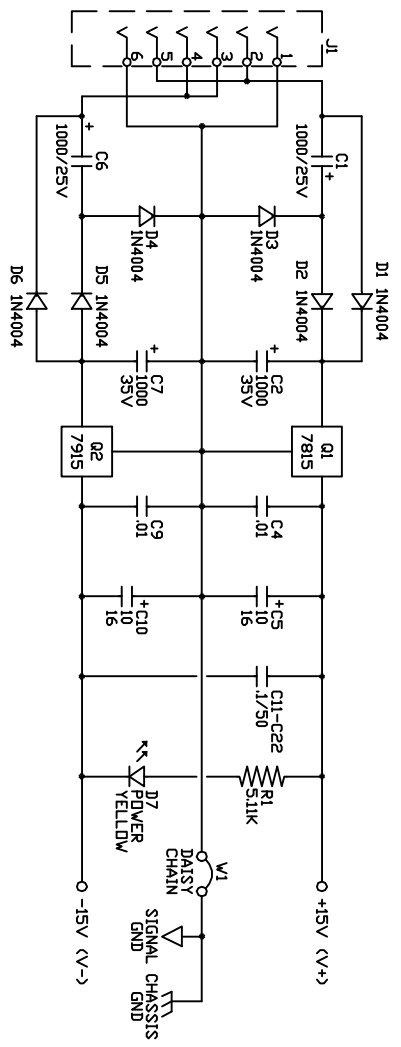
DESIGNATOR
FILTER NUMBER (01-15)
CHANNEL 1, 2=CHANNEL 2
COMPONENT TYPE



Zx CONNECTION TABLE

FILTER FREQ	Zx*	X	Y	Z
1	25	ZX03	13	12
2	40	ZX03	2	3
3	63	ZX03	6	5
4	100	ZX04	13	12
5	160	ZX04	9	10
6	250	ZX04	2	3
7	400	ZX04	6	5
8	630	ZX05	13	12
9	1k	ZX05	9	10
10	1.6k	ZX05	2	3
11	2.5k	ZX05	6	5
12	4k	ZX06	13	12
13	6.3k	ZX06	9	10
14	10k	ZX06	2	3
15	16k	ZX06	6	5

*CH1-X=1
CH2-X=2



ACTION: SCHEM NOT CHANGED, NEW DDC # DRAWN: AC DATE: 03APR95 CHECKED:	REVISED: RWJ APPROVED: SKH DATE: 20JAN98 SHEET: 2 OF 2 DDC NOT SCALE DRAWING	<p>Corp. 10802 47th Avenue West, Mukilteo VA 98275-5098 (425) 355-6000</p>
TITLE: EQ/PWR SCHEM GE215 DDC. NO. 101434		