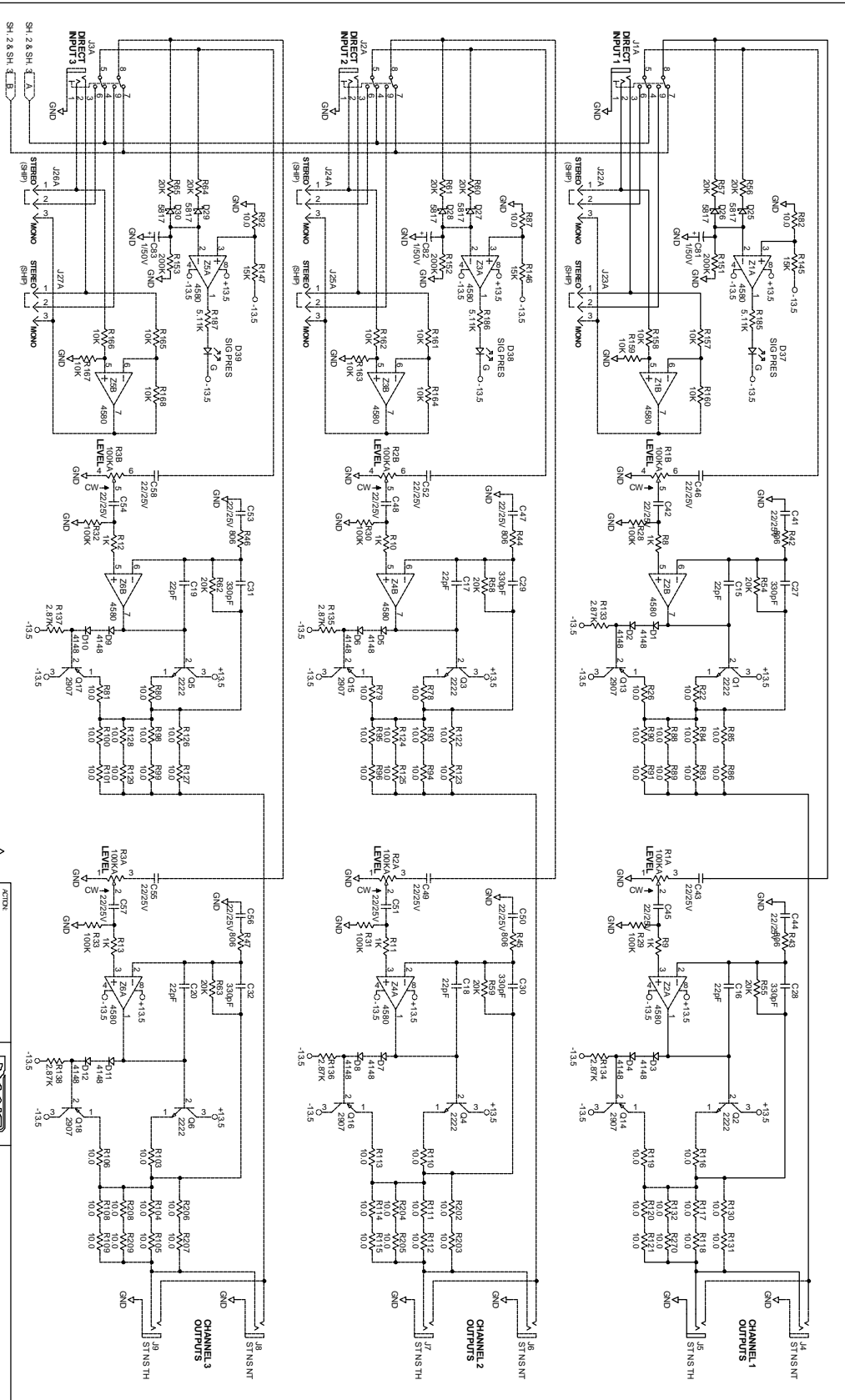


Rane Corp. (425)355-6000  
 106647 DES HC 6  
 ACTION: NEW LAYOUT SKH 18FEB03



CH.4 INOUT  
10672.2.SCH  
NSTR INOUT & PWR SUP  
10672.3.SCH



ACTION  
DRAWN BY: SKW  
CHECKED BY: RU

**PARANE**  
10802 27th Avenue West  
Maple Ridge, BC V2X 5S8  
Canada  
1 of 3  
10672.4

CH. 1-3 INOUT HC 6

