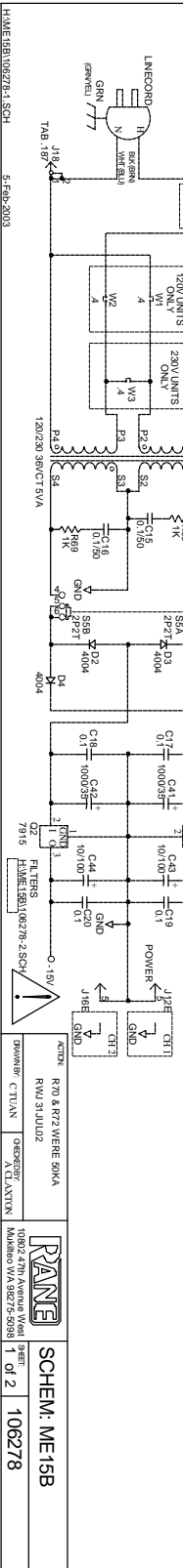
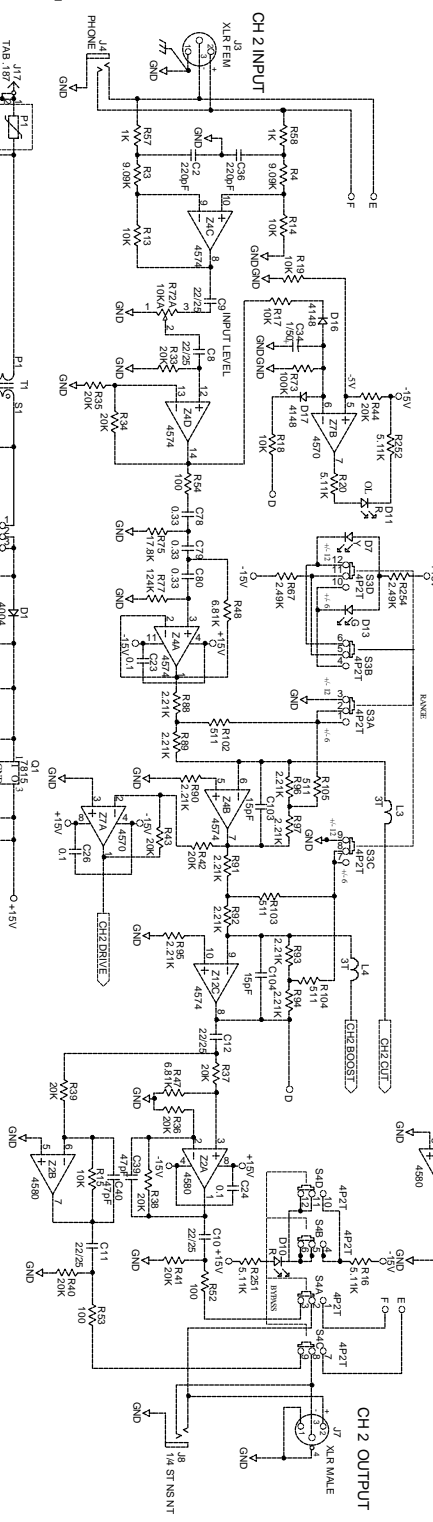
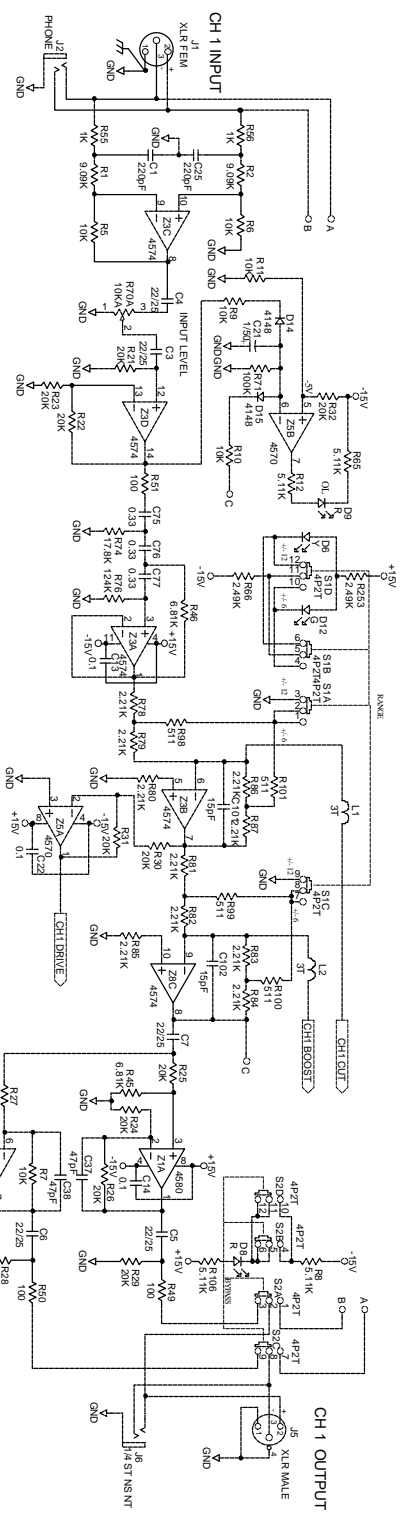


Rane Corp. (425)355-6000  
 106282 DES: MAIN ME15B 1 OF 2 SHEET  
 ACTION: NEW LAYOUT RJW 26AUG02



HAME BR1106278\_1.SCH 5-FEB-2003

|  |  |
|--|--|
|  | <b>SCHEM: ME15B</b><br>10802 27th Avenue West<br>Mukwonago, WI 53075-5888<br>1 of 2 106278 |
|--|--|

R10 & R12 WERE E9KA  
 RWJ 3/10/02  
 CREDITS: A.C. LANTON

FILTERS  
 HAME BR1106278-2.SCH  
 7915

POWER  
 +15V  
 -15V

120V UNITS  
 230V UNITS ONLY  
 W1 W2  
 W3 W4

RECORD  
 XLR FEM  
 XLR MALE  
 GND  
 GND  
 GND  
 GND

