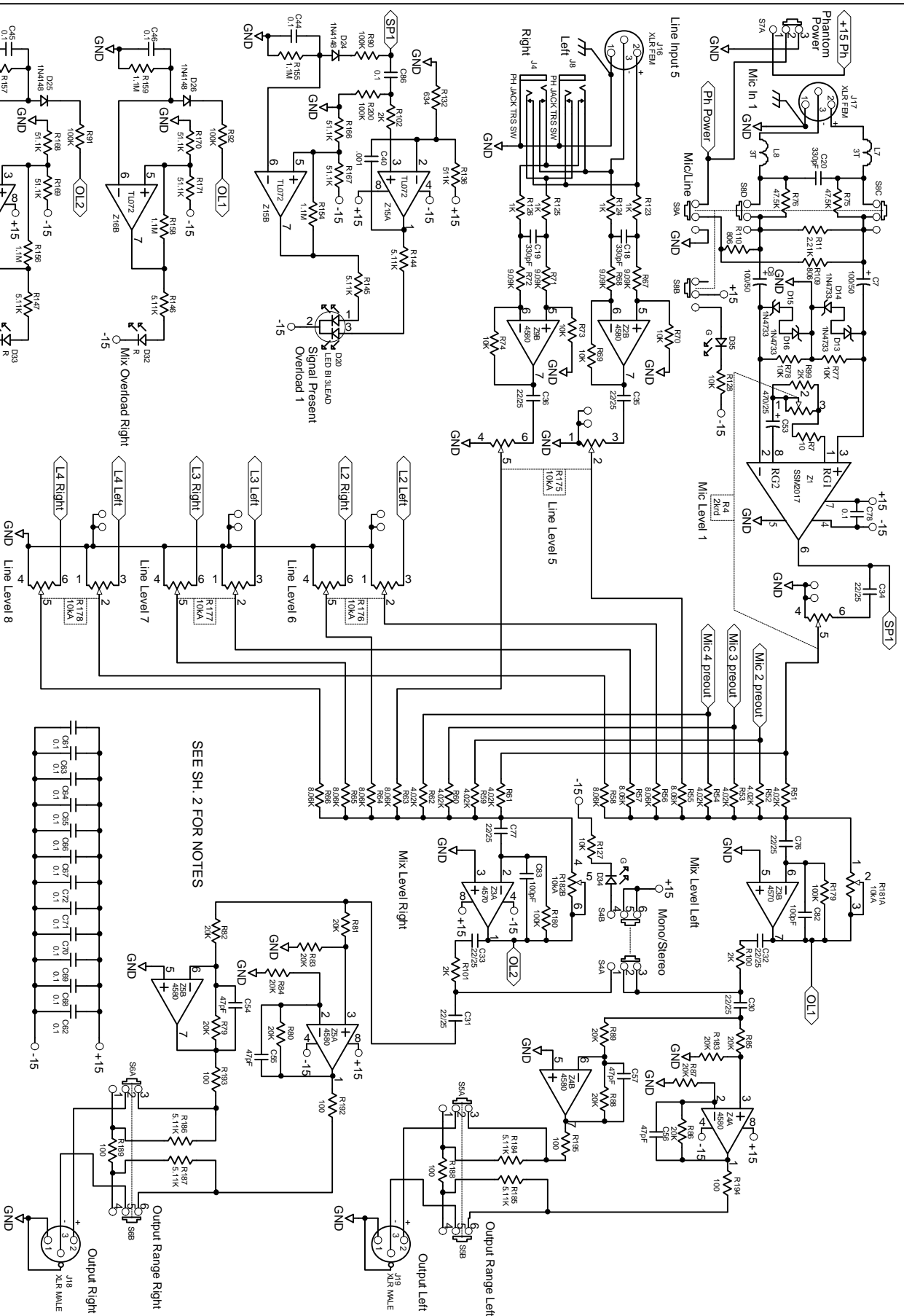


Rane Corp. <425>355-6000
 100632 DES: MLM82
 ACTION: NO CHANGE TO PART, NEW DOC#
 ADDED TEST AROUND OUTSIDE, SKH 11DEC97



H:\MLM\821\020226-1.SCH 21-Nov-1998

INPUTS 1 H:\MLM\821\020226-2.SCH INPUTS 2

H:\MLM\821\020226-3.SCH

ACTION: Z3 4570 WAS 4580

DRAWN BY: FU 19MAV98

CHECKED BY: RWJ

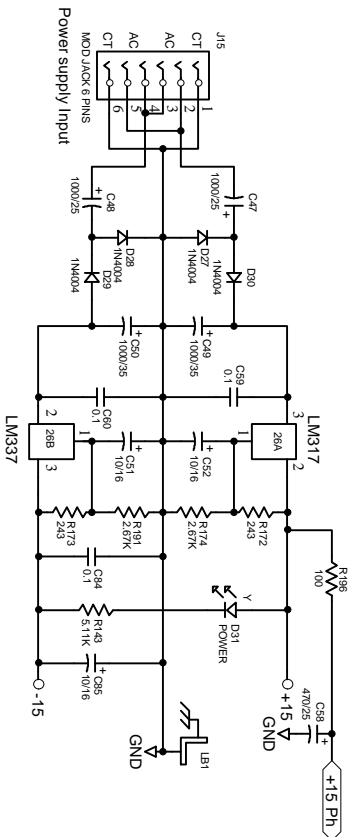
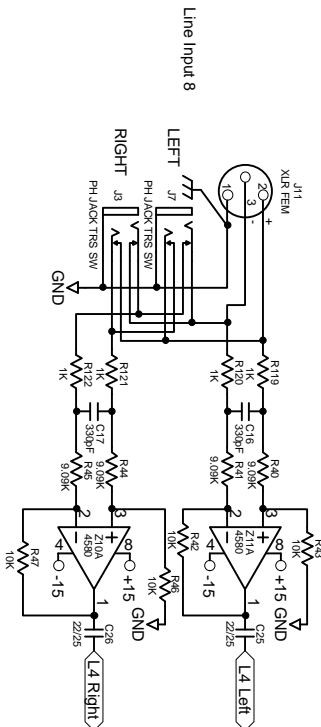
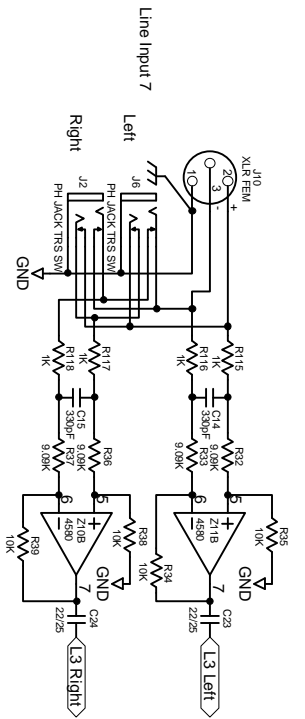
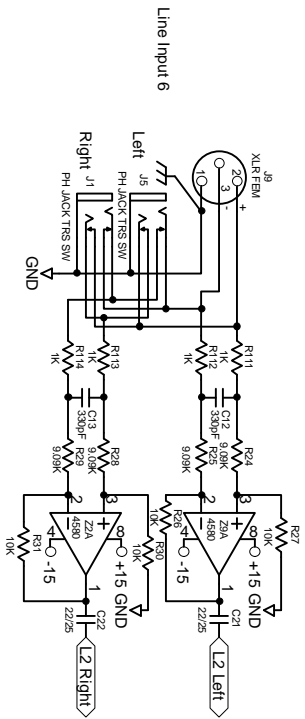
10802 47th Avenue West
 Matthews WA 98275-5098

RANE

SCHEM MLM 82 MSTR

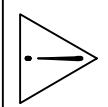
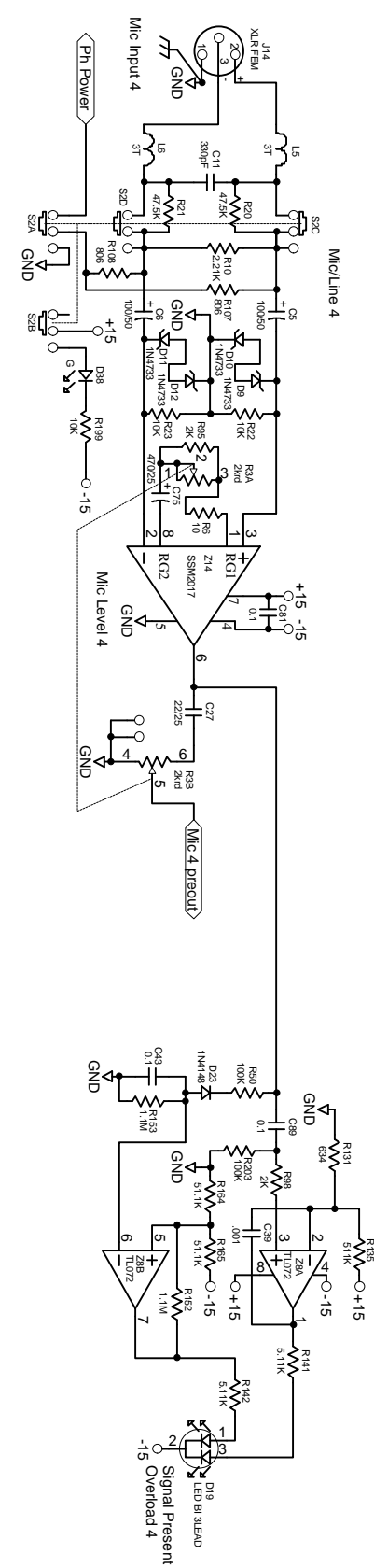
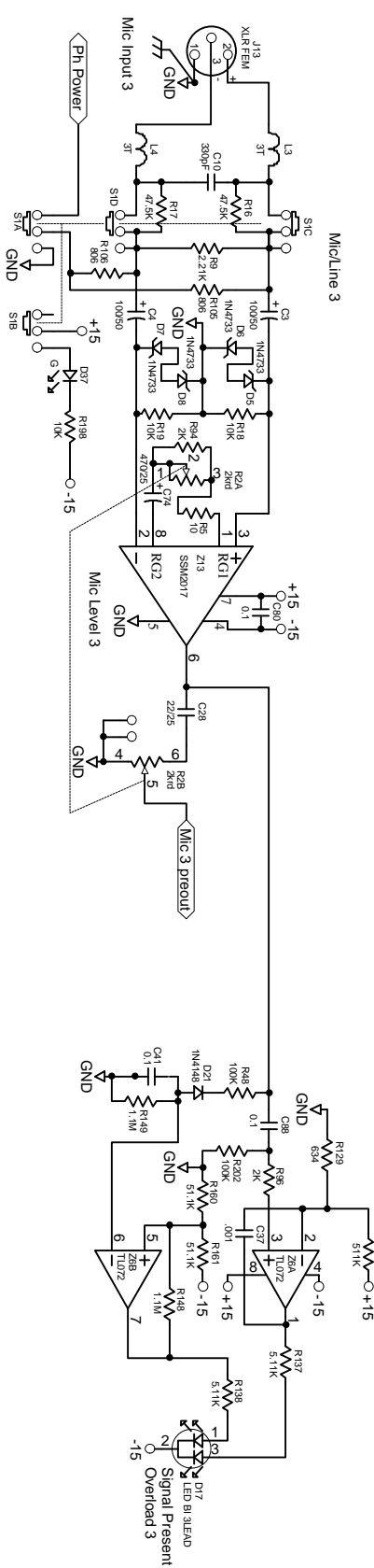
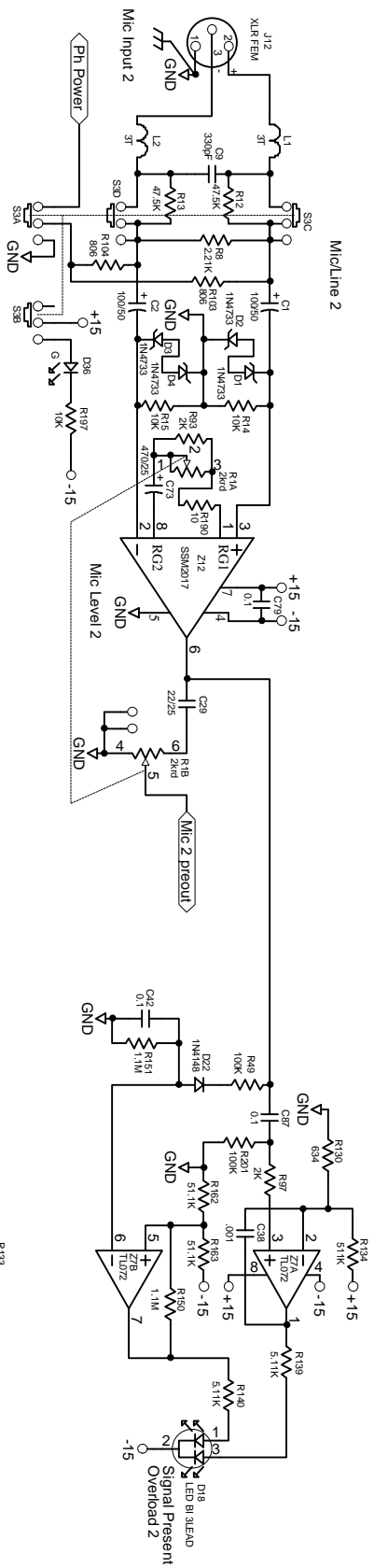
SHEET: 1 of 3

102026



NOTES UNLESS OTHERWISE SPECIFIED:
 1. ALL RESISTORS 1/4W 1% METAL FILM
 2. ALL SWITCHES SHOWN IN THEIR "OUT" OR "OFF" POSITION

	<p>ACTION: NO CHANGE TO PART. NEW DOG# FJ19MAV98</p> <p>DRAWN BY: MMR</p> <p>CHECKED BY: RWJ</p>	<p>10802 47th Avenue West Matthews WA 98275 5038</p>	<p>SHEET: 2 of 3</p> <p>102026</p>
--	--	---	------------------------------------



ACTION:
NO CHANGE TO PART
NEW DOG# FJ 19MAY98

DRAWN BY: MWR

CHECKED BY: RWJ



102026 47th Avenue West
Maplewood WA 98275-5038

SHEET:
3 of 3

102026