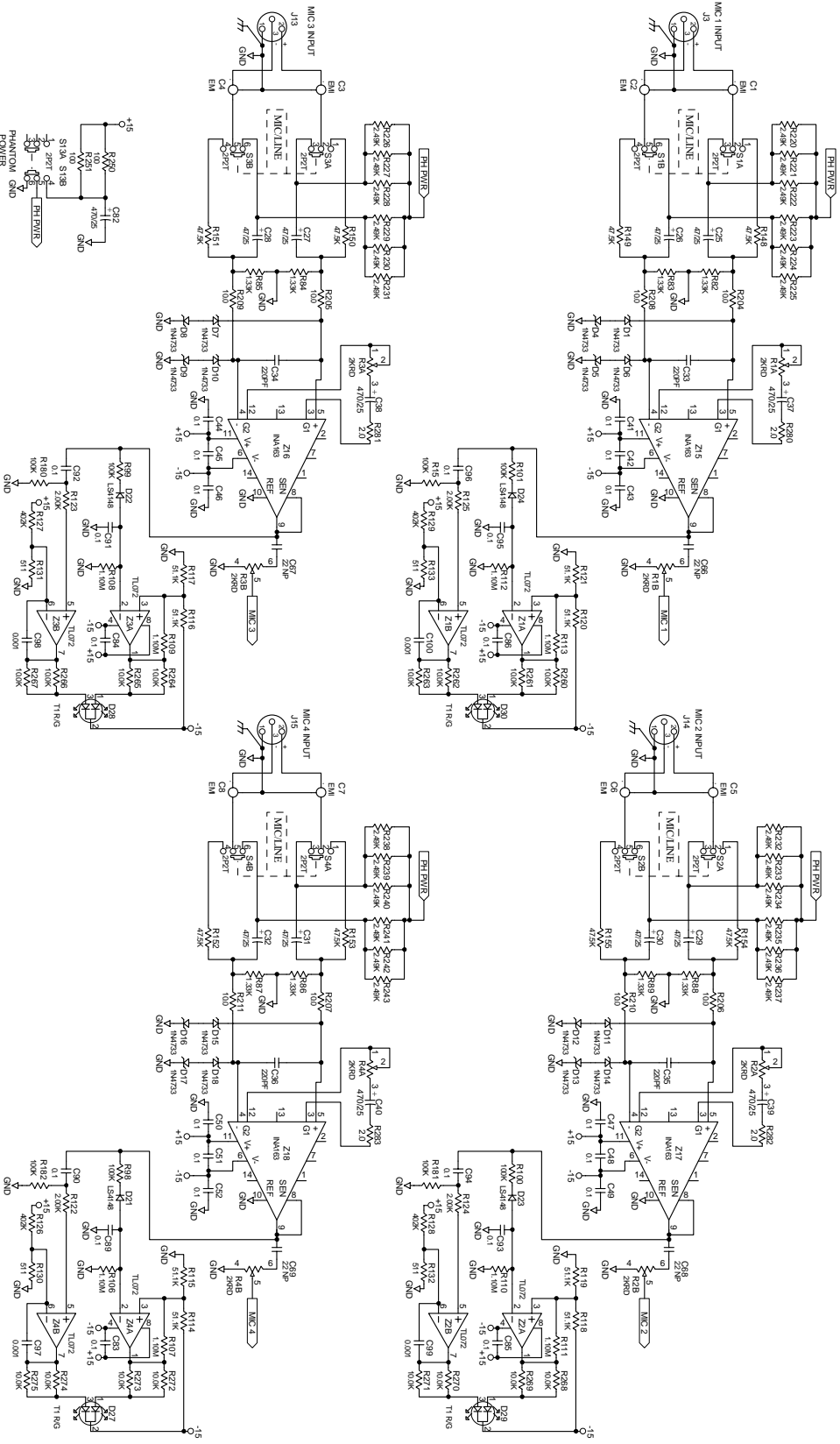


Rane Corp. (425)355-6000
 106100 DES MLM82A
 ACTION: NEW POTS, WAS DOC 105160 SKH 30MAY02



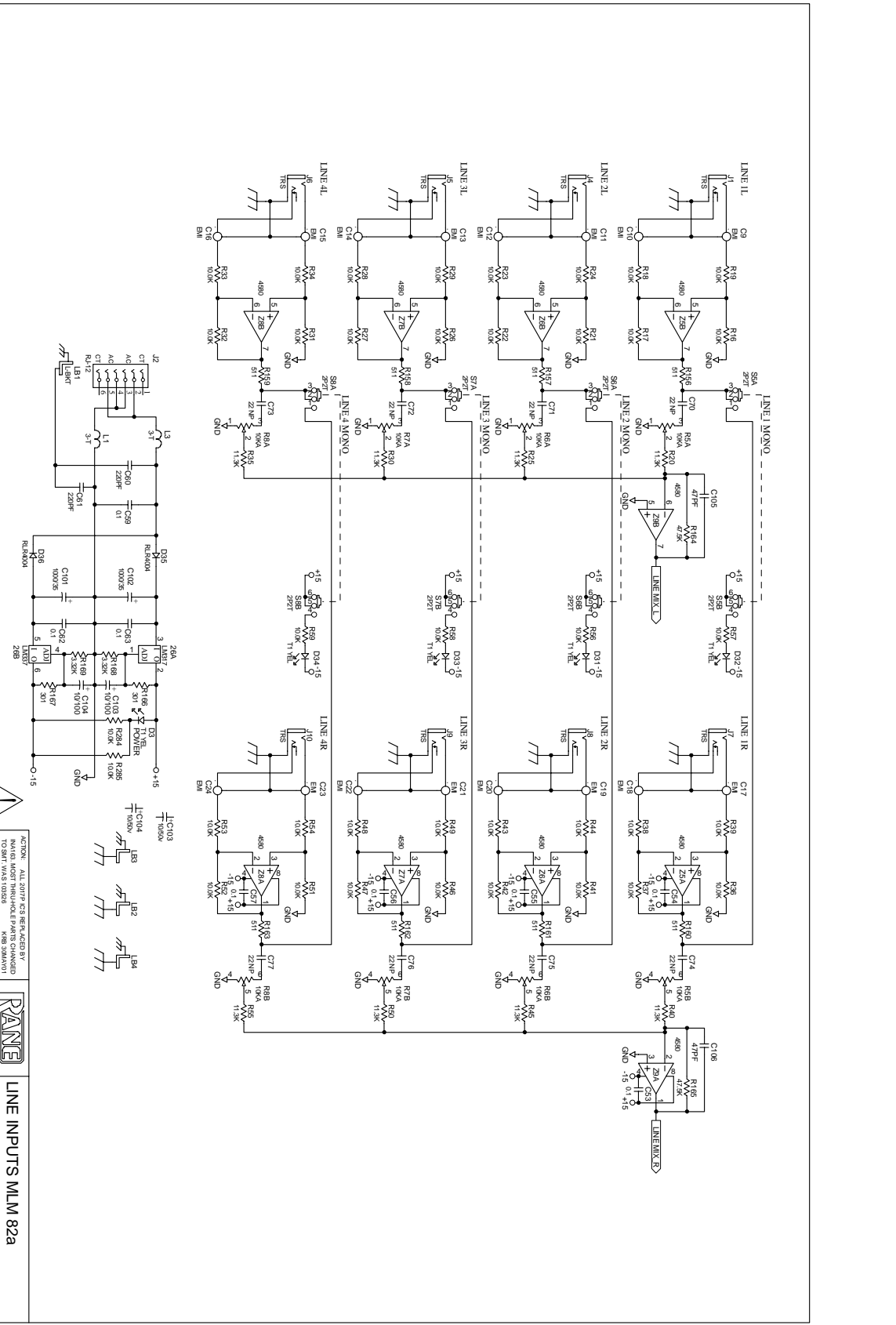
14-10002-210-0033-1 SCH 31-MAR-2001

LINE INPUT MIC OUTPUT
 10002-233-1 10002-233-1



ACTION: ALL 2017 C32 REB. ACTION BY: KRB
 NAME: MIC INPUTS MLM 82a CHANGED TO: MIC INPUTS MLM 82a
 DRAWN BY: RJ
 CHECKED BY: RJ
 NUMBER: 104633

PANE MIC INPUTS MLM 82a
 SHEET 1 OF 3 104633

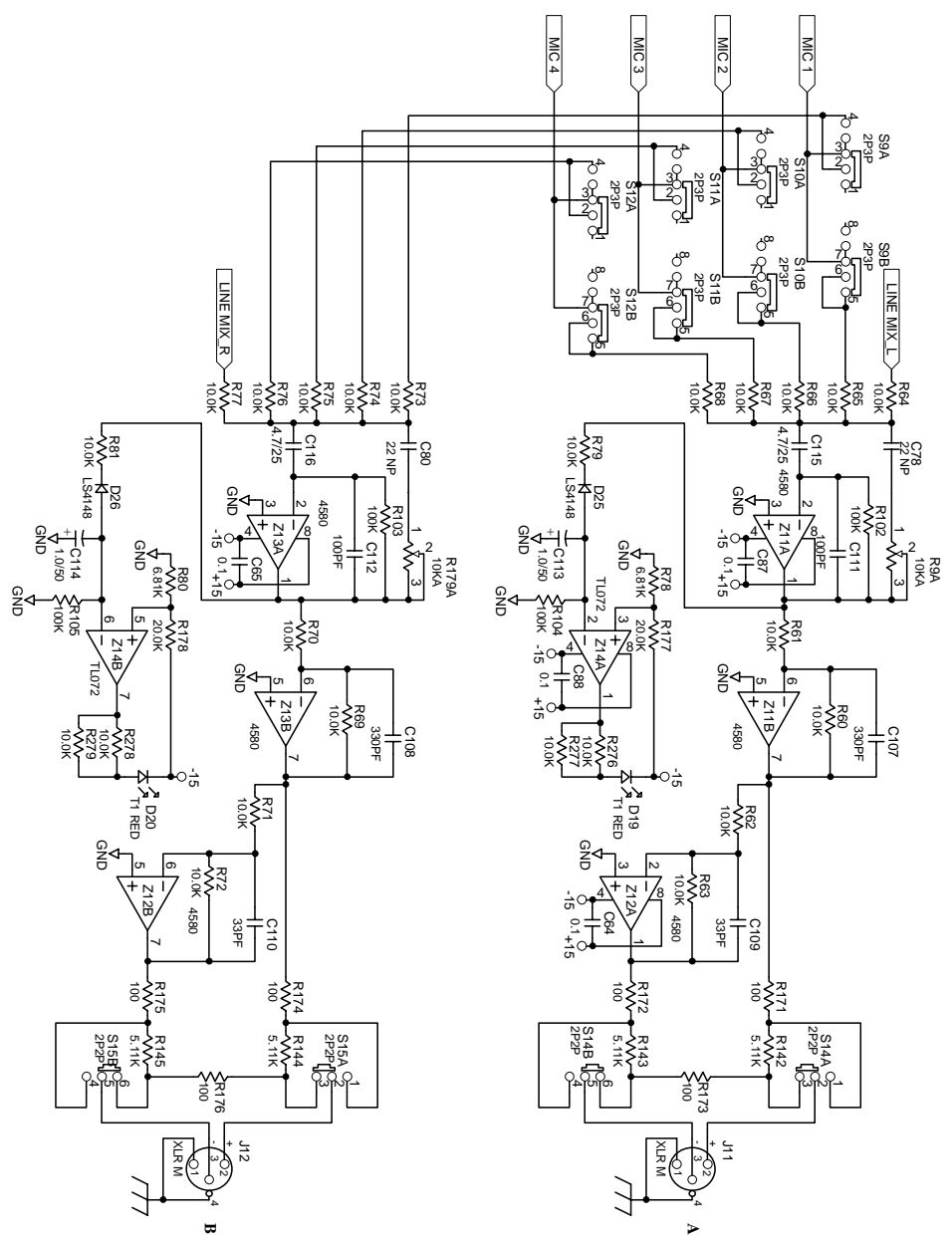


ACTIVE - ALL 2017 C3 REAR DECK BY
 NAME(S) MUST THROUGH PRINTS CHANGED
 TO SMT WAS 10258
 DRAWN BY: RJ
 CHECKED BY: RJ
 KRB 30/04/01
 NUMBER VIA 08273-2038

10082 27th Avenue West
 VANCOUVER, BC V6V 2G9
 CANADA

SHEET 2 OF 3
 104633

LINE INPUTS MLM 82A



ACTION: ALL 2077F IC'S REPLACED BY
 M163 MOST THRU-HOLE PARTS CHANGED
 TO SMT. WAS 103528
 KRB 30MAY01
 DRAWN BY: **RJ** CHECKED BY: **RJ**
 30MAY01

RANER
 10802 47th Avenue West
 Mukilteo WA 98275-5098

MIX/OUTPUT MLM 82a
 SHEET: 3 of 3
 104633