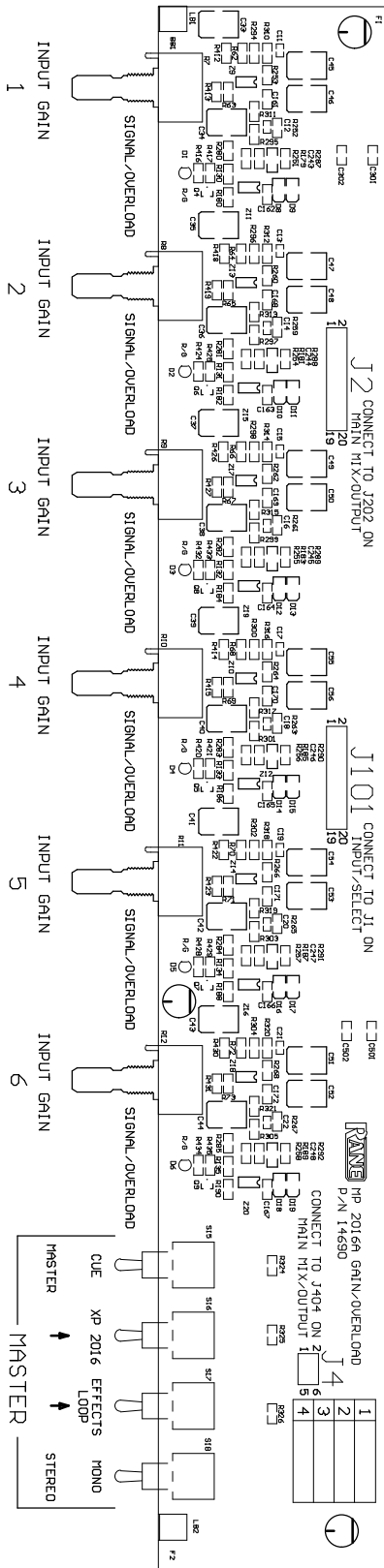
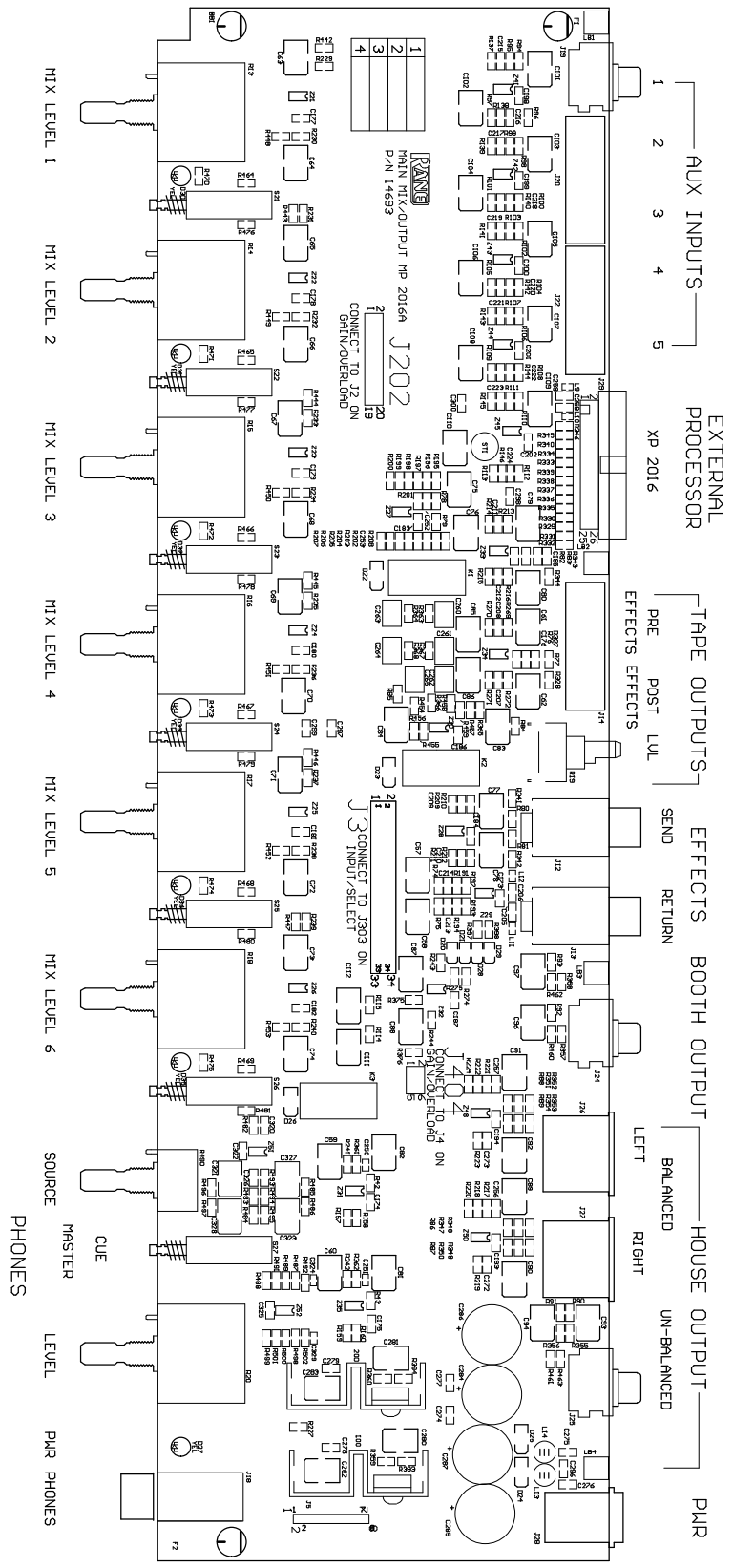
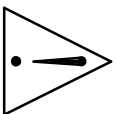
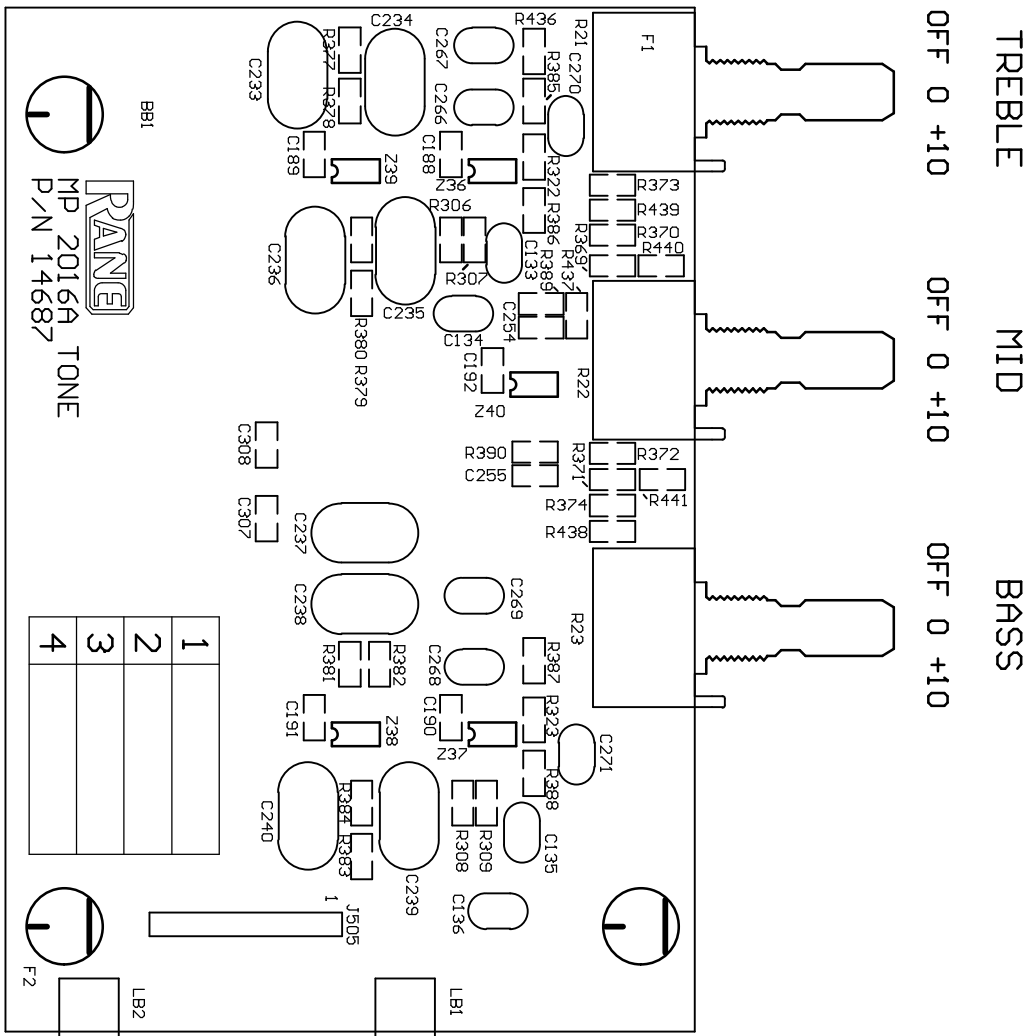


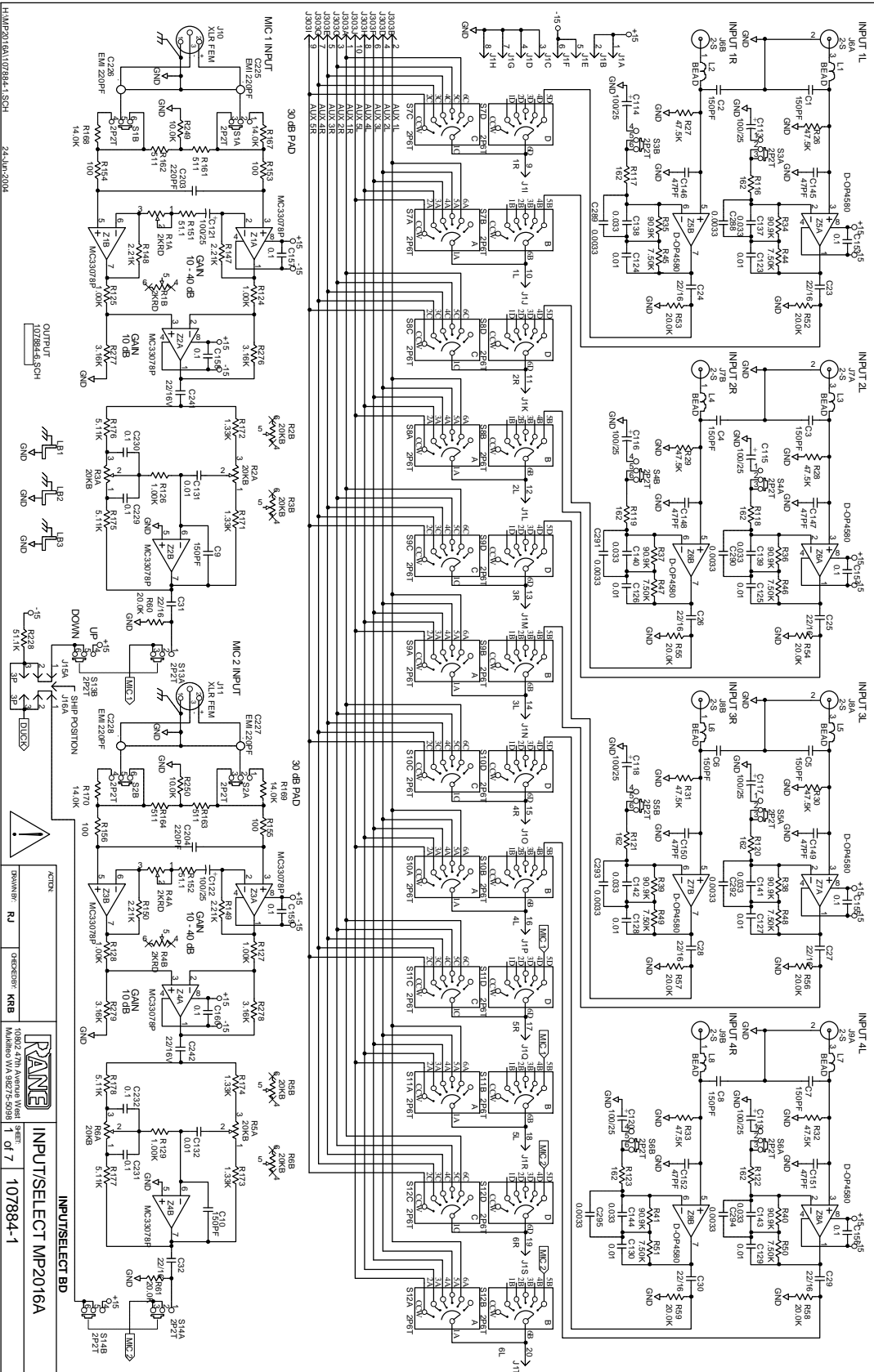
Rane Corp. (425)355-6000
 107895 DES MP 2016A INPUT/SELECT
 ACTION: NEW PRODUCT MK1 10MAY04







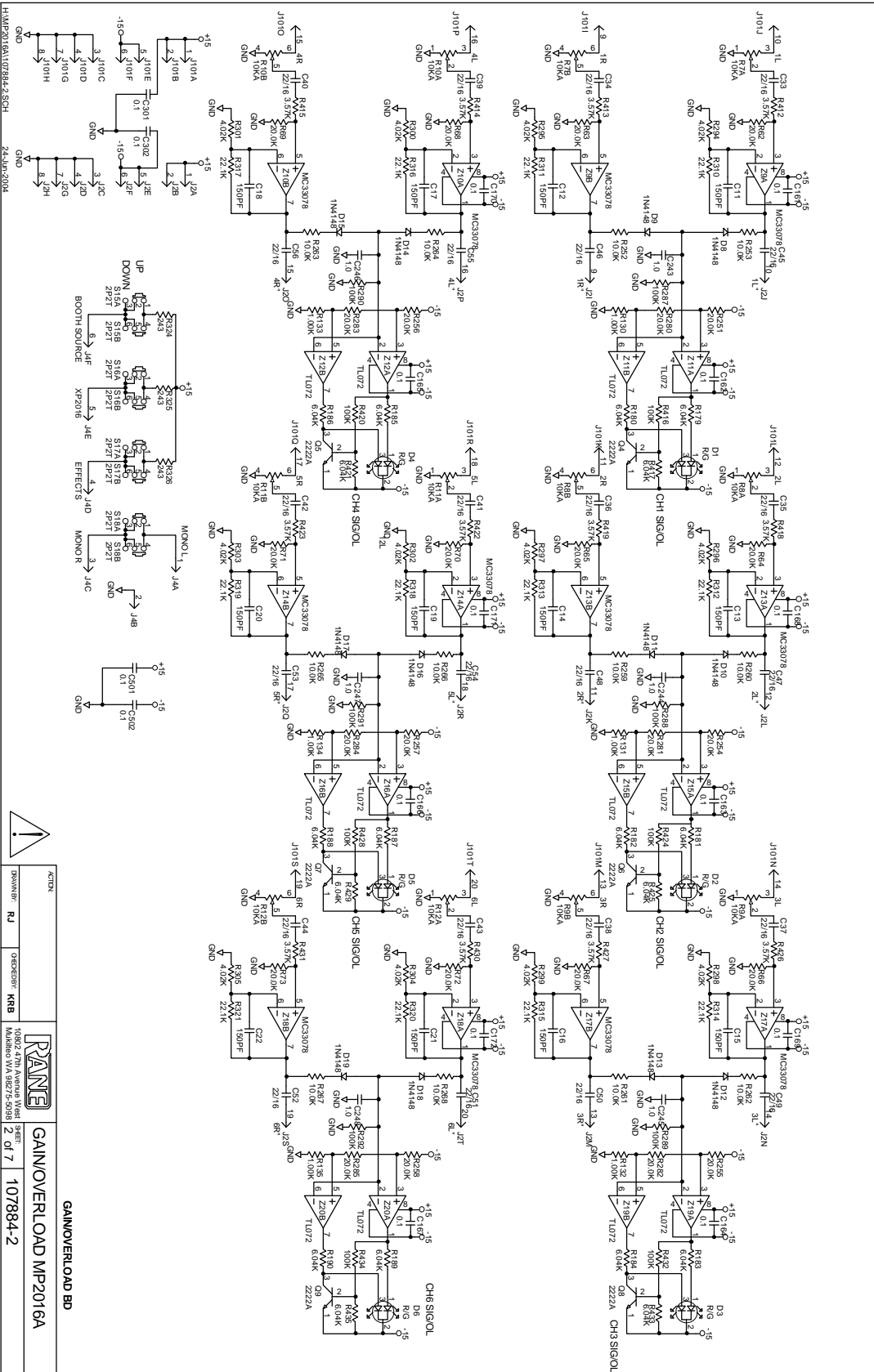
Rane Corp. (425)355-6000
 107923 DES MP 2016A TONE SHT 1 OF 2
 NEW PRODUCT MKM 4MAY04



HWP/2016A/17/84-1-SCH 24-Jun-2004

REVISION	DATE	BY	DESCRIPTION
1			
2			
3			
4			
5			
6			
7			
8			
9			
10			
11			
12			
13			
14			
15			
16			
17			
18			
19			
20			
21			
22			
23			
24			
25			
26			
27			
28			
29			
30			
31			
32			
33			
34			
35			
36			
37			
38			
39			
40			
41			
42			
43			
44			
45			
46			
47			
48			
49			
50			
51			
52			
53			
54			
55			
56			
57			
58			
59			
60			
61			
62			
63			
64			
65			
66			
67			
68			
69			
70			
71			
72			
73			
74			
75			
76			
77			
78			
79			
80			
81			
82			
83			
84			
85			
86			
87			
88			
89			
90			
91			
92			
93			
94			
95			
96			
97			
98			
99			
100			

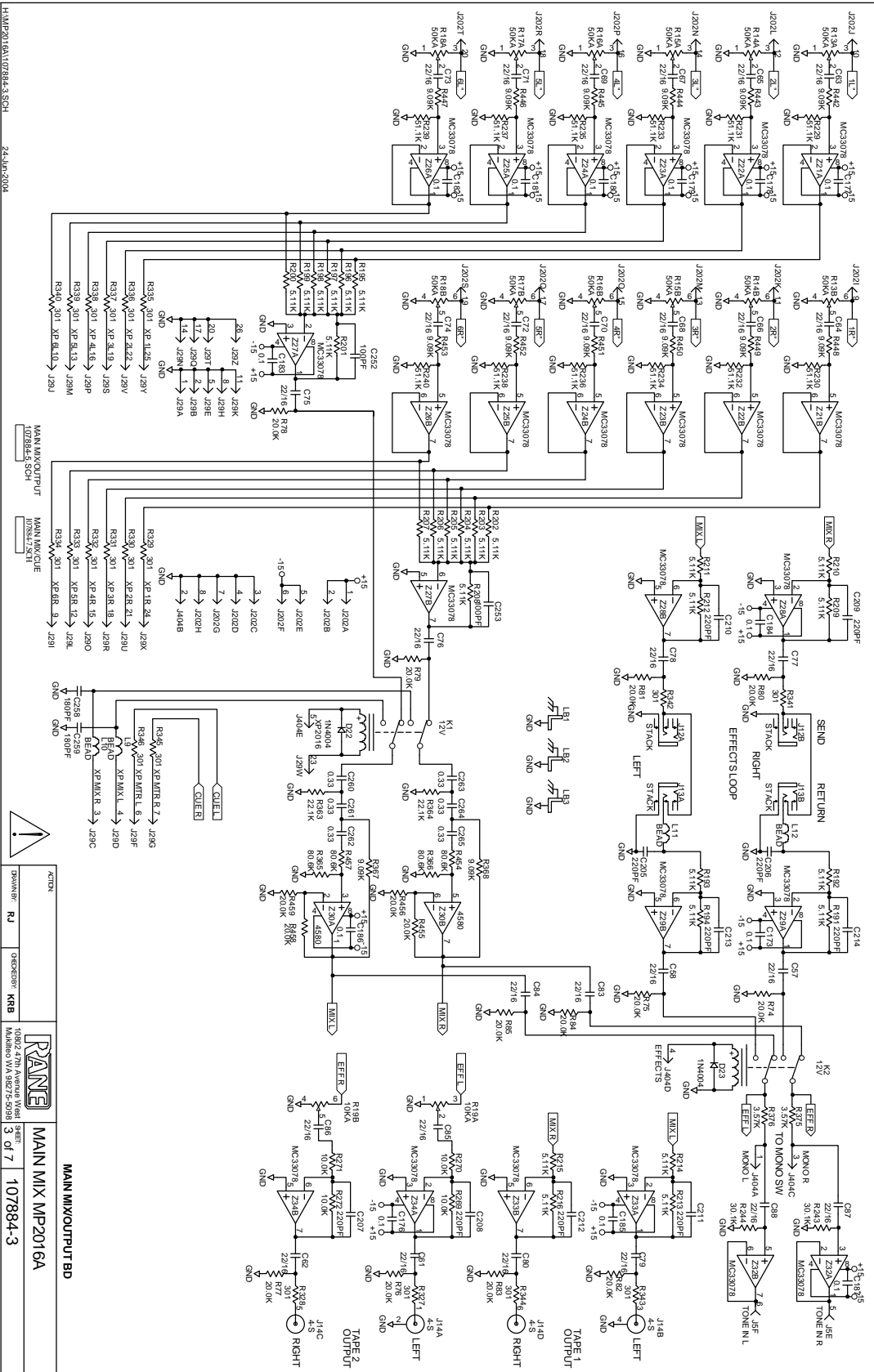
PANE
 10802 27th Avenue West SEET
 Mukwonago, WI 53075-5889 | 01 7 107884-1



H:\HW\F2016A\107884-2-SCH 24-Jun-2004



ACTION	REVISION	DATE	BY
	1		
DESIGNED BY	RU	CHECKED BY	KRB
		10802 27th Avenue West	SEATTLE, WA 98148
GANOVERLOAD MP2016A		Sheet	2 of 7
GANOVERLOAD BD		Part No.	107884-2



H:\MP216A\107884-3.SCH 24.Jun.2004

MAIN MIXCUTPUT
107884-3.SCH

MAIN MIXCUTPUT
107884-3.SCH

ACTOR
DRAWN: RJ
CHECKED: KRB

10802 47th Avenue West
Maplewood, NJ 07040
3 of 7 107884-3

MAIN MIX MP2016A

MAIN MIX/OUTPUT BD

ACTION:

DRAWN BY: **RJ**

CHECKED BY: **KRB**



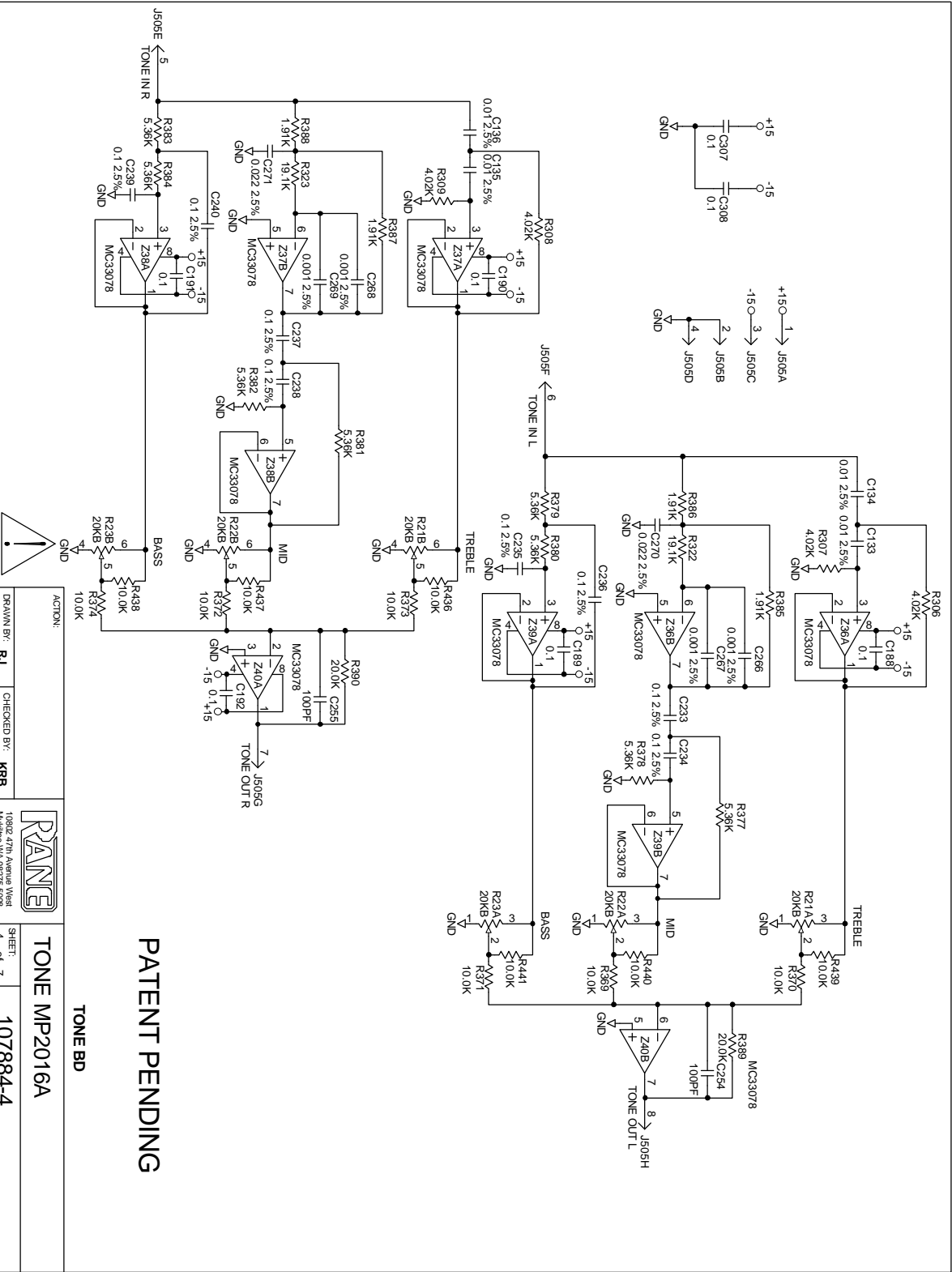
TONE MP2016A

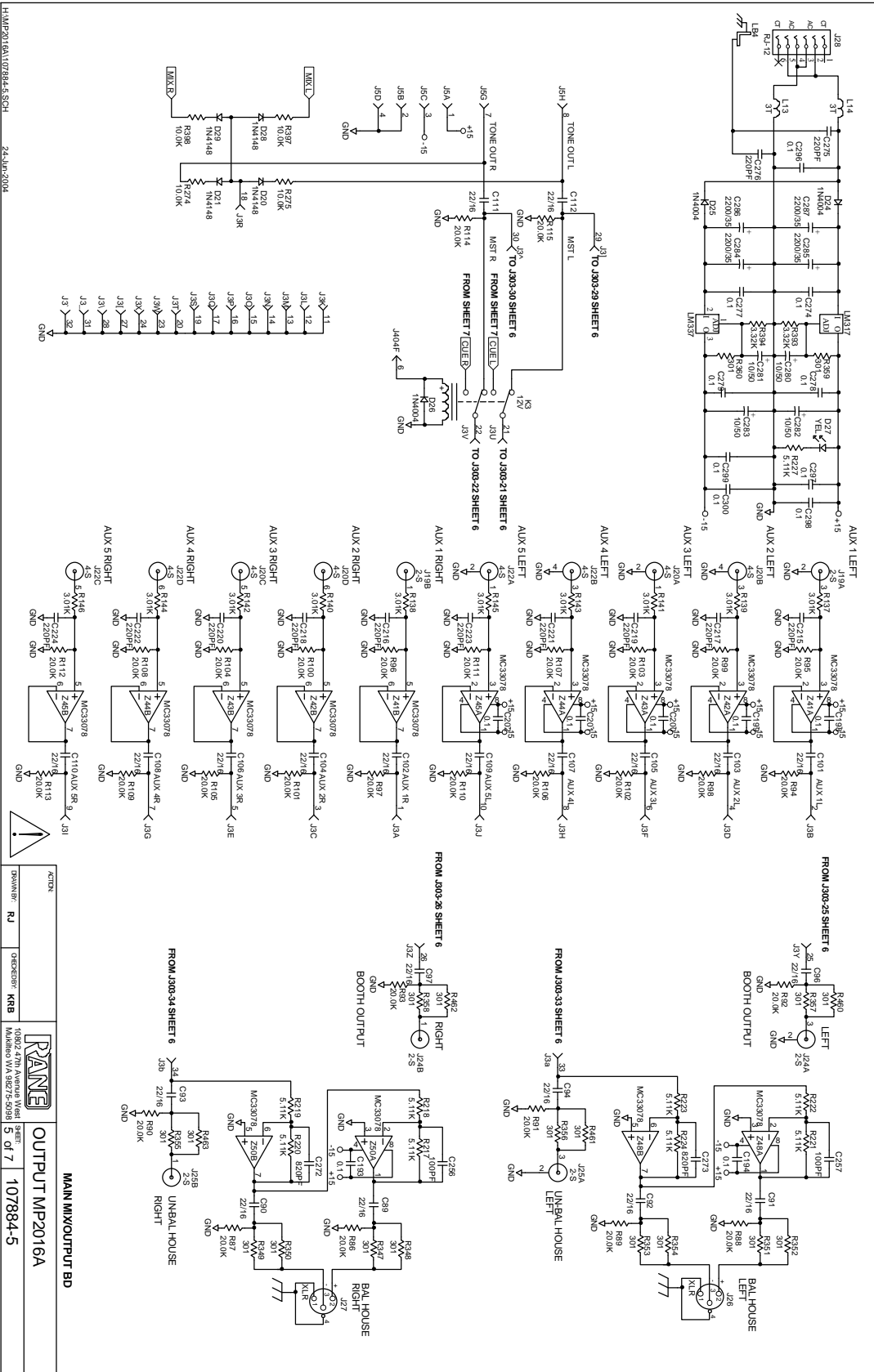
SHEET: 4 of 7

107884-4

PATENT PENDING

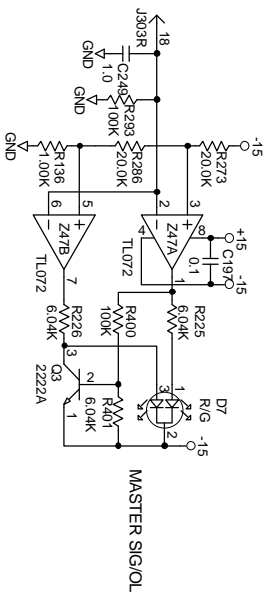
TONE BD



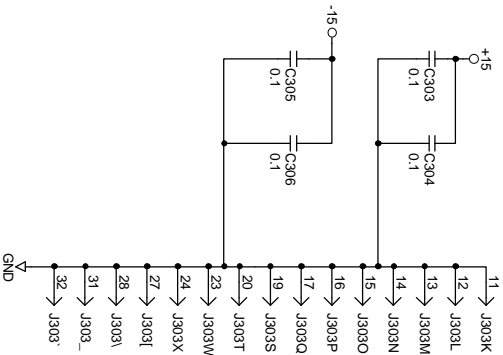
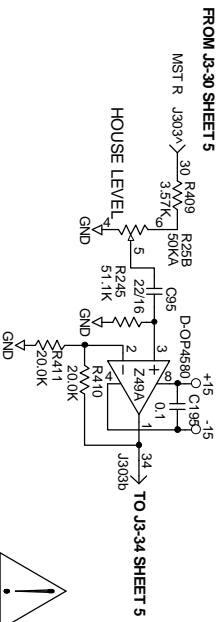
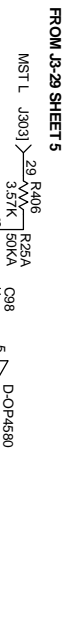
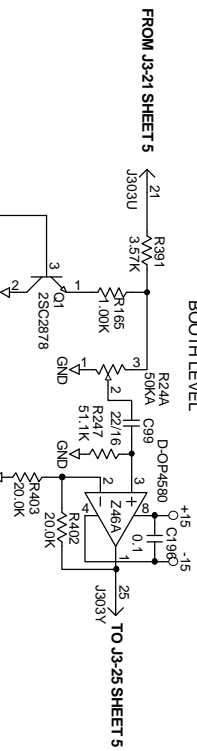


SECTION	OUTPUT MP2016A
DRAWN BY	RJ
CHECKED BY	KRB
DATE	1082 27th Avenue West Mankato, MN 56225-5898
SHEET	5 of 7
PROJECT	107884-5

MAIN MIX/OUTPUT BD



BOOTH LEVEL



INPUT/SELECT BD

OUTPUT MP2016A



ACTION:

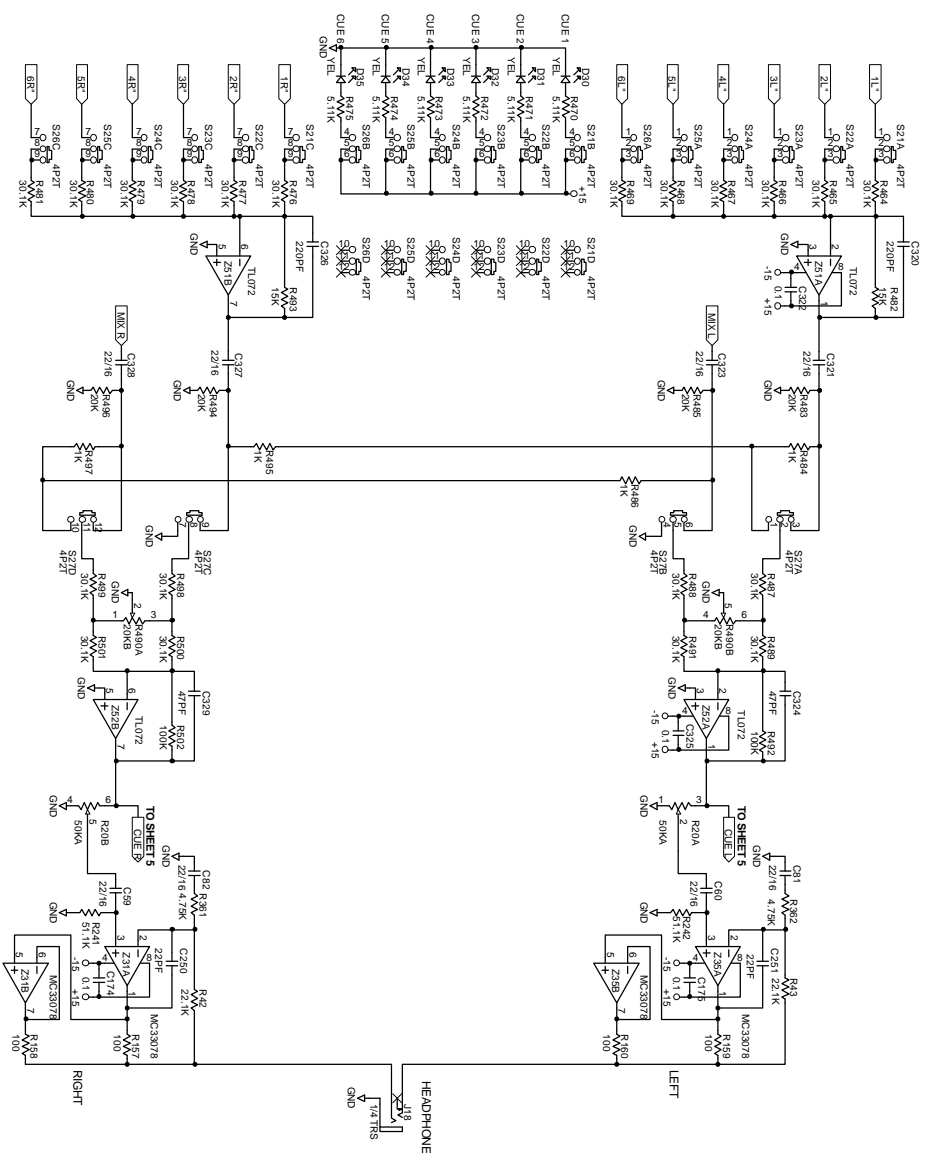
DRAWN BY: **RJ**

CHECKED BY: **KRB**



SHEET: 6 of 7

107884-6



ACTION	REVISION	DATE	BY	CHKD BY
10802 47th Avenue West Mukwonago, WI 53075-5898				
SHEET 7 of 7				
CUE MONITOR MP2016A				
107884-7				

MAIN MIXOUTPUT BD