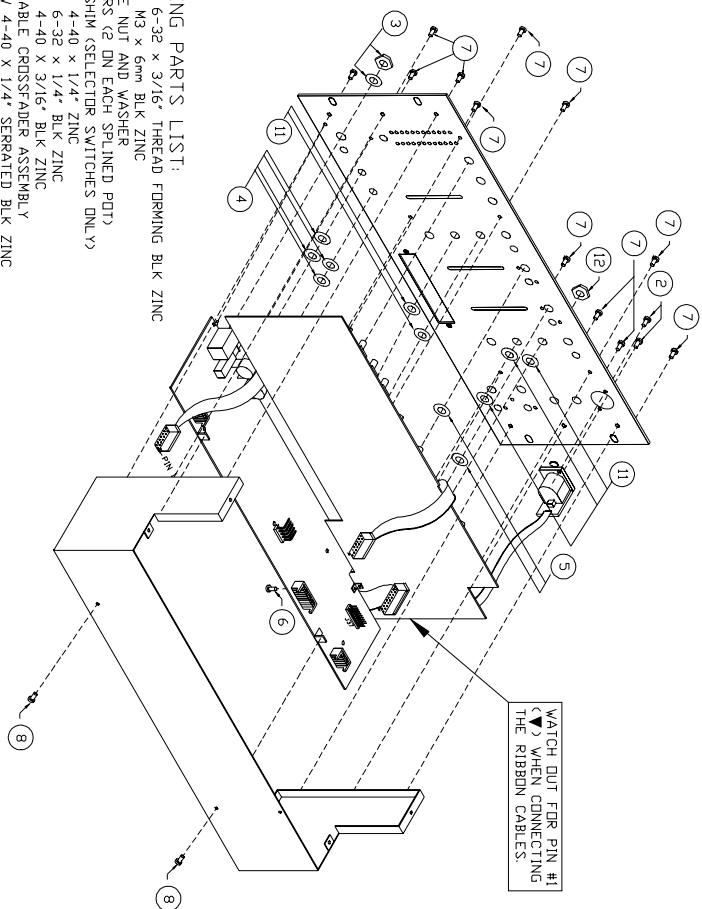
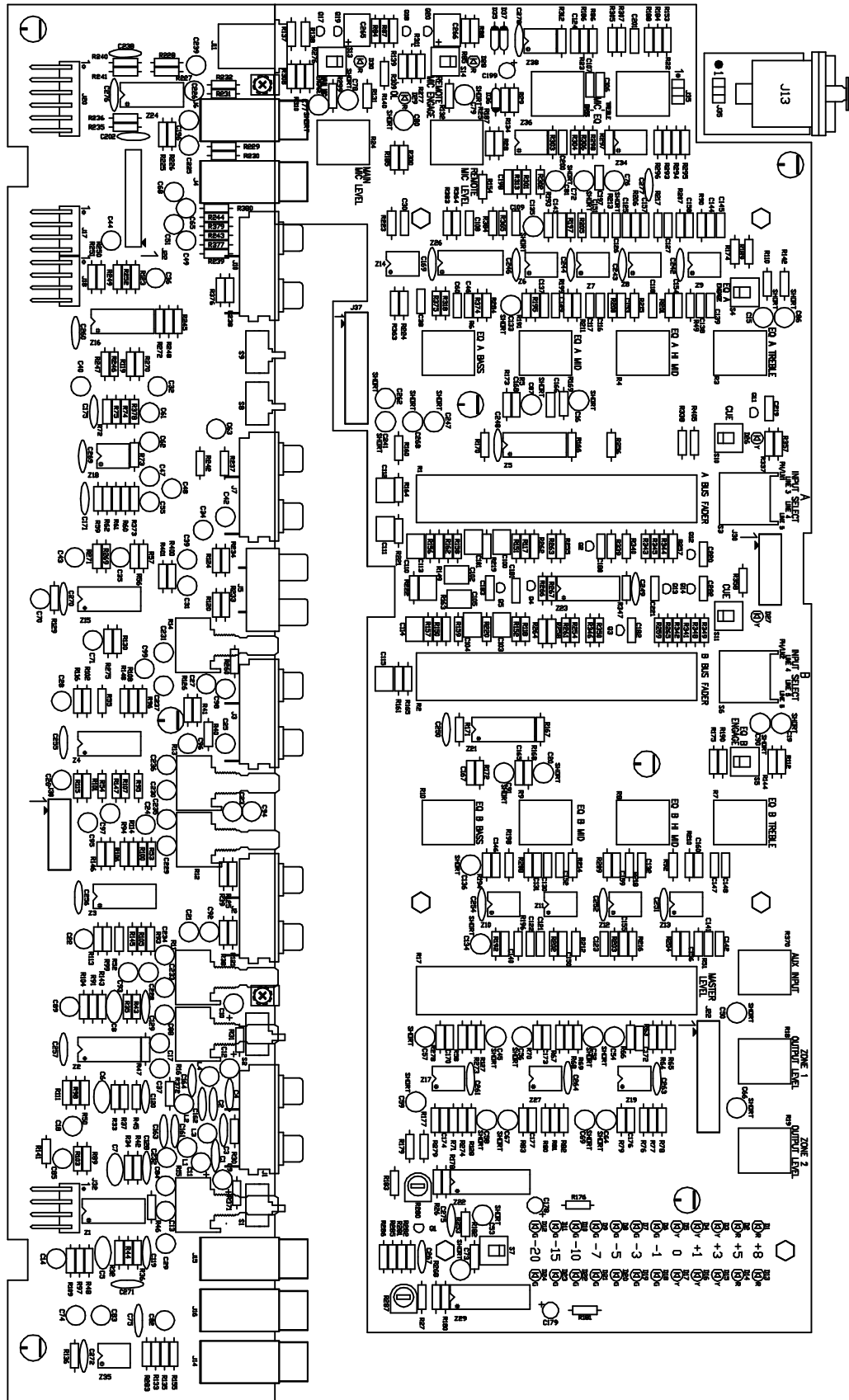
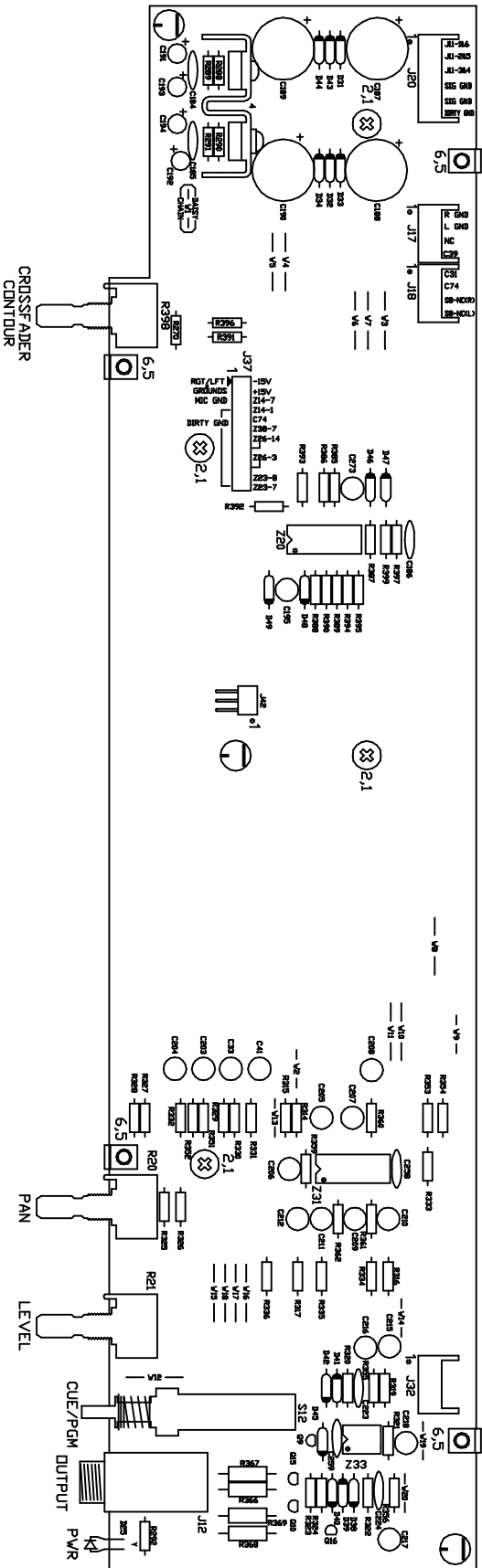


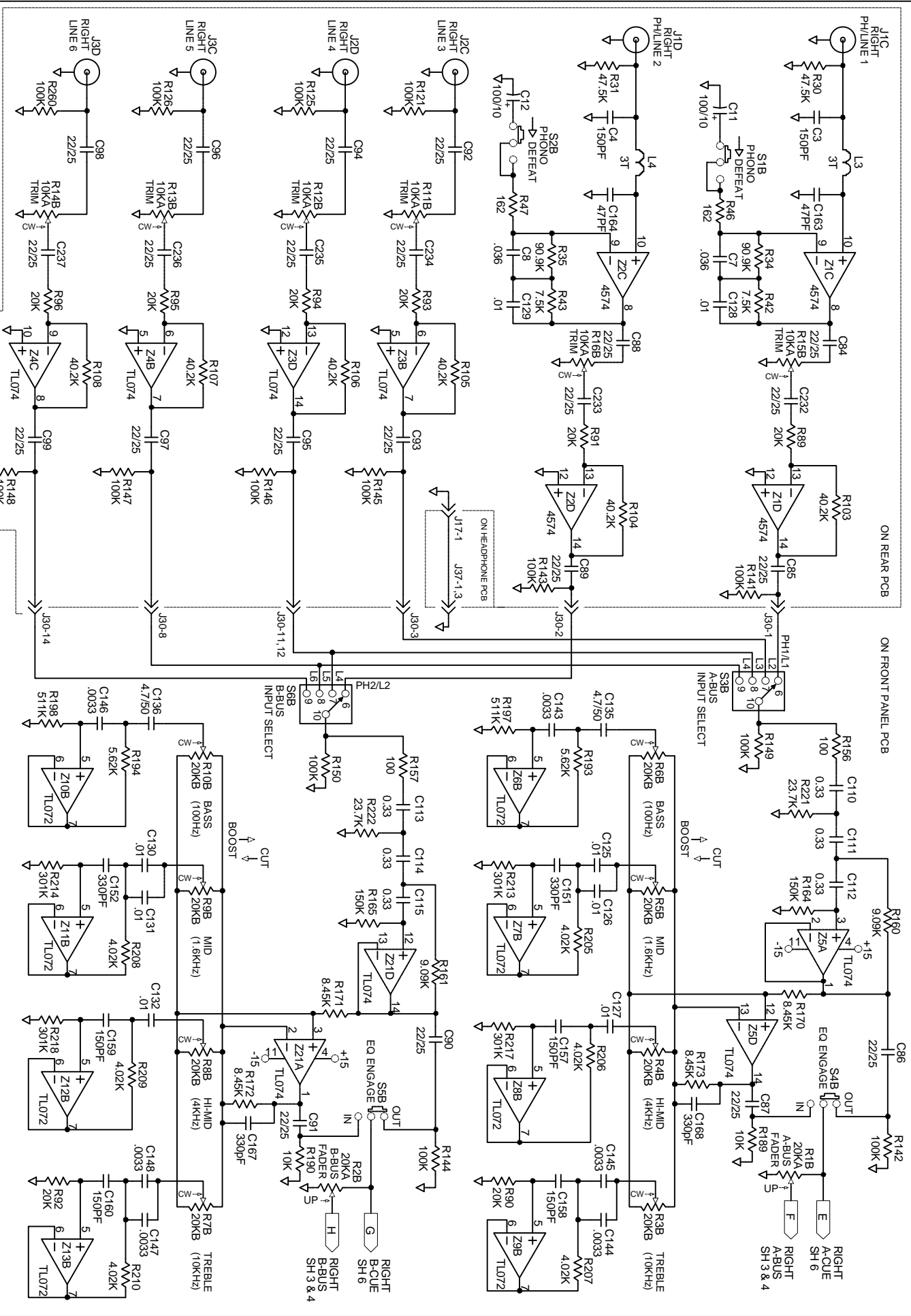
- FASTENING PARTS LIST:**
- 1 = SCREW 6-32 x 3/16" THREAD FORMING BLK ZINC
 - 2 = SCREW M3 x 6mm BLK ZINC
 - 3 = CHROME NUT AND WASHER
 - 4 = SPACERS (2 ON EACH SPLINED POT)
 - 5 = THIN SHIM (SELECTOR SWITCHES ONLY)
 - 6 = SCREW 4-40 x 1/4" ZINC
 - 7 = SCREW 6-32 x 1/4" BLK ZINC
 - 8 = SCREW 4-40 x 3/16" BLK ZINC
 - 9 = REMOVABLE CROSSFADER ASSEMBLY
 - 10 = SCREW 4-40 x 1/4" SERRATED BLK ZINC
 - 11 = 9MM FLAT WASHER (EQ HIGH/MID, MID & MAIN MIC POT)
 - 12 = 9MM NUT (MAIN MIC POT)





Rane Corp. (425)355-6000
 103823 DES FRT/REAR MP22z
 ACTION: ADDED POLARITY TO C265 & C266, WAS 102289, FJ 19JAN00





NOTES: (UNLESS OTHERWISE SPECIFIED)

1. ALL RES 1/4W, 1% METAL FILM
2. ALL SWS SHOWN IN THEIR "OUT" OR "OFF" POSITION

H:\MP22Z\103825-2.SCH 20-Jan-2000

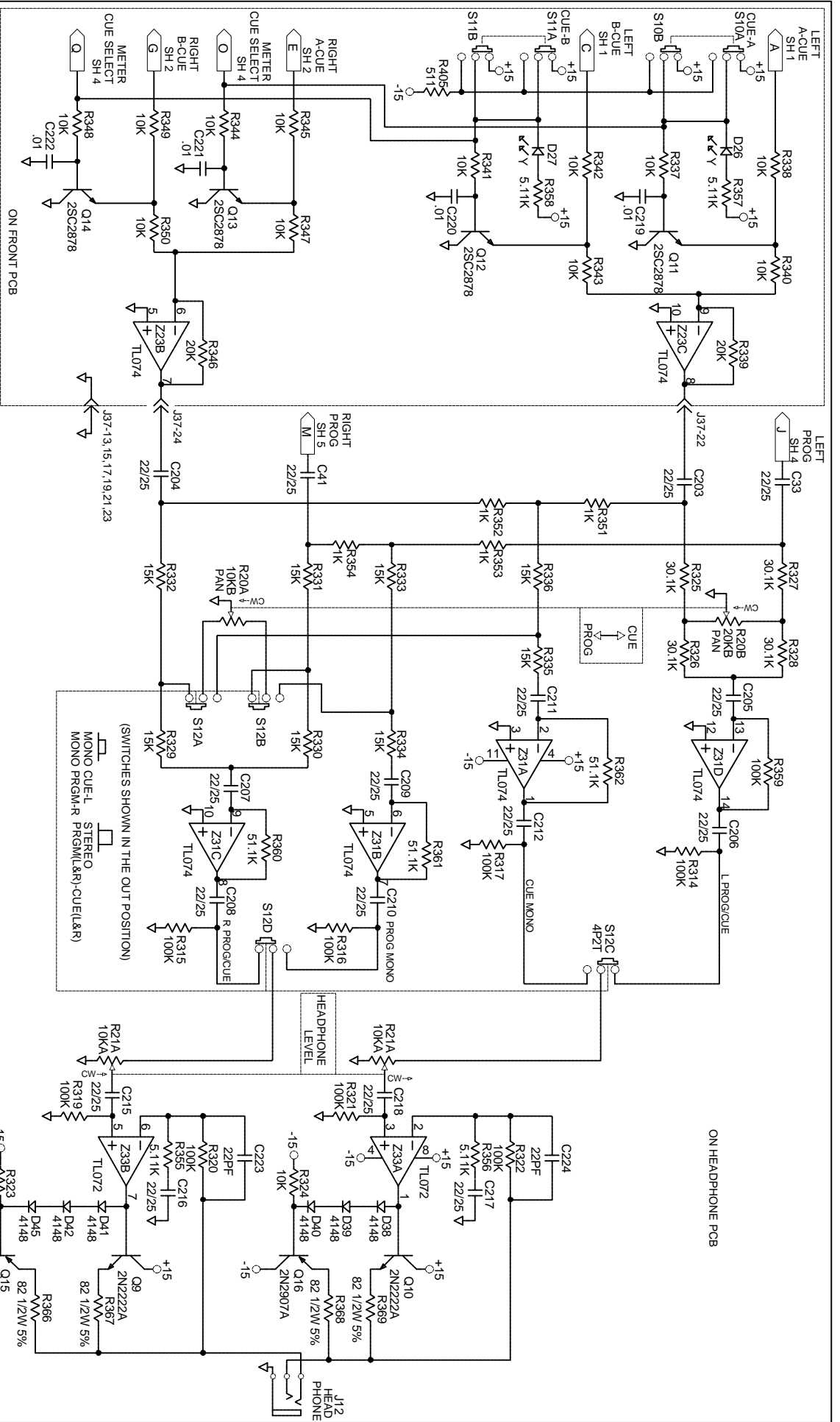
ACTION: REVISED C110-C115 TO .33, R160 & R161 TO 9.09K, R164 & R165 TO 150K, R221 & R222 TO 23.7K DERIVED FROM 103162. FL 1-20-00
 DRAWN BY: SKH
 CHECKED BY: RGH



10902 47th Avenue West
 Mukilteo WA 98275-5098

SCHEM MP22Z RT INS & EQ

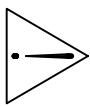
SHEET: 2 of 7
103825



SEE NOTES ON SH 2

H:\MP22Z\103825-6-SCH

20-Jan-2000



ACTION:
NO CHANGE TO THIS SHEET
DERIVED FROM 1031629 J 1-20-00

DRAWN BY: SKH
CHECKED BY: RGH

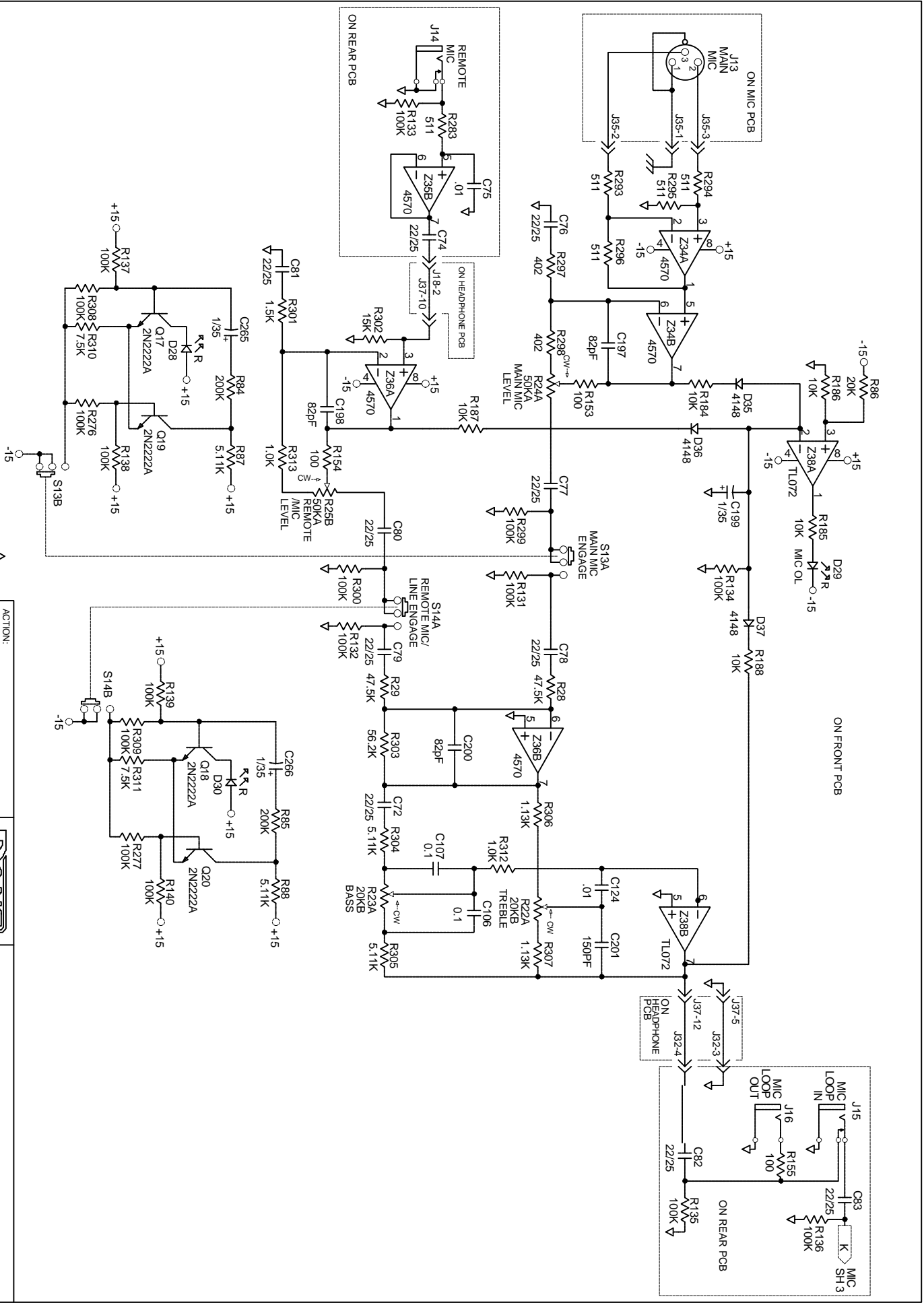


10802 47th Avenue West
Mukilteo WA 98275-5098

MP 22z HEADPHONE

SHEET: 6 of 7

103825



SEE NOTES ON SH 2
 H:\MP22Z\103824-7.SCH
 20-Jan-2000

ACTION:
 REVISED C266 & C266 TO 1/35
 WAS 103361, FJ 19JAN00

DRAWN BY: SKH
 CHECKED BY: RGH

10802 47th Avenue West
 Mukilteo WA 98275-5098

MP 22z MIC
 SHEET: 7 of 7

103824 CONFIDENTIAL