

NOTES (UNLESS OTHERWISE SPECIFIED):

1. ALL RESISTORS 1/4W, 1% METAL FILM
2. ALL SWITCHES SHOWN IN THEIR 'OUT' OR 'OFF' POSITION

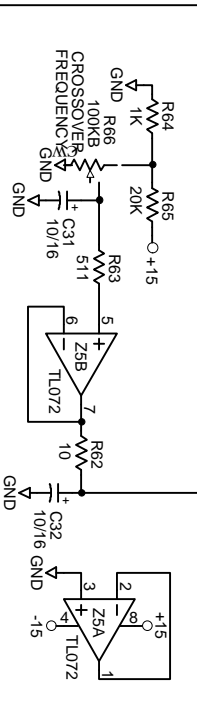
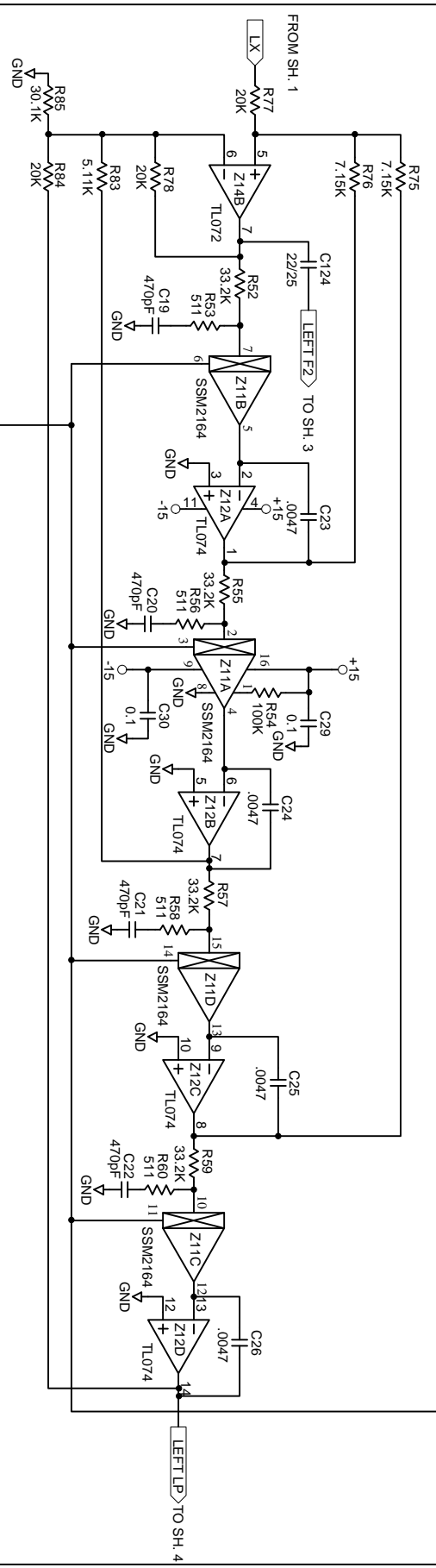
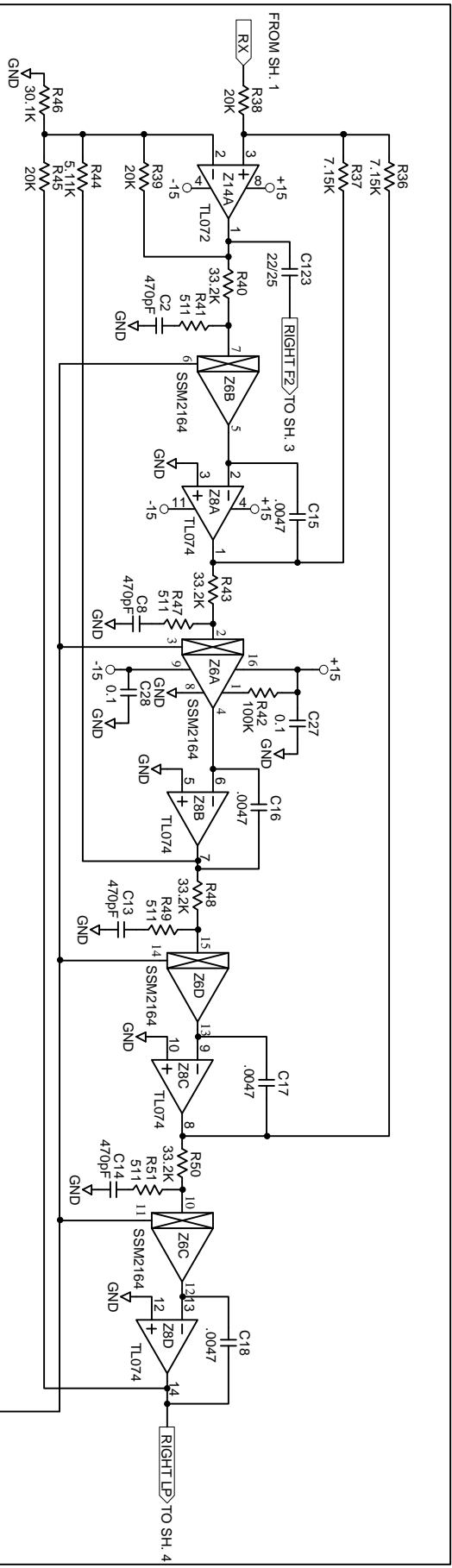
LOW CROSSOVER 100459-2-SCH
 MID/HIGH CROSSOVER 100459-3-SCH
 LOW/SUB OUTPUTS 100459-4-SCH
 MID/HIGH OUTPUTS/POWER 100459-5-SCH

ACTION: NO CHANGE TO PART
 NEW DOC# FJ 16LAN98
 SCHEM: INPUTS MX 23

DRAWN BY: S HEADRECK
 CHECKED BY: R JEFFS
 10802 47th Avenue West
 Tukwila WA 98175-5098



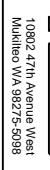
SHEET: 1 of 5
 100459



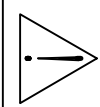
VOLTAGE RANGE = 7V -> 20V
 FREQUENCY RANGE = 80 Hz -> 1 KHz

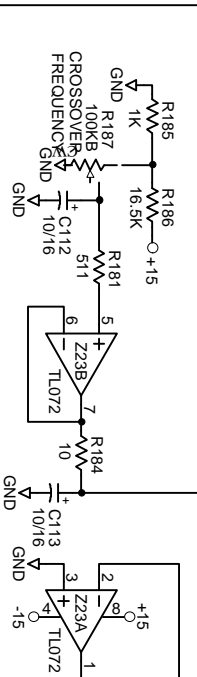
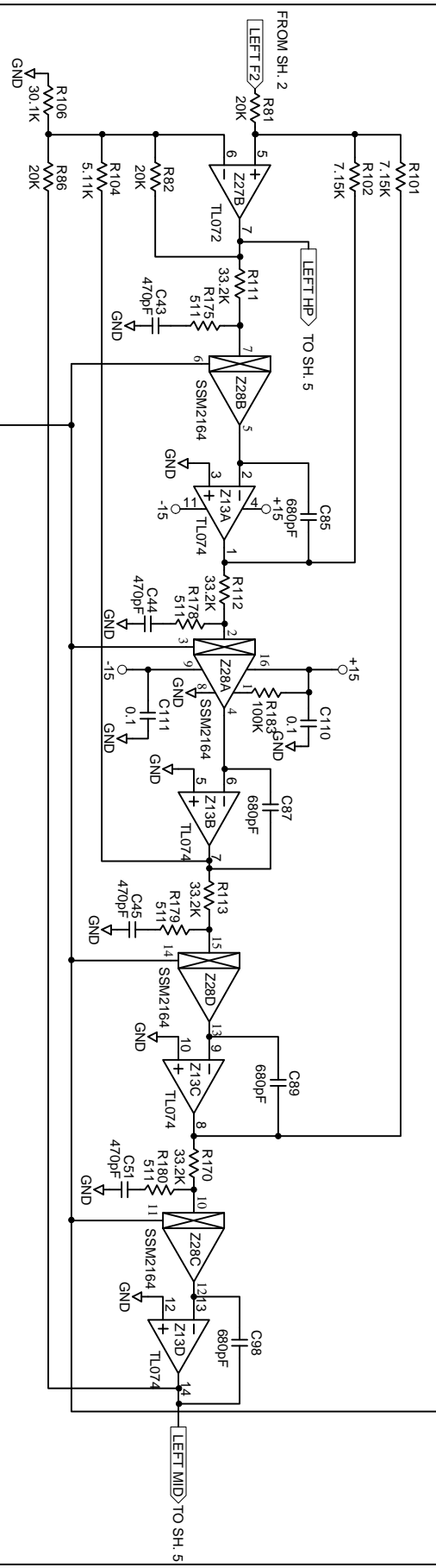
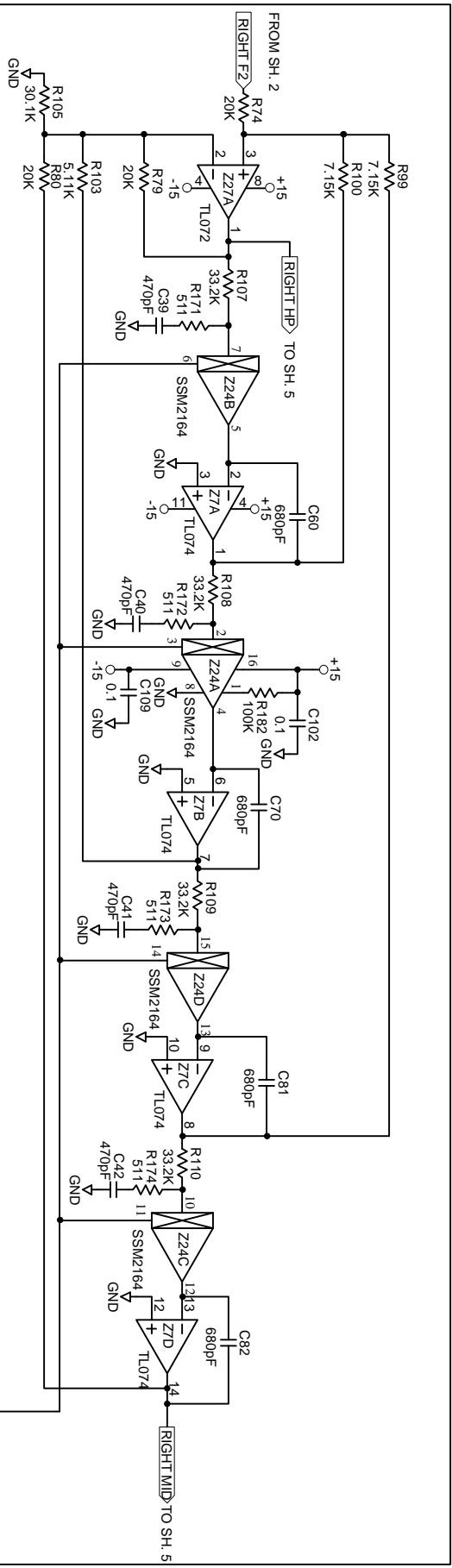
ACTION:		NO CHANGE TO PART.	
DRAWN BY:		NEW DDC# E116AN98	
CHECKED BY:		R. JEFFS	
DRAWN BY:		S. HEADRICK	
SHEET:		2 of 5	
PART NUMBER:		100459	

SCHEM: LOW XOVER MX 23

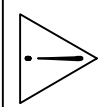


10802 47th Avenue West
 Mukwonago, WI 53075-5038

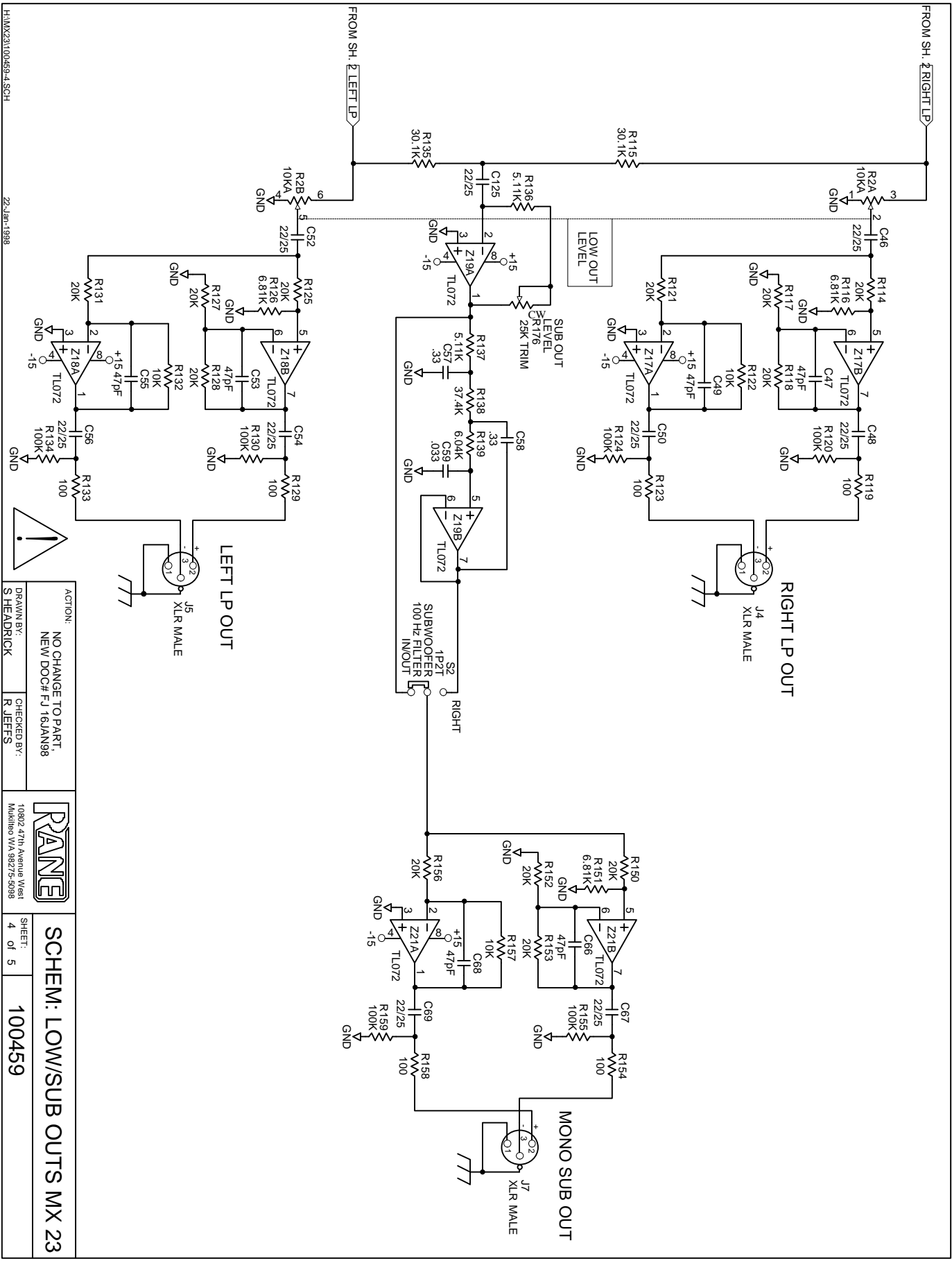




VOLTAGE RANGE = 83V, -20V
 FREQUENCY RANGE = 350 Hz -> 7 kHz



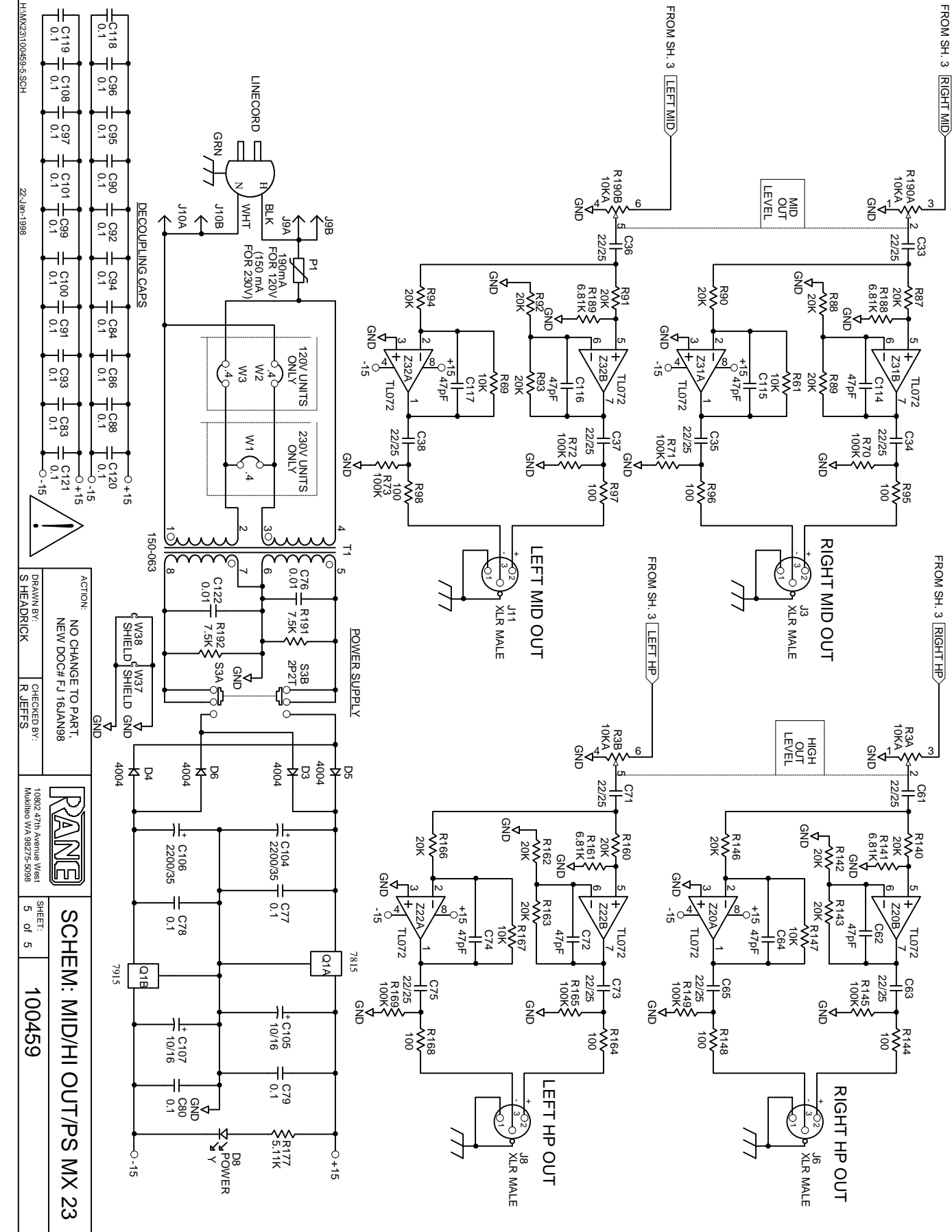
ACTION:		NO CHANGE TO PART.	
DRAWN BY:		NEW/DOCH/EJ 16/JAN/98	
CHECKED BY:		R.JEFFS	
DRAWN BY:		R.JEFFS	
SHEET:		3 of 5	
SCHEM: MID/HIGH XOVR MX 23		100459	
DRAWING NO:		10802 47th Avenue West	
DRAWING BY:		MADISON WA 98275-5038	



ACTION: NO CHANGE TO PART.
 DRAWN BY: S HEADRICK
 CHECKED BY: R JEFFS



SHEET: 4 of 5
 SCHEM: LOW/SUB OUTS MX 23
 100459



FROM SH. 3 RIGHT MID

FROM SH. 3 LEFT MID

FROM SH. 3 RIGHT HP

FROM SH. 3 LEFT HP

LINECORD

DECOUPLING CAPS

POWER SUPPLY

NO CHANGE TO PART.

NEW DOC# FJ 16AN98

SCHEM: MID/Hi OUT/PS MX 23

100459

ACTION:	NO CHANGE TO PART.
DRAWN BY:	S HEADRICK
CHECKED BY:	R JEFFS
SHEET:	5 of 5

10802 47th Avenue West
 Tukwila WA 98179-5098

H:\MX23\100459-5-SCH 22-11-1998