

PE 51 ADDENDUM

OVERVIEW:

The PE 51 has been designed to meet the needs of those individual who, in their never ending quest to provide the very best in sound reinforcement, require special attention to the low bass range of the audio spectrum. The PE 51, unlike it's counterpart the PE 15, has all of it's five bands of parametric equalization devoted solely to those frequencies between 20 and 300Hz. All of this control combined with the performance you've come to expect from RANE provides definition hitherto unknown to this audio range.

CHANGES TO OPERATION AND SERVICE MANUAL:

Pg. 5, SEC. 4, PAR. 2

.....It should be noted that Bands 2-4 can be used for some peaking and notching while shelving Bands 1 and/or 5. This allows both system rolloff correction as well as feedback and hum control.

Pg. 6, SEC. 5, PAR. 2

Because the PE 51 is dedicated to the low bass frequency range the most common location to insert the device in the signal chain is immediatly following the active crossover but preceding the bass amplifier.

Pg. 9, SEC. 7, FEATURES AND SPECIFICATIONS

FREQUENCY RANGES:

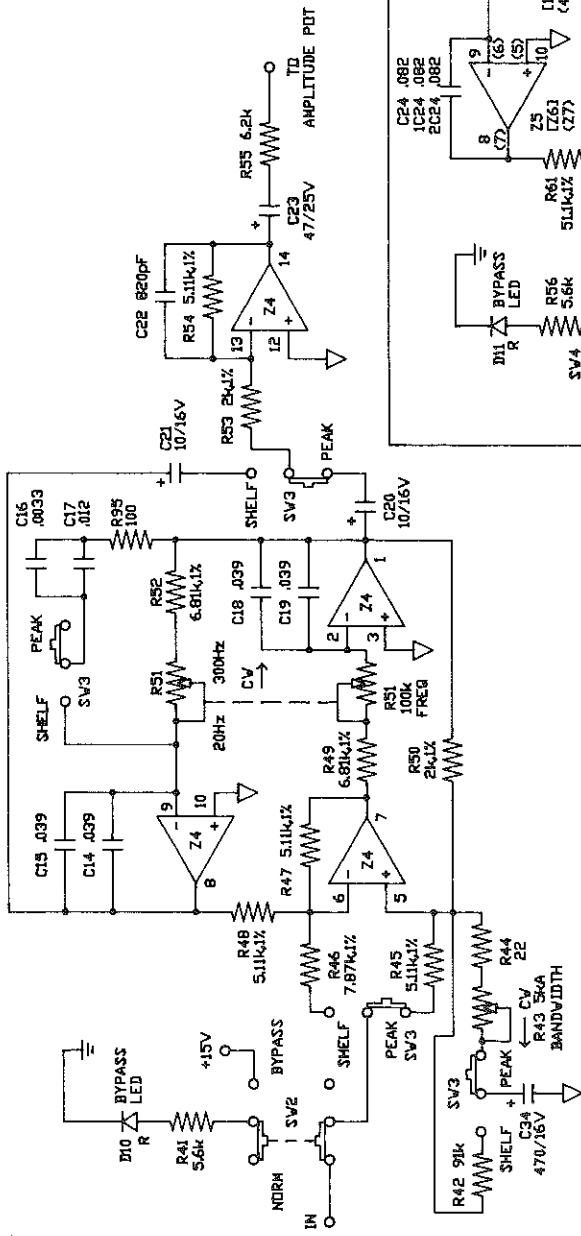
ALL BANDS: 20Hz - 300Hz

Pg. 10-12 SCHEMATICS AND ASSEMBLY DIAGRAMS

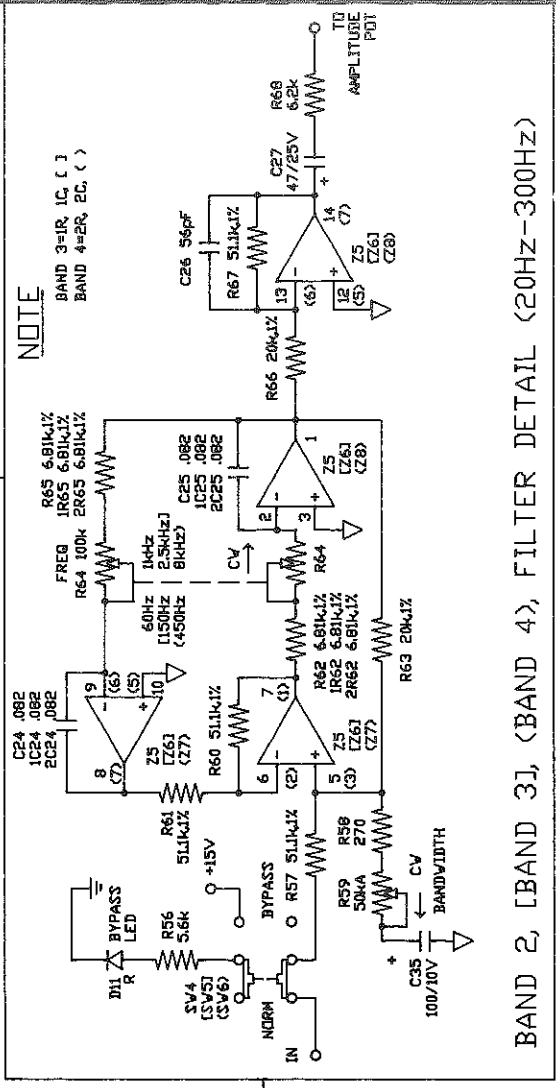
For those users who choose to understand the inner workings and guts of the PE 51 revised drawings are included to aid you in your quest.

NOTES (UNLESS OTHERWISE NOTED)

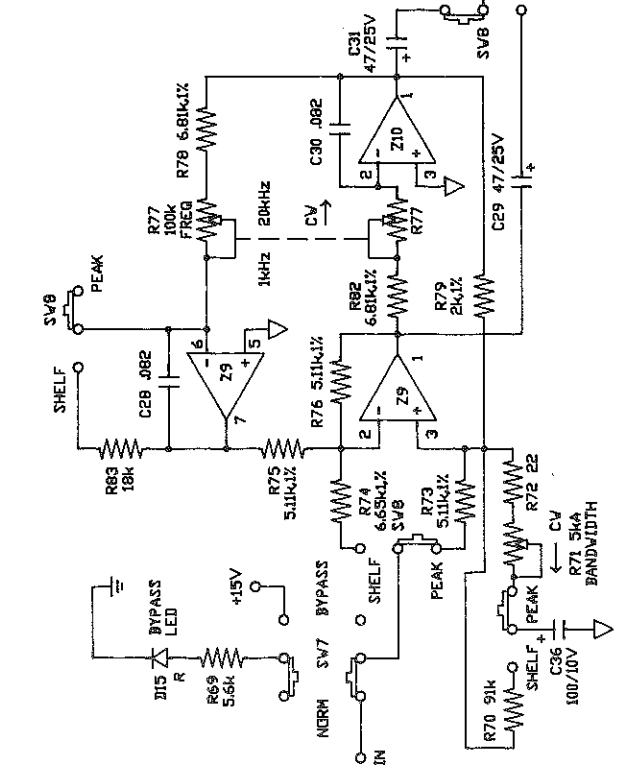
- 1. ALL RES. 1/4W. 5% CARBON FILM
- 2. ALL IC RES. METAL FILM
- 3. ALL CAPS. 100V. FULLY
- 4. ALL SW'S SHOWN IN THEIR "OFF" OR "DOWN" POSITION
- 5. BANDWIDTH SWITCHES SHOWN PUSHED IN



BAND 1 FILTER DETAIL (20HZ-300HZ)




BAND 2, [BAND 3], (BAND 4), FILTER DETAIL (20HZ-300HZ)



BAND 5 FILTER DETAIL (20HZ-300HZ)

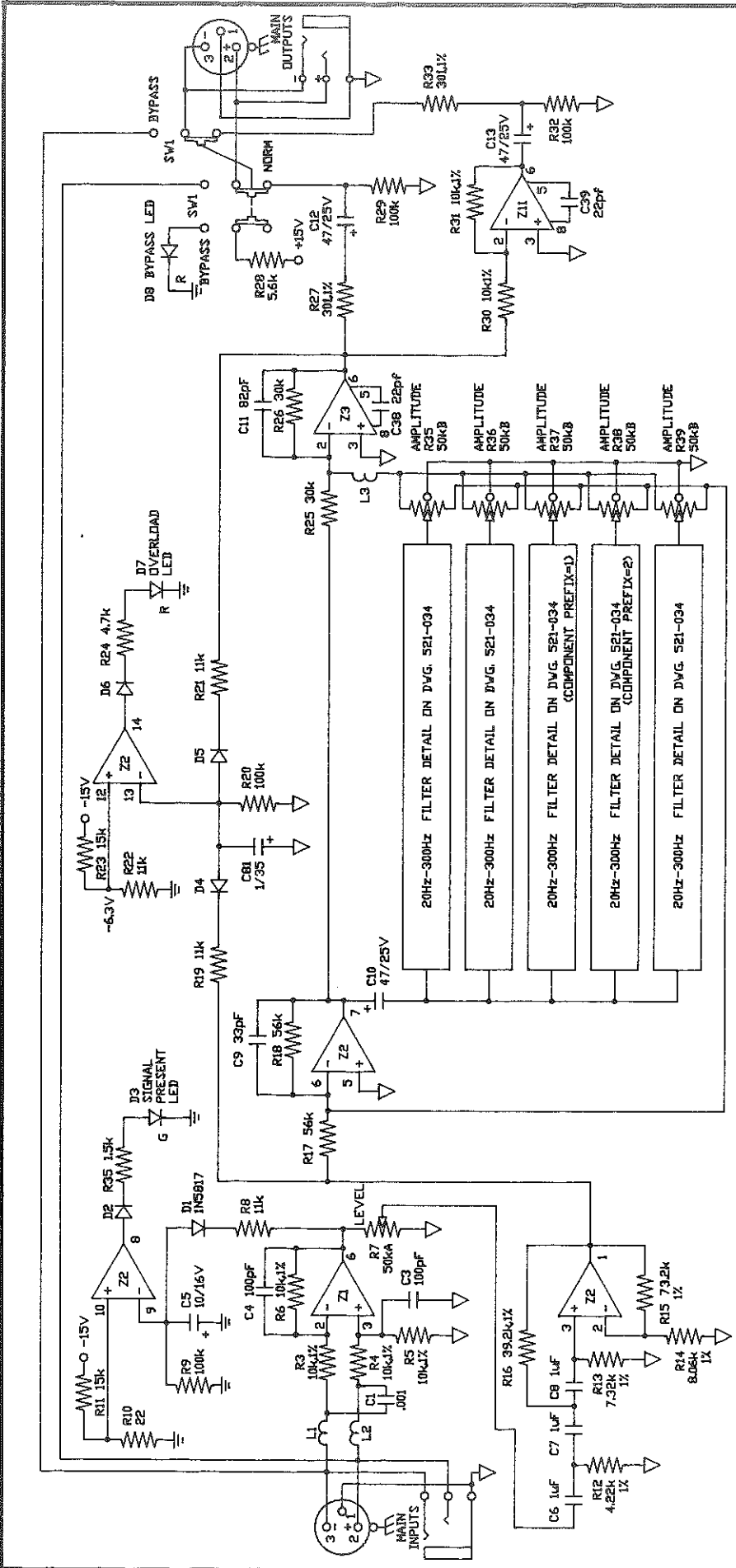
NOTE

- BAND 3=1R, 1C, ()
- BAND 4=2R, 2C, ()



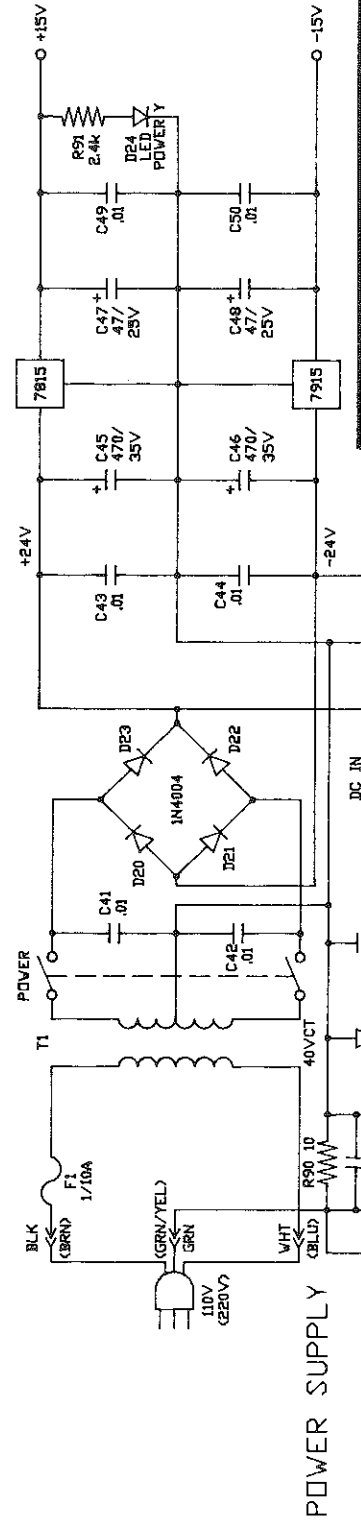
Corp. 10802 47th Avenue West, Everett
WA 98204-3400 (206) 355-6000

| | | | | | | |
|----------------------|--------|----------------|-------------|---------------|--------------|------------------------|
| REV. 3 | ACTION | DATE: 28MARB85 | CHECKED: DB | DATE: 16SEP87 | APPROVED: DB | TITLE: PE 51 SCHEMATIC |
| DRAWN: ST9 | | | | | | REV. B |
| DO NOT SCALE DRAWING | | | | | | 521-034 |

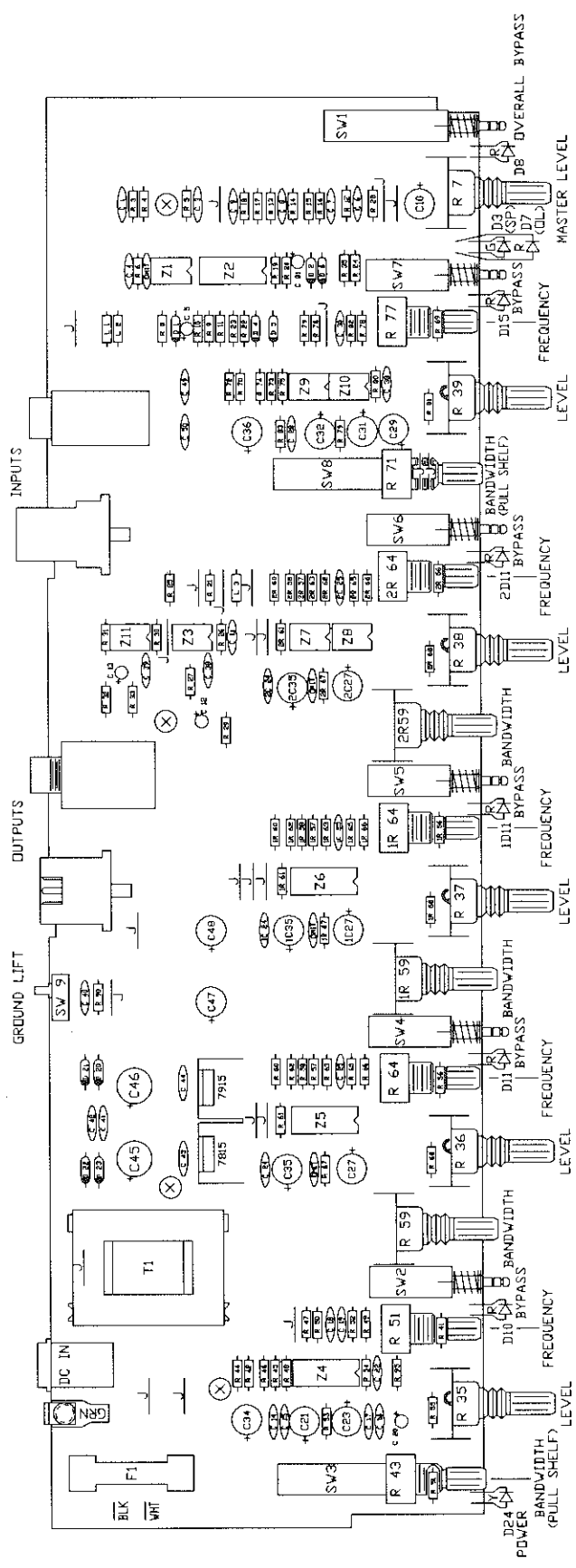


NOTES UNLESS OTHERWISE NOTED

1. ALL RES. 1/4W 5% CARBON FILM
2. ALL 1% RES. METAL FILM
3. ALL CAPS. 100V POLY PIN 9 ARE +V
4. ALL CAPS. 100V POLY PIN 4 ARE -V
5. ALL SV'S SHOWN IN THEIR 'OUT' OR 'OFF' POSITION UNLESS OTHERWISE NOTED
6. Z1 IS A LF351 OR EQUAL
7. Z2, Z4-Z6 ARE RC4156 OR EQUAL
8. Z7-Z10 ARE 4570 OR EQUAL
9. Z3 AND Z11 ARE NE5534 OR EQUAL



| | | | | | | | |
|-----------------|--------------|--|--------------|---------------------------------------|------|----------------------|--|
| REV. B | | ACTION REVISED C2, C51, R92, R93, R94, Q1, R2, R5, R6, Q7, ADDED GROUND LIFT | | DATE 15MAR88 | | APPROVED AVC | |
| DRAWN STB | DATE 26MAR85 | CHECKED DB | DATE 27MAR85 | SHEET 1 | OF 1 | DO NOT SCALE DRAWING | |
| POWER SUPPLY | | | | TITLE | | | |
| CHASSIS GROUND | | | | PE 51 SCHEMATIC | | | |
| SVS GROUND LIFT | | | | DRV. NO. | | | |
| | | | | 521-036 | | | |
| | | | | REV. B | | | |
| | | | | RANE | | | |
| | | | | Corp. 10802 47th Avenue West, Everett | | | |
| | | | | WA 98204-3400 (206) 355-6000 | | | |



RANCO
 Corp. 10802 47th Avenue West, Everett
 VA 98204-3400 (206) 355-6000

TITLE PE 51
 ASSY

DRV. NO. 522-016
 REV. J

| | | | | |
|----------------------|--------------|--|--------------|--------------|
| REVISIONS | REV. J | ACTION REMOVED SOFT START CIRCUIT, ADDED GROUND LIFT | DATE 26JAN88 | APPROVED AWC |
| DRAWN S. TURNIDGE | DATE 03JUN87 | CHECKED A. CLAXTON | DATE 03JUN87 | SHEET 1 OF 1 |
| DO NOT SCALE DRAWING | | | | |