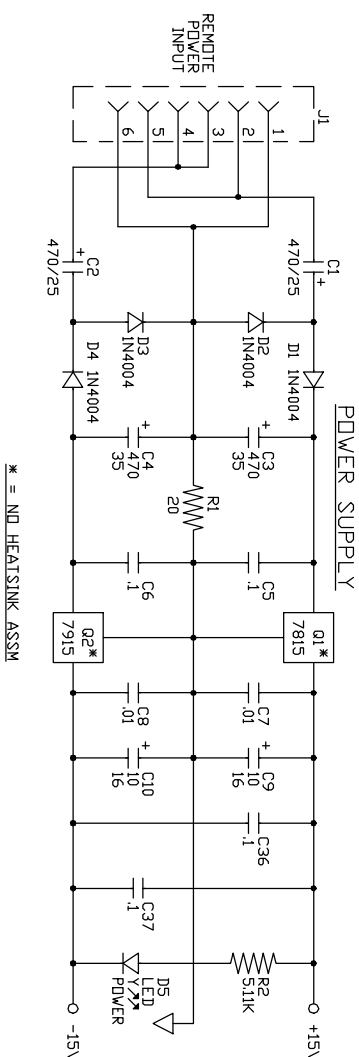
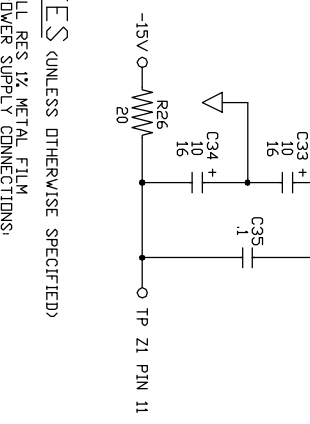
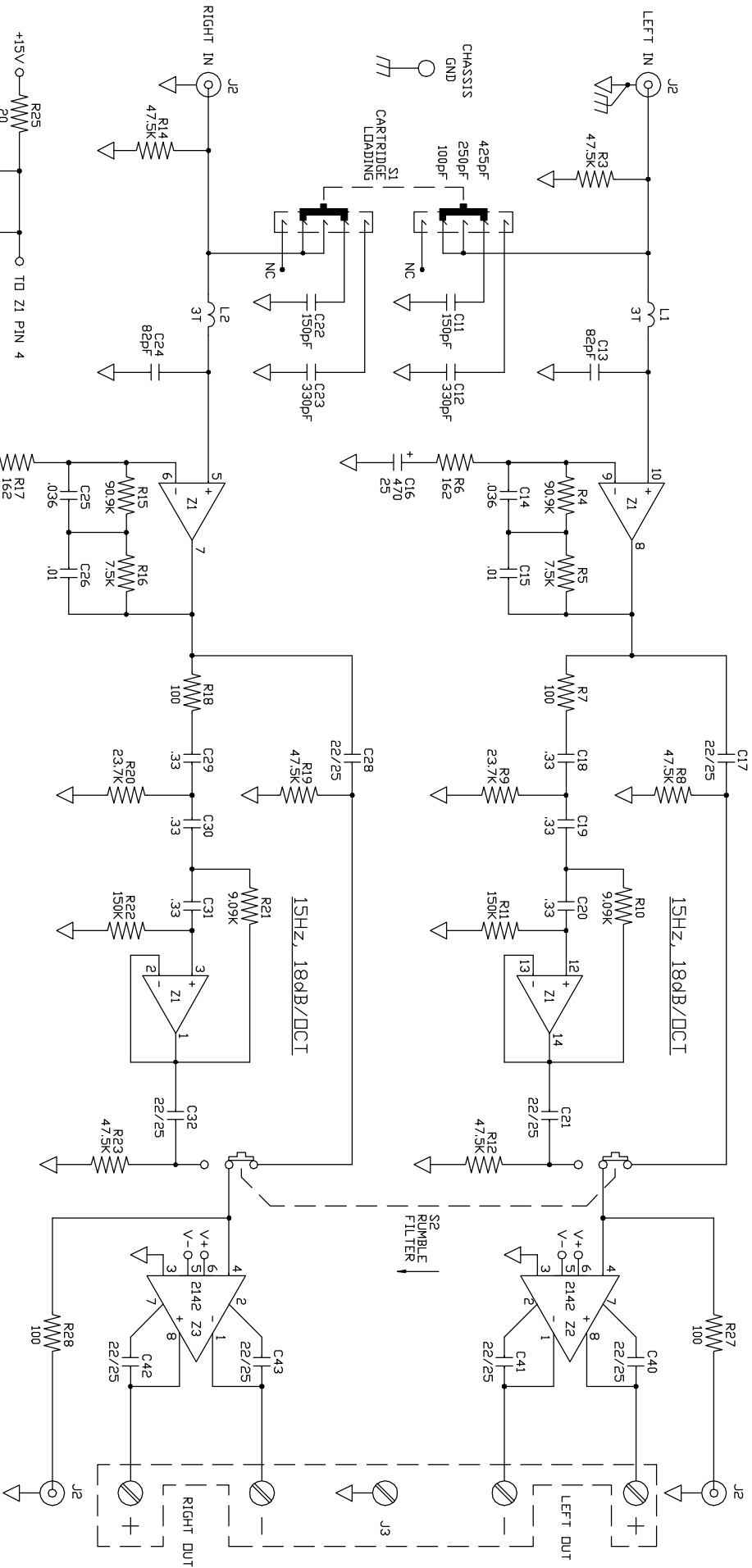


Rane Corp. (425)355-6000

100496 DES PS 1

ACTION: PART NOT CHANGED, NEW DOC #'S RWJ 21NOV97



- NOTES (UNLESS OTHERWISE SPECIFIED)**
1. ALL RES 1% METAL FILM
  2. POWER SUPPLY CONNECTIONS:
- |      |   |    |
|------|---|----|
| SING | 7 | 4  |
| DUAL | 8 | 4  |
| QUAD | 4 | 11 |
3. ALL SVs SHOWN IN THEIR 'OUT' OR 'OFF' POSITION
  4. IC TYPES: Z1 = LT1125  
Z2, Z3 = 2142