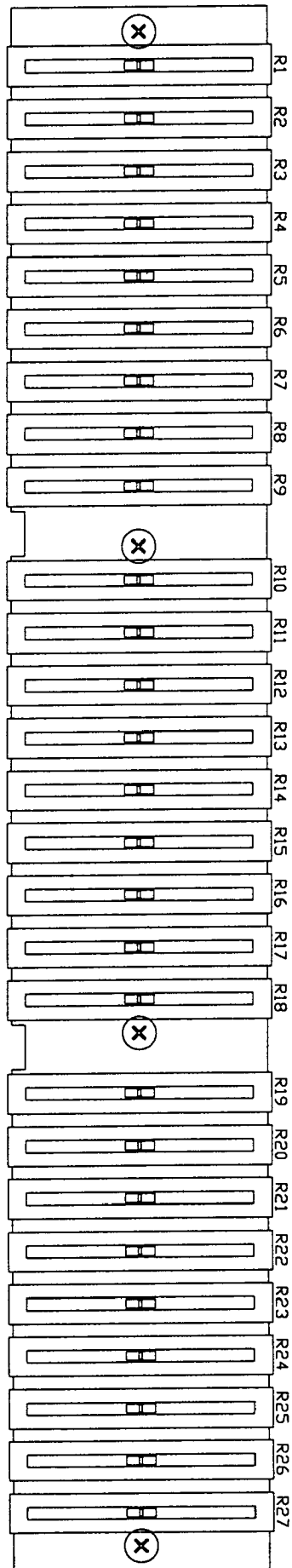
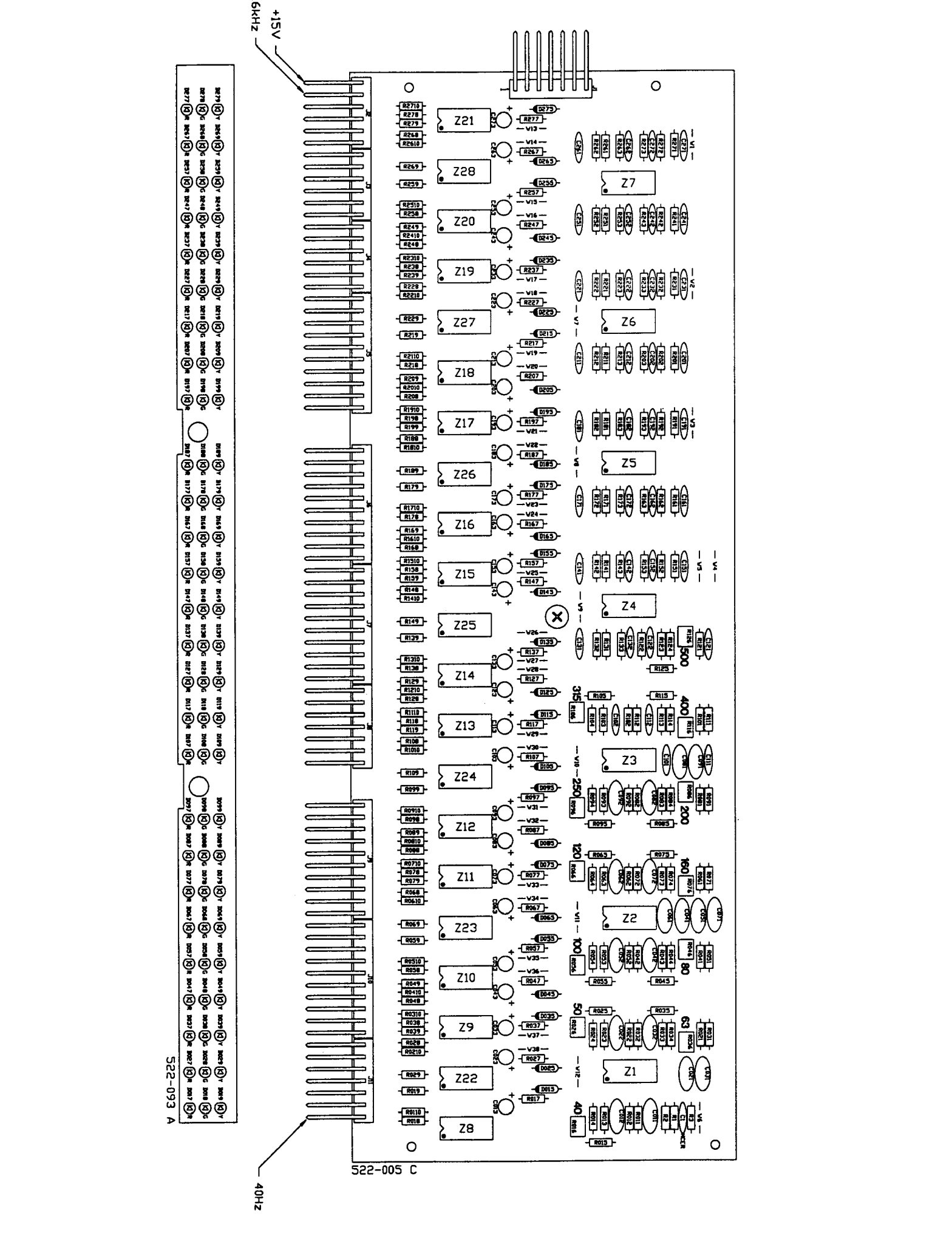


522-002 J



522-084 A



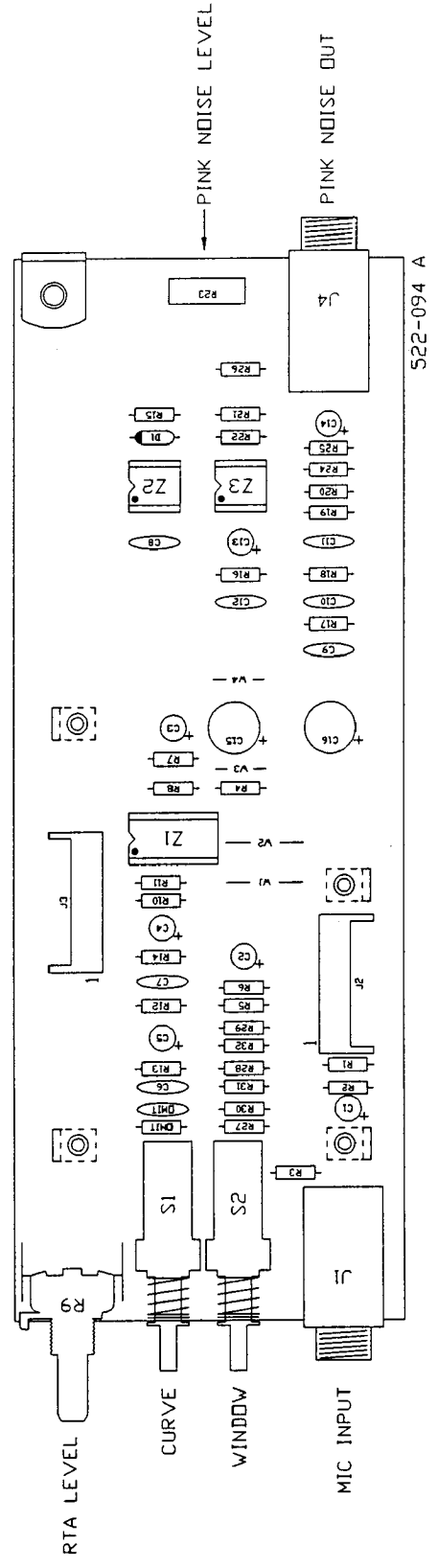
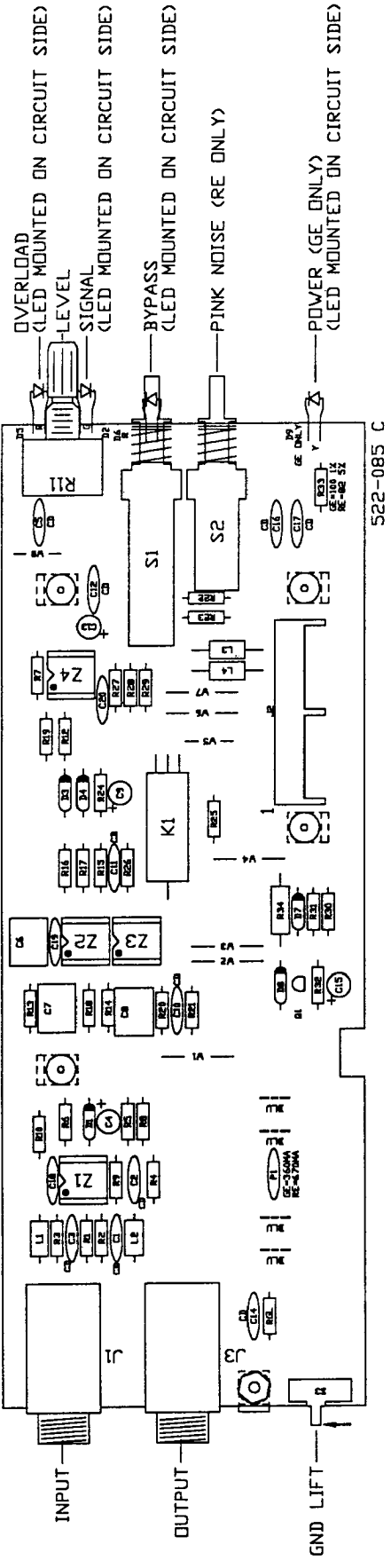
+15V

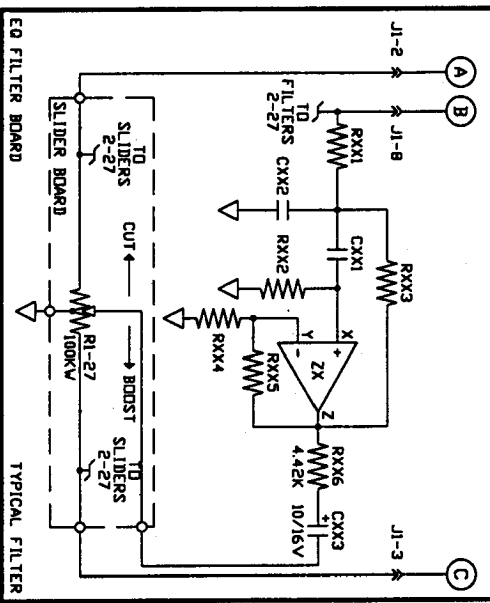
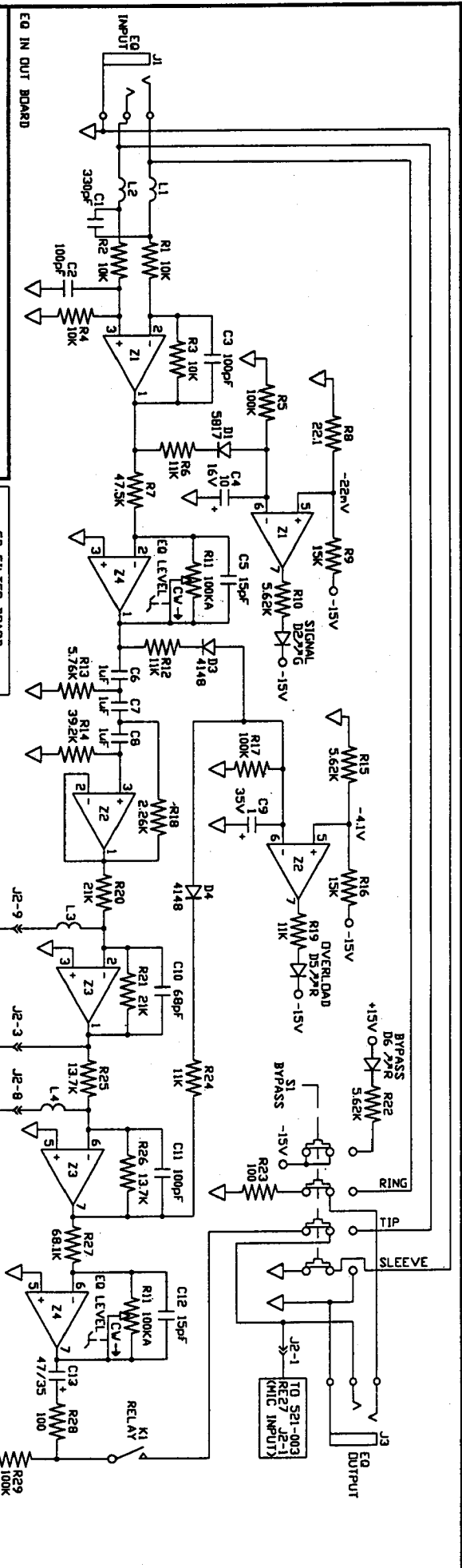
6KHz

40Hz

C 505-222

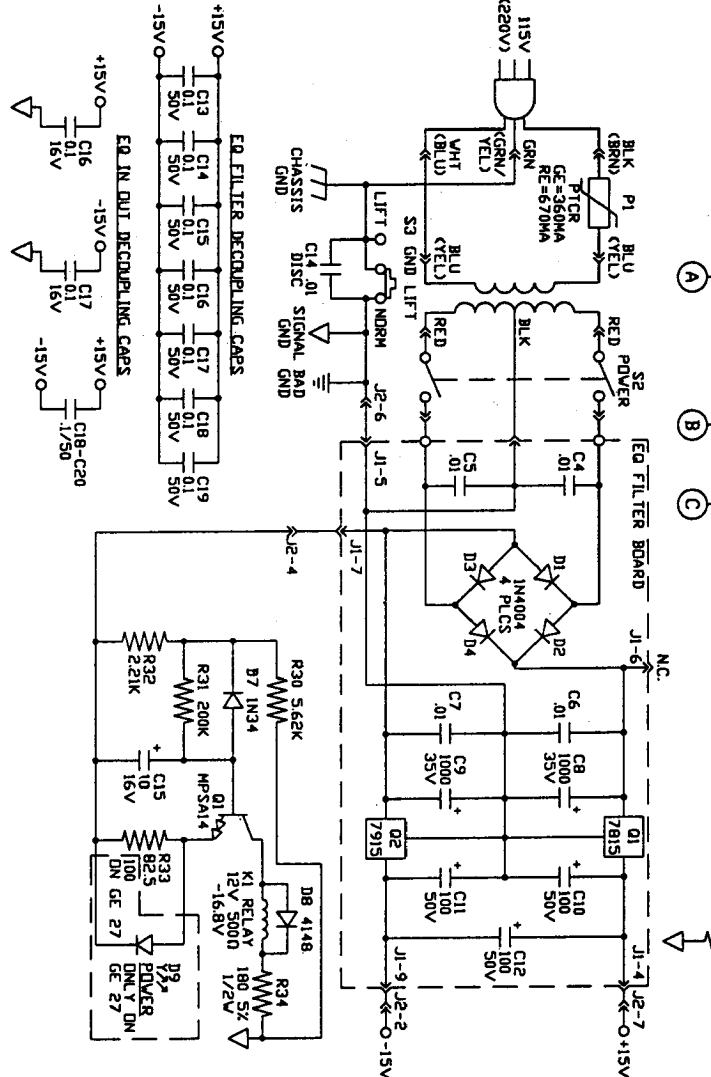
S22-093 A





EQ FILTER BOARD ZX CONNECTION TABLE

| FILTER | FREQ | ZX | X | Y | Z |
|--------|-------|-----|----|----|----|
| 1 | 40 | Z5 | 10 | 9 | 8 |
| 2 | 50 | Z5 | 10 | 9 | 8 |
| 3 | 63 | Z5 | 12 | 13 | 14 |
| 4 | 80 | Z5 | 15 | 16 | 17 |
| 5 | 100 | Z6 | 10 | 9 | 8 |
| 6 | 125 | Z6 | 10 | 9 | 8 |
| 7 | 160 | Z6 | 12 | 13 | 14 |
| 8 | 200 | Z6 | 15 | 16 | 17 |
| 9 | 250 | Z7 | 10 | 9 | 8 |
| 10 | 315 | Z7 | 10 | 9 | 8 |
| 11 | 400 | Z7 | 12 | 13 | 14 |
| 12 | 500 | Z7 | 15 | 16 | 17 |
| 13 | 630 | Z8 | 10 | 9 | 8 |
| 14 | 800 | Z8 | 10 | 9 | 8 |
| 15 | 1K | Z8 | 12 | 13 | 14 |
| 16 | 1.25K | Z8 | 15 | 16 | 17 |
| 17 | 1.6K | Z9 | 10 | 9 | 8 |
| 18 | 2K | Z9 | 10 | 9 | 8 |
| 19 | 2.5K | Z9 | 12 | 13 | 14 |
| 20 | 3.15K | Z9 | 15 | 16 | 17 |
| 21 | 4K | Z10 | 10 | 9 | 8 |
| 22 | 5K | Z10 | 10 | 9 | 8 |
| 23 | 6.3K | Z10 | 12 | 13 | 14 |
| 24 | 8K | Z10 | 15 | 16 | 17 |
| 25 | 10K | Z11 | 10 | 9 | 8 |
| 26 | 12.5K | Z11 | 10 | 9 | 8 |
| 27 | 16K | Z11 | 12 | 13 | 14 |



EQ FILTER BOARD

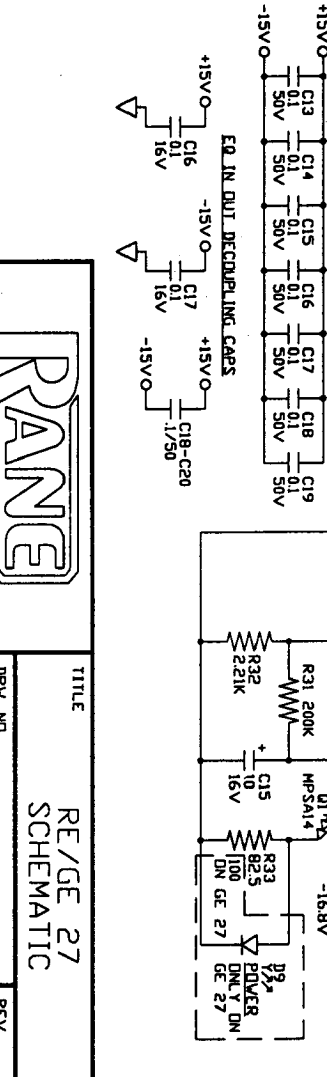
NOTES (UNLESS OTHERWISE NOTED)

1. ALL RESISTORS 1/4W. 1% METAL FILM.
2. ALL CAPS 100V POLY.
3. POWER SUPPLY CONNECTIONS.
4. ALL SVS SHOWN IN THEIR 'OUT' OR 'OFF' POSITION.
5. DP AMPS. ALL 4156 OR EQUAL.
6. FILTER DESIGNATION SCHEME.

EXAMPLE: R012
RESISTOR FILTER 1 (40HZ) NUMBER 2

EQ IN OUT DECOUPLING CAPS

EQ FILTER DECOUPLING CAPS



REVISIONS

| REV. | U | ACTION | DATE |
|------|---|---|---------|
| 1 | U | ADDED C18-C20UE PTCR WAS 150MCHANGED 5% RESISTORS TO 1% | 23DEC87 |

DRAWN S. TURNBIDE DATE 23DEC87 CHECKED A. CLAXTON DATE 23DEC87 SHEET 1 OF 1

DATE 05MAY93 APPROVED

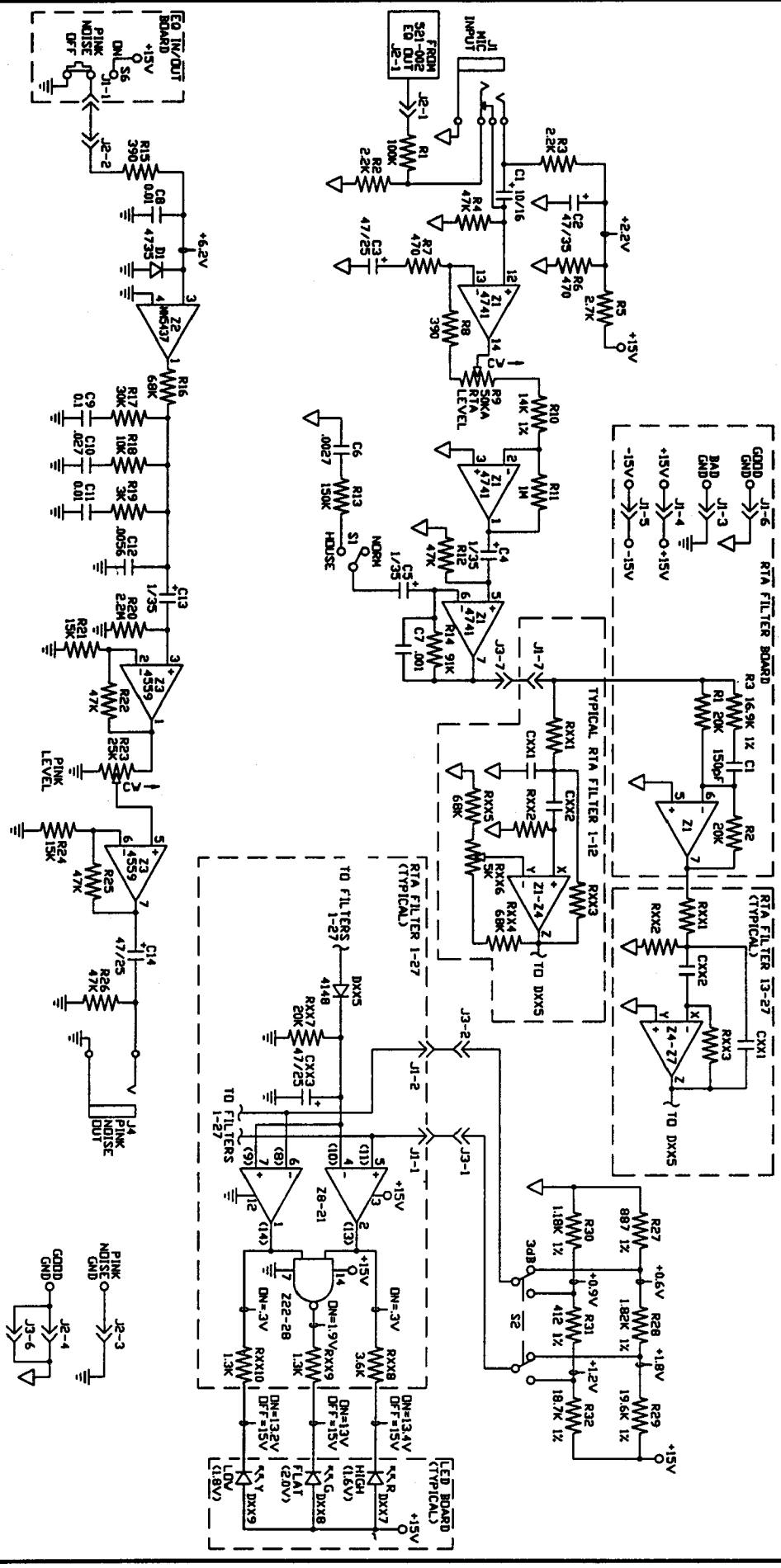
DD NOT SCALE DRAWING

Corp. 10802 47th Avenue West Mukilteo
VA 98275-5098 (206) 355-6000

TITLE
RE/GE 27
SCHEMATIC

DRW. NO.
521-002

REV.
U



NOTES (UNLESS OTHERWISE NOTED)

1. ALL RES 1/4W, 5% CARBON FILM.
2. POWER SUPPLY CONNECTIONS: POS. SLEP NEG. SLEP
3. RTA FILTER DP AMP'S: Z1, Z2, Z3, Z4, Z5, Z6, Z7, Z8, Z9, Z10, Z11, Z12, Z13, Z14, Z15, Z16, Z17, Z18, Z19, Z20, Z21, Z22, Z23, Z24, Z25, Z26, Z27, Z28, Z29, Z30, Z31, Z32, Z33, Z34, Z35, Z36, Z37, Z38, Z39, Z40, Z41, Z42, Z43, Z44, Z45, Z46, Z47, Z48, Z49, Z50, Z51, Z52, Z53, Z54, Z55, Z56, Z57, Z58, Z59, Z60, Z61, Z62, Z63, Z64, Z65, Z66, Z67, Z68, Z69, Z70, Z71, Z72, Z73, Z74, Z75, Z76, Z77, Z78, Z79, Z80, Z81, Z82, Z83, Z84, Z85, Z86, Z87, Z88, Z89, Z90, Z91, Z92, Z93, Z94, Z95, Z96, Z97, Z98, Z99, Z100
4. ALL SVA COMPONENTS SHOWN IN 'TRUTH' OR '99%' POSITION
5. ALL COMPONENTS SHOWN ARE ON PM MIC BD
6. FILTER DESIGNATION SCHEME: X XX X

RTA FILTER BOARD ZX CONNECTION TABLE

| FILTER | FREQ | ZX | X | Y | Z |
|--------|------|----|----|----|----|
| 1 | 40 | Z1 | 3 | 2 | 1 |
| 2 | 50 | Z1 | 12 | 13 | 14 |
| 3 | 63 | Z1 | 10 | 9 | 8 |
| 4 | 80 | Z2 | 5 | 6 | 7 |
| 5 | 100 | Z2 | 3 | 2 | 1 |
| 6 | 120 | Z2 | 12 | 13 | 14 |
| 7 | 150 | Z2 | 10 | 9 | 8 |
| 8 | 200 | Z3 | 5 | 6 | 7 |
| 9 | 250 | Z3 | 3 | 2 | 1 |
| 10 | 315 | Z3 | 12 | 13 | 14 |
| 11 | 400 | Z3 | 10 | 9 | 8 |
| 12 | 500 | Z4 | 5 | 6 | 7 |

RTA FILTER BOARD ZX CONNECTION TABLE

| FILTER | FREQ | ZX | X | Y | Z |
|--------|-------|----|----|----|----|
| 13 | 630 | Z4 | 2 | 3 | 1 |
| 14 | 800 | Z4 | 13 | 12 | 14 |
| 15 | 1K | Z4 | 9 | 10 | 8 |
| 16 | 1.25K | Z5 | 6 | 5 | 7 |
| 17 | 1.5K | Z5 | 2 | 3 | 1 |
| 18 | 2K | Z5 | 13 | 12 | 14 |
| 19 | 2.5K | Z5 | 9 | 10 | 8 |
| 20 | 3.15K | Z6 | 6 | 5 | 7 |
| 21 | 4K | Z6 | 2 | 3 | 1 |
| 22 | 5K | Z6 | 13 | 12 | 14 |
| 23 | 6.3K | Z6 | 9 | 10 | 8 |
| 24 | 8K | Z7 | 6 | 5 | 7 |
| 25 | 10K | Z7 | 2 | 3 | 1 |
| 26 | 12.5K | Z7 | 13 | 12 | 14 |
| 27 | 15K | Z7 | 9 | 10 | 8 |

