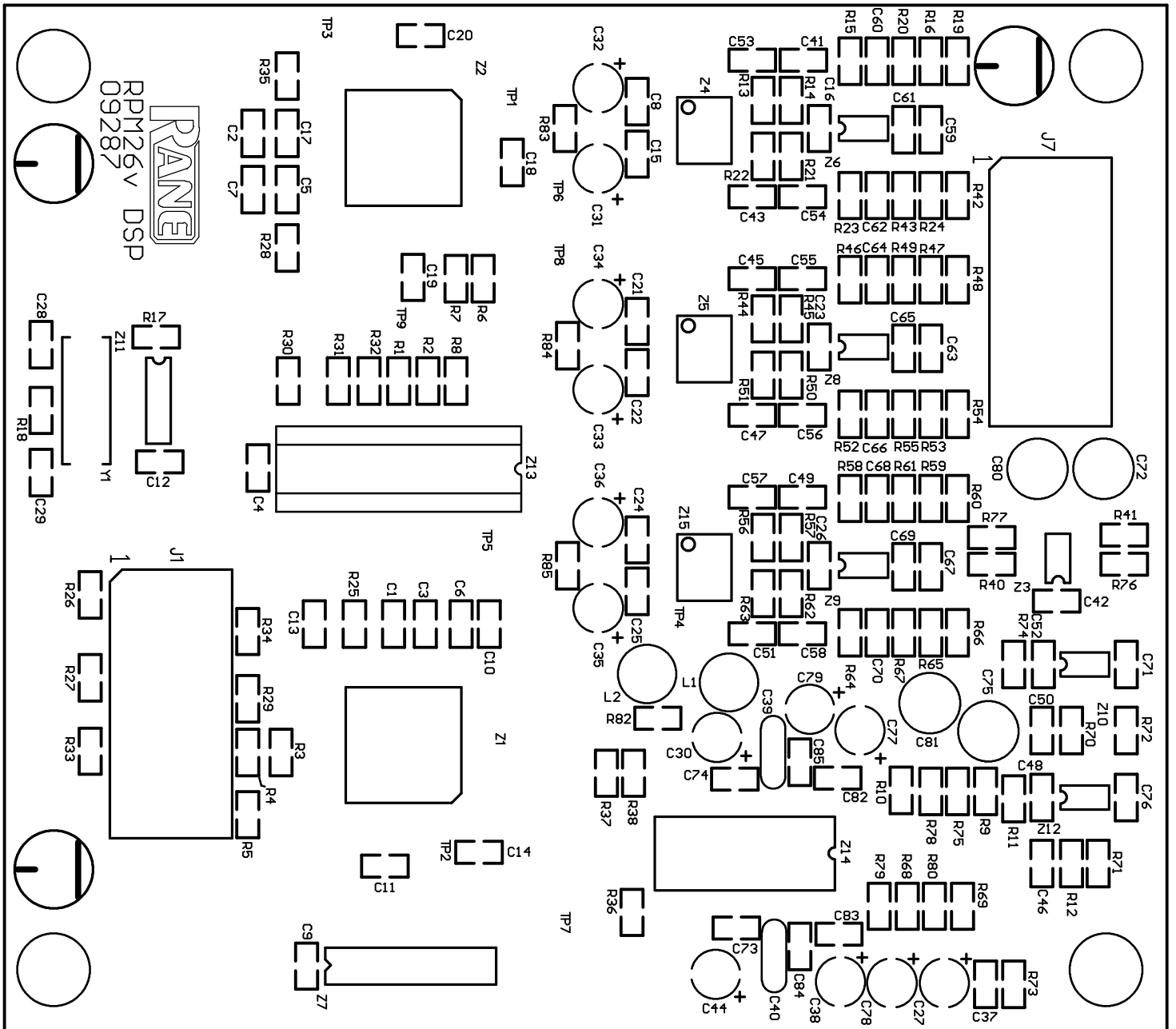
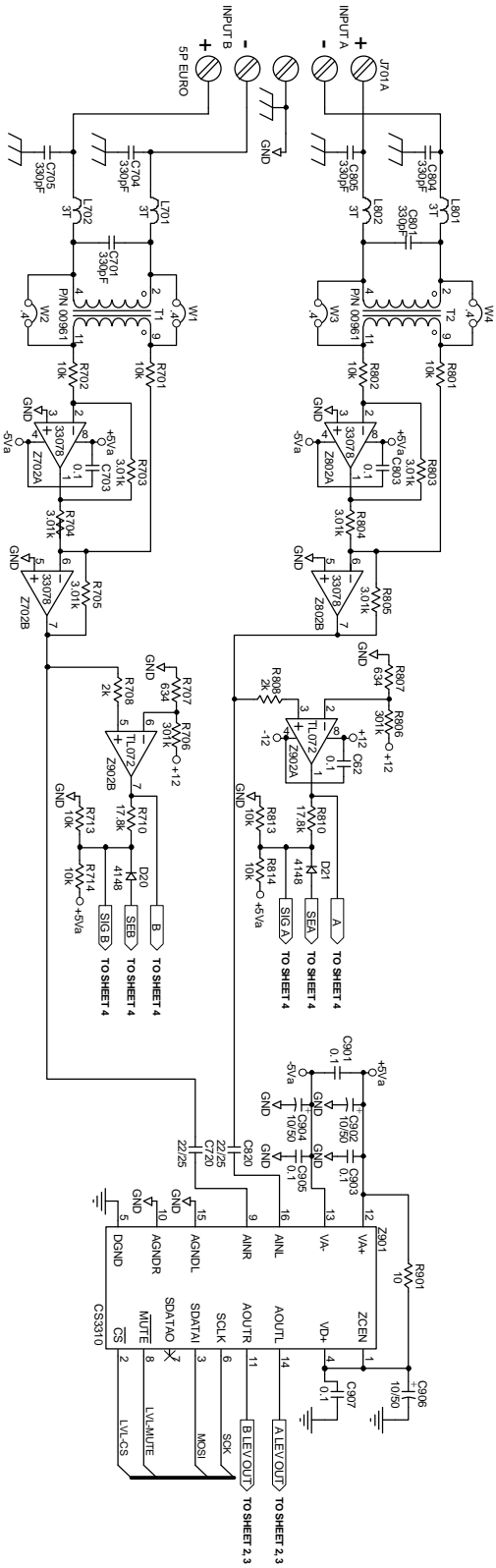


Rane Corp. (425)355-6000
 103837 DES: MAIN RPM26v
 ACTION: DERIVED FROM 102778, CHANNEL OUTPUT
 CIRCUIT REDESIGNED, SKH 28JAN00



Rane Corp. (425)355-6000
 101179 DES: DSP RPM26v
 ACTION: NEW LAYOUT SKH 19NOV97



OUTPUTS
104027-2.sch

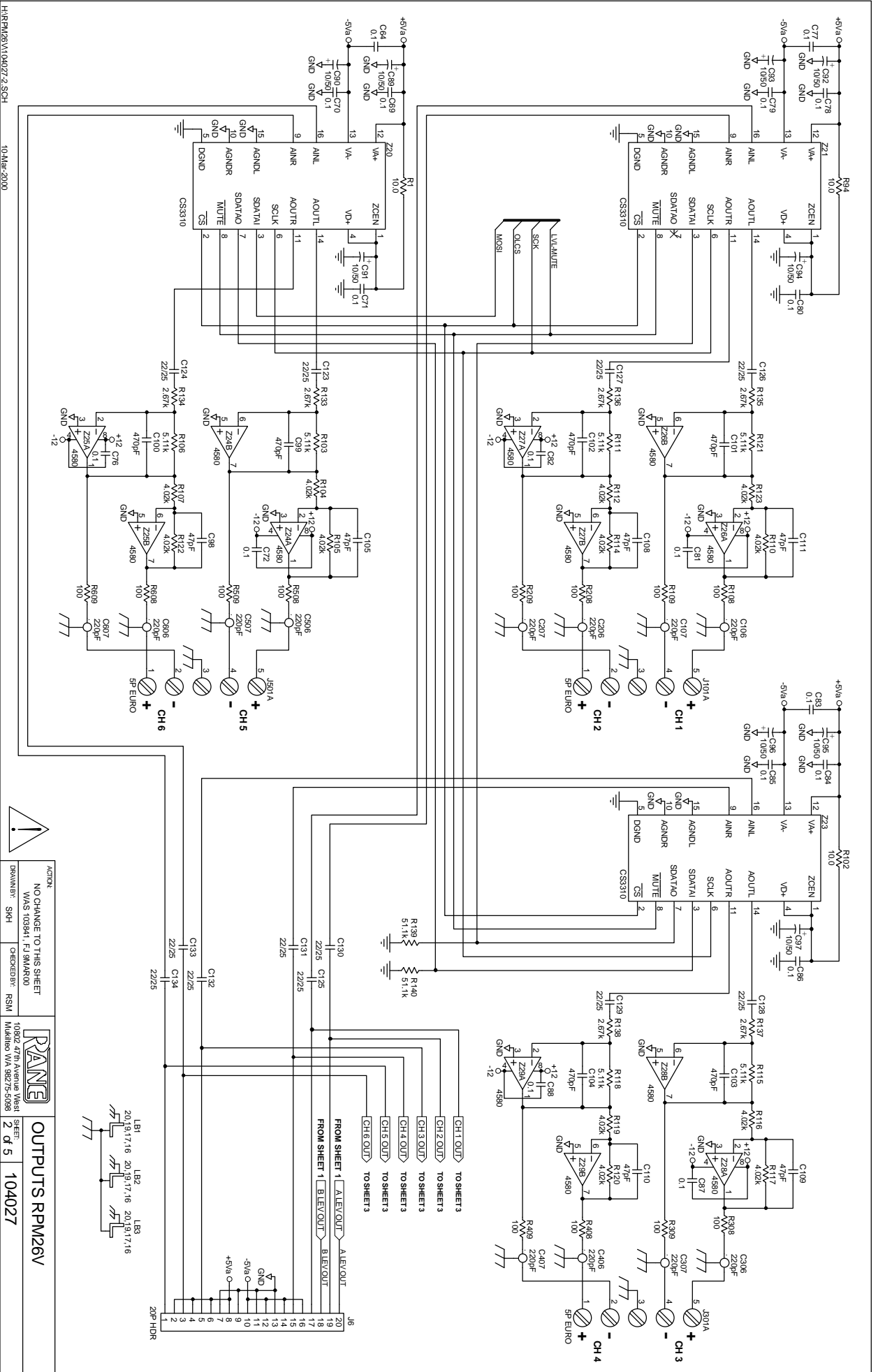
MICROCONTROLLER
104027-4.sch
POWER SUPPLY
104027-5.sch



ACORN
NO CHANGE TO THIS SHEET
WAS 103841, FJ 9MAR00
DRAWN BY: SKH
CHECKED BY: SRM



104027-471b Avenida W441
Maldonado, Vía. 98275-5098
1 of 5
104027

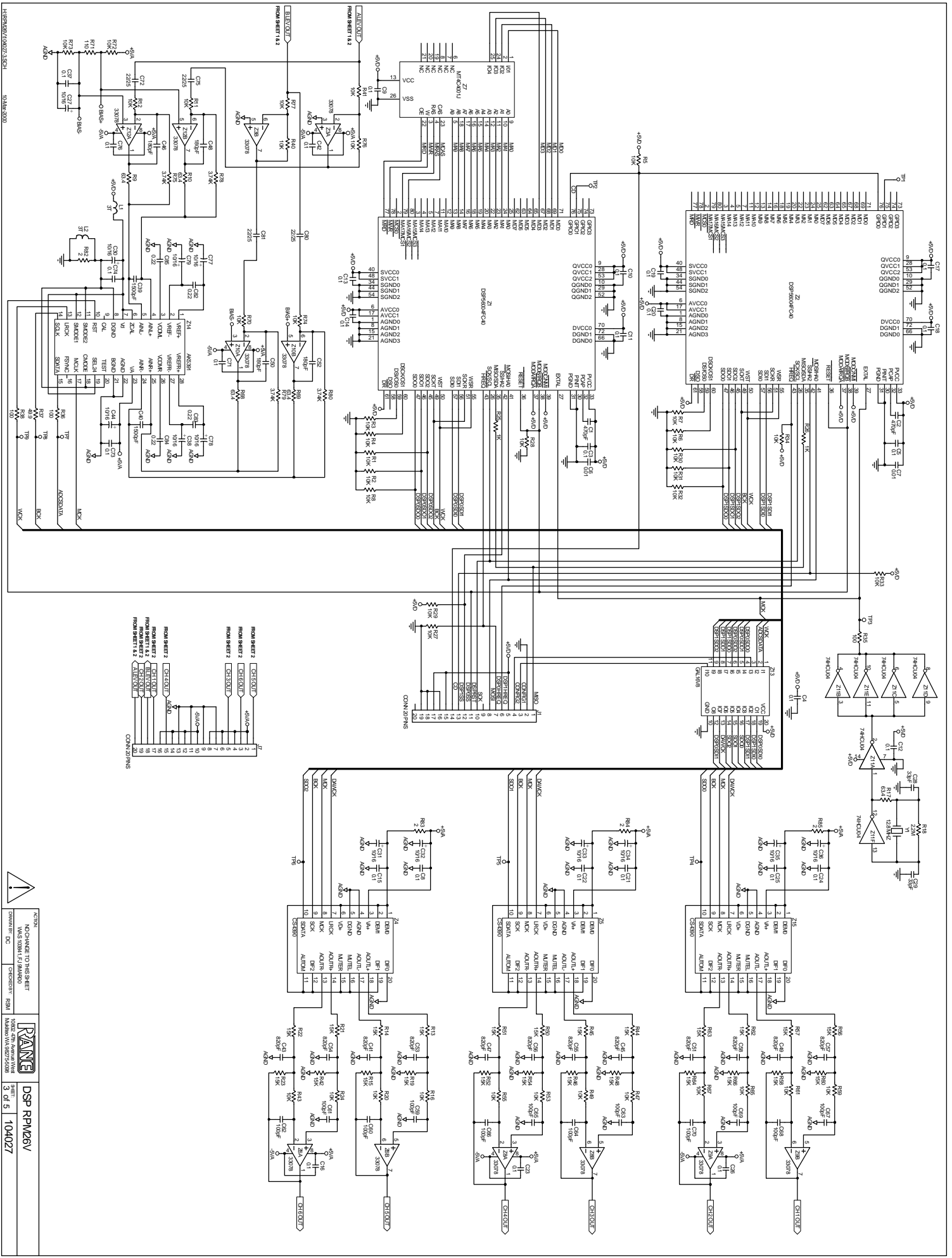


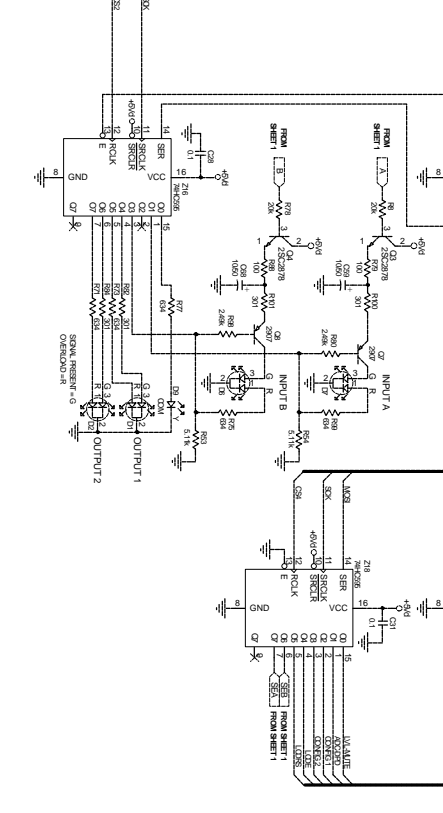
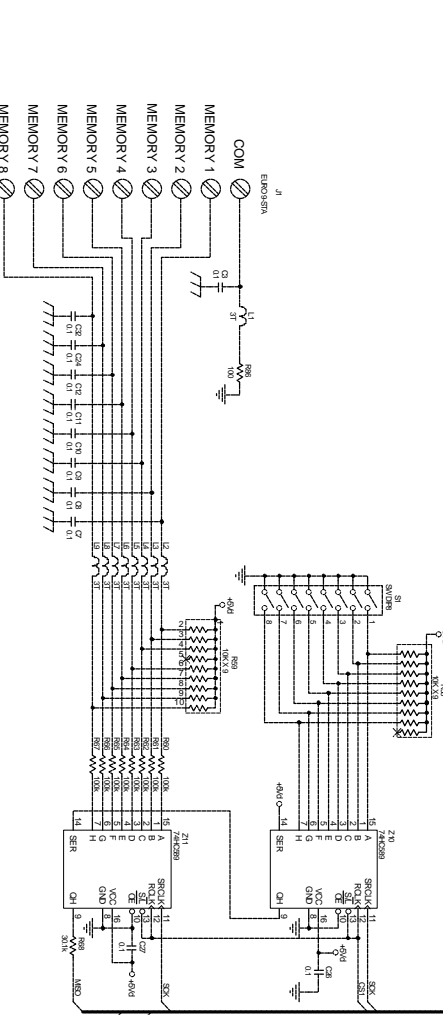
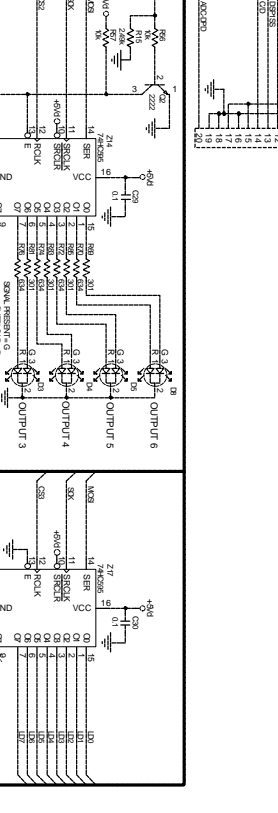
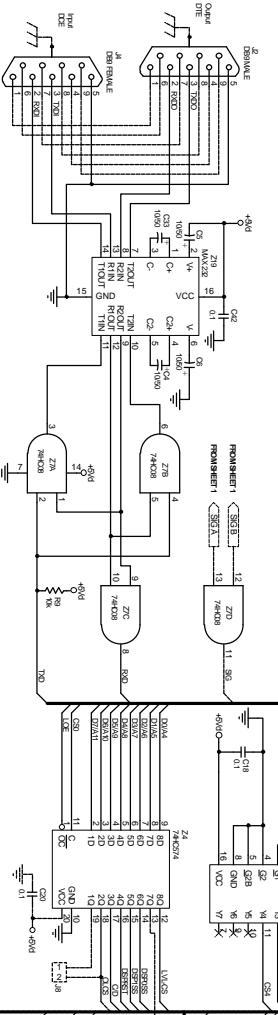
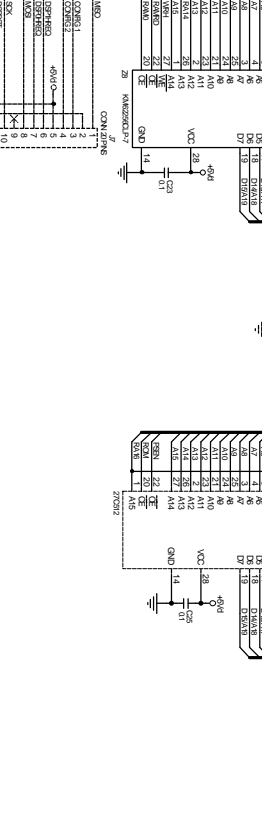
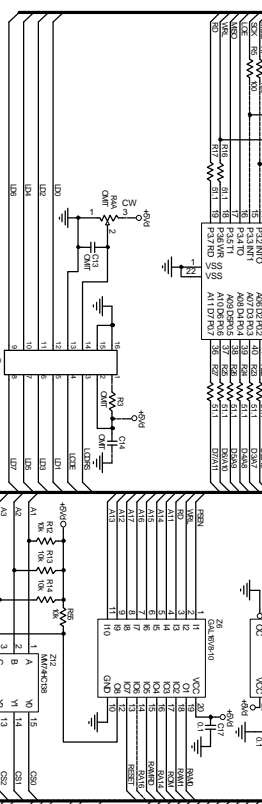
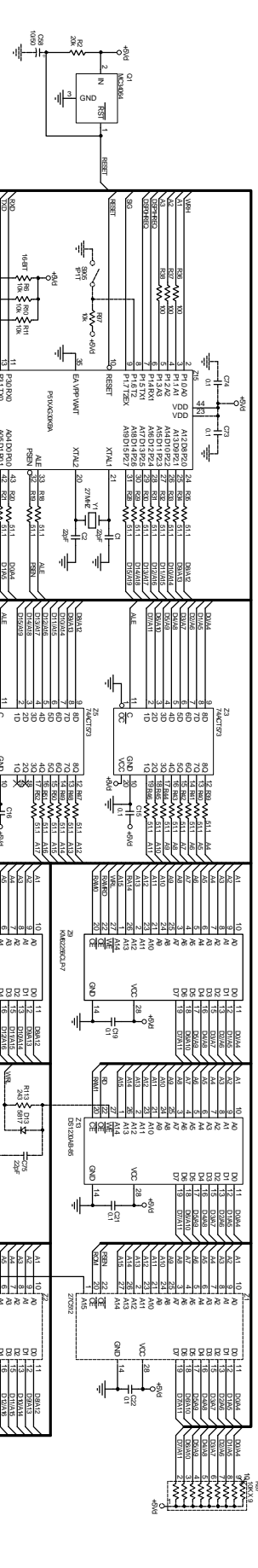
ACTION:
NO CHANGE TO THIS SHEET
DRAWN BY: SKH
CHECKED BY: RSM

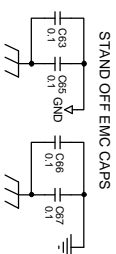
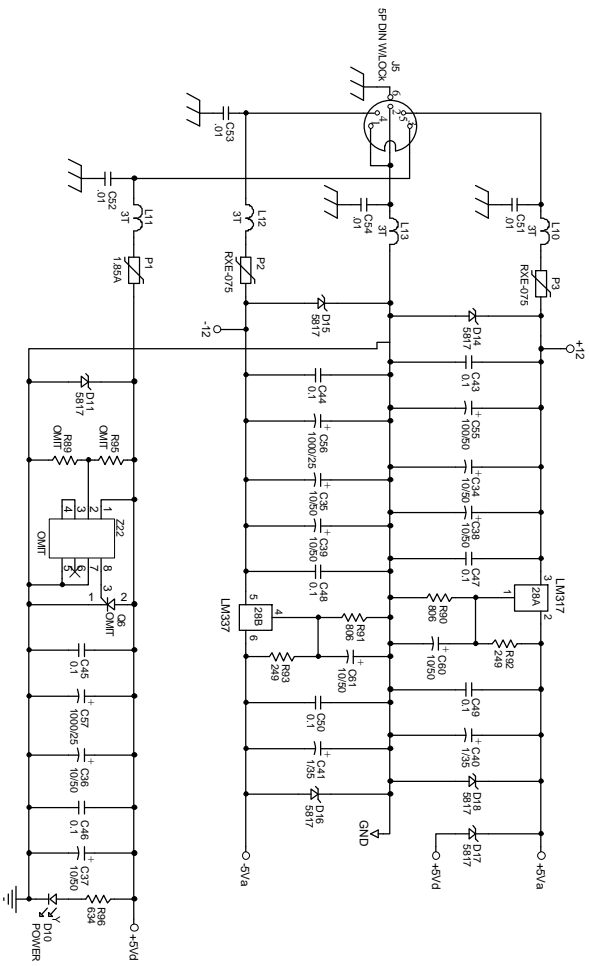


OUTPUTS RPM26V
SHEET 2 of 5
104027

104027_2.SCH
2018/17/16 20:13:17.16 2018/17/16
20P HDR







ACTION: R89/WAS.6.3AK, R89/WAS.6.1TK ZZZ WAS W/C.3/2P/1, OR WAS 2N6400 WAS 103941, FJ 5M/A400 DRAWN BY: SKH CHECKED BY: SRM1		10802, 47th Avenue W/44 Markham, VA 98275-5098	POWER SUPPLY RPM26V SHEET 5 of 5 104027
--	--	---	---