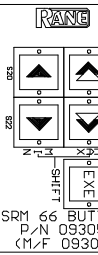
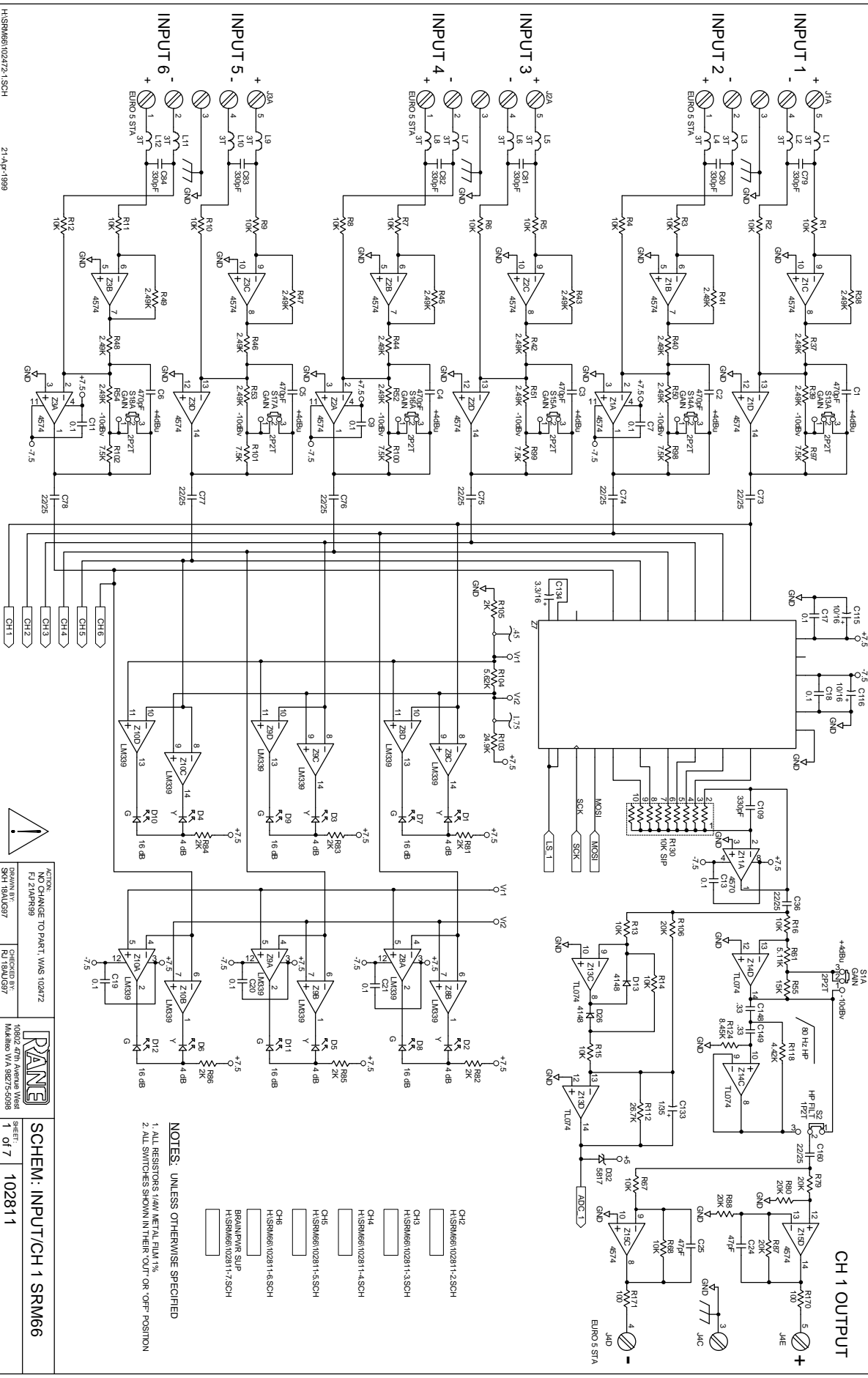


1	SRM66 MAIN
2	P/N 09306
3	<T/F 09304>
4	



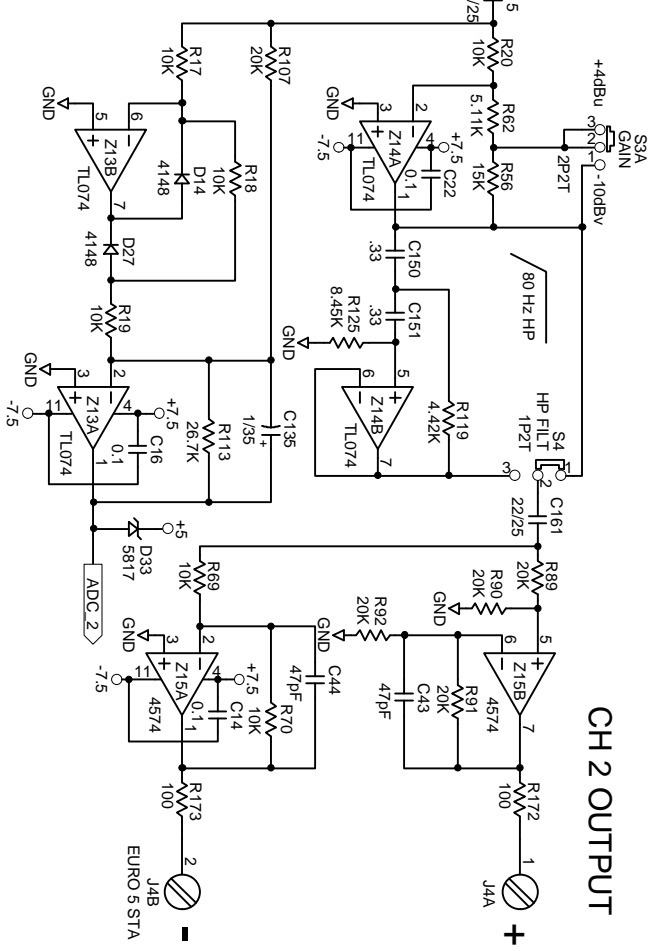
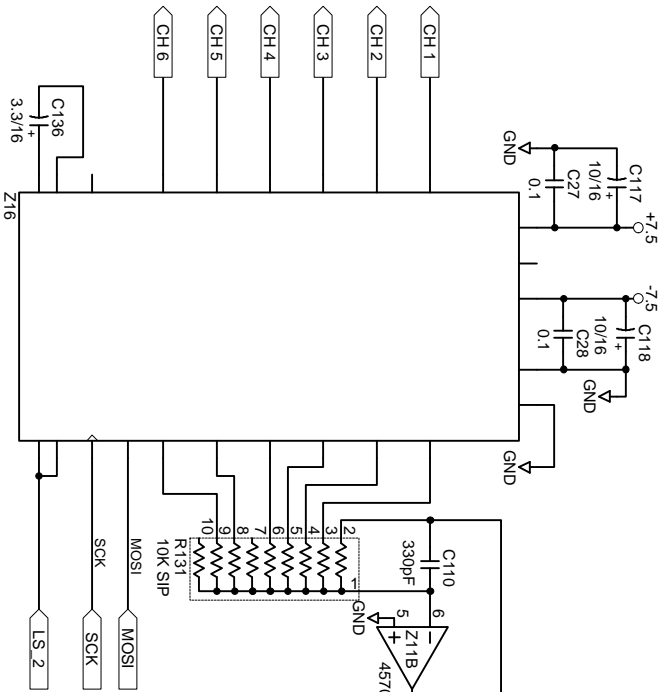
Rane Corp. (425)355-6000
 101279 DES: MAIN/BUTTON SRM66
 ACTION: ADDED (1) L-BRACKET (LB4),
 ADDED MC34064 (24) SKH 05DEC97



ACTION CHANGE TO PART: WAS 102472
 FJ21A4P1999
 DRAWN BY: SCH 18AUC57
 CHECKED BY: RJ 18AUC57
 MADE IN: MADE IN CHINA
 Makrom: V.A. 98275-5098
SCHEM: INPUT/CH 1 SRM66
 1 of 7
 102811

NOTES: UNLESS OTHERWISE SPECIFIED
 1. ALL RESISTORS 1/4W METAL FILM 1%
 2. ALL SWITCHES SHOWN IN THEIR "OUT" OR "OFF" POSITION

- CH2 H:SRM66102811-4-SCH
- CH3 H:SRM66102811-4-SCH
- CH4 H:SRM66102811-4-SCH
- CH5 H:SRM66102811-4-SCH
- CH6 H:SRM66102811-4-SCH
- BRK/PFRG SUP H:SRM66102811-7-SCH



CH 2 OUTPUT

H:\SRM66\102812-2.SCH 21-Apr-1999

ACTION:
NO CHANGE TO PART, WAS 102472
FJ 21APR99
DRAWN BY: SKH 18AUG97
CHECKED BY: RJ 18AUG97

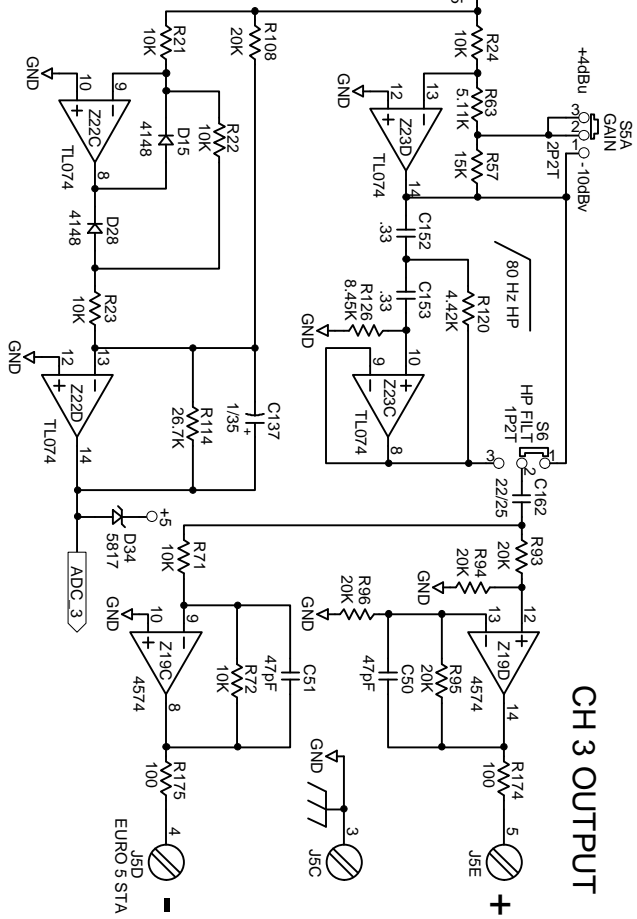
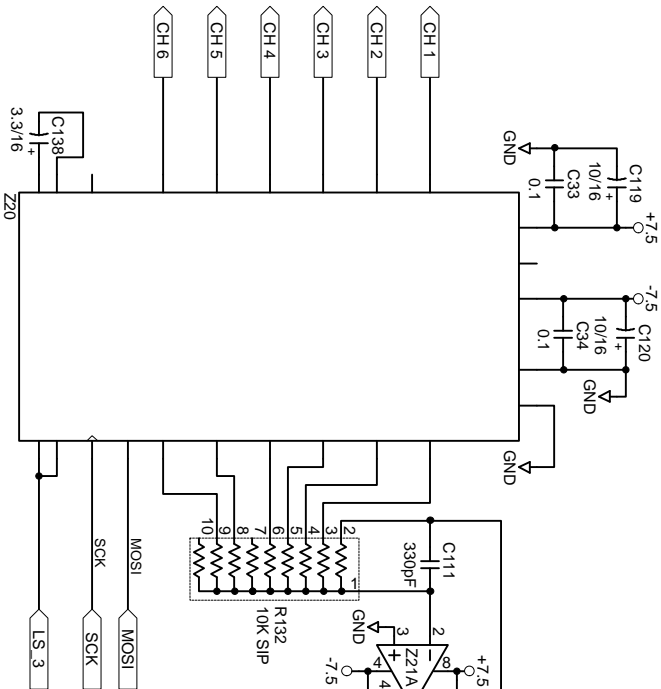


10802 47th Avenue West
Maplewood, WA 98275-5038

SHEET:
2 of 7

SCHEM: CH 2 SRM66
102811

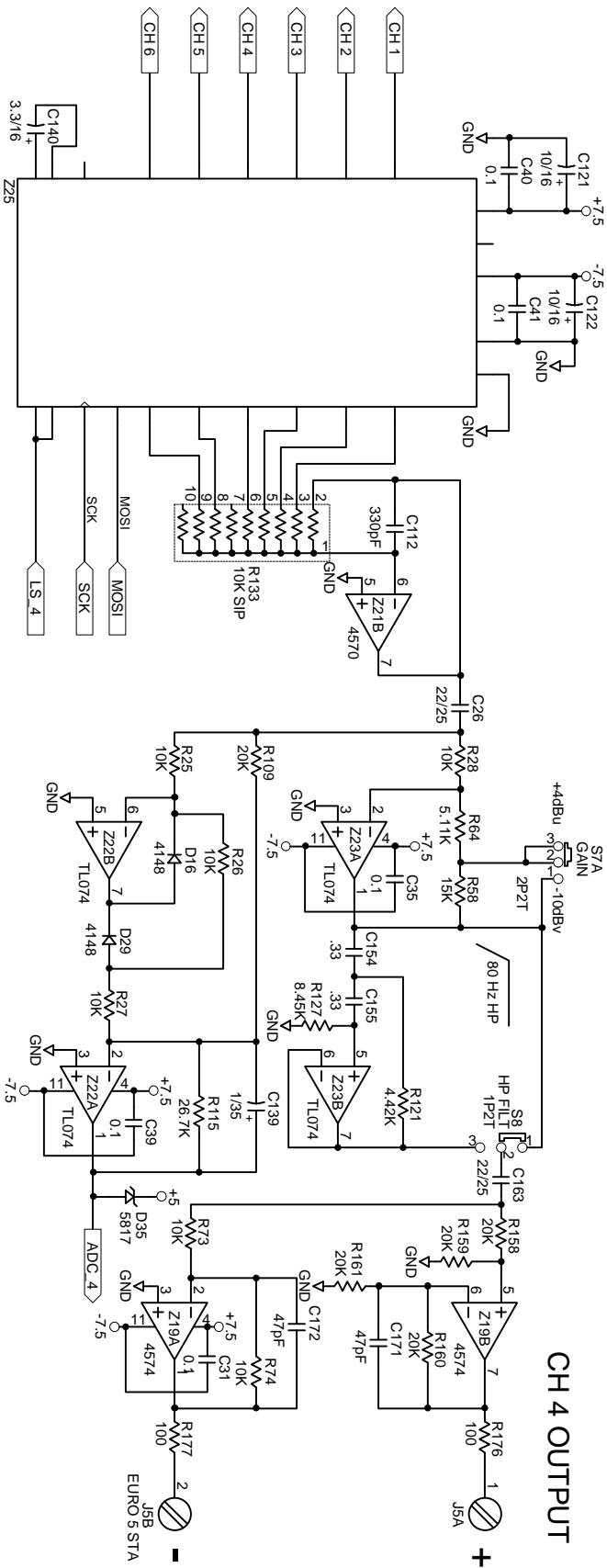




CH 3 OUTPUT



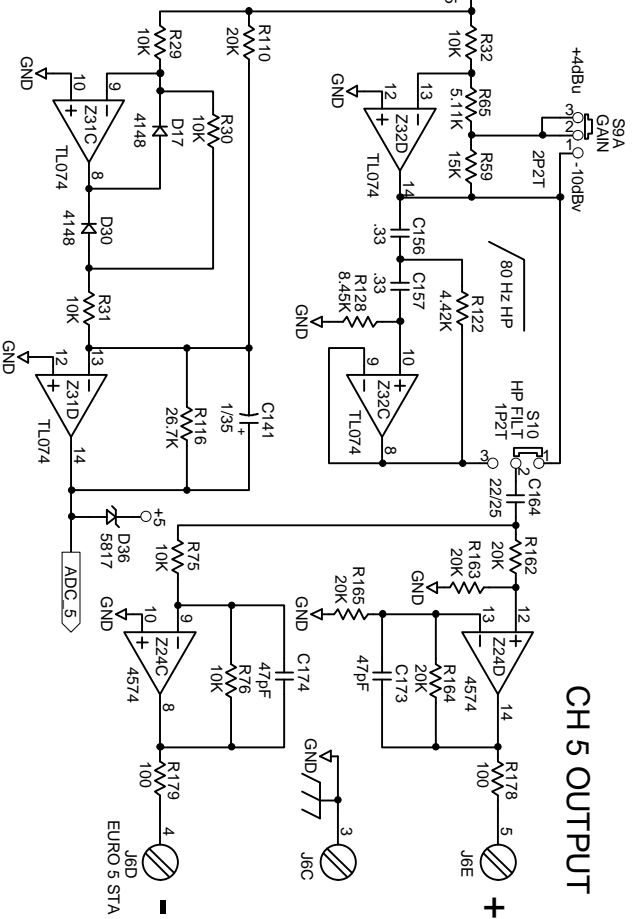
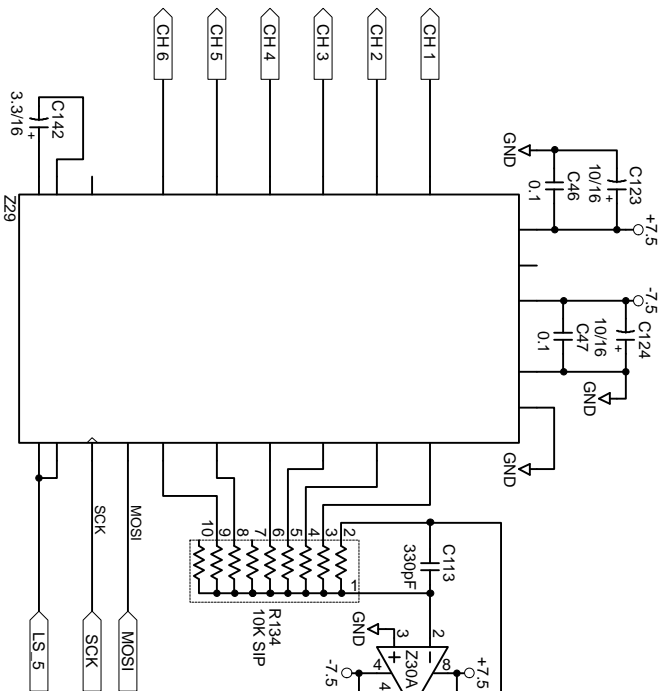
ACTION: NO CHANGE TO PART. WAS 102472 FJ 21APR99		DRAWN BY: SKH 18AUG97		CHECKED BY: RJ 18AUG97		10802 47th Avenue West Maple WA 98279-5098		SHEET: 3 of 7		SCHEM: CH 3 SRM66		102811	
--------------------------------------------------------	--	--------------------------	--	---------------------------	--	-----------------------------------------------	--	------------------	--	-------------------	--	--------	--



CH 4 OUTPUT

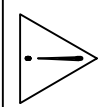


ACTION: NO CHANGE TO PART, WAS 102472		DRAWN BY: FJ 21APR99		CHECKED BY: RJ 18AUG97	
10802 47th Avenue West Maple Ridge WA 98279-5098		RANE		SHEET: 4 of 7	
102811		SCHEM: CH 4 SRM66		102811	

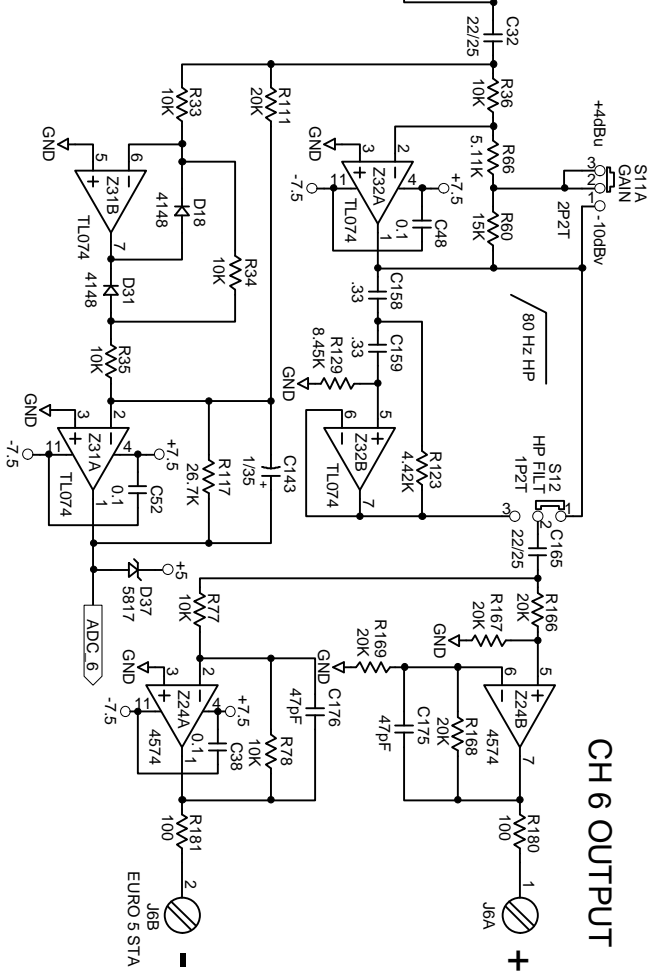
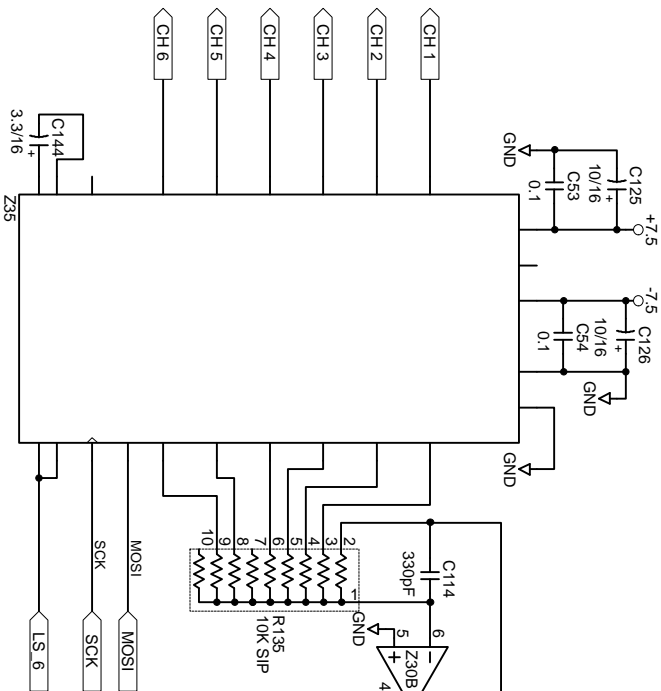


CH 5 OUTPUT

H:\SRM66102812-5.SCH
21-Apr-1999

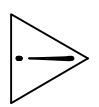


ACTION: NO CHANGE TO PART, WAS 102472 FJ 21APR99		DRAWN BY: SKH 18AUG97		CHECKED BY: RJ 18AUG97	
10802 47th Avenue West Maple WA 98149				SHEET: 5 of 7	
SCHEM: CH 5 SRM66				102811	



CH 6 OUTPUT

H:\SRM66102812-6.SCH
21-Apr-1999



ACTION:
NO CHANGE TO PART, WAS 102472
FJ 21APR99
DRAWN BY:
SKH 18AUG97
CHECKED BY:
RJ 18AUG97



SHEET:
6 of 7
SCHEM: CH 6 SRM66
102811

