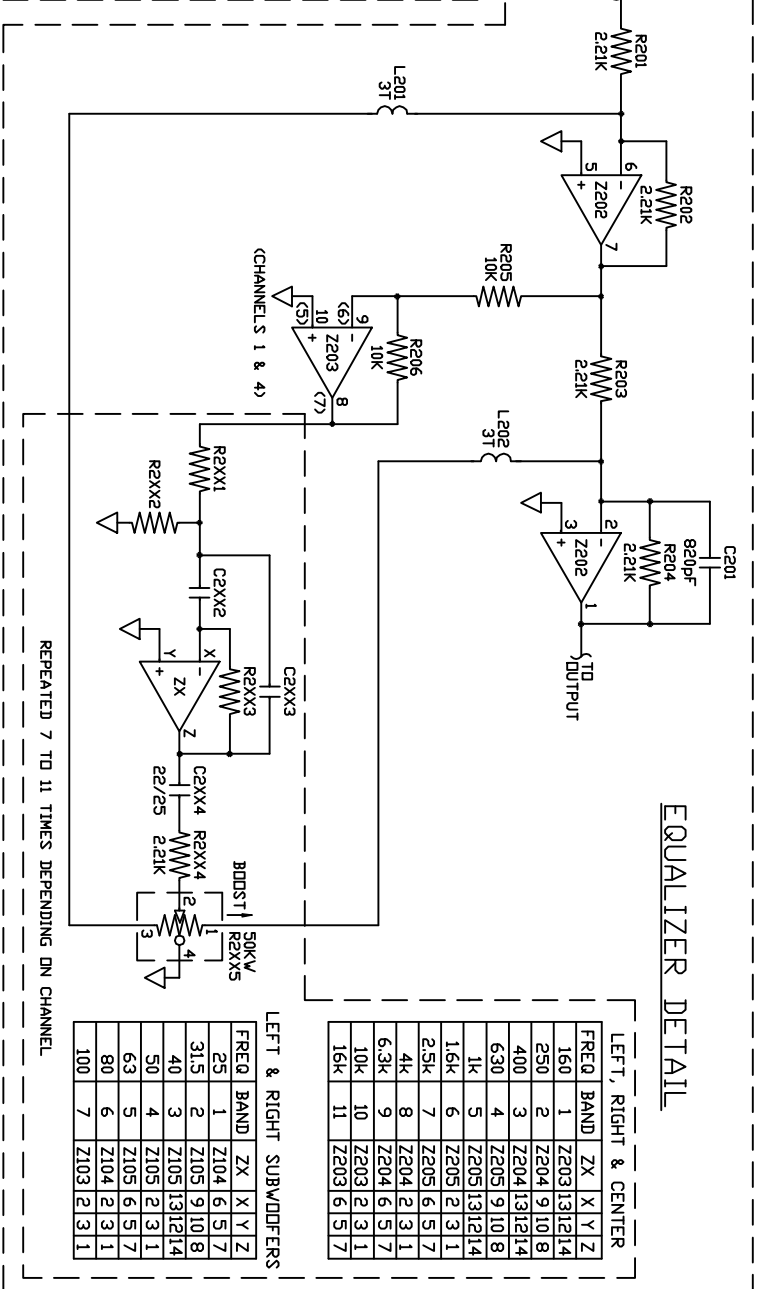
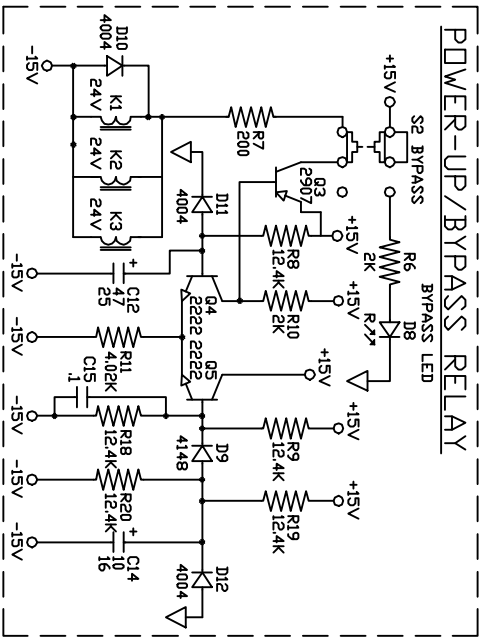


ACTION: NO CHANGE TO PART, NEW DOC#		REVISION: FJ		APPROVED:		DATE: 2/18/98	
DRAWN: RJ		DATE: 17MAR94		CHECKED: SKH		DATE: 17MAR94	
SHEET: 1 OF 2		DD NOT SCALE DRAWING		SHEET: 1 OF 2		DATE: 2/18/98	
				Corp. 10802 47th Avenue West, Mukilteo WA 98275-5098 (425) 355-6000			
TITLE		SCHEM		DOC. NO.		101585	
I/O SSE 35							



LEFT, RIGHT & CENTER

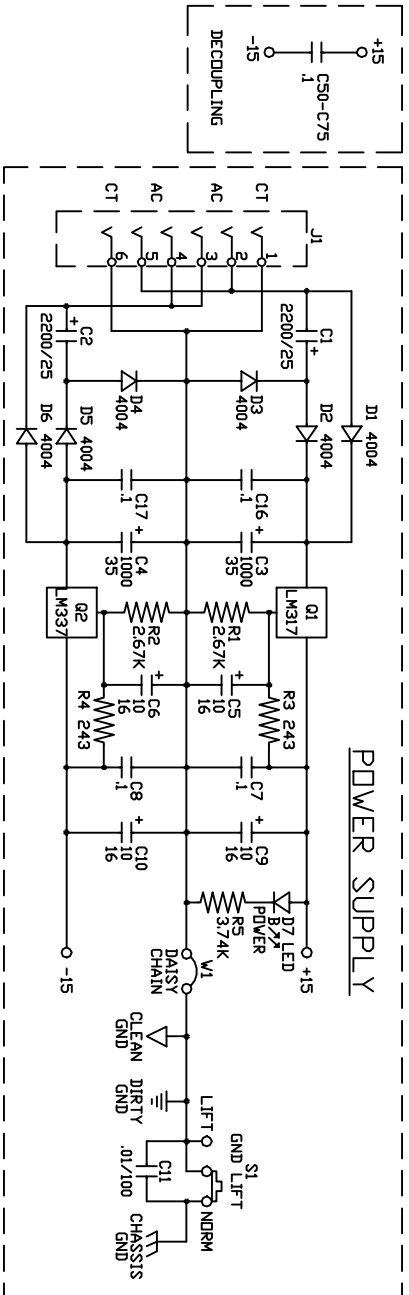
FREQ BAND	ZX	X	Y	Z
160	1	Z203	13	12
250	2	Z204	9	10
400	3	Z204	13	12
630	4	Z205	9	10
1k	5	Z205	13	12
1.6k	6	Z205	2	3
2.5k	7	Z205	6	5
4k	8	Z204	2	3
6.3k	9	Z204	6	5
10k	10	Z203	2	3
16k	11	Z203	6	5

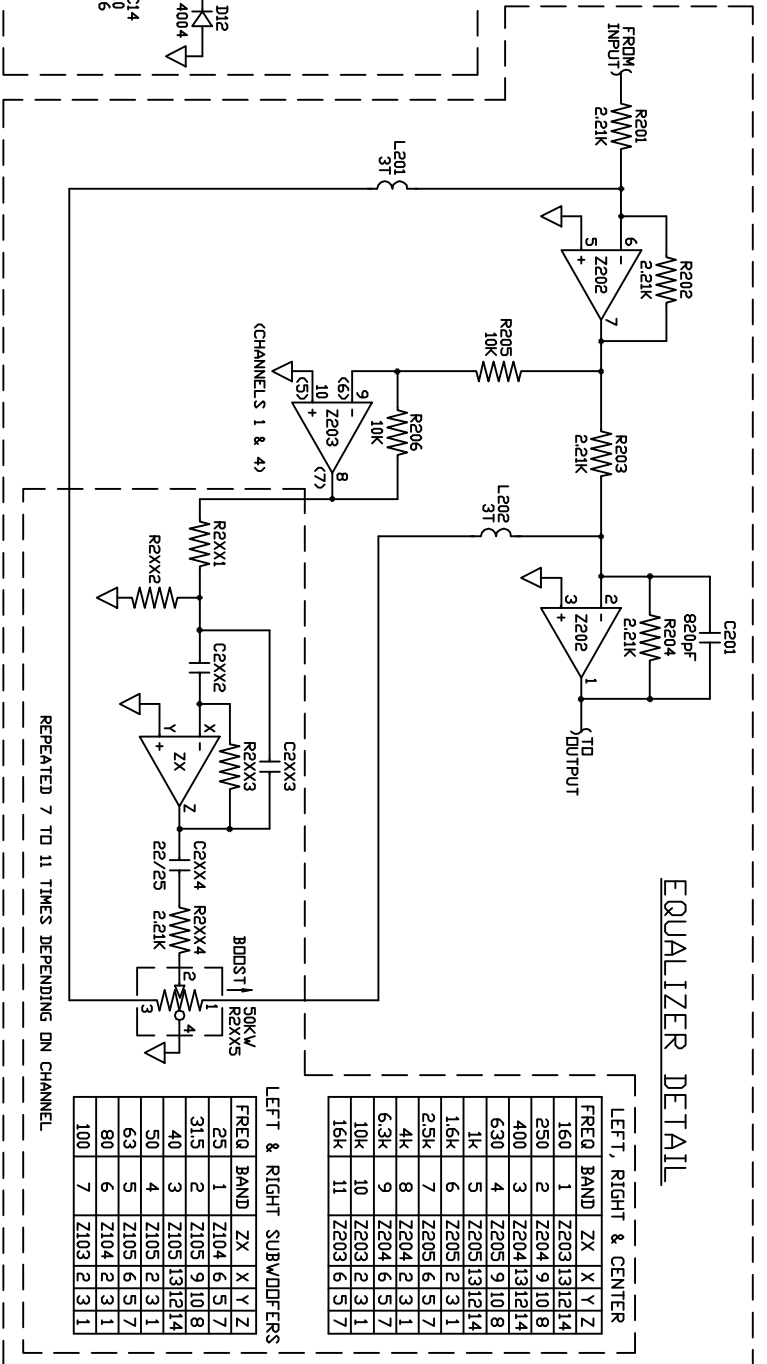
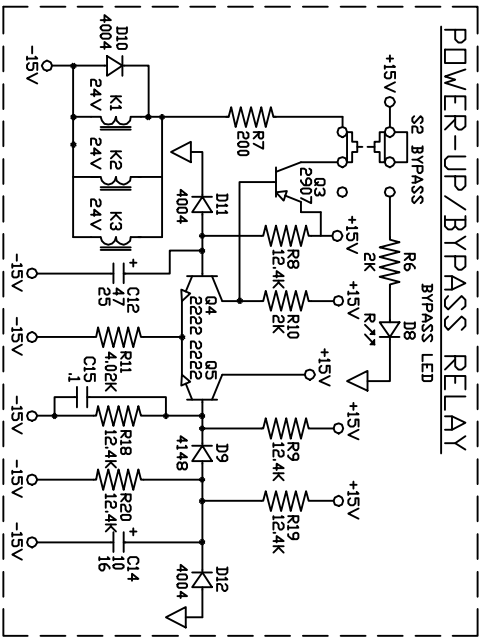
LEFT & RIGHT SUBWOOFERS

FREQ BAND	ZX	X	Y	Z
25	1	Z104	6	5
31.5	2	Z105	9	10
40	3	Z105	13	12
50	4	Z105	2	3
63	5	Z105	6	5
80	6	Z104	2	3
100	7	Z103	2	3

NOTES (UNLESS OTHERWISE SPECIFIED)

- ALL RESISTORS 1/4W, 1% METAL FILM
- ALL SVS SHOWN IN THEIR 'OUT' OR 'OFF' POSITION
- IC'S:
 - SINGLE = (ZX)X) 5534
 - DUAL = 4570 DR EQUIV.
 - QUAD = D111 DR EQUIV.
- POWER SUPPLY CONNECTIONS:
 - POS SUP
 - NEG SUP
- EQUALIZER DETAIL REPEATED FIVE TIMES
 - CHANNEL 1 PARTS NUMBERED 100-199 (LEFT SUBWOOFER)
 - CHANNEL 2 PARTS NUMBERED 200-299 (LEFT)
 - CHANNEL 3 PARTS NUMBERED 300-399 (CENTER)
 - CHANNEL 4 PARTS NUMBERED 400-499 (RIGHT SUBWOOFER)
 - CHANNEL 5 PARTS NUMBERED 500-599 (RIGHT)





LEFT, RIGHT & CENTER

FREQ BAND	ZX	X	Y	Z
160	1	Z203	13	12
250	2	Z204	9	10
400	3	Z204	13	12
630	4	Z205	9	10
1k	5	Z205	13	12
1.6k	6	Z205	2	3
2.5k	7	Z205	6	5
4k	8	Z204	2	3
6.3k	9	Z204	6	5
10k	10	Z203	2	3
16k	11	Z203	6	5

LEFT & RIGHT SUBWOOFERS

FREQ BAND	ZX	X	Y	Z
25	1	Z104	6	5
31.5	2	Z105	9	10
40	3	Z105	13	12
50	4	Z105	2	3
63	5	Z105	6	5
80	6	Z104	2	3
100	7	Z103	2	3

NOTES (UNLESS OTHERWISE SPECIFIED)

- ALL RESISTORS 1/4W, 1% METAL FILM
- ALL SVS SHOWN IN THEIR 'OUT' OR 'OFF' POSITION
- IC'S: SINGLE = (ZX)D 5534
DUAL = 4570 DR EQUIV.
QUAD = D11 DR EQUIV.
POWER SUPPLY CONNECTIONS: POS SUP NEG SUP
- POWER SUPPLY CONNECTIONS: POS SUP NEG SUP
- EQUALIZER DETAIL REPEATED FIVE TIMES
CHANNEL 1 PARTS NUMBERED 100-199 (LEFT SUBWOOFER)
CHANNEL 2 PARTS NUMBERED 200-299 (LEFT)
CHANNEL 3 PARTS NUMBERED 300-399 (CENTER)
CHANNEL 4 PARTS NUMBERED 400-499 (RIGHT SUBWOOFER)
CHANNEL 5 PARTS NUMBERED 500-599 (RIGHT)
COMPONENTS NUMBERED 1-99 ARE COMMON TO ALL CHANNELS
BAND DESIGNATION SCHEME:
X X XX X
X X XX X
DESIGNATOR (01-10)-IF NEEDED
BAND NUMBER (1-10)
LEFT SUBWOOFER, 2=LEFT, 3=CENTER, 4=RIGHT SUBWOOFER, 5=RIGHT
COMPONENT TYPE
EXAMPLE: C20/3
C (CAPACITOR), 2 = CHANNEL (LEFT), 07 = BAND (2500HZ), 3 = DESIGNATOR

