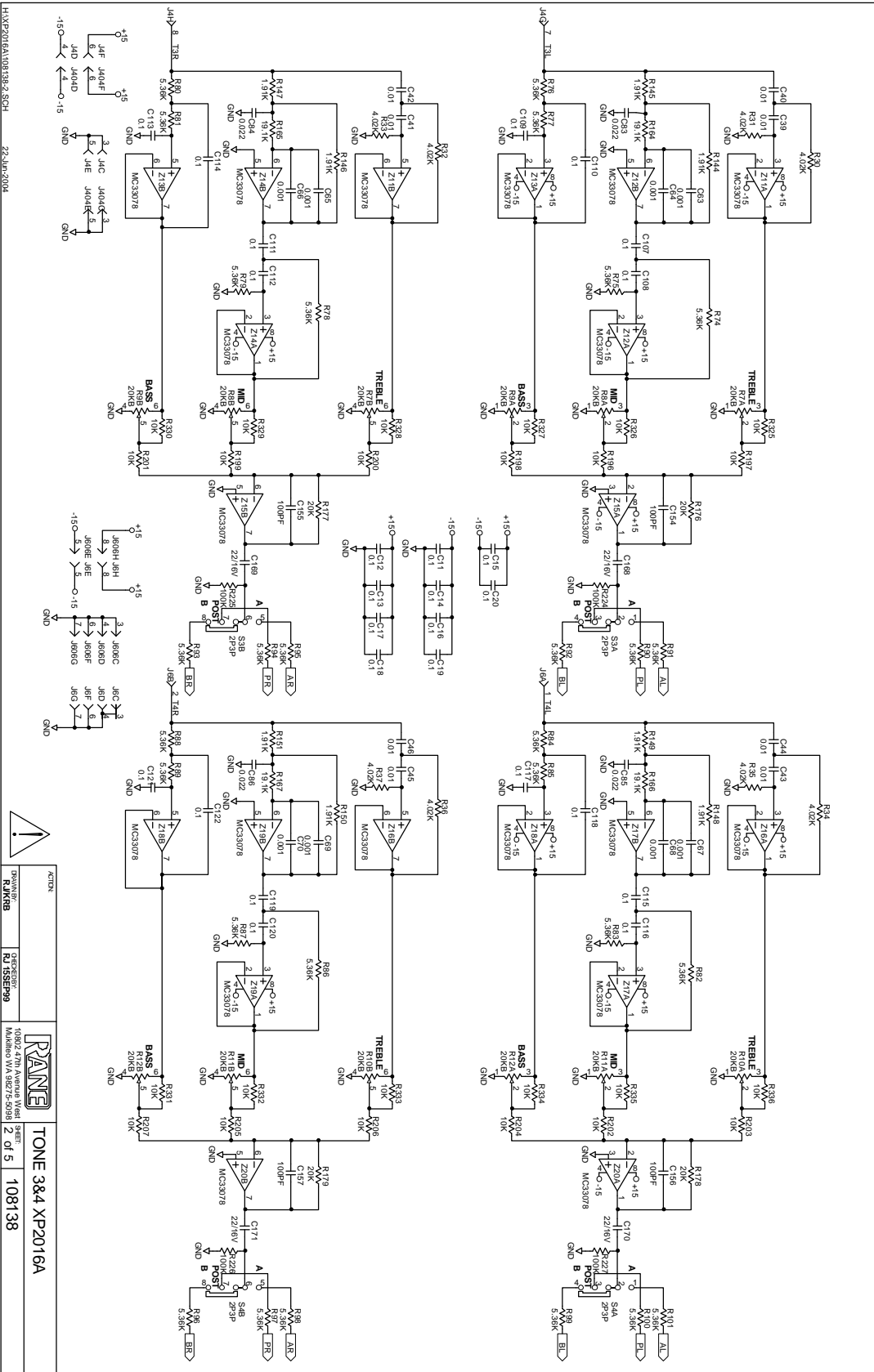
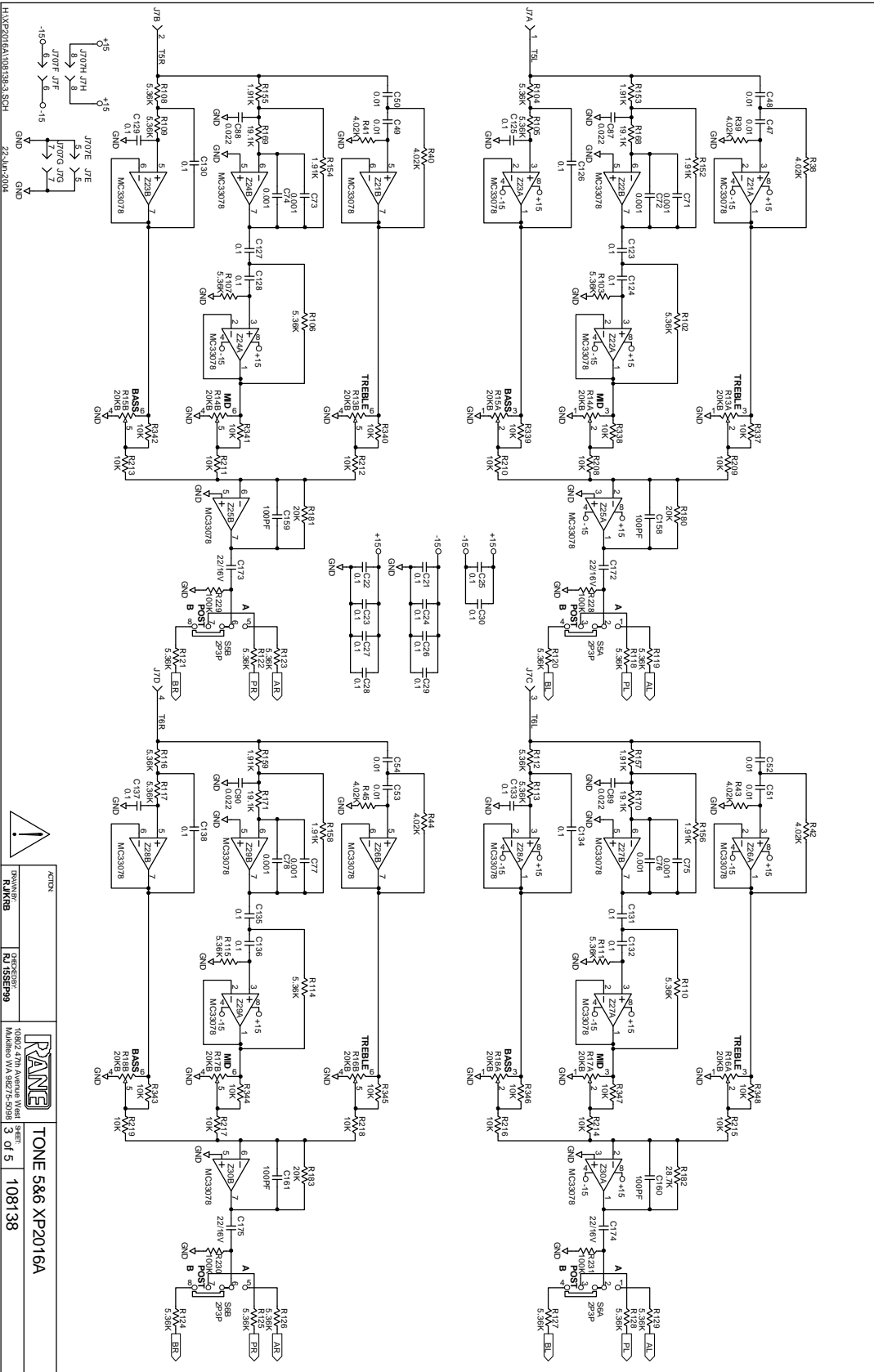


<p> ACTON DRAWING: RAJMB CHECKED BY: RJUSSEPH PANE 10802 27th Avenue West Hudsons VVA 98275-2881 1 of 5 TONE 1&2 XP2016A 108138 </p>
--

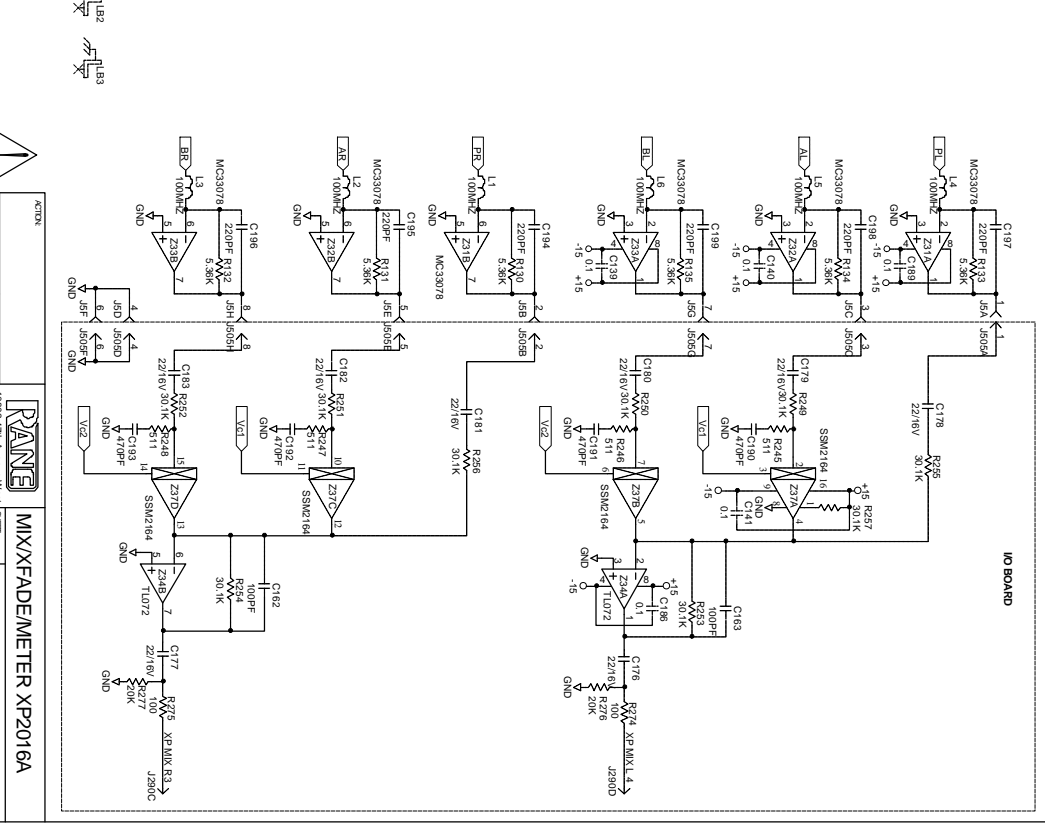
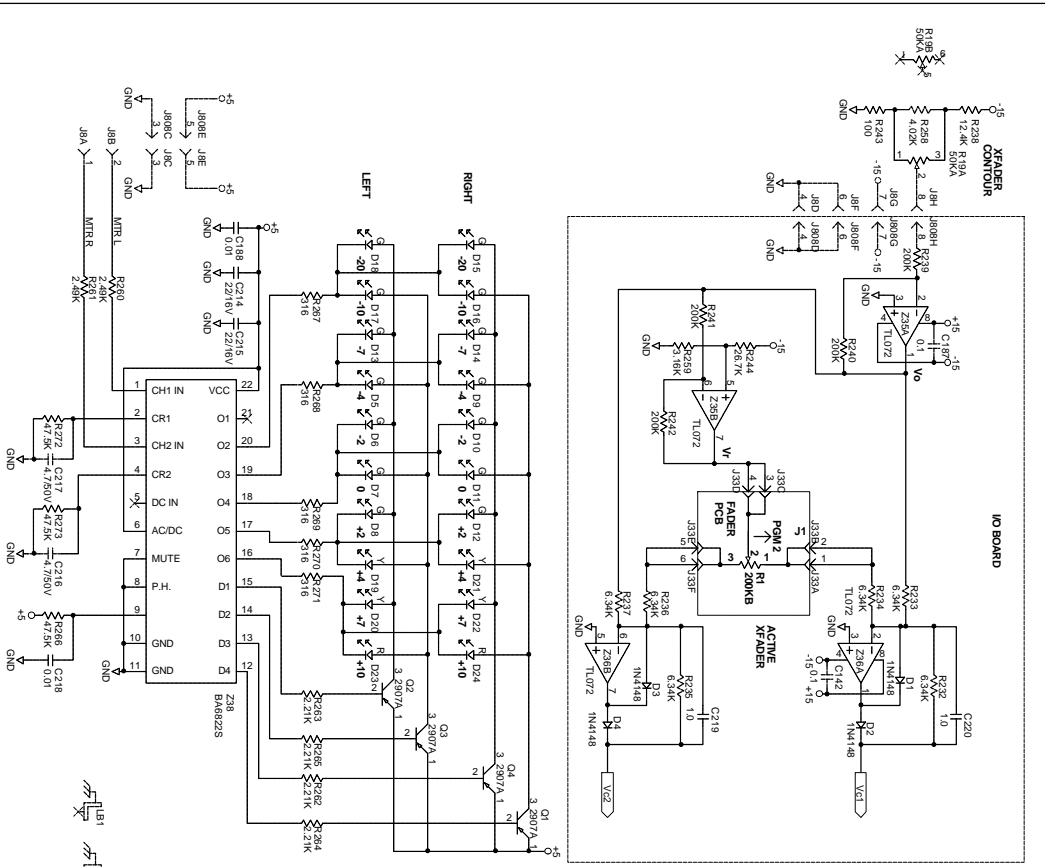


H:\XP2016A\108138_2.SCH 22-JUN-2004

	TONER 10802 27th Avenue West Hudsonville MI 49421-3691 2 of 5
AUTHOR: RUMKB DRAWN BY: RUMKB CHECKED BY: RUMKB DATE: 10/15/99	108138



ACTION
 DRAWING: RAKRB
 CHECKED: RJSSP99
 10802 47th Avenue West
 Markham, ON L3R 9V7
RYAN
 TONE 5&6 XP2016A
 SHEET 3 OF 5
 108138



ACTION: DRAWING: RANKRB CREATOR: RJ15SEPP9
 10802 47th Avenue West SHEET: 4 OF 5
 108133
PANE MIX/FADER/METER XP2016A
 10802 47th Avenue West SHEET: 4 OF 5
 108133

