

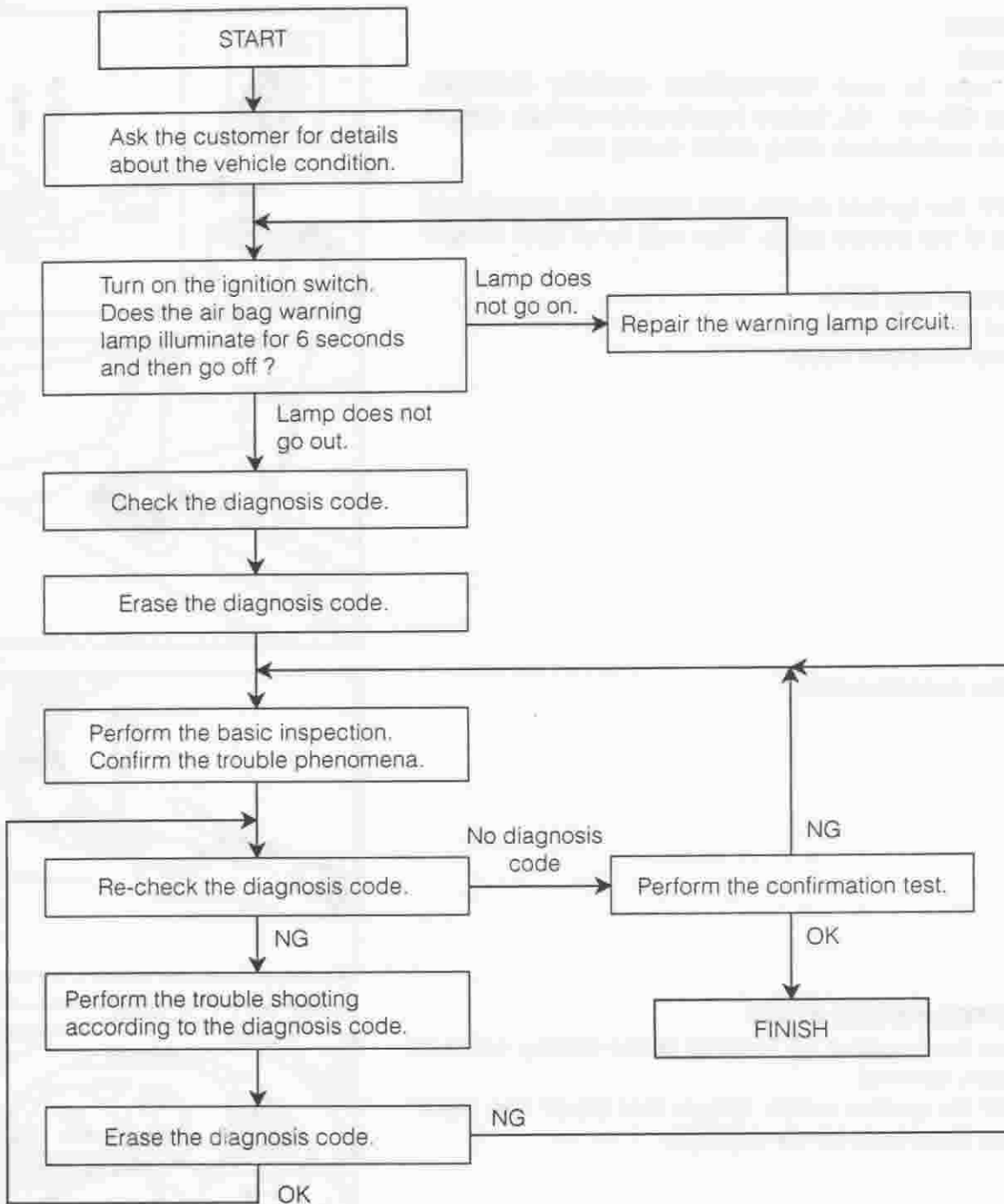
## TROUBLE SHOOTING

When proceeding with operations for a malfunctioning vehicle, it is imperative to confirm the malfunction phenomena actually before pinpointing the causes. In order to reproduce the malfunction phenomena, collecting information from the customer is of great importance.

## WARNING:

- The aforesaid describes general notes. In the air bag system, there are some cases where the malfunction phenomena can not be reproduced due to the characteristics of the system. Therefore, any wrong operations during checks and repairs may cause the air bag to function accidentally and deploy. Please observe the notes and perform the operations according to the instructions given in the manual.

JBE00188-00000



JBE00189-00000

**ABNORMAL ILLUMINATION OF WARNING LAMP**

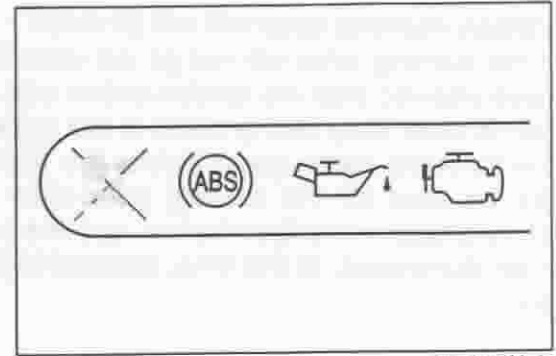
**<When warning lamp will not go on:>**

If the warning lamp will not go on when the ignition switch is turned on, check the following items.

1. Battery for defects or insufficient charge
2. Battery cable for poor connection
3. ECU IG fuse for open wire (at junction block)
4. Warning lamp LED for being burnt out
5. Wire harness between air bag warning lamp and air bag ECU for abnormality

**NOTE:**

- When the gauge fuse has blown, other warning lamps will not go on.
- If the cowl harness has open wire between the gauge fuse and the combination meter, other warning lamps also will not go on.



JBE00190-00151

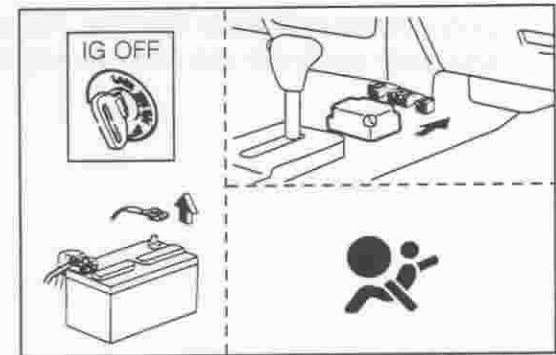
**Check of wire harness**

1. Turn OFF the ignition switch and detach the negative (-) terminal of the battery cable. Then wait for at least 90 seconds.
2. Remove the front and rear console box.
3. Remove the computer cover.
4. Disconnect the connector from the air bag ECU.
5. Connect the battery negative (-) cable.
6. Turn ON the ignition switch. Check to see if the warning lamp goes on.

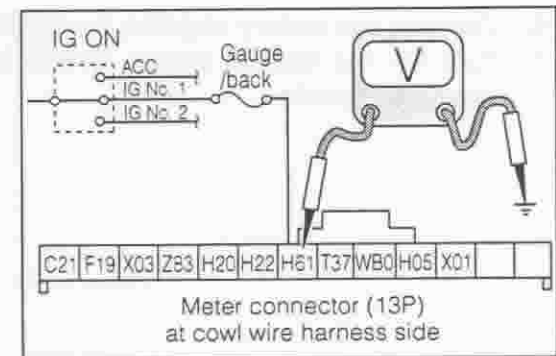
**NOTE:**

- When there is open wire between the warning lamp circuit inside the combination meter and the air bag ECU, the warning lamp goes on.

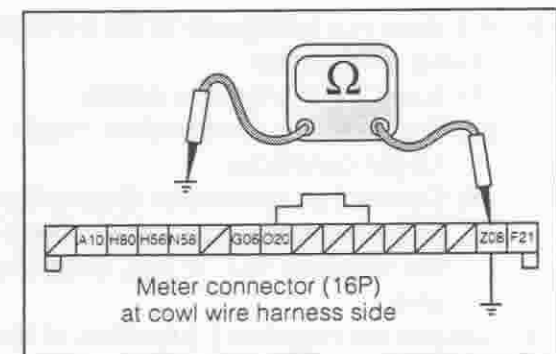
7. If the warning lamp will not go on in the condition 6, perform the following procedures.
  - (1) Remove the combination meter and disconnect the 13-pin connector.
  - (2) Connect a voltmeter. Ensure that the battery voltage exists between the terminal H61 at the cowl wire harness connector side and the body earth. If not, check and replace the cowl wire.
  - (3) Disconnect the 16-pin connector.
  - (4) Connect an ohmmeter. Ensure that continuity exists between the terminal Z08 at the cowl wire harness connector side and body earth. If no continuity exists, check and replace the cowl wire.
8. Turn OFF the ignition switch and detach the negative (-) terminal of the battery cable.



JBE00191-00152



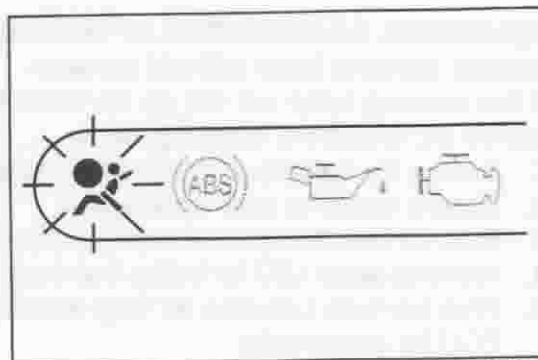
JBE00192-00153



JBE00193-00154

**<When warning lamp will not go out:>**

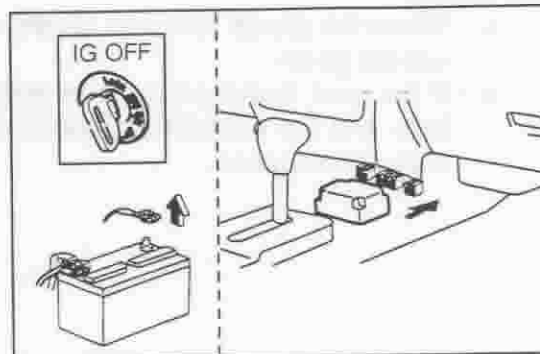
If the warning lamp will not go out even if about six seconds have elapsed after the ignition switch was turned on, malfunction is most likely taking place in the system. However, as for the following items given below, the malfunction codes can not be read by the reading procedure for the malfunction code already described before, and the warning lamp will remain illuminated. At this time, proceed to the following inspection.



JBE00194-00155

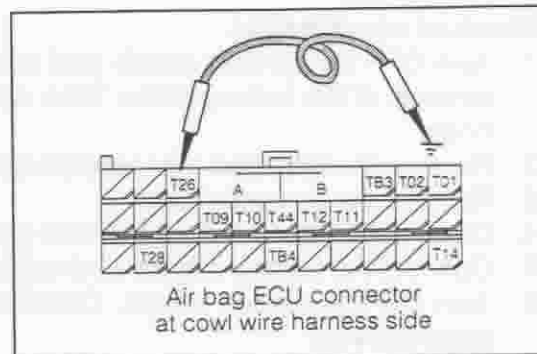
**Check of wire harness**

1. Turn OFF the ignition switch and detach the negative (-) terminal of the battery cable. Then wait for at least 90 seconds.
2. Remove the front and rear console box by removing attaching screws.
3. Remove the computer cover.
4. Disconnect the connector from the air bag ECU.



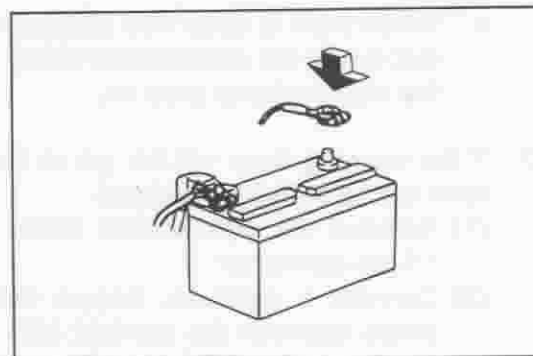
JBE00195-00156

5. Connect the connector terminal T26 at the cowl wire side and body earth with the jump wire to short them.



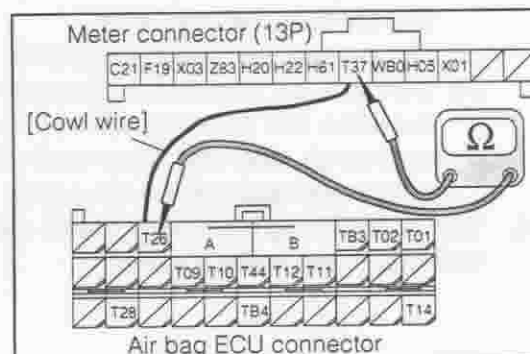
JBE00196-00157

6. Connect the battery negative (-) cable.
7. Turn ON the ignition switch. Check to see if the warning lamp extinguishes.



JBE00197-00158

8. If it does not extinguish in the condition 7, perform the following procedures.
  - (1) Turn OFF the ignition switch.
  - (2) Remove the combination meter and disconnect the 13-pin connector.
  - (3) Connect an ohmmeter. Ensure that the continuity exists at the cowl wire harness between the terminal T26 and the terminal T37. If not, check and replace the cowl wire.
9. Detach the negative (-) terminal of the battery cable.



JBE00198-00159

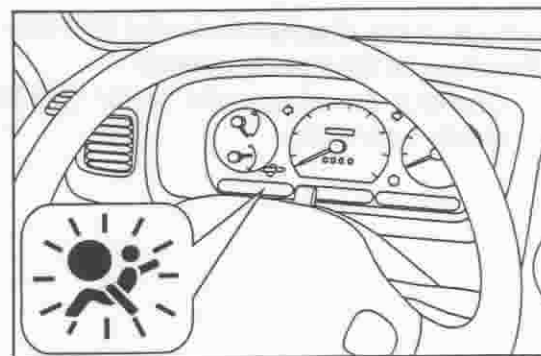
**DIAGNOSIS CHECK****Method using check lamp****<Confirmation procedure for diagnosis codes>**

1. Turn ON the ignition switch.
2. If the air bag warning lamp goes on for six seconds and goes out afterward, the system is functioning properly.

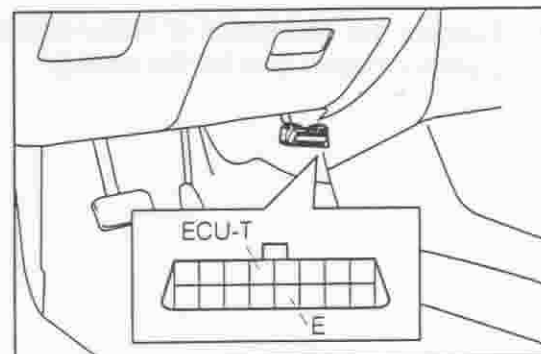
**NOTE:**

- If the lamp will not go on at this time, refer to page BE-61.

3. If the warning lamp keeps illuminated for more than six seconds, it means a certain system malfunctioning is being detected. Proceed to the following operations.
4. Connect the test terminal (ECU-T) and the earth terminal (E) with a jump wire.
5. Confirm the diagnosis code by reading the number of flashing of the combination lamp.



JBE00199-00160



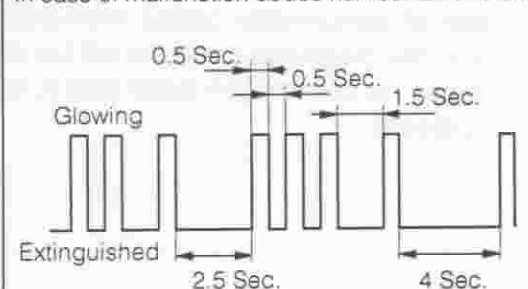
JBE00200-00161

**<Reading of diagnosis codes>**

When two or more malfunction codes are outputted, the codes are indicated in the sequence of the code numbers, starting from a smaller number, with a four-second distinguished period interposed between codes.

After a lapse of four seconds, the malfunction codes are indicated by the repetition of a 0.5-second glowing period and a 0.5-second extinguished period. If the code is a two-digit number, the 1.5-second extinguished period is interposed between the units digit and the tens digit.

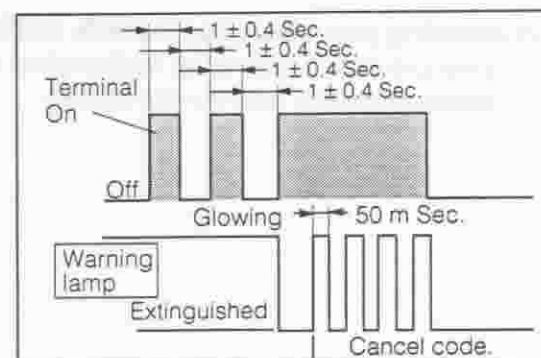
In case of malfunction codes number 21 and 31



JBE00201-00162

**<Canceling procedure for records of diagnosis codes>**

1. The diagnosis codes can be canceled by connecting repeatedly the test terminal (ECU-T) with the earth terminal (E) at the intervals shown in the figure.

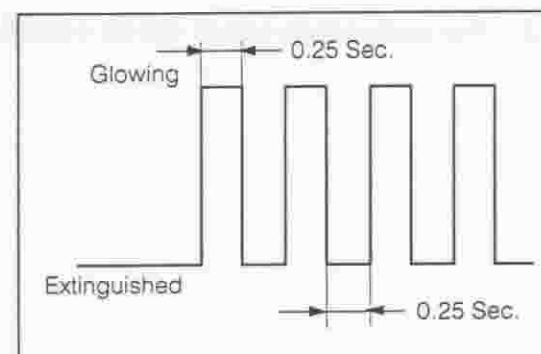


JBE00202-00163

2. When the malfunction has been remedied and the system has resumed, the normal code shown in the figure is indicated.

**NOTE:**

- The cancellation procedure for the malfunction record can not be applied to the cancellation of the record of the malfunction for the ECU internal circuit. (Diagnosis code numbers 31)

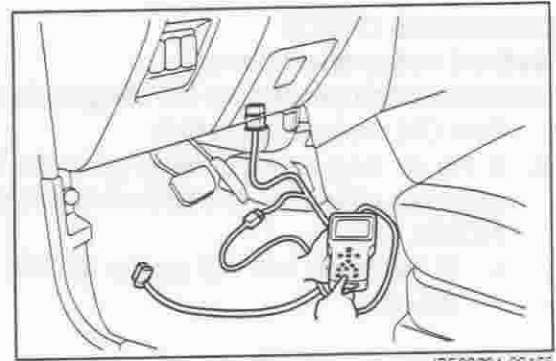


JBE00203-00164

**Method using diagnostic tester (DS-21)**

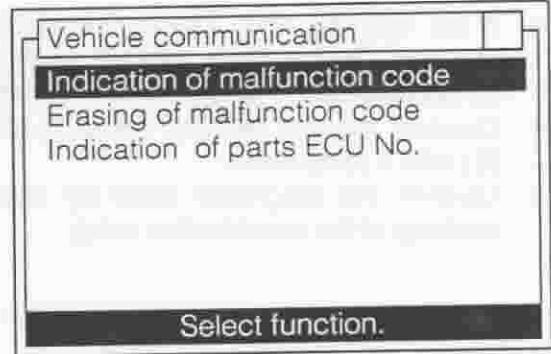
**<Reading of diagnosis codes>**

1. Connect the diagnostic tester (DS-21) to the diagnosis check connector.



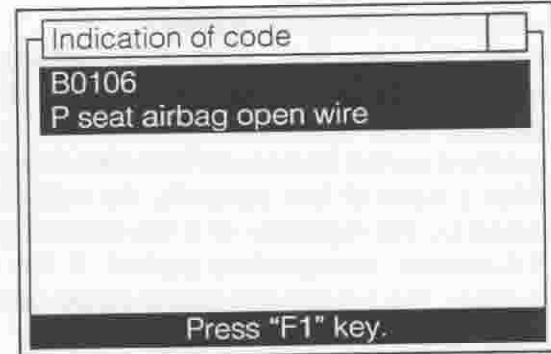
JBE00204-00165

2. Execute the "Indication of malfunction code" of the vehicle communication item for the airbag.



JBE00205-00166

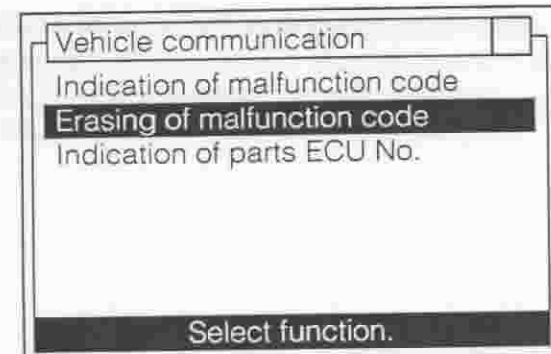
3. In cases where any malfunction code is present, the number of abnormality codes memorized in the airbag ECU and the diagnosis contents will be indicated. When no malfunction code exists, a message "Not found" appears.



JBE00206-00167

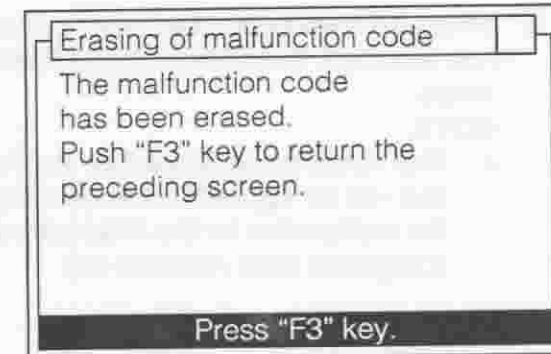
**<Canceling procedure for records of diagnosis codes>**

1. Execute the "Erasing of malfunction code" of the vehicle communication item for the airbag.



JBE00207-00168

2. The malfunction codes will be erased.



JBE00208-00169

## LIST OF MALFUNCTION CODES

Diagnosis code DS-21	Diagnosis code Warning lamp	Diagnosis items	Refer to page
B0102	11	Earth short of squib system of airbag at driver's seat	BE-66
B0103	12	Power supply short of squib system of airbag at driver's seat	BE-67
B0100	13	Shorted between wires of squib system of airbag at driver's seat	BE-69
B0101	14	Open wire of squib system of air bag at driver's seat	BE-68
B0119	29	Abnormality of open wire of IG1	BE-70
B0120		Abnormality of open wire of IG2	BE-70
B1100	31	Airbag ECU faulty	BE-84
B0107	51	Earth short of squib system of airbag at passenger seat	BE-72
B0108	52	Power supply short of squib system of airbag at passenger seat	BE-73
B0105	53	Shorted between wires of squib system of airbag at passenger seat	BE-75
B0106	54	Open wire of squib system of airbag at passenger seat	BE-74
B0132	61	Earth short of squib system of right pretensioner	BE-76
B0133	62	Power supply short of squib system of right pretensioner	BE-77
B0130	63	Shorted between wires of squib system of right pretensioner	BE-78
B0131	64	Open wire of squib system of right pretensioner	BE-79
B0137	71	Earth short of squib system of left pretensioner	BE-80
B0138	72	Power supply short of squib system of left pretensioner	BE-81
B0135	73	Shorted between wires of squib system of left pretensioner	BE-82
B0136	74	Open wire of squib system of left pretensioner	BE-83
B1310	91	Airbag already deployed (Deployed due to G input in collision)	BE-84
B1311	92	Airbag already deployed (Deployed by disposal tool)	BE-84
B1312	93	Fuel cut signal already outputted	BE-84
B1300	21	Battery voltage dropped	BE-70
B1301	22	Open wire of IG1, voltage dropped	BE-70
B1302	23	Open wire of IG2, voltage dropped	BE-70
B1303	24	W/L faulty	BE-71
B1304	25	Abnormal number of squibs	BE-85
B1305	26	Abnormal output line of fuel cut sensor	BE-85
B1306	26	Abnormal output line of door lock releasing sensor	BE-86

## CAUTION:

- After carrying out the trouble shooting according to diagnosis codes, cancel the diagnosis codes by following the code canceling method described at page BE-63.
- Even though the malfunction has been remedied, the code is not canceled automatically.

JBE00209-00000

DS-21 on screen	Check lamp indication
DTC No. B0102	Code No. 11

**WARNING:**

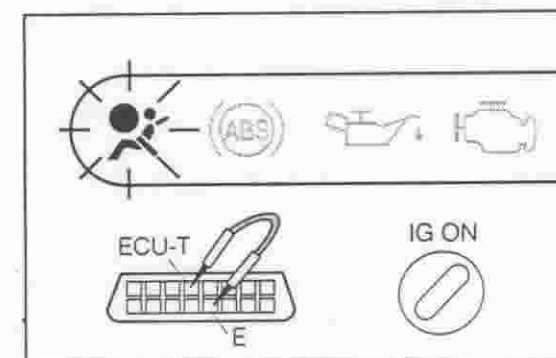
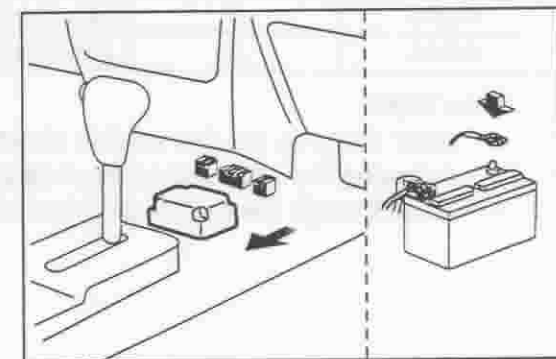
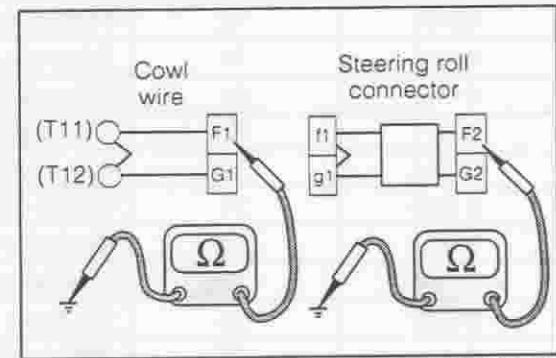
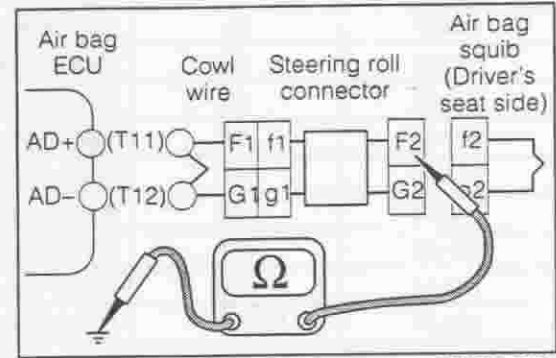
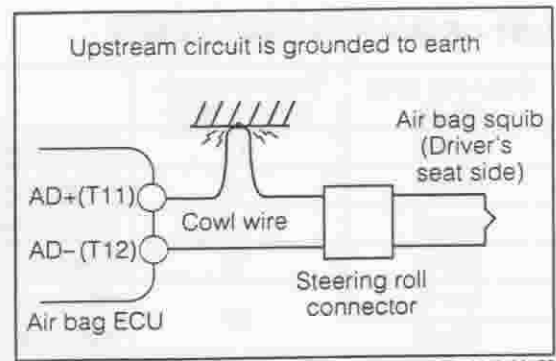
- Be sure to read "IMPORTANT SAFETY NOTICE", page BE-45 - 46, before handling the air bag components and observe every notice during work.

**NOTE:**

- As regards the removal and installation procedures for the air bag related parts, refer to page BE-51 - 59 of this service manual.

**Inspection**

1. Turn OFF the ignition switch and detach the negative (-) terminal of the battery cable. Then wait for at least 90 seconds.
2. Disconnect the connector from the air bag ECU.
3. Remove the steering pad assembly (air bag unit) from the steering wheel.
4. Disconnect the pad assembly connector from the roll connector.
5. Ensure that the no continuity exists between the roll connector terminal and the body earth.
  - Between Terminal F2 and Body Earth:  
No continuity exists.
  - Between Terminal G2 and Body Earth:  
No continuity exists.
6. If the terminal is shorted with the body earth, it is necessary to know whether the faulty point is attributable to the inside of the roll connector. To this end, disconnect the coupling connector of the roll connector and the wire cowl. Then, perform check with a circuit tester. If a short circuit is found, replace the faulty part with a new one.
7. Connect the connector at the vehicle wire harness side and the air bag ECU connector.
8. Connect the battery negative (-) cable.
9. Turn ON the ignition switch and take a reading of the diagnosis code.
10. After the inspection and installation, cancel the diagnosis code and confirm that the code 11 is not outputted any more.



DS-21 on screen	Check lamp indication
DTC No. B0103	Code No. 12

**WARNING:**

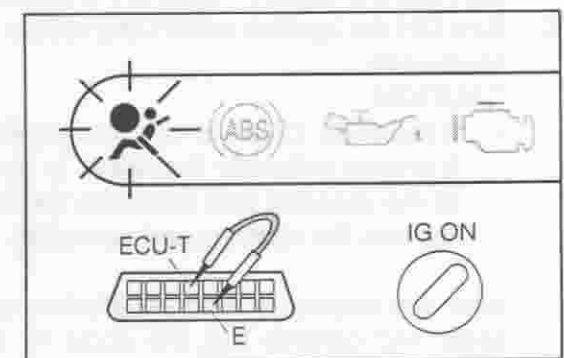
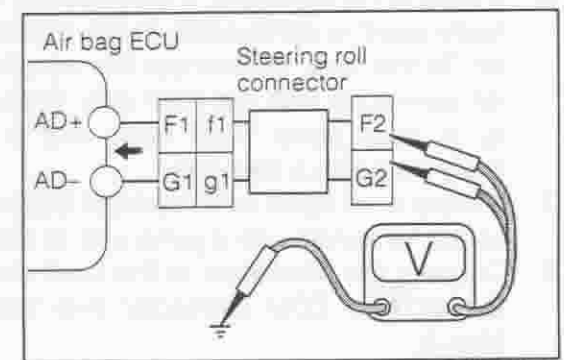
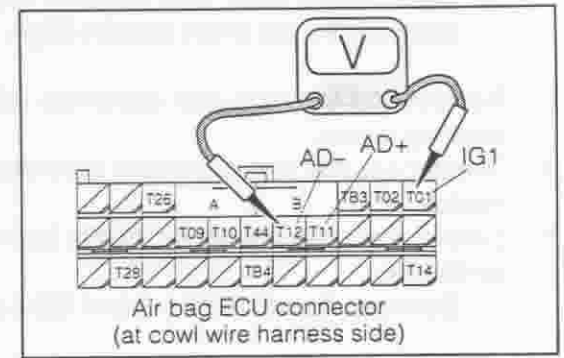
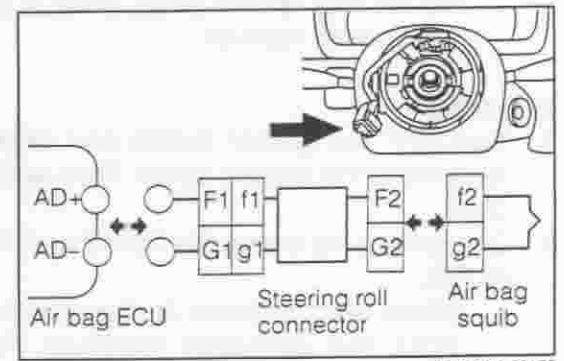
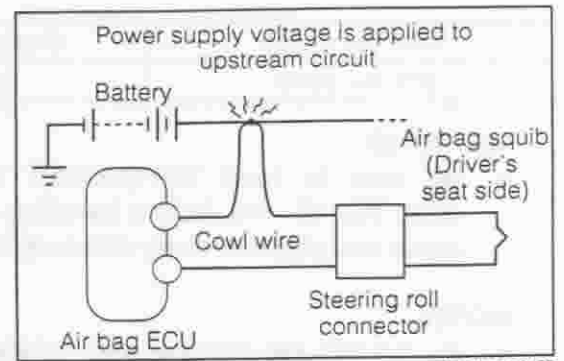
- Be sure to read "IMPORTANT SAFETY NOTICE", page BE-45 - 46, before handling the air bag components and observe every notice during work.
- When this code is indicated, the air bag system may operate as soon as the safing sensor at the ECU is turned on. Hence, if this code is indicated, immediately turn off the ignition key switch and proceed to the following steps.

**Explosion-preventive measure**

1. Turn OFF the ignition switch and detach the negative (-) terminal of the battery cable. Then wait for at least 90 seconds.
2. Disconnect the connector from the air bag ECU.
3. Remove the steering pad assembly (air bag unit) from the steering wheel.
4. Disconnect the pad assembly connector from the roll connector.

**Inspection**

1. Connect the battery negative (-) cable.
2. Connect the voltmeter to the vehicle wire harness side terminals. Then, turn on the ignition switch.
  - Between Terminal T11 (AD+) and T01 (IG1):  
No voltage exists.
  - Between Terminal T12 (AD-) and T01 (IG1):  
No voltage exists.
3. Turn OFF the ignition switch.
4. Connect the connector at the vehicle wire harness side and the air bag ECU connector.
5. Connect the voltmeter between the roll connector terminal and body earth.
6. Turn ON the ignition switch. Ensure that no voltage exists between the terminal and body earth.
  - Between Terminal F2 and Body Earth:  
No voltage exists.
  - Between Terminal G2 and Body Earth:  
No voltage exists.
7. After the inspection and installation, cancel the diagnosis code and confirm that the code 12 is not outputted any more.





DS-21 on screen	Check lamp indication
DTC No. B0101	Code No. 14

**WARNING:**

- Be sure to read "IMPORTANT SAFETY NOTICE", page BE-45 - 46, before handling the air bag components and observe every notice during work.

**NOTE:**

- As regards the removal and installation procedures for the air bag related parts, refer to page BE-51 - 59 of this service manual.

**Inspection**

1. Turn OFF the ignition switch and detach the negative (-) terminal of the battery cable. Then wait for at least 90 seconds.
2. Disconnect the connector from the air bag ECU.

**NOTE:**

- When the connector is disconnected from the air bag ECU, the connector terminals T11 (AD+) and T12 (AD-) at the cowl wire harness side are shorted automatically by the short circuit bridge.

3. Remove the steering pad assembly (air bag unit) from the steering wheel.
4. Disconnect the pad assembly connector from the roll connector.
5. Ensure that the continuity exists between the respective terminals.

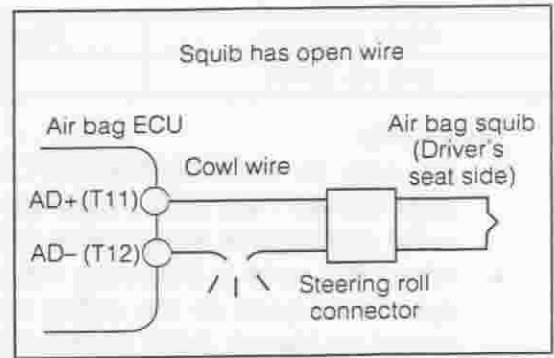
Between Terminal F2 (+) and G2 (-): Continuity exists.

6. If there is no continuity, it is necessary to know whether the faulty point is attributable to the inside of the roll connector. To this end, disconnect the coupling connector of the roll connector and the cowl wire. Then, check the continuity of each parts. If an open wire is found, replace the faulty part with a new one.
7. If there is no open wire, connect both ends of the roll connector terminals with a jump wire to short them.
8. Connect the connector at the cowl wire harness side and the air bag ECU connector that were disconnected at Step 2.
9. Connect the battery negative (-) cable.
10. Turn ON the ignition switch and take a reading of the diagnosis code.

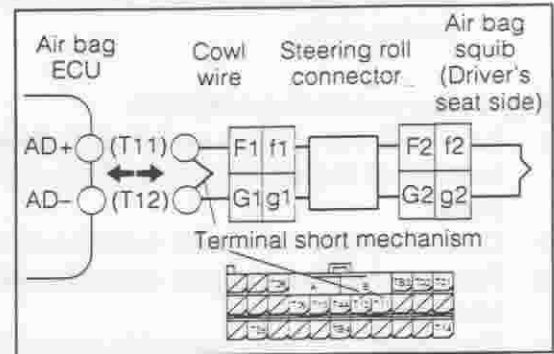
**CAUTION:**

- If the code 13 (short circuit of squib circuit) is indicated, it proves indirectly that there is open wire in the squib of the steering pad assembly (air bag unit). Therefore, replace the steering pad assembly.

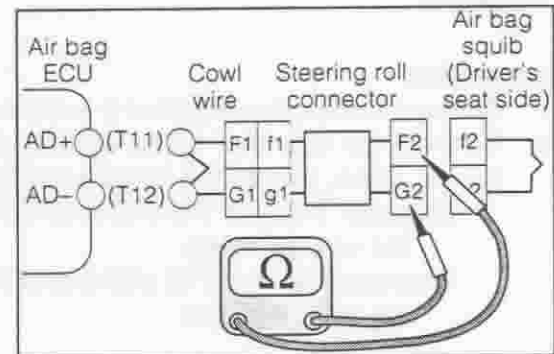
11. After the inspection and installation, cancel the diagnosis code and confirm that the code 13 and 14 are not outputted any more.



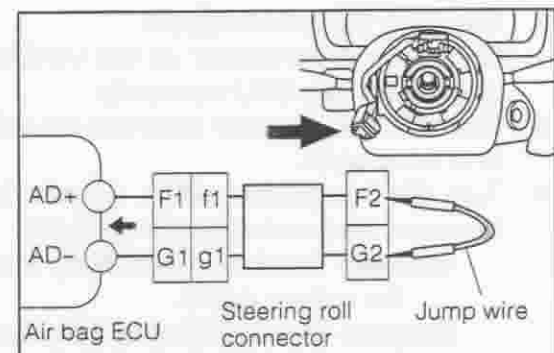
JBE00220-00180



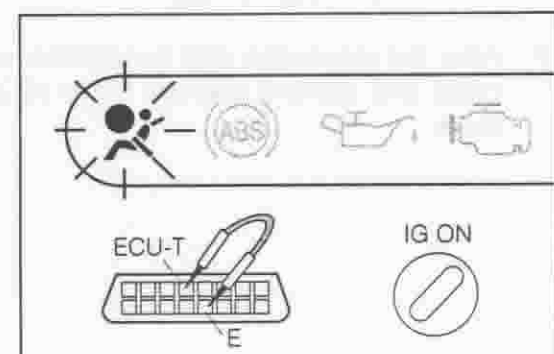
JBE00221-00181



JBE00222-00182



JBE00223-00183



JBE00224-00184

DS-21 on screen	Check lamp indication
DTC No. B0100	Code No. 13

**WARNING:**

- Be sure to read "IMPORTANT SAFETY NOTICE", page BE-45 - 46, before handling the air bag components and observe every notice during work.

**NOTE:**

- As regards the removal and installation procedures for the air bag related parts, refer to page BE-51 - 59 of this service manual.

**Inspection**

1. Turn OFF the ignition switch and detach the negative (-) terminal of the battery cable. Then wait for at least 90 seconds.
2. Remove the steering pad assembly (air bag unit) from the steering wheel.
3. Disconnect the pad assembly connector from the roll connector.
4. Remove the computer cover. Disconnect the connector at the vehicle wire harness side from the air bag ECU.
5. Using a wooden or plastic piece, raise the short circuit bridge at the sections T11 (AD+) and T12 (AD-) of the connector at the vehicle wire harness side which was removed from the ECU. In this way, disconnect the shorted contact points.

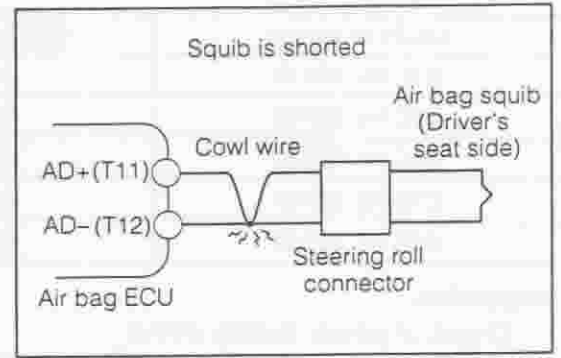
6. Connect the ohmmeter to the roll connector terminal. Check to see if any short circuit exists from the air bag ECU to the roll connector via the wire harness.

Between Terminal F2 and G2: No continuity exists.

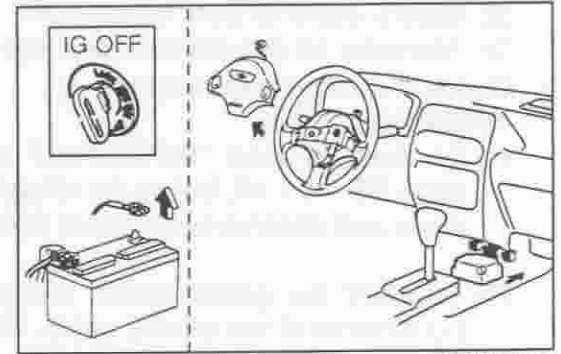
7. If the wiring harness is shorted, it is necessary to know whether the faulty point is attributable to the inside of the roll connector. To this end, disconnect the coupling connector of the roll connector and the wire cowl. Then, perform check with the ohmmeter. If a short circuit is found, replace the faulty part with a new one.

**NOTE:**

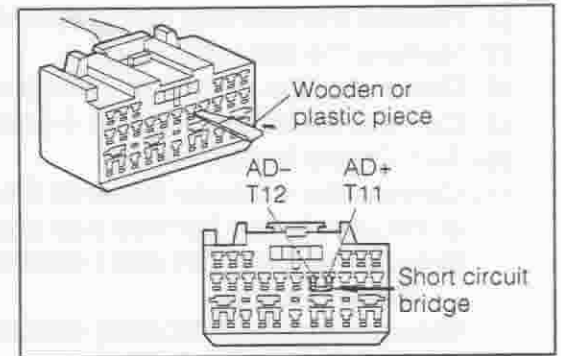
- At this time, turn the steering wheel in a right-and-left direction and ensure that there is no change in the indication of the circuit tester.
8. After the inspection and installation, cancel the diagnosis code and confirm that the code 13 is not outputted any more.



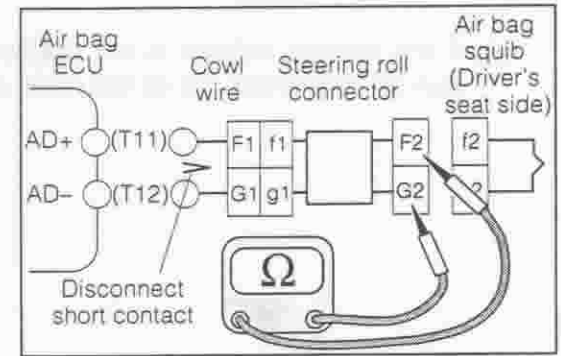
JBE00225-00185



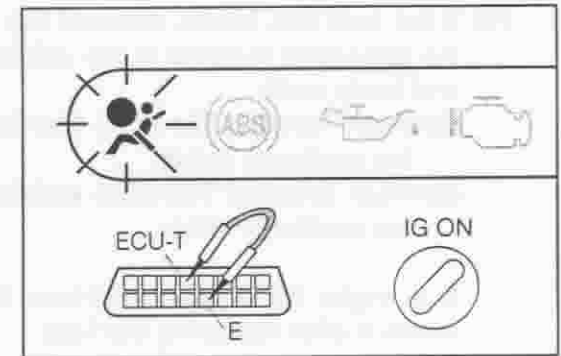
JBE00226-00186



JBE00227-00187



JBE00228-00188



JBE00229-00189

DS-21 on screen	Check lamp indication
DTC No. B0119	Code No. 29
DTC No. B0120	Code No. 29
DTC No. B0130	Code No. 21
DTC No. B0131	Code No. 22
DTC No. B0132	Code No. 23

**Inspection**

1. Check of power supply circuit
  - (1) Battery for defects or insufficient charge
  - (2) Battery cable for poor connection
  - (3) Alternator for defects or insufficient charge
2. Check of wire harness and fuse

**WARNING:**

- Be sure to read "IMPORTANT SAFETY NOTICE", page BE-45 - 46, before handling the air bag components and observe every notice during work.

- (1) Turn OFF the ignition switch and detach the negative (-) terminal of the battery cable. Then wait for at least 90 seconds.

- (2) Remove the front and rear console box.

- (3) Remove the computer cover.

- (4) Disconnect the connector from the air bag ECU.

- (5) Connect the battery negative (-) cable.

- (6) Turn ON the ignition switch.

- (7) Connect the voltmeter between the connector terminal at the vehicle wire harness side and body earth.

Between Terminal T01 (IG1) and Body Earth:

Battery voltage

Between Terminal T02 (IG2) and Body Earth:

Battery voltage

- (8) If the battery voltage is not applied to each terminal, pull off and check the air bag fuse and engine fuse.

- (9) If the fuse has blown, connect the ohmmeter between the connector terminal at the vehicle wire harness side and body earth.

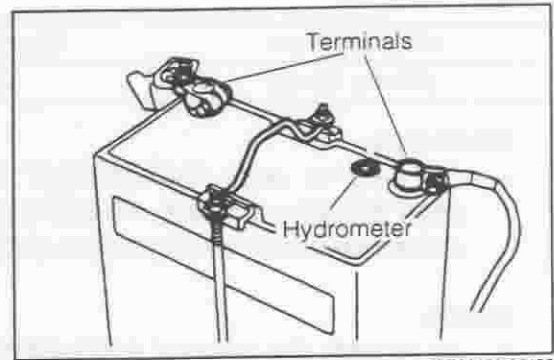
Between Terminal T01 (IG1) and Body Earth:

No continuity exists.

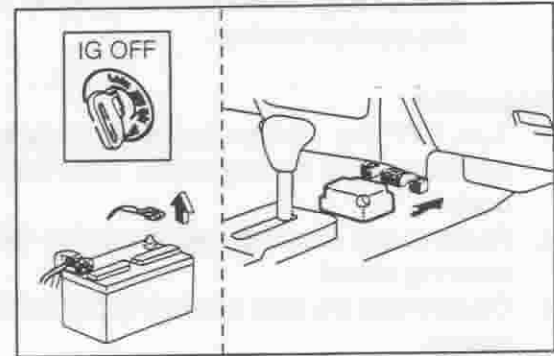
Between Terminal T02 (IG2) and Body Earth:

No continuity exists.

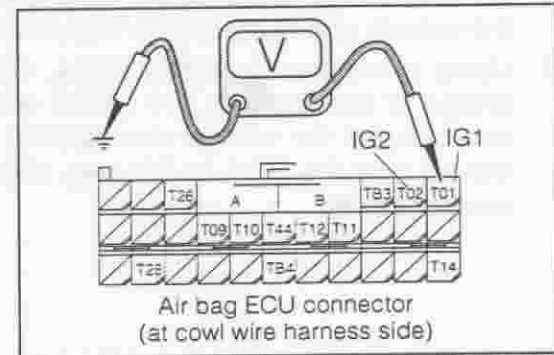
If it might be shorted, replace the harness. If not, recheck after replacing the fuse.



JBE00230-00190

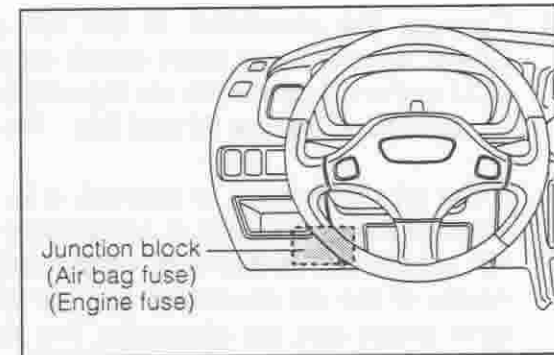


JBE00231-00191



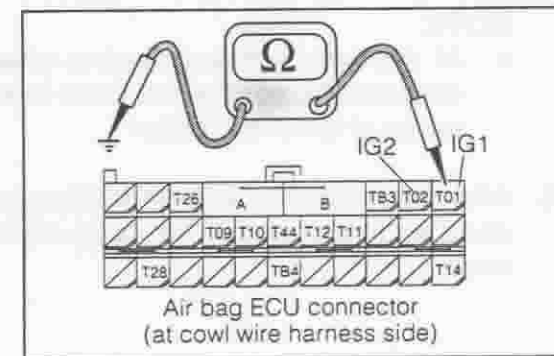
Air bag ECU connector (at cowl wire harness side)

JBE00232-00192



Junction block (Air bag fuse) (Engine fuse)

JBE00233-00193



Air bag ECU connector (at cowl wire harness side)

JBE00234-00194

(10) If the fuse has not blown, connect the ohmmeter between the connector terminal at the vehicle wire harness side and the fuse terminal.

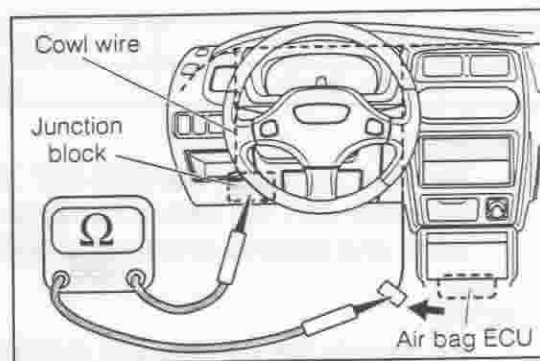
Between Terminal T01 (IG1) and Engine Fuse Terminal (at Junction Block):

Continuity exists.

Between Terminal T02 (IG2) and Air Bag Fuse Terminal (at Junction Block):

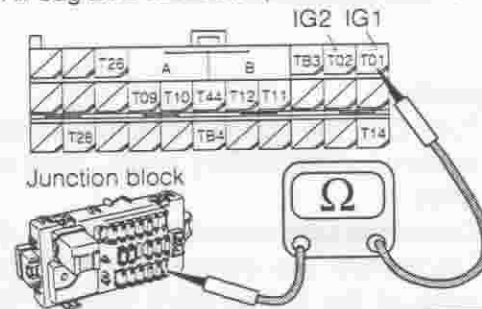
Continuity exists.

(11) If it might have open wire, replace the harness. If not, recheck the battery and power supply circuit.



JBE00235-00195

Air bag ECU connector (at cowl wire side)



JBE00236-00195

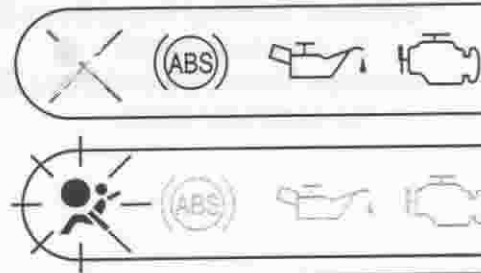
DS-21 on screen	Check lamp indication
DTC No. B1303	Code No. 24

Possible cause for malfunction: Abnormality in warning lamp illuminating circuit

**NOTE:**

- When this code is memorized, it indicates that open wire has taken place in the warning lamp circuit even though it occurred temporarily. However, if this code is now indicated, it means the circuit (wire harnesses, connectors, etc.) has been remedied to the normal condition.

Abnormality in warning lamp illuminating circuit



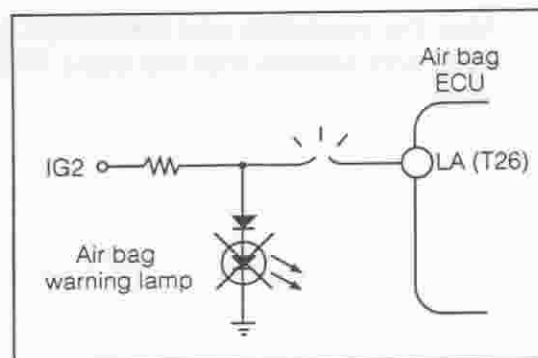
JBE00237-00197

**Inspection**

As regards the inspection procedures for the warning lamp illuminating circuit, refer to page BE-9 of this service manual.

**WARNING:**

- Be sure to read "IMPORTANT SAFETY NOTICE", page BE-45 - 46, before handling the air bag components and observe every notice during work.



JBE00238-00198

DS-21 on screen	Check lamp indication
DTC No. B0107	Code No. 51

**WARNING:**

- Be sure to read "IMPORTANT SAFETY NOTICE", page BE-45 - 46, before handling the air bag components and observe every notice during work.

**NOTE:**

- As regards the removal and installation procedures for the air bag related parts, refer to page BE-51 - 59 of this service manual.

**Inspection**

1. Turn OFF the ignition switch and detach the negative (-) terminal of the battery cable. Then wait for at least 90 seconds.
2. Disconnect the connector from the air bag ECU.
3. Disconnect the connector which connects the wire harness of the passenger's side air bag unit and the cowl wire.
4. Ensure that the no continuity exists between the cowl wire terminal and the body earth.

Between Terminal H and Body Earth:

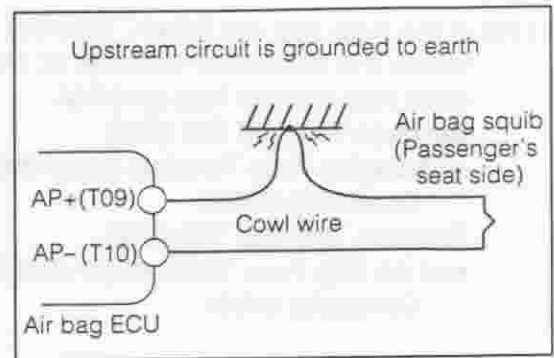
No continuity exists.

Between Terminal J and Body Earth:

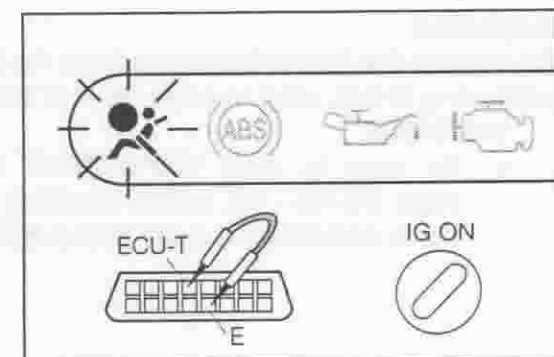
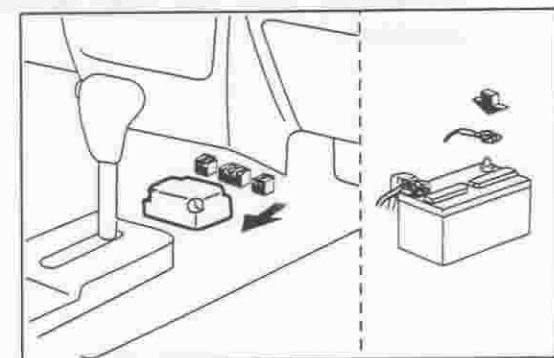
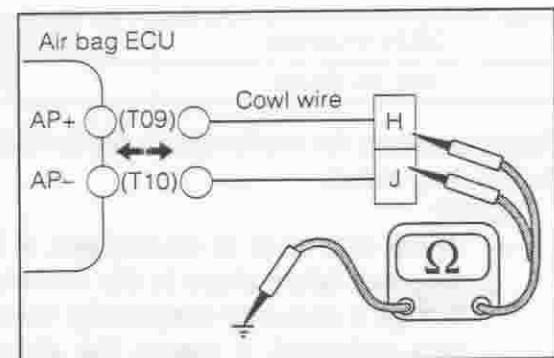
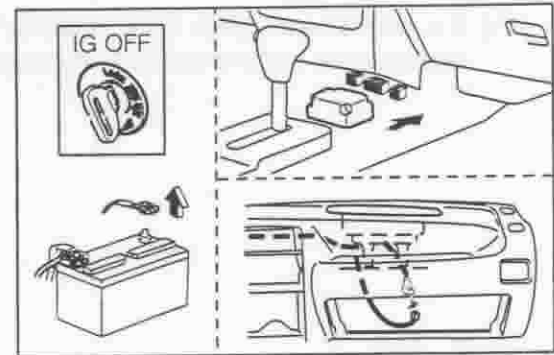
No continuity exists.

5. Connect the connector at the vehicle wire harness side and the air bag ECU connector.
6. Connect the battery negative (-) cable.
7. Turn ON the ignition switch and take a reading of the diagnosis code.

8. After the inspection and installation, cancel the diagnosis code and confirm that the code 51 is not outputted any more.



JBE00239-00199



DS-21 on screen	Check lamp indication
DTC No. B0108	Code No. 52

**WARNING:**

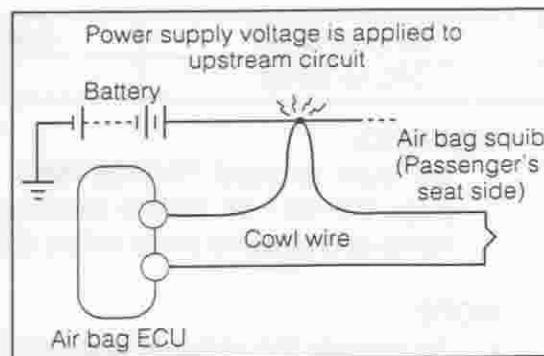
- Be sure to read "IMPORTANT SAFETY NOTICE", page BE-45 - 46, before handling the air bag components and observe every notice during work.
- When this code is indicated, the air bag system may operate as soon as the safing sensor at the ECU is turned on. Hence, if this code is indicated, immediately turn off the ignition key switch and proceed to the following steps.

**Explosion-preventive measure**

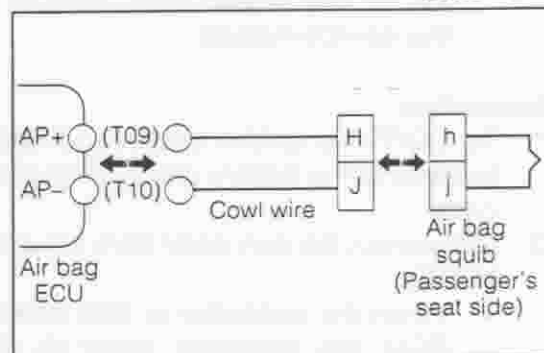
1. Turn OFF the ignition switch and detach the negative (-) terminal of the battery cable. Then wait for at least 90 seconds.
2. Disconnect the connector from the air bag ECU.
3. Disconnect the connector which connects the wire harness of the passenger's side air bag unit and the cowl wire.

**Inspection**

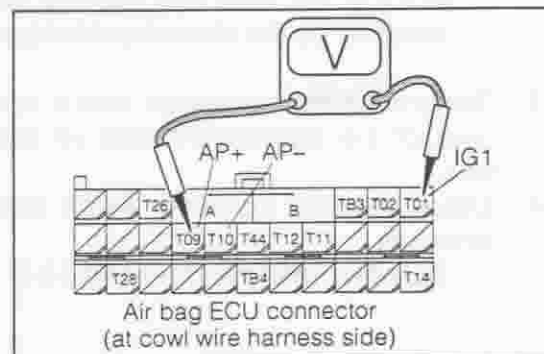
1. Connect the battery negative (-) cable.
2. Connect the voltmeter to the vehicle wire harness side terminals. Then, turn on the ignition switch.
  - Between Terminal T09 (AP+) and T01 (IG1):  
No voltage exists.
  - Between Terminal T10 (AP-) and T01 (IG1):  
No voltage exists.
3. Turn OFF the ignition switch.
4. Connect the connector at the vehicle wire harness side and the air bag ECU connector.
5. Connect the voltmeter between the cowl wire terminal and body earth.
6. Turn ON the ignition switch. Ensure that no voltage exists between the terminal and body earth.
  - Between Terminal H and Body Earth:  
No voltage exists.
  - Between Terminal J and Body Earth:  
No voltage exists.
7. After the inspection and installation, cancel the diagnosis code and confirm that the code 52 is not outputted any more.



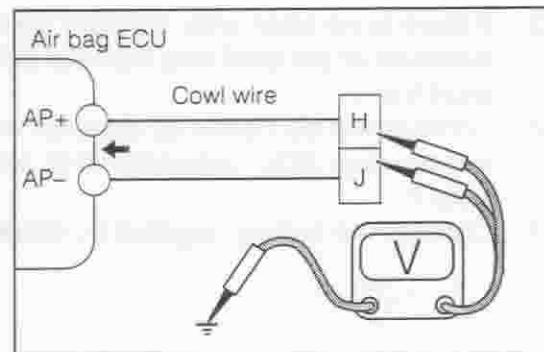
JBE00244-00204



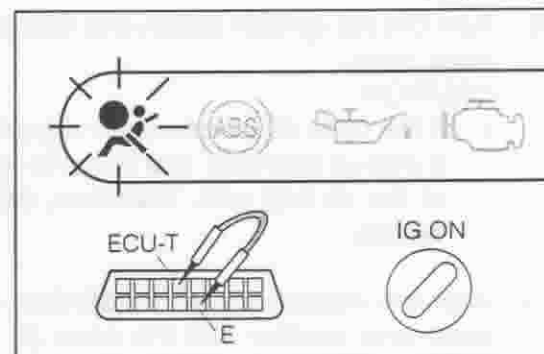
JBE00245-00205



JBE00246-00206



JBE00247-00207



JBE00248-00208

DS-21 on screen	Check lamp indication
DTC No. B0106	Code No. 54

**WARNING:**

- Be sure to read "IMPORTANT SAFETY NOTICE", page BE-45 - 46, before handling the air bag components and observe every notice during work.

**NOTE:**

- As regards the removal and installation procedures for the air bag related parts, refer to page BE-51 - 59 of this service manual.

**Inspection**

1. Turn OFF the ignition switch and detach the negative (-) terminal of the battery cable. Then wait for at least 90 seconds.

2. Disconnect the connector from the air bag ECU.

**NOTE:**

- When the connector is disconnected from the air bag ECU, the connector terminals AP+ (T09) and AP- (T10) at the cowl wire harness side are shorted automatically by the short circuit bridge.

3. Disconnect the connector which connects the wire harness of the passenger's side air bag unit and the cowl wire.

4. Ensure that the continuity exists between the respective terminals.

Between Terminal H (+) and J (-): Continuity exists.

5. If there is no open wire, connect both ends of the air bag terminals at the cowl wire harness side with a jump wire to short them.

6. Connect the connector at the cowl wire harness side and the air bag ECU connector that were disconnected at Step 2.

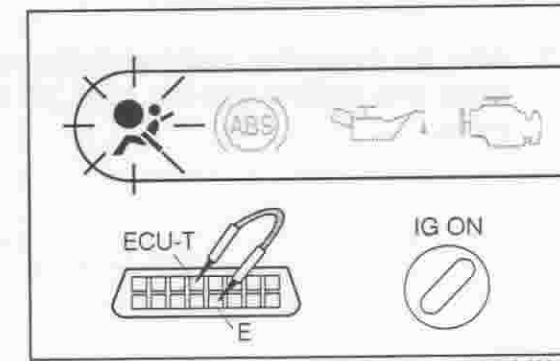
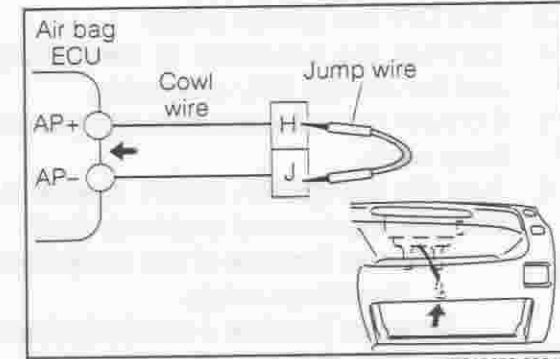
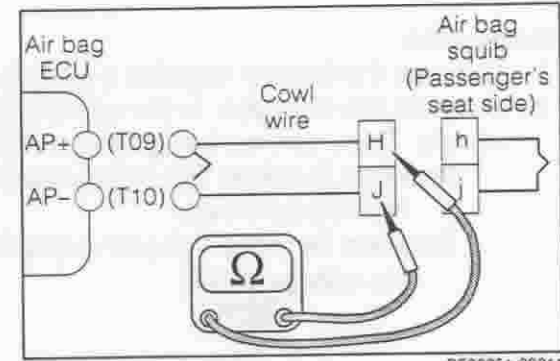
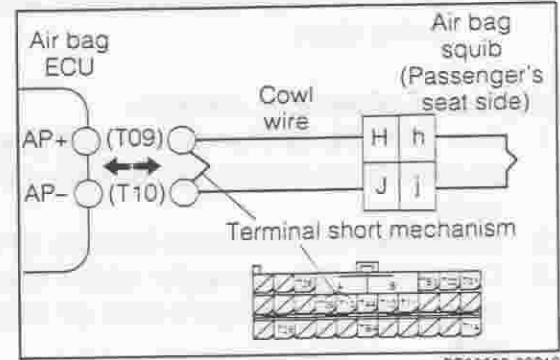
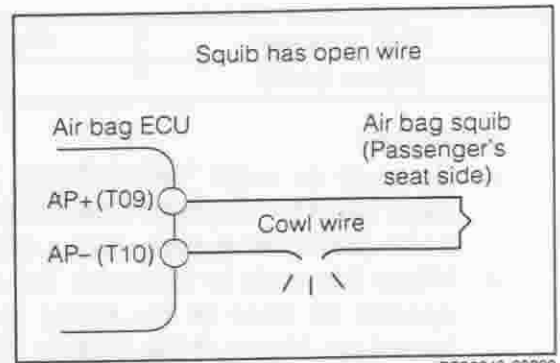
7. Connect the battery negative (-) cable.

8. Turn ON the ignition switch and take a reading of the diagnosis code.

**CAUTION:**

- If the code 53 (short circuit of squib circuit) is indicated, it proves indirectly that there is open wire in the squib of the air bag unit. Therefore, replace the air bag assembly.

9. After the inspection and installation, cancel the diagnosis code and confirm that the code 53 and 54 are not outputted any more.



DS-21 on screen	Check lamp indication
DTC No. B0105	Code No. 53

**WARNING:**

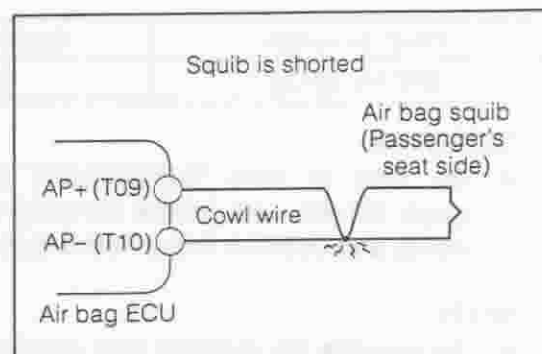
- Be sure to read "IMPORTANT SAFETY NOTICE", page BE-45 - 46, before handling the air bag components and observe every notice during work.

**NOTE:**

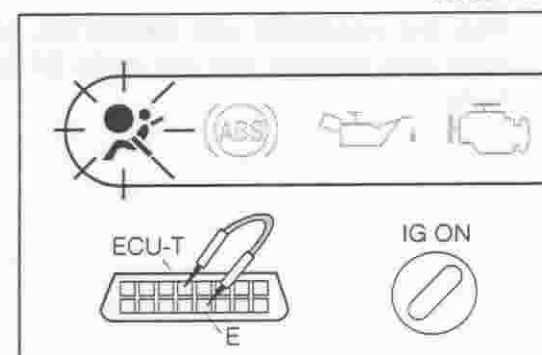
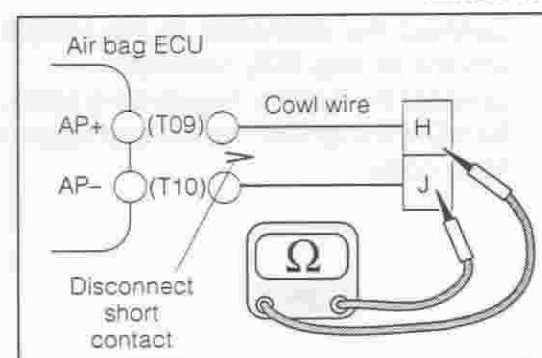
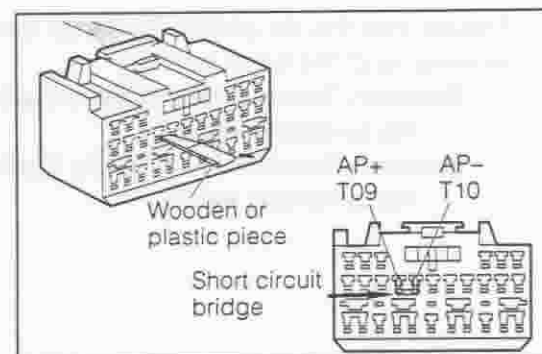
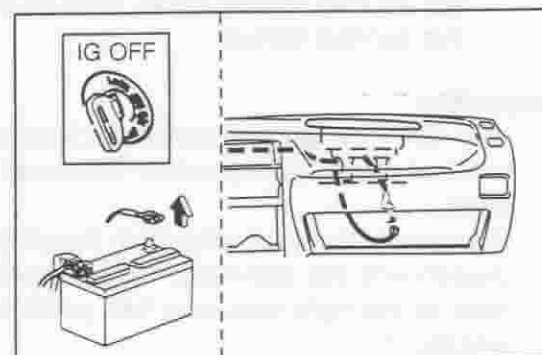
- As regards the removal and installation procedures for the air bag related parts, refer to page BE-51 - 59 of this service manual.

**Inspection**

1. Turn OFF the ignition switch and detach the negative (-) terminal of the battery cable. Then wait for at least 90 seconds.
2. Disconnect the connector which connects the wire harness of the passenger's side air bag unit and the cowl wire.
3. Remove the computer cover. Disconnect the connector at the vehicle wire harness side from the air bag ECU.
4. Using a wooden or plastic piece, raise the short circuit bridge at the sections T09 (AP+) and T10 (AP-) of the connector at the vehicle wire harness side which was removed from the ECU. In this way, disconnect the shorted contact points.
5. Connect the ohmmeter to the cowl wire terminal. Check to see if any short circuit exists from the air bag ECU to the passenger's side air bag unit via the wire harness.  
Between Terminal H and J: No continuity exists.
6. After the inspection and installation, cancel the diagnosis code and confirm that the code 53 is not outputted any more.



JBE00254-00214





DS-21 on screen	Check lamp indication
DTC No. B0132	Code No. 61

**WARNING:**

- Be sure to read "IMPORTANT SAFETY NOTICE", page BE-45 - 46, before handling the air bag components and observe every notice during work.

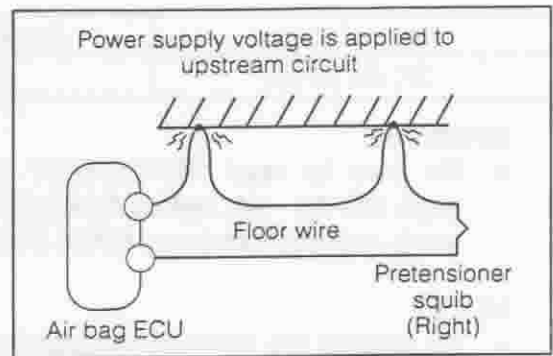
**NOTE:**

- As regards the removal and installation procedures for the air bag related parts, refer to page BE-51 - 59 of this service manual.

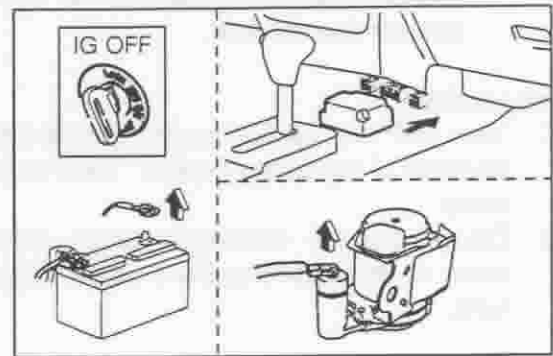
**Inspection**

1. Turn OFF the ignition switch and detach the negative (-) terminal of the battery cable. Then wait for at least 90 seconds.
2. Disconnect the connector from the air bag ECU.
3. Disconnect the connector which connects the wire harness of the right side seat belt pretensioner and the floor wire No. 1.
4. Ensure that the no continuity exists between the floor wire terminal and the body earth.
  - Between Terminal M and Body Earth:  
No continuity exists.
  - Between Terminal N and Body Earth:  
No continuity exists.
5. Connect the connector at the vehicle wire harness side and the air bag ECU connector.
6. Connect the battery negative (-) cable.
7. Turn ON the ignition switch and take a reading of the diagnosis code.

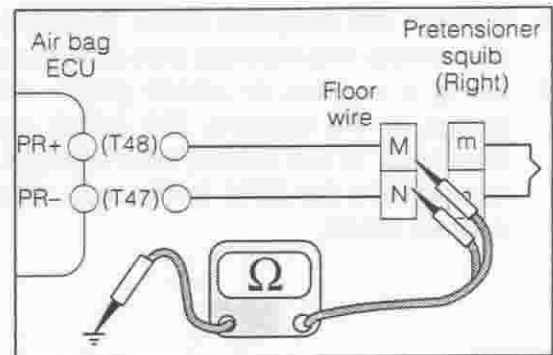
8. After the inspection and installation, cancel the diagnosis code and confirm that the code 61 is not outputted any more.



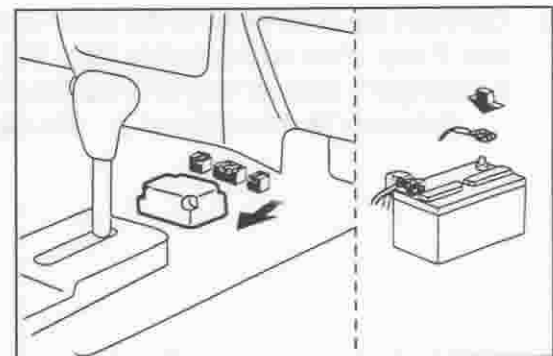
JBE00259-00219



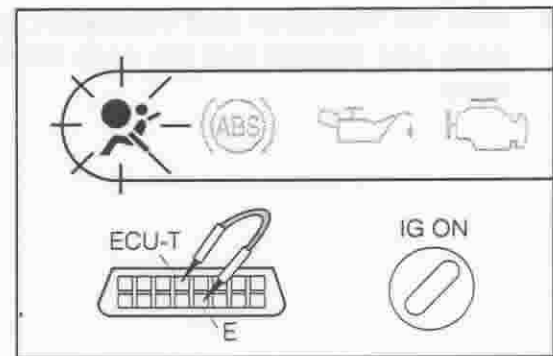
JBE00260-00220



JBE00261-00221



JBE00262-00222



JBE00263-00223

DS-21 on screen	Check lamp indication
DTC No. B0133	Code No. 62

**WARNING:**

- Be sure to read "IMPORTANT SAFETY NOTICE", page BE-45 - 46, before handling the air bag components and observe every notice during work.
- When this code is indicated, the seat belt pretensioner may operate as soon as the safing sensor at the ECU is turned on. Hence, if this code is indicated, immediately turn off the ignition key switch and proceed to the following steps.

**Explosion-preventive measure**

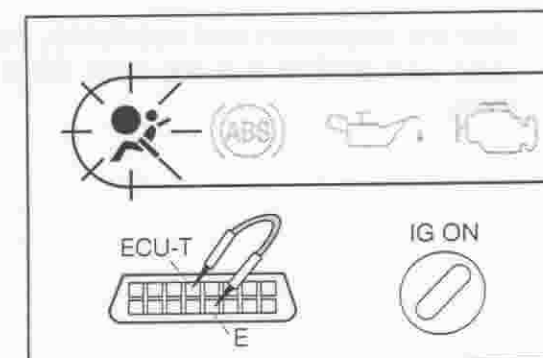
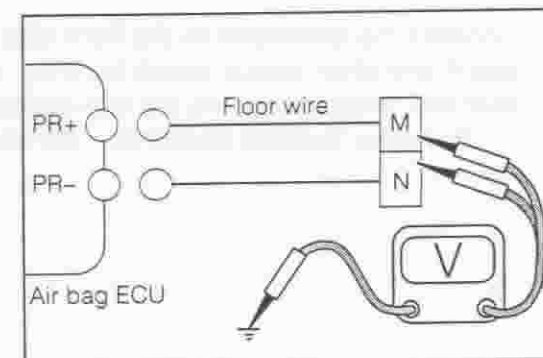
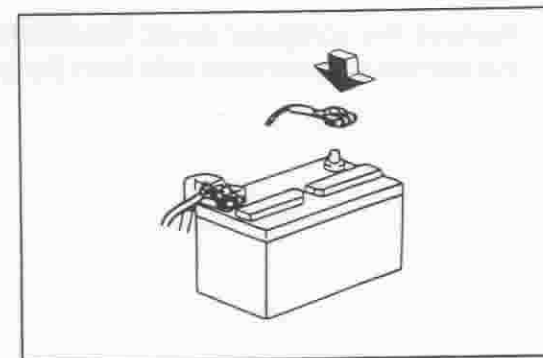
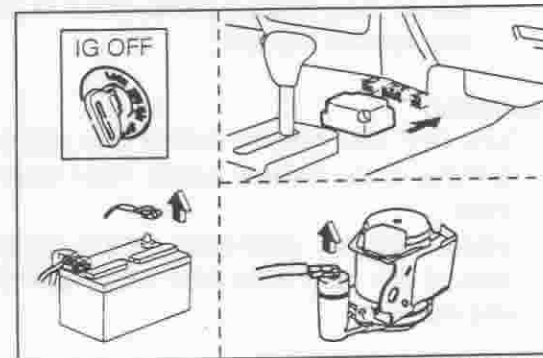
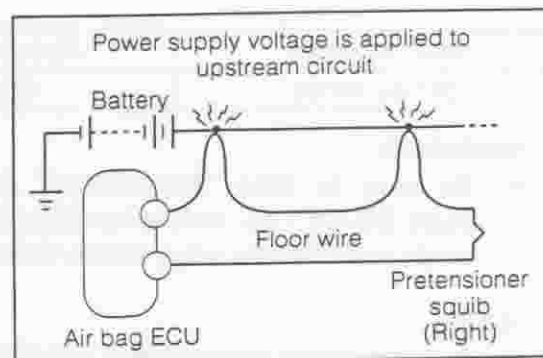
1. Turn OFF the ignition switch and detach the negative (-) terminal of the battery cable. Then wait for at least 90 seconds.
2. Disconnect the connector from the air bag ECU.
3. Disconnect the connector which connects the wire harness of the right side seat belt pretensioner and the floor wire No. 1.

**Inspection**

1. Connect the battery negative (-) cable.

2. Turn ON the ignition switch. Ensure that no voltage exists between the terminal and body earth.
  - Between Terminal M and Body Earth:  
No voltage exists.
  - Between Terminal N and Body Earth:  
No voltage exists.

3. After the inspection and installation, cancel the diagnosis code and confirm that the code 62 is not outputted any more.



DS-21 on screen	Check lamp indication
DTC No. B0130	Code No. 63

**WARNING:**

- Be sure to read "IMPORTANT SAFETY NOTICE", page BE-45 - 46, before handling the air bag components and observe every notice during work.

**NOTE:**

- As regards the removal and installation procedures for the air bag related parts, refer to page BE-51 - 59 of this service manual.

**Inspection**

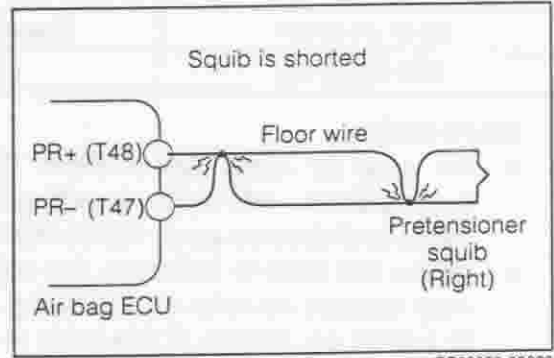
1. Turn OFF the ignition switch and detach the negative (-) terminal of the battery cable. Then wait for at least 90 seconds.
2. Disconnect the connector which connects the wire harness of the right side seat belt pretensioner and the floor wire No. 1.
3. Remove the computer cover. Disconnect the connector at the vehicle wire harness side from the air bag ECU.



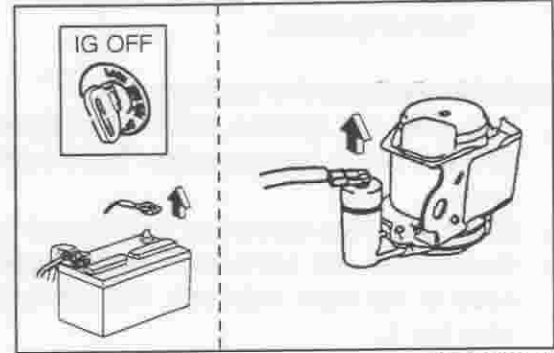
4. Connect the ohmmeter to the floor wire terminal. Check to see if any short circuit exists from the air bag ECU to the seat belt pretensioner via the wire harness.  
Between Terminal M and N: No continuity exists.



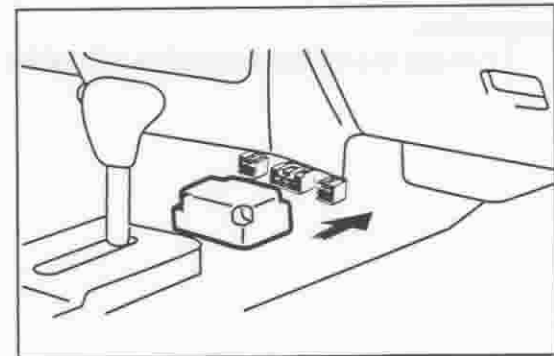
5. After the inspection and installation, cancel the diagnosis code and confirm that the code 63 is not outputted any more.



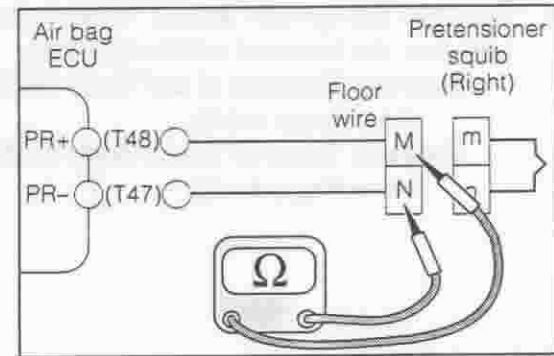
JBE00269-00229



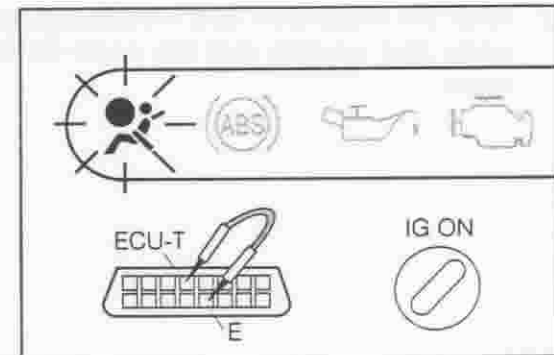
JBE00270-00230



JBE00271-00231



JBE00272-00232



JBE00273-00233

DS-21 on screen	Check lamp indication
DTC No. B0131	Code No. 64

**WARNING:**

- Be sure to read "IMPORTANT SAFETY NOTICE", page BE-45 - 46, before handling the air bag components and observe every notice during work.

**NOTE:**

- As regards the removal and installation procedures for the air bag related parts, refer to page BE-51 - 59 of this service manual.

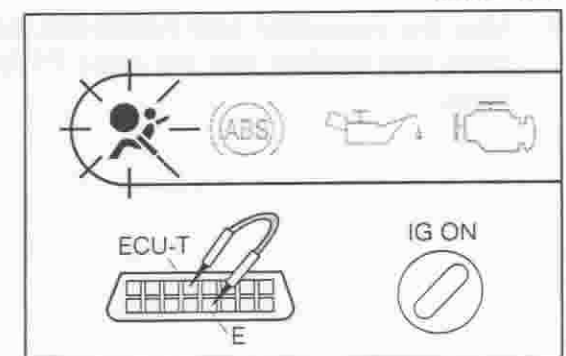
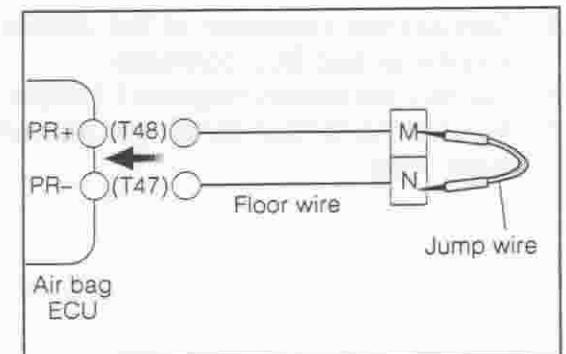
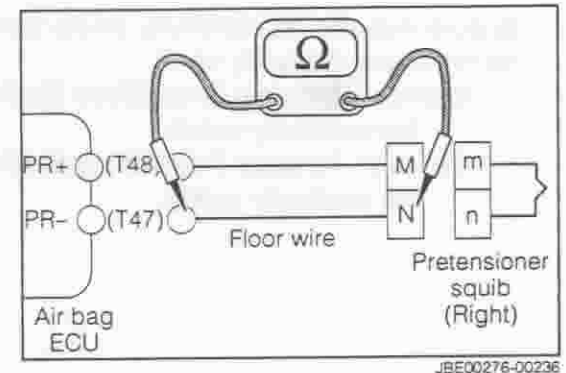
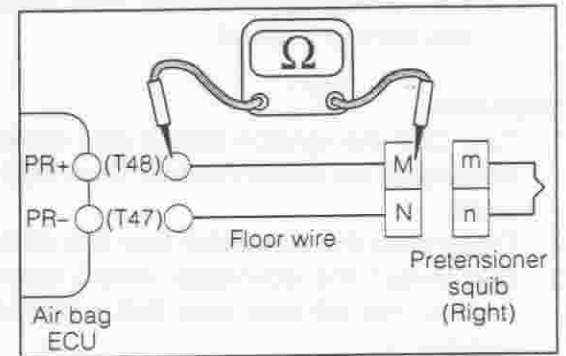
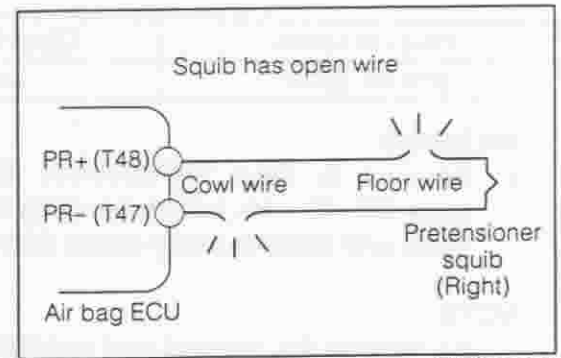
**Inspection**

- Turn OFF the ignition switch and detach the negative (-) terminal of the battery cable. Then wait for at least 90 seconds.
- Disconnect the connector from the air bag ECU.
- Disconnect the connector which connects the wire harness of the right side seat belt pretensioner and the floor wire No. 1.
- Ensure that the continuity exists between the respective terminals.
  - Between Terminal T48 (PR+) and M (+):  
Continuity exists.
  - Between Terminal T47 (PR-) and N (-):  
Continuity exists.
- If there is no open wire, connect both ends of the pretensioner terminals at the floor wire side with a jump wire to short them.
- Connect the connector at the cowl wire harness side and the air bag ECU connector that were disconnected at Step 2.
- Connect the battery negative (-) cable.

- Turn ON the ignition switch and take a reading of the diagnosis code.

**CAUTION:**

- If the code 63 (short circuit of squib circuit) is indicated, it proves indirectly that there is open wire in the squib of the seat belt pretensioner. Therefore, replace the seat belt assembly.
- After the inspection and installation, cancel the diagnosis code and confirm that the code 64 and 63 are not outputted any more.



DS-21 on screen	Check lamp indication
DTC No. B0137	Code No. 71

**WARNING:**

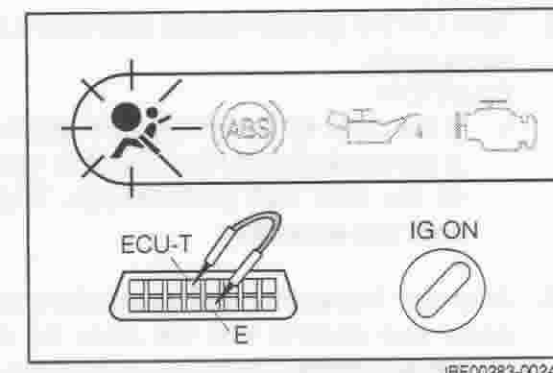
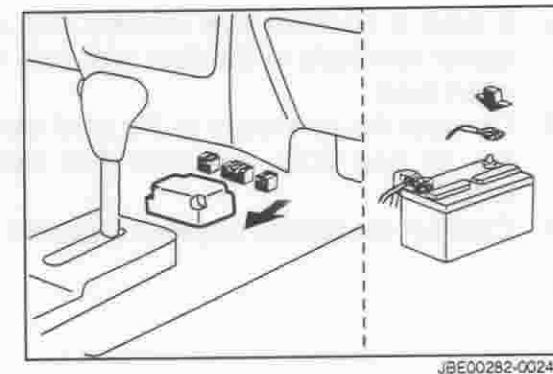
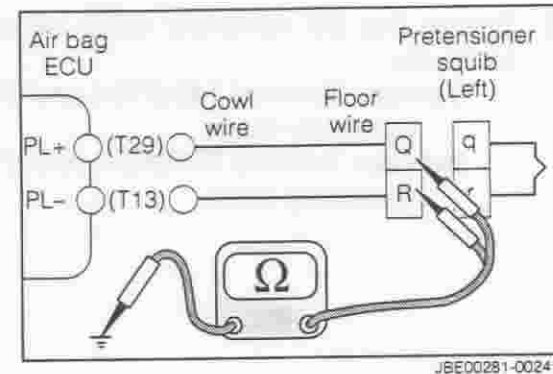
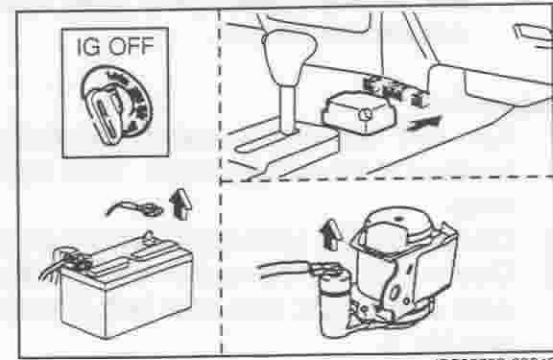
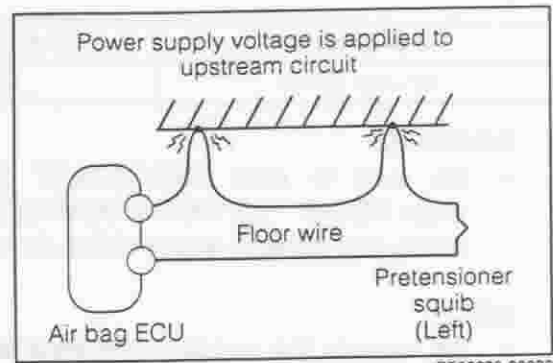
- Be sure to read "IMPORTANT SAFETY NOTICE", page BE-45 - 46, before handling the air bag components and observe every notice during work.

**NOTE:**

- As regards the removal and installation procedures for the air bag related parts, refer to page BE-51 - 59 of this service manual.

**Inspection**

1. Turn OFF the ignition switch and detach the negative (-) terminal of the battery cable. Then wait for at least 90 seconds.
2. Disconnect the connector from the air bag ECU.
3. Disconnect the connector which connects the wire harness of the left side seat belt pretensioner and the floor wire No. 1.
4. Ensure that the no continuity exists between the floor wire terminal and the body earth.
  - Between Terminal Q and Body Earth:  
No continuity exists.
  - Between Terminal R and Body Earth:  
No continuity exists.
5. Connect the connector at the vehicle wire harness side and the air bag ECU connector.
6. Connect the battery negative (-) cable.
7. Turn ON the ignition switch and take a reading of the diagnosis code.
8. After the inspection and installation, cancel the diagnosis code and confirm that the code 71 is not outputted any more.



DS-21 on screen	Check lamp indication
DTC No. B0138	Code No. 72

**WARNING:**

- Be sure to read "IMPORTANT SAFETY NOTICE", page BE-45 - 46, before handling the air bag components and observe every notice during work.
- When this code is indicated, the seat belt pretensioner may operate as soon as the safing sensor at the ECU is turned on. Hence, if this code is indicated, immediately turn off the ignition key switch and proceed to the following steps.

**Explosion-preventive measure**

1. Turn OFF the ignition switch and detach the negative (-) terminal of the battery cable. Then wait for at least 90 seconds.
2. Disconnect the connector from the air bag ECU.
3. Disconnect the connector which connects the wire harness of the left side seat belt pretensioner and the floor wire No. 1.

**Inspection**

1. Connect the battery negative (-) cable.

2. Turn ON the ignition switch. Ensure that no voltage exists between the terminal and body earth.

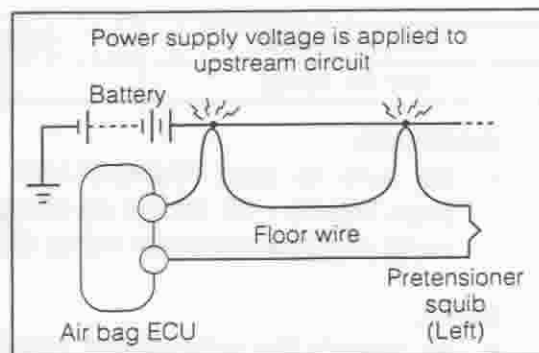
Between Terminal Q and Body Earth:

No voltage exists.

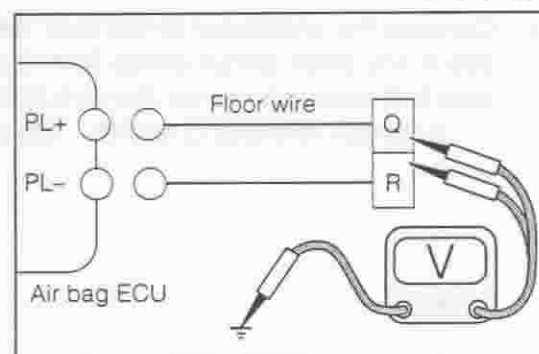
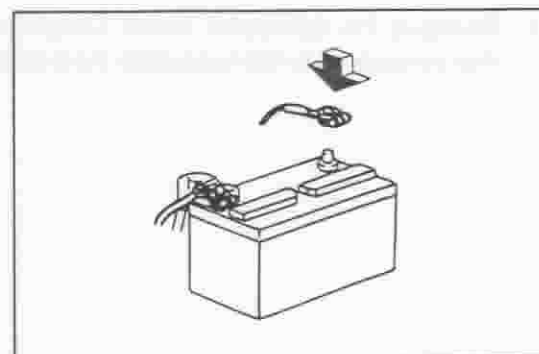
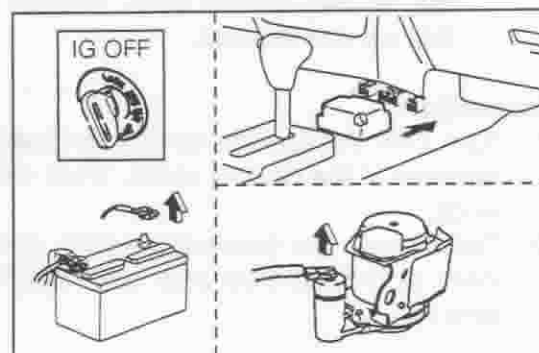
Between Terminal R and Body Earth:

No voltage exists.

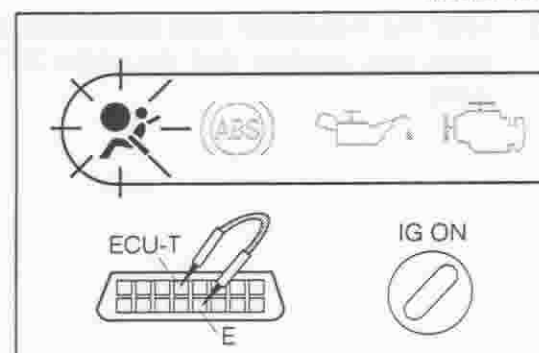
3. After the inspection and installation, cancel the diagnosis code and confirm that the code 72 is not outputted any more.



JBE00284-00244



JBE00287-00247



DS-21 on screen	Check lamp indication
DTC No. B0135	Code No. 73

**WARNING:**

- Be sure to read "IMPORTANT SAFETY NOTICE", page BE-45 - 46, before handling the air bag components and observe every notice during work.

**NOTE:**

- As regards the removal and installation procedures for the air bag related parts, refer to page BE-51 - 59 of this service manual.

**Inspection**

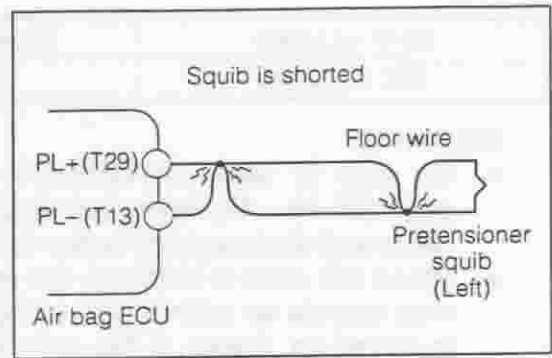
1. Turn OFF the ignition switch and detach the negative (-) terminal of the battery cable. Then wait for at least 90 seconds.
2. Disconnect the connector which connects the wire harness of the left side seat belt pretensioner and the floor wire No. 1.
3. Remove the computer cover. Disconnect the connector at the vehicle wire harness side from the air bag ECU.



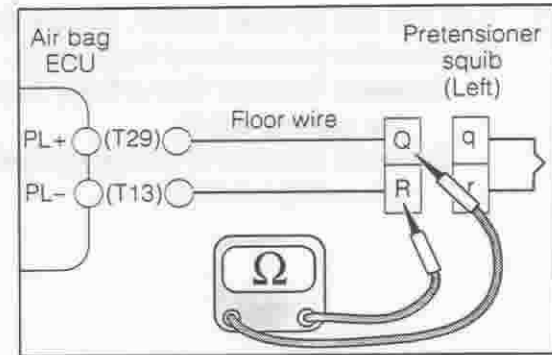
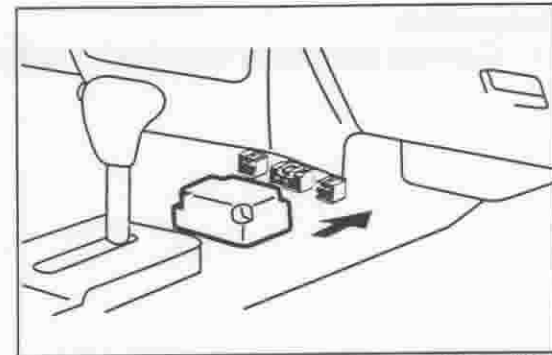
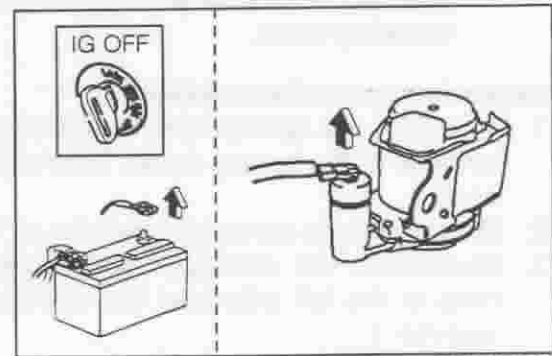
4. Connect the ohmmeter to the floor wire terminal. Check to see if any short circuit exists from the air bag ECU to the seat belt pretensioner via the wire harness.  
Between Terminal Q and R: No continuity exists.



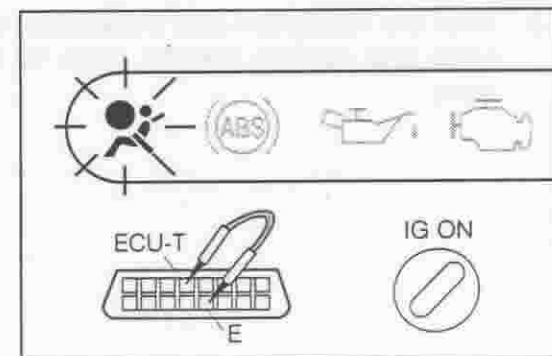
5. After the inspection and installation, cancel the diagnosis code and confirm that the code 73 is not outputted any more.



JBE00289-00249



JBE00292-00252



DS-21 on screen	Check lamp indication
DTC No. B0136	Code No. 74

**WARNING:**

- Be sure to read "IMPORTANT SAFETY NOTICE", page BE-45 - 46, before handling the air bag components and observe every notice during work.

**NOTE:**

- As regards the removal and installation procedures for the air bag related parts, refer to page BE-51 - 59 of this service manual.

**Inspection**

1. Turn OFF the ignition switch and detach the negative (-) terminal of the battery cable. Then wait for at least 90 seconds.
2. Disconnect the connector from the air bag ECU.
3. Disconnect the connector which connects the wire harness of the left side seat belt pretensioner and the floor wire No. 1.

4. Ensure that the continuity exists between the respective terminals.

Between Terminal T29 (PL+) and Q (+):

Continuity exists.

Between Terminal T13 (PL-) and R (-):

Continuity exists.

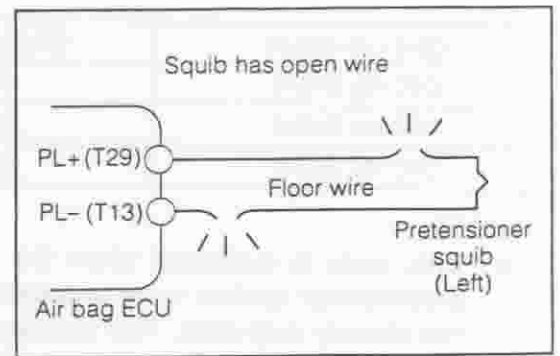
5. If there is no open wire, connect both ends of the pretensioner terminals at the floor wire side with a jump wire to short them.
6. Connect the connector at the cowl wire harness side and the air bag ECU connector that were disconnected at Step 2.
7. Connect the battery negative (-) cable.

8. Turn ON the ignition switch and take a reading of the diagnosis code.

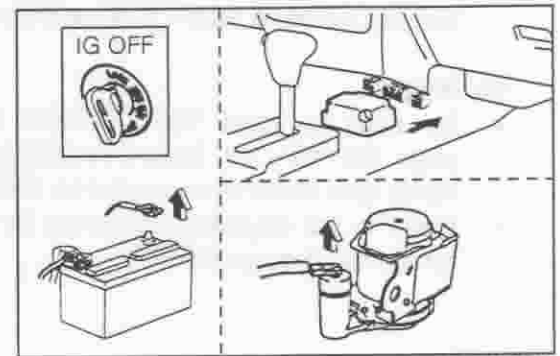
**CAUTION:**

- If the code 73 (short circuit of squib circuit) is indicated, it proves indirectly that there is open wire in the squib of the seat belt pretensioner. Therefore, replace the seat belt assembly.

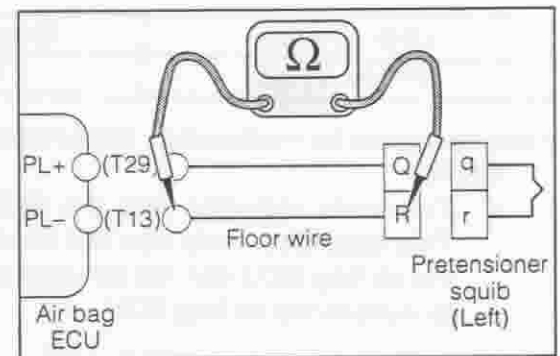
9. After the inspection and installation, cancel the diagnosis code and confirm that the code 74 and 73 are not outputted any more.



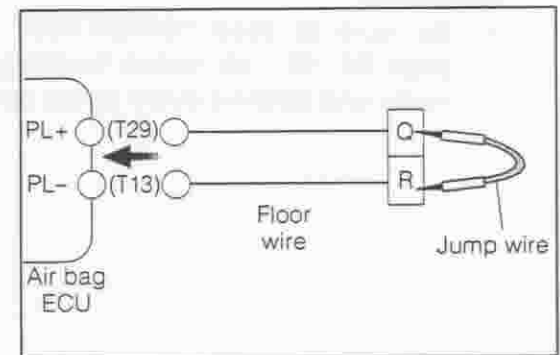
JBE00294-00254



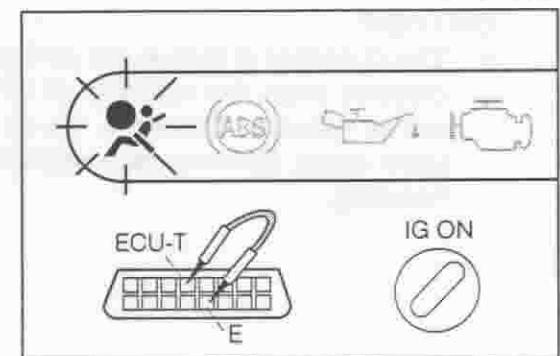
JBE00295-00255



JBE00296-00256



JBE00297-00257



JBE00298-00258



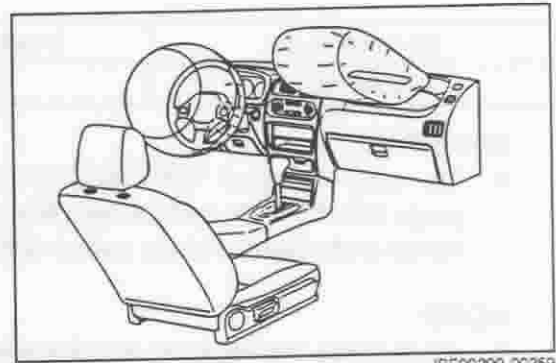
DS-21 on screen	Check lamp indication
DTC No. B1310	Code No. 91
DTC No. B1311	Code No. 92
DTC No. B1312	Code No. 93

**NOTE:**

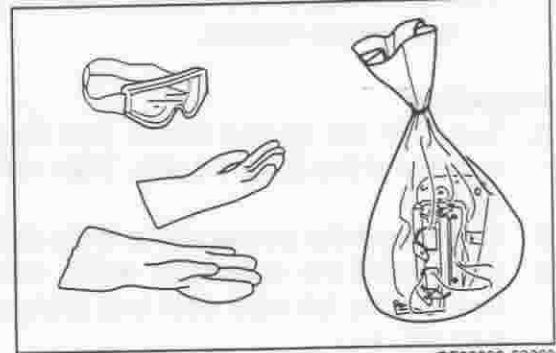
- This code is outputted when the airbag system and pretensioner system were operated. Then fuel cut signal already outputted. This diagnosis code can not be canceled and the airbag, pretensioner and airbag ECU can not be used again. It is necessary to replace them.

**WARNING:**

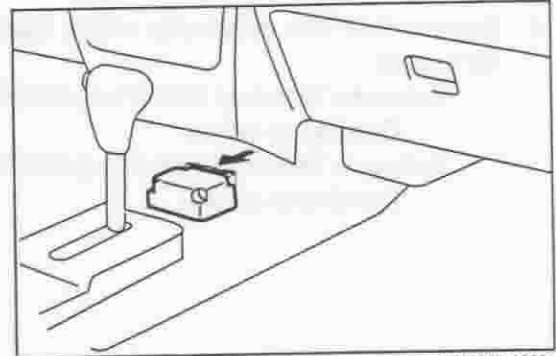
- Be sure to read "IMPORTANT SAFETY NOTICE", page BE-45 - 46, before handling the airbag components and observe every notice during work.
- Refer to the disposal procedure for the airbag and pretensioner at page BE-87.



JBE00299-00259



JBE00300-00260



JBE00301-00261

DS-21 on screen	Check lamp indication
DTC No. B1100	Code No. 31

Possible cause for malfunction: Malfunction of ECU

**NOTE:**

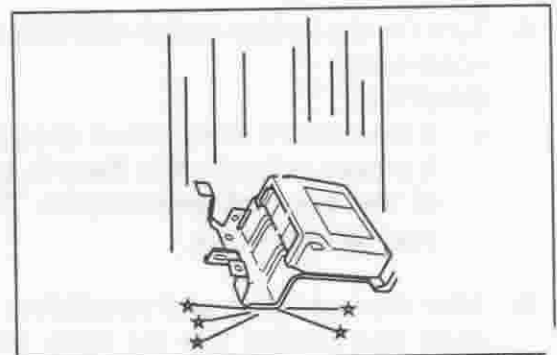
- This code indicates that the ECU is malfunctioning. This diagnosis code can not be canceled. Therefore, the air bag ECU can not be used again. It is necessary to replace the air bag ECU.

**WARNING:**

- Be sure to read "IMPORTANT SAFETY NOTICE", page BE-45 - 46, before handling the air bag components and observe every notice during work.

**CAUTION:**

- The G sensor is built in the air bag ECU. If the ECU is dropped once, the reliability of CPU and G sensor can not be assured. Therefore, the air bag ECU can not be used again. Extreme care must be exercised as to its handling.



JBE00302-00262

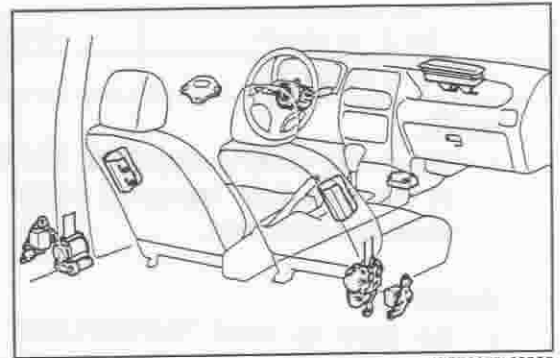
DS-21 on screen	Check lamp indication
DTC No. B1304	Code No. 25

**NOTE:**

- When this code is outputted, it indicates that a squib having a valve greater than the specified value is connected. Hence, confirm the squid valve of the airbag circuit according to the vehicle specifications.

**WARNING:**

- Be sure to read "IMPORTANT SAFETY NOTICE", page BE-45 - 46, before handling the airbag components and observe every notice during work.

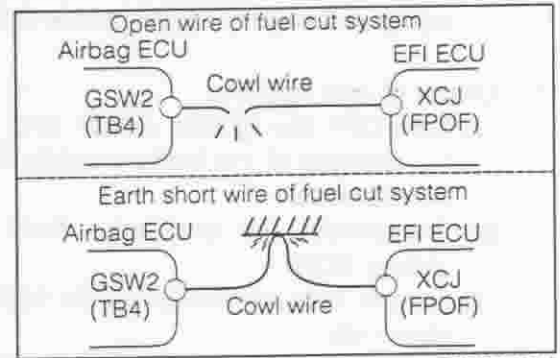


JBE00356-00309

DS-21 on screen	Check lamp indication
DTC No. B1305	Code No. 26

**NOTE:**

- When this code is outputted, it indicates that open wire in the fuel cut signal output line or GND short has occurred.



JBE00357-00310

**WARNING:**

- Be sure to read "IMPORTANT SAFETY NOTICE", page BE-45 - 46, before handling the airbag components and observe every notice during work.

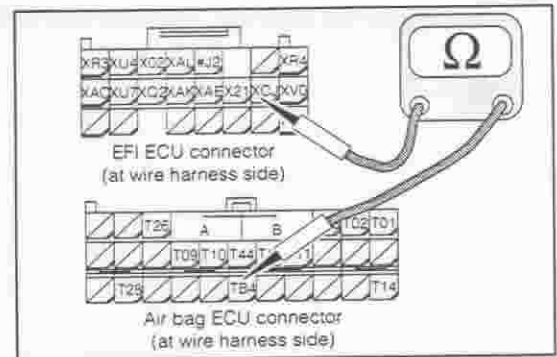
10. Check of wire harness

- (1) Turn OFF the ignition switch and detach the negative (-) terminal of the battery cable. Then wait for at least 90 seconds.
- (2) Disconnect the connector from the EFI ECU and airbag ECU.
- (3) Ensure that continuity exists between the respective terminals.  
Between Terminal GSW2 (TB4) and XCJ (FPOF):  
Continuity exists.

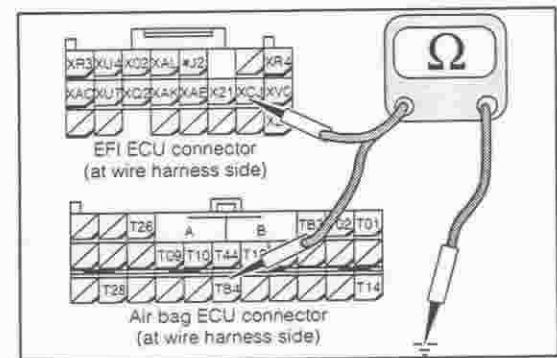
If it might be open, replace the harness.

- (4) Ensure that no continuity exists between the cowl wire terminal and the body earth.  
Between Terminal XCJ (FPOF) and Body Earth:  
No Continuity exists.  
Between Terminal GSW2 (TB4) and Body Earth:  
No Continuity exists.

If it might be shorted, replace the harness.



JBE00358-00311



JBE00359-00312

DS-21 on screen	Check lamp indication
DTC No. B1306	Code No. 26

**NOTE:**

- When this code is outputted, it indicates that open wire in the door lock releasing signal output line or GND short has occurred.

**WARNING:**

- Be sure to read "IMPORTANT SAFETY NOTICE", page BE-45 - 46, before handling the airbag components and observe every notice during work.

11. Check of wire harness

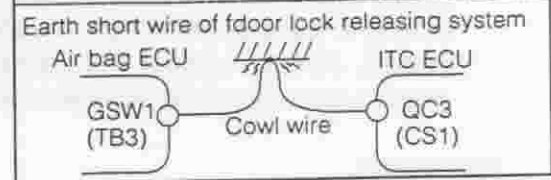
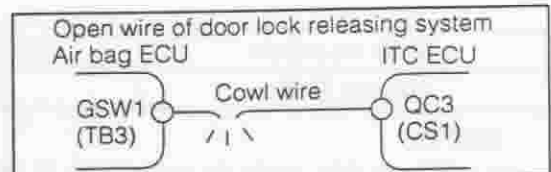
- Turn OFF the ignition switch and detach the negative (-) terminal of the battery cable. Then wait for at least 90 seconds.
- Disconnect the connector from the ITC ECU and airbag ECU.
- Ensure that continuity exists between the respective terminals.

Between Terminal GSW1 (TB3) and QC3 (CS1):  
Continuity exists.

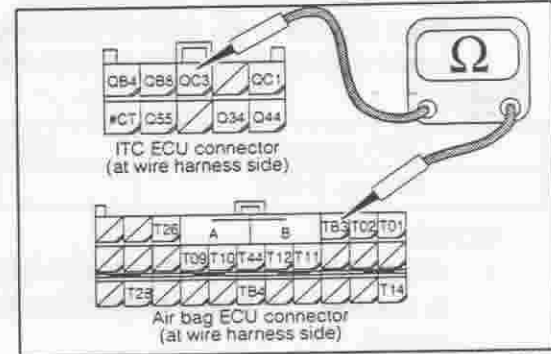
If it might be open, replace the wire harness.

- Ensure that no continuity exists between the cowl wire terminal and the body earth.  
Between Terminal GSW1 (TB3) and Body Earth:  
No Continuity exists.  
Between Terminal QC3 (CS1) and Body Earth:  
No Continuity exists.

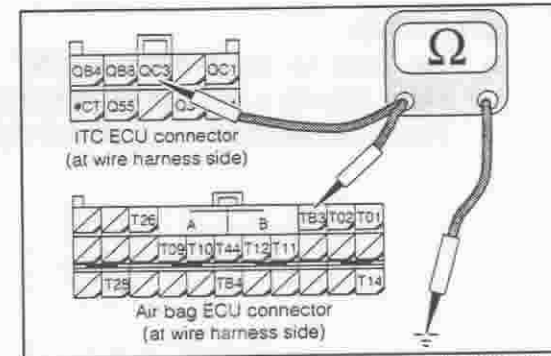
If it might be shorted, replace the wire harness.



JBE00360-00313



JBE00361-00314



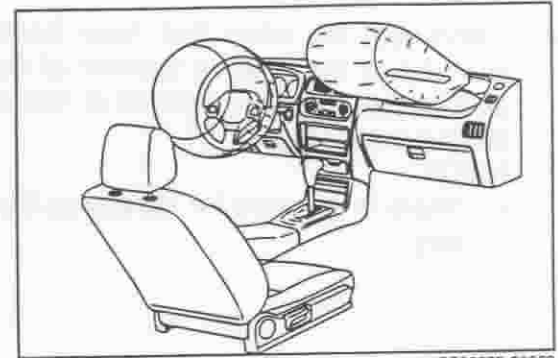
JBE00362-00315

## DISPOSAL PROCEDURE FOR AIR BAG AND PRETENSIONER

### DISPOSAL OF VEHICLES WITH AIR BAG SYSTEM

#### WARNING:

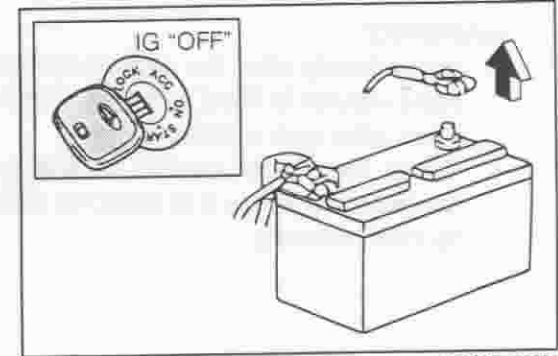
- When disposing the vehicles with the air bag system, deploy the air bag while it is mounted on the vehicle. As for the pretensioner, also operate the squib before disposing the vehicle.



JBE00303-00263

#### <Disposal procedure for air bag in driver's seat>

- Turn OFF the ignition switch and detach the negative (-) terminal of the battery cable. Then wait for at least 90 seconds.
- Prepare a 12-V battery for automotive use.
- Remove the computer cover. Disconnect the connector at the vehicle wire harness side from the air bag ECU connector.



JBE00304-00264

- Raise or remove the short circuit bridge at the terminals T11 (AD+) and T12 (AD-) of the disconnected connector, by using an appropriate tool.
- Prepare two wires for automotive use, each of which measures more than six meters long.

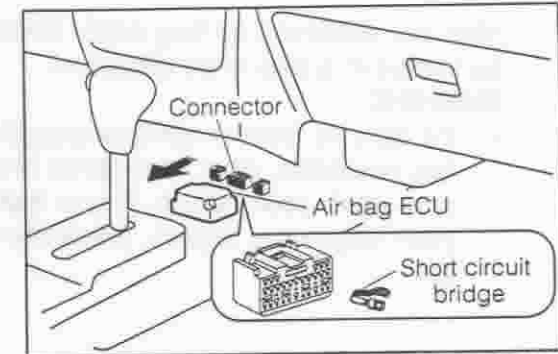
#### WARNING:

- Connect the end of one wire with the end of the other wire so that they may be shorted.

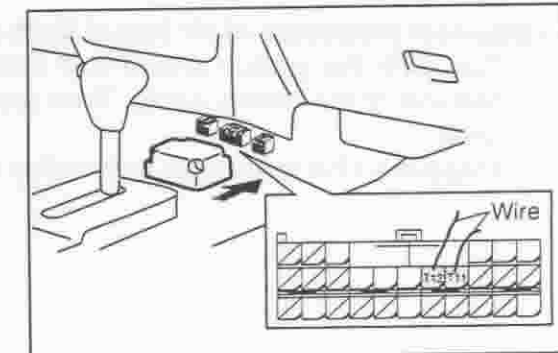
- Connect the wires prepared in Step (5) above to the connector terminals T11 (AD+) and T12 (AD-).

#### WARNING:

- This connecting operation to the connector should be performed by one person, not by a joint work of plural operators, so as to avoid mistakes.
- During this operation, there is the possibility that the air bag may be deployed accidentally. Therefore, be sure to give a warning to other persons so that they may get out of the vehicle or may be kept away from the area five meters from the vehicle.



JBE00305-00265



JBE00306-00266

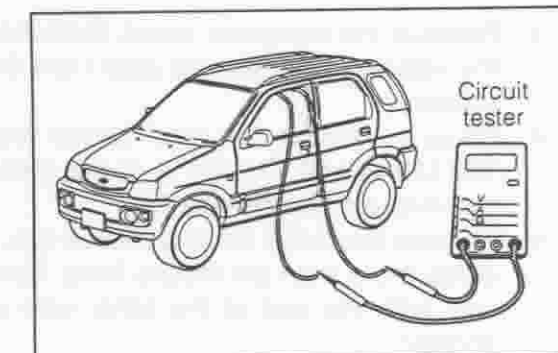
- The shorted section of the wires should be kept five meters or more away from the vehicle, as shown in the figure.

#### CAUTION:

- Be sure to give a warning to other persons about a big noise that will be emitted at the time of the air bag deployment.
- The window glass should be closed in advance.

#### NOTE:

- Concerning the description of open wire of the squib page BE-68, 74, 79 or 83, be sure to temporarily measure a resistance wires as right figure.

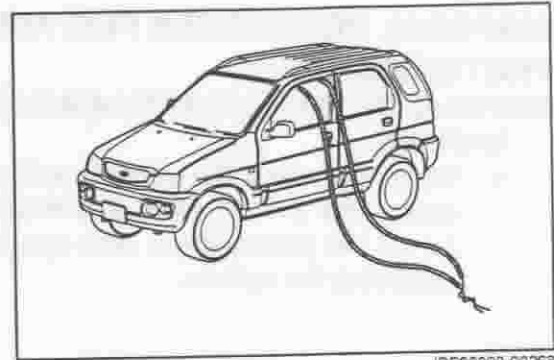


JBE00307-00267

8. Disconnect the wires that have been shorted. Connect one wire to the positive terminal of the battery; the other wire to the negative terminal of the battery, thereby deploying the air bag.

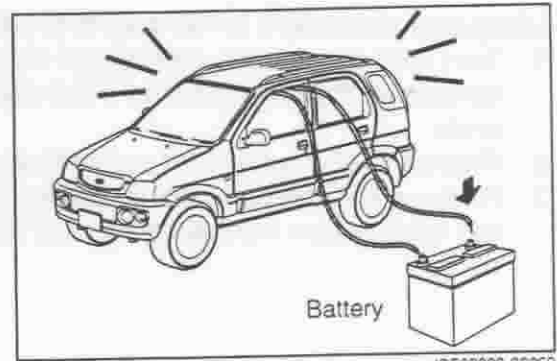
**NOTE:**

- There is no need for identifying the polarity of the battery.



**WARNING:**

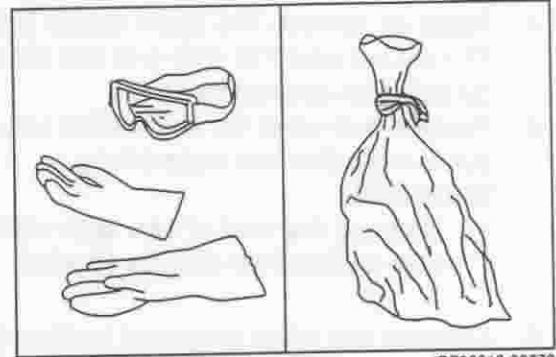
- Immediately after the deployment of the air bag, the vehicle interior is filled with gas. Therefore, start the operation after gas is diffused.
- Since the metal section of the gas generator is extremely hot, leave it at least for thirty minutes to allow it to cool naturally.



9. After the deployed air bag cools down completely, it shall be sealed in a bag to be disposed.

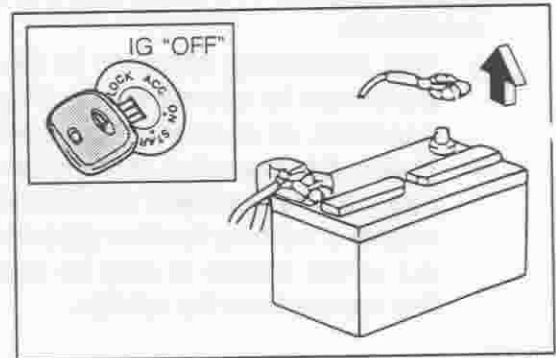
**WARNING:**

- Be sure to wear protective goggles and gloves during this operation. After completion of the operation, gargle and wash your hands. If you feel any abnormality in your respiratory organs, follow the instruction of a doctor.

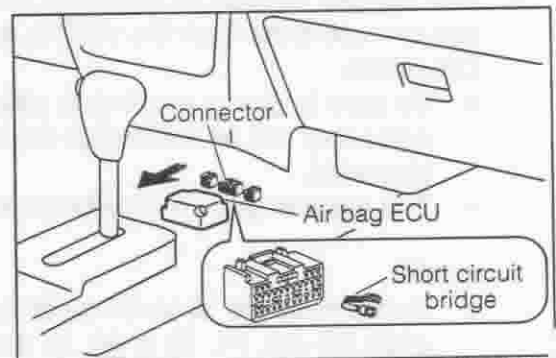


**<Disposal procedure of air bag at front passenger seat>**

1. Turn OFF the ignition switch and detach the negative (-) terminal of the battery cable. Then wait for at least 90 seconds.
2. Prepare a 12-V battery for automotive use.



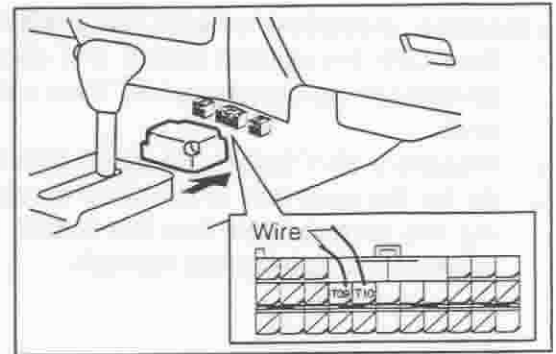
3. Remove the computer cover. Disconnect the connector at the vehicle wire harness side from the air bag ECU connector.
4. Raise or remove the short circuit bridge at the terminals T09 (AP+) and T10 (AP-) of the disconnected connector, by using an appropriate tool.
5. Prepare two wires for automotive use, each of which measures more than six meters long. Connect the end of one wire with the end of the other wire so that they may be shorted.



6. Connect the wires prepared in Step (5) above to the connector terminals T09 (AP+) and T10 (AP-).

**WARNING:**

- This connecting operation to the connector should be performed by one person, not by a joint work of plural operators, so as to avoid mistakes.
- During this operation, there is the possibility that the air bag may be deployed accidentally. Therefore, be sure to give a warning to other persons so that they may get out of the vehicle or may be kept away from the area five meters from the vehicle.

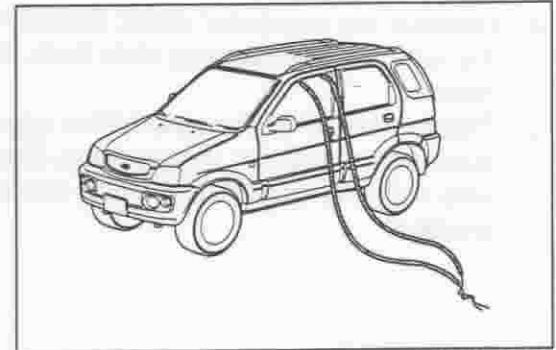


JBE00313-00273

7. The shorted section of the wires should be kept five meters or more away from the vehicle, as shown in the figure.

**CAUTION:**

- Be sure to give a warning to other persons about a big noise that will be emitted at the time of the air bag deployment.
- The window glass should be closed in advance.

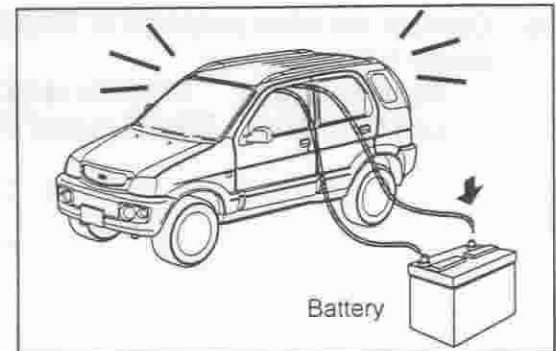


JBE00314-00274

8. Disconnect the wires that have been shorted. Connect one wire to the positive terminal of the battery; the other wire to the negative terminal of the battery, thereby deploying the air bag.

**NOTE:**

- There is no need for identifying the polarity of the battery.



JBE00315-00275

**WARNING:**

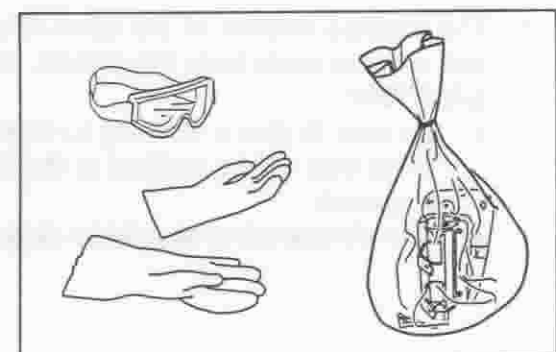
- Immediately after the deployment of the air bag, the vehicle interior is filled with gas. Therefore, start the operation after gas is diffused.
- Since the metal section of the gas generator is extremely hot, leave it at least for thirty minutes to allow it to cool naturally.

JBE00316-00000

9. After the deployed air bag cools down completely, it shall be sealed in a bag to be disposed.

**WARNING:**

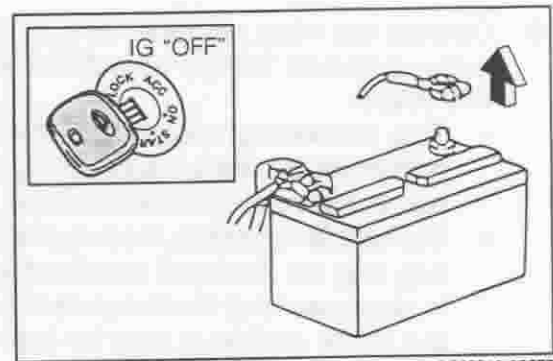
- Be sure to wear protective goggles and gloves during this operation. After completion of the operation, gargle and wash your hands. If you feel any abnormality in your respiratory organs, follow the instruction of a doctor.



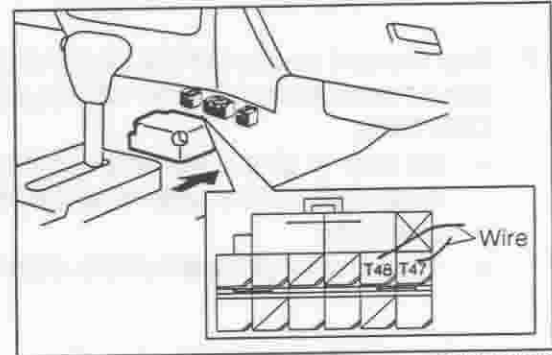
JBE00317-00276

**<Disposal procedure of seat belt pretensioner>**

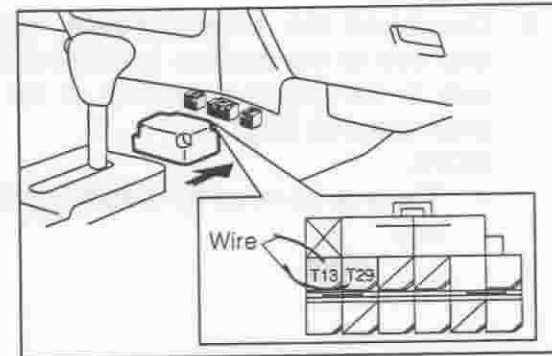
1. Turn OFF the ignition switch and detach the negative (-) terminal of the battery cable. Then wait for at least 90 seconds.
  2. Prepare a 12-V battery for automotive use.
  3. As for the seat belt in the driver's seat, fasten it by inserting the tongue plate into the buckle in the same way as the seat belt is fastened normally.
- 
4. Remove the computer cover. Disconnect the connector at the vehicle wire harness side from the air bag ECU connector.
  5. Prepare two wires for automotive use, each of which measures more than six meters long. Connect the end of one wire with the end of the other wire so that they may be shorted.
- 
6. Connect the wires prepared in Step (5) above to the connector terminals.  
 Right Seat Side: T48 (PR+) and T47 (PR-)  
 Left Seat Side: T29 (PL+) and T13 (PL-)



JBE00318-00277



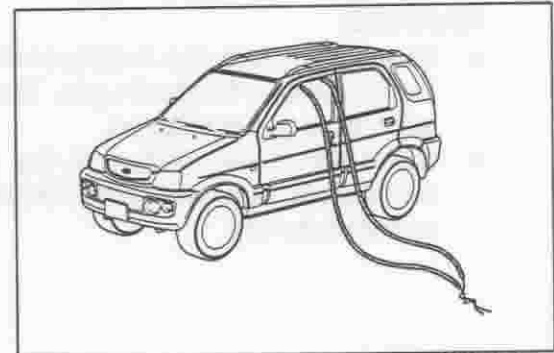
JBE00319-00278



JBE00320-00279

**WARNING:**

- This connecting operation to the connector should be performed by one person, not by a joint work of plural operators, so as to avoid mistakes.
- During this operation, there is the possibility that the air bag may be deployed accidentally. Therefore, be sure to give a warning to other persons so that they may get out of the vehicle or may be kept away from the area five meters from the vehicle.



JBE00321-00280

7. The shorted section of the wires should be kept five meters or more away from the vehicle, as shown in the figure.

**CAUTION:**

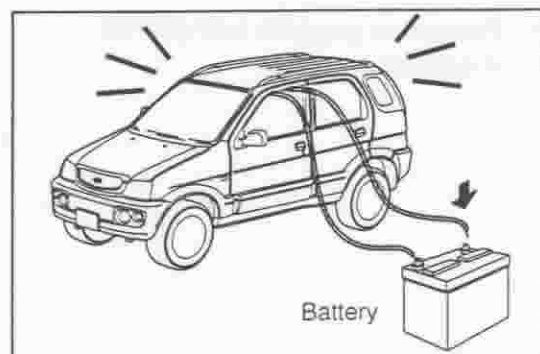
- Be sure to give a warning to other persons about a big noise that will be emitted at the time of the air bag deployment.
- The window glass should be closed in advance.

JBE00322-00000

8. Disconnect the wires that have been shorted. Connect one wire to the positive terminal of the battery; the other wire to the negative terminal of the battery, thereby deploying the air bag.

**NOTE:**

- There is no need for identifying the polarity of the battery.



JBE00323-00281

**WARNING:**

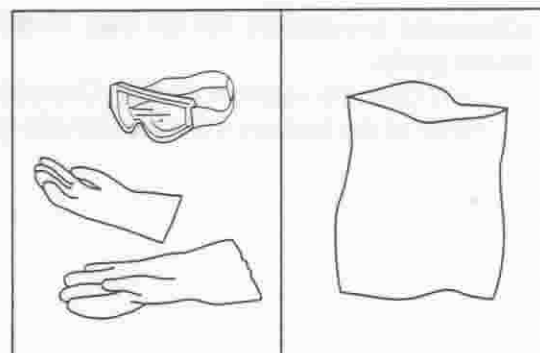
- Immediately after the deployment of the air bag, the vehicle interior is filled with gas. Therefore, start the operation after gas is diffused.
- Since the metal section of the gas generator is extremely hot, leave it at least for thirty minutes to allow it to cool naturally.

JBE00324-00000

9. After the operated seat belt pretensioner cools down completely, it shall be sealed in a bag to be disposed.

**WARNING:**

- Be sure to wear protective goggles and gloves during this operation. After completion of the operation, gargle and wash your hands. If you feel any abnormality in your respiratory organs, follow the instruction of a doctor.



JBE00325-00282

**DISPOSAL OF AIR BAG AND SEAT BELT PRETENSIONER****CAUTION:**

- It is the best to dispose the air bag and seat belt pretensioner when they are installed in the vehicle. However, if it is unavoidable to perform the pre-treatment for disposal for the unit itself, follow the procedure given below.

**NOTE:**

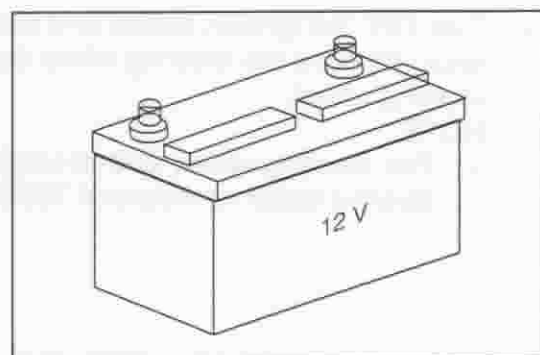
- Items to be prepared.

1. 12-V battery for automotive use
2. Two wires for automotive use, each measuring at least 10 meters long.

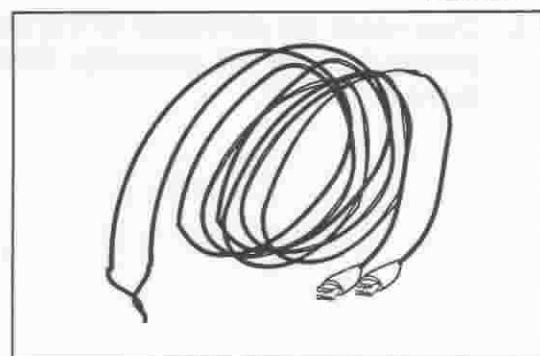
An alligator clip is connected to each end of these wires.

**WARNING:**

- Connect the end of one wire with the end of the other wire so that they may be shorted.
- No switch shall be installed to these wires so as to prevent accidents.



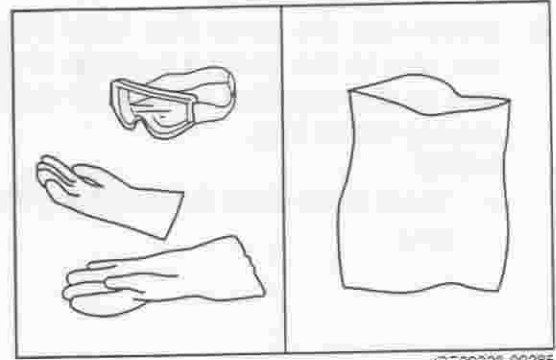
JBE00326-00283



JBE00327-00284

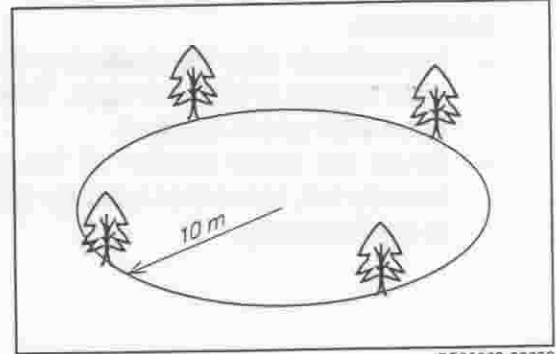


3. Protective goggles and gloves
4. A bag for disposal



JBEO0326-00285

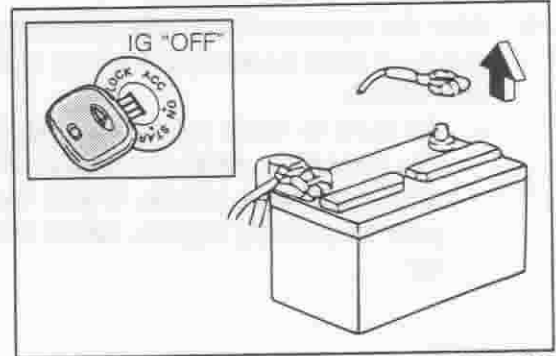
5. A spacious place whose radius is at least 10 meters
- CAUTION:**
- Do not perform the pre-treatment for disposal for the air bag and seat belt pretensioner on a windy or rainy day.



JBEO0329-00286

**<Disposal procedure for air bag in driver's seat (steering wheel pad)>**

1. Turn OFF the ignition switch. Disconnect the negative terminal of the battery from the vehicle cable terminal.

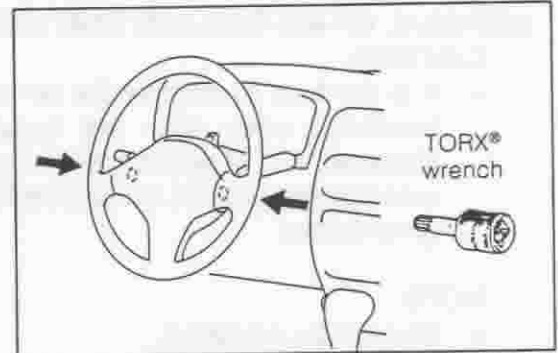


JBEO0330-00287

2. Turn OFF the ignition switch and wait for at least 90 seconds. Remove the steering wheel pad assembly from the steering wheel.

**NOTE:**

- The steering wheel pad assembly is installed to the steering wheel by means of TORX® bolts.



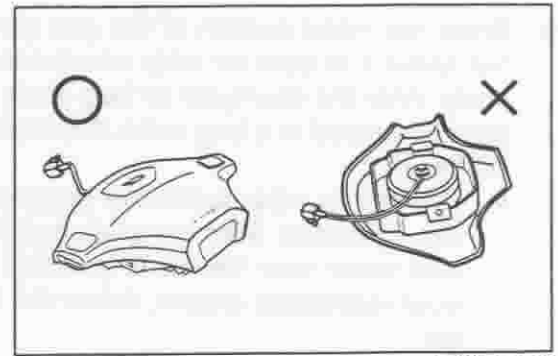
JBEO0331-00288

3. Disconnect the connector of the steering wheel pad assembly from the roll connector. Disconnect the connector for horn.

JBEO0332-00000

**WARNING:**

- When storing the steering pad assembly temporarily, be sure to place it with the pad surface facing upward on a flat place which is not exposed to direct sun rays. Also the storing place shall be away from water and rain.

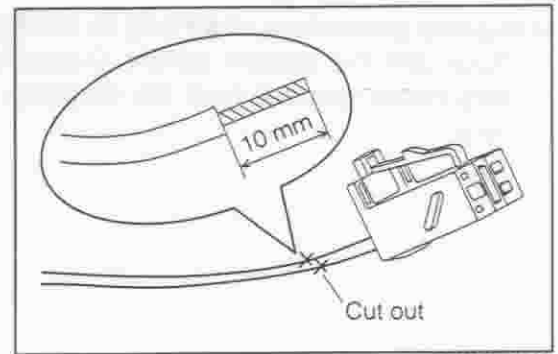


JBE00333-00289

4. Cut the wires at the squib connector of the steering pad assembly. Remove the covering of each end of the two cut wires about 10 mm.

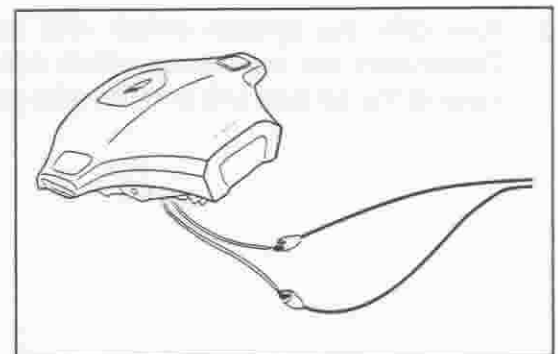
**WARNING:**

- Connect the sections each other whose wire coverings have been removed so that they may be shorted.



JBE00334-00290

5. Place the steering pad assembly at the center of the prepared place. At this time, the pad surface should face upward.
6. Disconnect the shorted squib wires of the steering pad assembly. Connect the alligator clip attached to the end of the prepared 10 m-long wire to each squib wire.

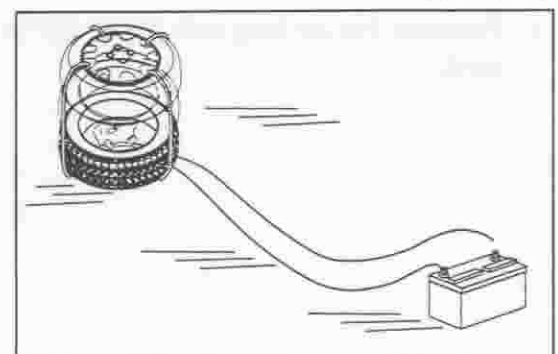


JBE00335-00291

7. Place the prepared 12-V battery for automotive use at a corner of the place. Bring nearby the shorted ends of the wires which are extended from the steering pad assembly.

**WARNING:**

- Be sure to give a warning to other persons about a big noise that will be emitted at the time of the air bag deployment.



JBE00336-00292

8. Disconnect the wire ends that have been shorted. Connect one wire to the positive terminal of the battery; the other wire to the negative terminal of the battery, thereby deploying the air bag.

**NOTE:**

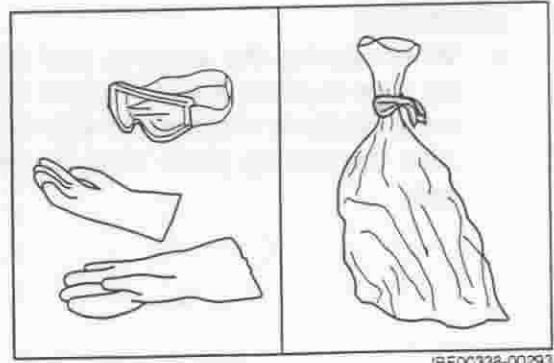
- There is no need for identifying the polarity of the battery.

JBE00337-00000

9. Since the metal section of the gas generator is extremely hot, leave it at least for thirty minutes to allow it to cool naturally. After the deployed air bag cools down completely, it shall be sealed in a bag to be disposed.

**WARNING:**

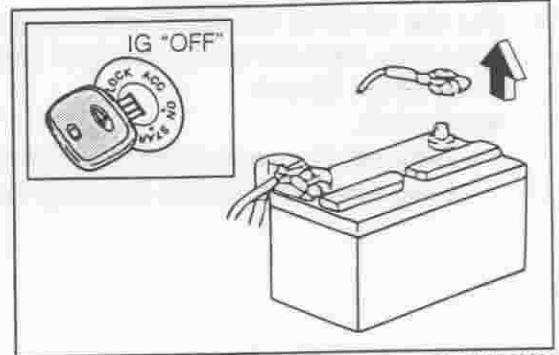
- Be sure to wear protective goggles and gloves during this operation. After completion of the operation, gargle and wash your hands. If you feel any abnormality in your respiratory organs, follow the instruction of a doctor.



JBE00338-00293

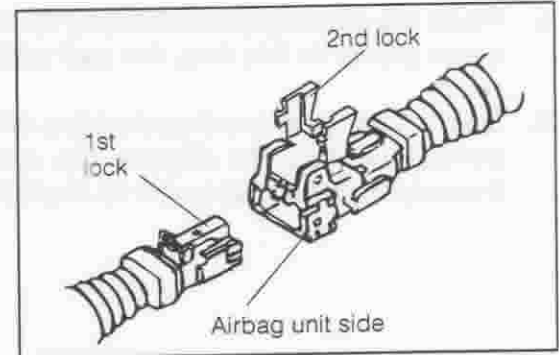
**<Disposal procedure of air bag in front passenger seat>**

1. Turn OFF the ignition switch. Disconnect the vehicle battery cable terminal from the negative terminal of the battery.



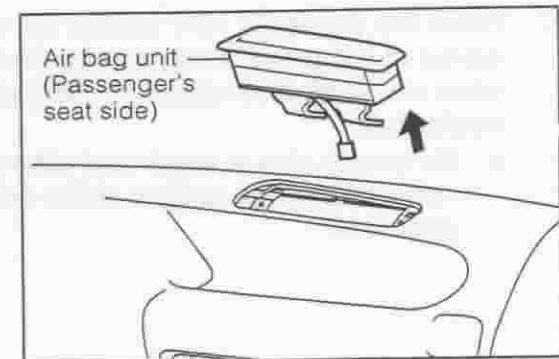
JBE00339-00294

2. Turn OFF the ignition switch and wait for 90 seconds. Disconnect the connector which connects the wire harness of the air bag unit and the wire cowl.



JBE00340-00295

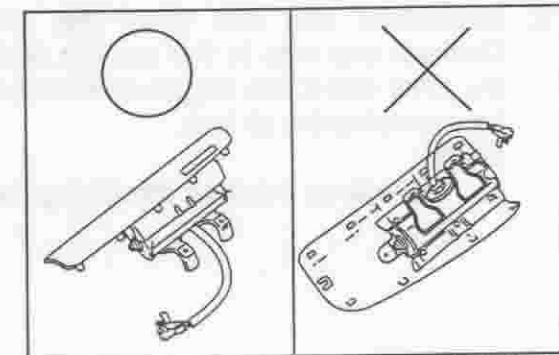
3. Remove the air bag unit assembly in the front passenger seat.



JBE00341-00296

**WARNING:**

- When storing the air bag unit assembly in the front passenger seat temporarily, be sure to place it with the pad surface facing upward on a flat place which is not exposed to direct sun rays. Also the storing place shall be away from water and rain.

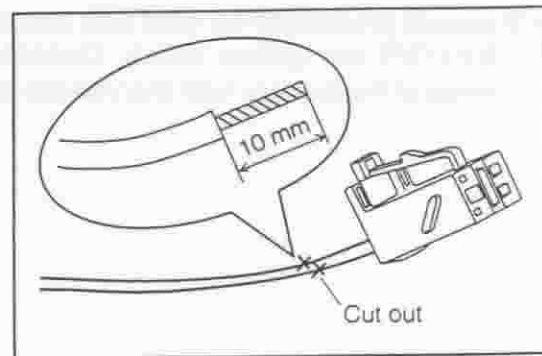


JBE00342-00297

4. Cut the wires at the squib connector of the air bag unit assembly. Remove the covering of the ends of the two cut wires about 10 mm.

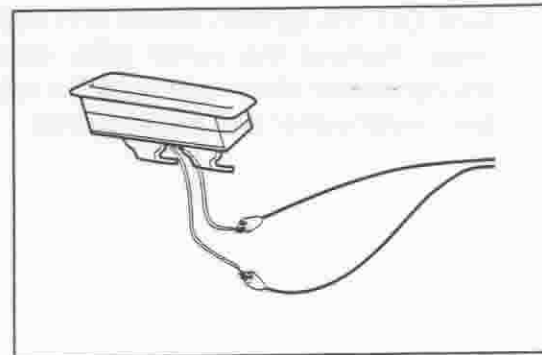
**WARNING:**

- Connect the sections each other whose wire coverings have been removed so that they may be shorted.



JBE00343-00298

5. Place the air bag unit assembly at the center of the prepared place. At this time, the pad surface should face upward.
6. Disconnect the shorted squib wires of the air bag unit assembly. Connect the alligator clip attached to the end of the prepared 10 m-long wire to each squib wire.

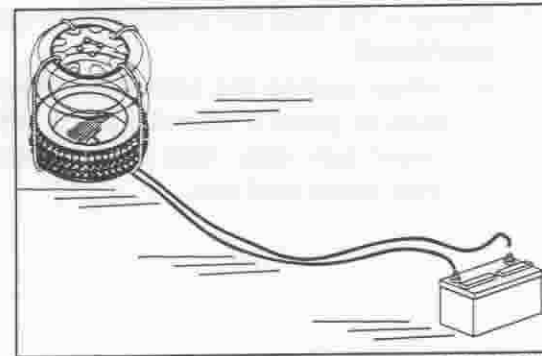


JBE00344-00299

7. Place the prepared 12-V battery for automotive use at a corner of the place. Bring nearby the shorted ends of the wires which are extended from the air bag unit assembly.

**WARNING:**

- The pad assembly should be secured by piled up tires, as shown in the figure.
- Be sure to give a warning to other persons about a big noise that will be emitted at the time of the air bag deployment.



JBE00345-00300

8. Disconnect the wire ends that have been shorted. Connect one wire to the positive terminal of the battery; the other wire to the negative terminal of the battery, thereby deploying the air bag.

**NOTE:**

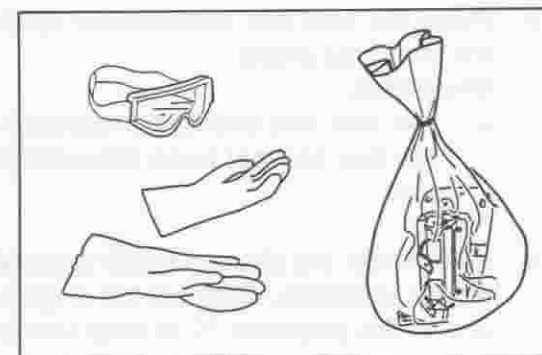
- There is no need for identifying the polarity of the battery.

JBE00346-00000

9. Since the metal section of the gas generator is extremely hot, leave it at least for thirty minutes to allow it to cool naturally. After the deployed air bag cools down completely, it shall be sealed in a bag to be disposed.

**WARNING:**

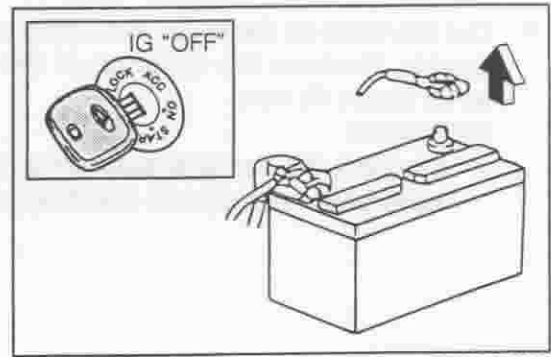
- Be sure to wear protective goggles and gloves during this operation. After completion of the operation, gargle and wash your hands. If you feel any abnormality in your respiratory organs, follow the instruction of a doctor.



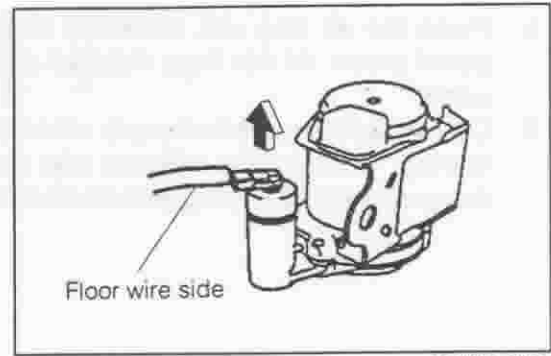
JBE00347-00301

## &lt;Disposal procedure for seat belt pretensioner&gt;

1. Turn OFF the ignition switch. Disconnect the negative terminal of the battery from the vehicle cable terminal.



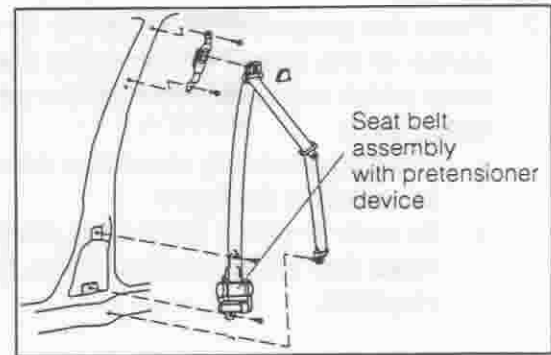
2. Turn OFF the ignition switch and wait at least for 90 seconds. Remove the center pillar lower cover. Disconnect the connector which connects the wire harness of the seat belt pretensioner and the wire cowl.



3. Remove the seat belt pretensioner assembly.

**WARNING:**

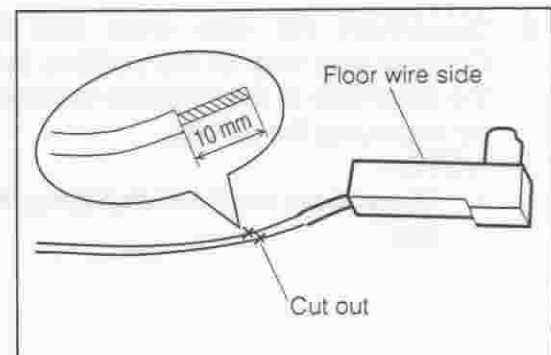
- When storing the seat belt pretensioner assembly, be sure to place it on a flat place which is not exposed to direct sun rays. Also the storing place shall be away from water and rain.



4. Cut the wires at the squib connector of the seat belt pretensioner assembly. Remove the covering of the ends of the two cut wires about 10 mm.

**WARNING:**

- Connect the sections each other whose wire coverings have been removed so that they may be shorted.

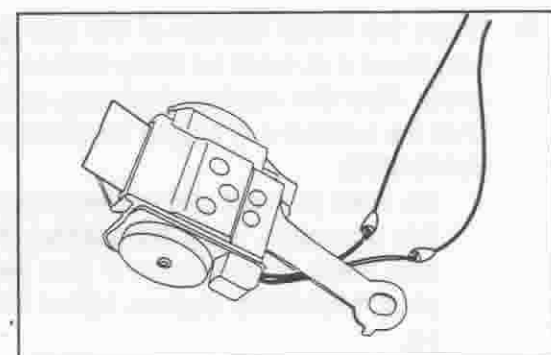


5. Place the seat belt pretensioner assembly at the center of the prepared place.

**WARNING:**

- The seat belt should be retracted in advance. The portion that has not been retracted should be cut by scissors.

6. Disconnect the shorted squib wires of the seat belt pretensioner assembly. Connect the alligator clip attached to the end of the prepared 10 m-long wire to each squib wire.



cured by pre-cut wires, as shown in the figure.

- Be sure to give a warning to other persons about a big noise that will be emitted at the time of the air bag deployment.



JBE00353-00307

8. Disconnect the wire ends that have been shorted. Connect one wire to the positive terminal of the battery; the other wire to the negative terminal of the battery, thereby operating the seat belt pretensioner assembly.

**NOTE:**

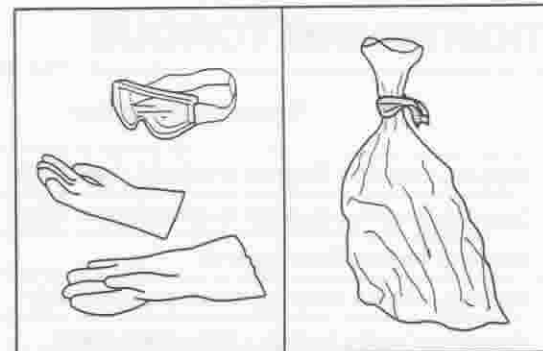
- There is no need for identifying the polarity of the battery.

JBE00354-00000

9. After the operation of the seat belt pretensioner, the metal section of the gas generator is extremely hot. Therefore, leave it at least for thirty minutes to allow it to cool naturally. After it cools down completely, it shall be sealed in a bag to be disposed.



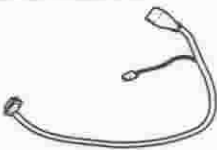

**WARNING:**

- Be sure to wear protective goggles and gloves during this operation. After completion of the operation, gargle and wash your hands. If you feel any abnormality in your respiratory organs, follow the instruction of a doctor.



JBE00355-00308

## SSTs (Special service tool)

Shape	Part No.	Part name	Use
	09870-00025-000	Quick joint remover	To remove the quick joint for air conditioner piping (High pressure side)
	09991-87403-000	Diagnosis check wire	To short the terminal T
	09991-87404-000	Engine control system inspection wire	Additional use for reading the diagnosis code
	09991-97201-000	Diagnosis check wire	To read the immobilizer diagnosis codes for checking ECU input/output signals (LED type)

JBE00363-00316

## TIGHTENING TORQUE

Tightening component	Tightening torque		Remarks
	N·m	kgf·m	
Steering column × Support bracket (Lower side)	9.8 - 15.7	1 - 1.6	Nut
Steering column × Support bracket (Upper side)	14.7 - 21.6	1.5 - 2.2	Bolt
Steering wheel × Steering shaft	27.5 - 41.2	2.8 - 4.2	
Steering wheel × Steering wheel pad assembly	5.2 - 9.5	0.53 - 0.97	TORX® bolt
Passenger's side air bag × Instrument panel	6.7 - 9.5	0.68 - 0.97	Bolt
Passenger's side air bag × Instrument panel	6.7 - 9.5	0.68 - 0.97	Nut
Seatbelt pretensioner × Center pillar	28.4 - 53.0	2.9 - 5.4	Bolt
Seatbelt pretensioner × Center pillar	1.5 - 3.5	0.15 - 0.36	Screw

JBE00364-00000