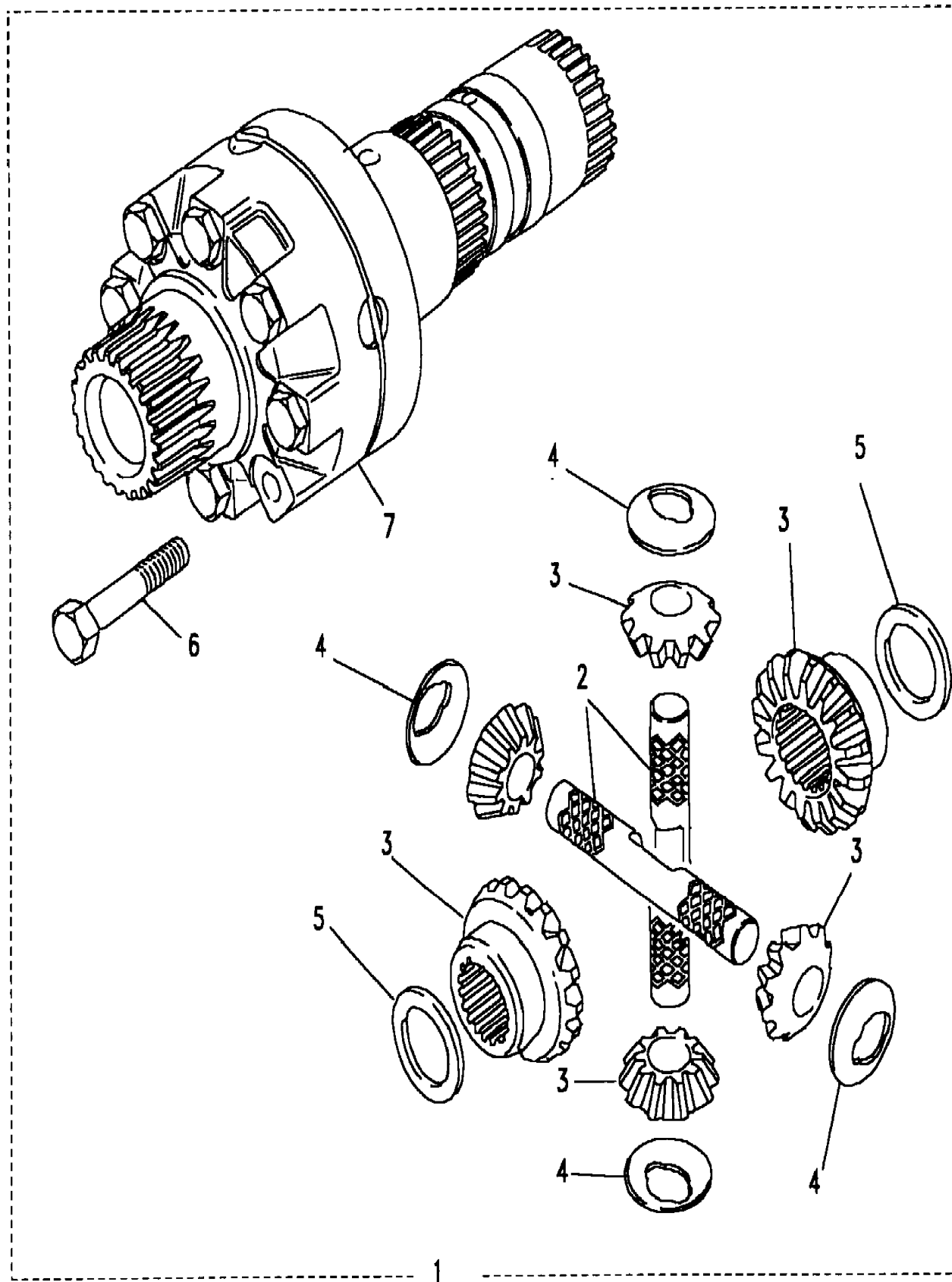


Transfer Box
LT230
Differential 1/1

Discovery (FA393361-WA799999)
(CADBGA1A)



Discovery (FA393361-WA799999)

Transfer Box
LT230
Differential

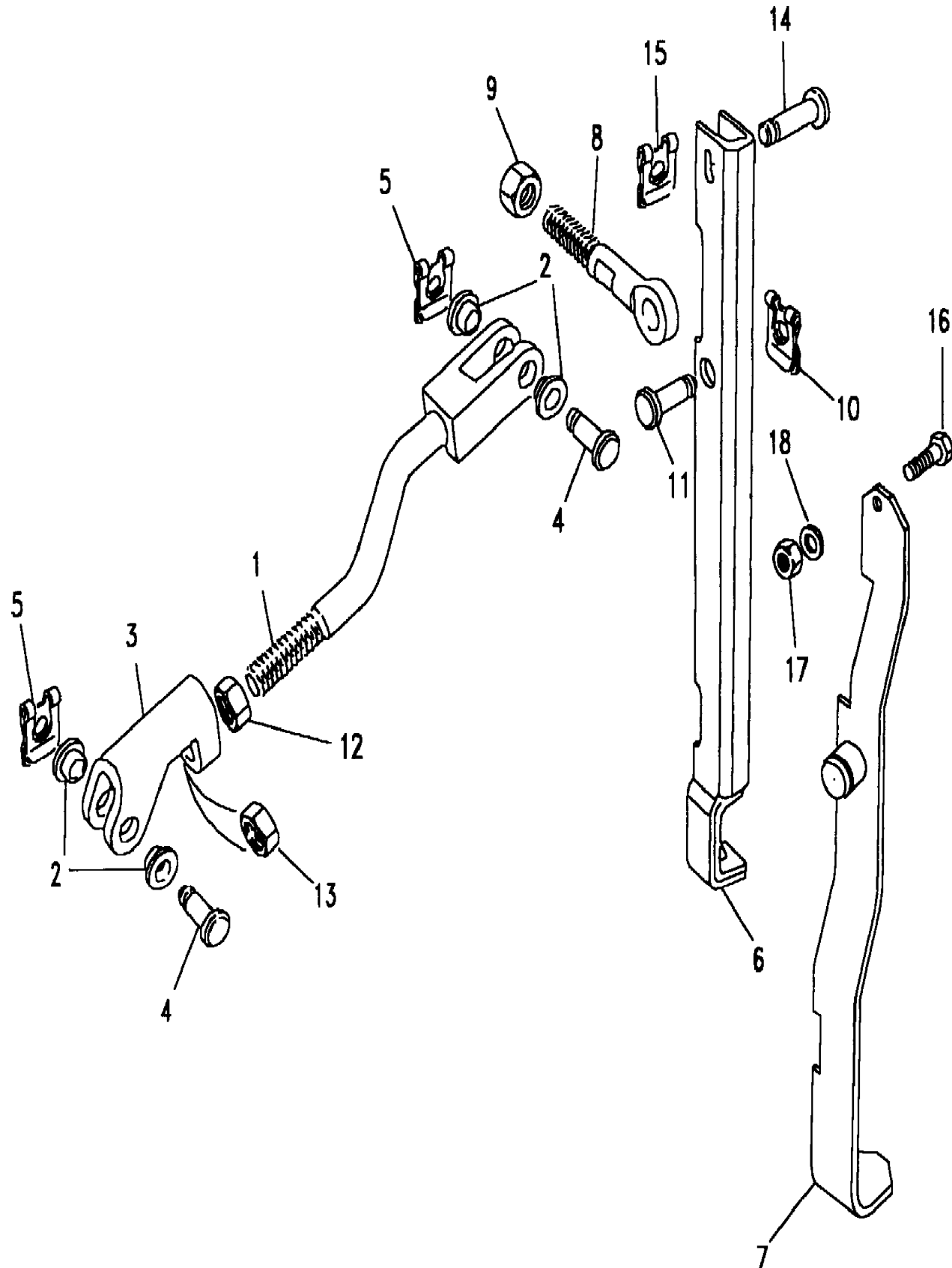
Callout	Name	Application	Remarks & Restrictions	Service No.	Qty
1	Differential assembly-transfer box	Change point - Transfer box end 575041G	Also serviced as part of a kit	FRC7926	1
		Change point - Transfer box begin 575042G	Also serviced as part of a kit	FTC5207	1
2	Kit-shaft-cross	Change point - Transfer box end 575041G	Also serviced as part of a kit	RTC3397	1
3	Kit-differential gears	Change point - Transfer box end 575041G	Also serviced as part of a kit	RTC4490	1
		Change point - Transfer box begin 575042G	Also serviced as part of a kit	STC2940	1
4	Washer-thrust	Change point - Transfer box end 575041G	Also serviced as part of a kit	FRC6968	4
		Change point - Transfer box begin 575042G	Also serviced as part of a kit	FRC6968	4
5	Washer-thrust	Change point - Transfer box end 575041G	Also serviced as part of a kit, 1.05MM	FRC9845	X
		Change point - Transfer box end 575041G	Also serviced as part of a kit, 1.15MM	FRC9847	X
		Change point - Transfer box end 575041G	Also serviced as part of a kit, 1.25MM	FRC9849	X
		Change point - Transfer box end 575041G	Also serviced as part of a kit, 1.35MM	FRC9851	X
		Change point - Transfer box end 575041G	Also serviced as part of a kit, 1.45MM	FRC9853	X
6	Bolt	Change point - Transfer box end 575041G	Also serviced as part of a kit, Long, M10 x 60	BH110121L	8
7	Ring-transfer box differential retaining	Change point - Transfer box end 575041G	Also serviced as part of a kit	FRC7499	1

Transfer Box
LT230
Differential Lock 1/1

Discovery (FA393361-WA799999)
(CADBMA2A)

Discovery (FA393361-WA799999)

Transfer Box
LT230
Differential Lock



Callout	Name	Application	Remarks & Restrictions	Service No.	Qty
1	Rod assembly-linkage connecting	Change point - Transfer box end 28D274897E		FRC6000	1
		Change point - Transfer box begin 28D274898E		FTC3675	1
2	Bush			FRC4499	4
3	Arm-transfer box differential lock			FRC8075	1
4	Pin-clevis/pivot			FRC8767	2
5	Clip-spring steel			ANR1832	2
6	Arm-transfer box differential lock	Automatic Transmission		FRC8204	1
		Change point - VIN end LA081991, Manual Transmission		FRC8204	1
7	Arm-transfer box differential lock	Change point - VIN begin MA081992, Manual Transmission		FTC4095	1
8	Pin			FRC8202	1
9	Nut - Hex.		M8, hexagonal head M8, flange	NH108041L FN108041L	1 1
10	Clip-spring steel			ANR1832	1
11	Pin-clevis/pivot			FRC8547	1
12	Nut - Hex.		M8, nyloc	NY108041L	1
13	Nut - Hex.		hexagonal head	NT108041L	1
14	Pin-clevis/pivot			FRC8768	1
15	Clip			FRC8769	1
16	Bolt	Change point - VIN begin MA081992, Manual Transmission	M5	FB105051L	1
17	Nut-hexagonal-nyloc	Change point - VIN begin MA081992, Manual Transmission	M5	NY105041L	1
18	Washer	Change point - VIN begin MA081992, Manual Transmission	6MM	WA106041L	1

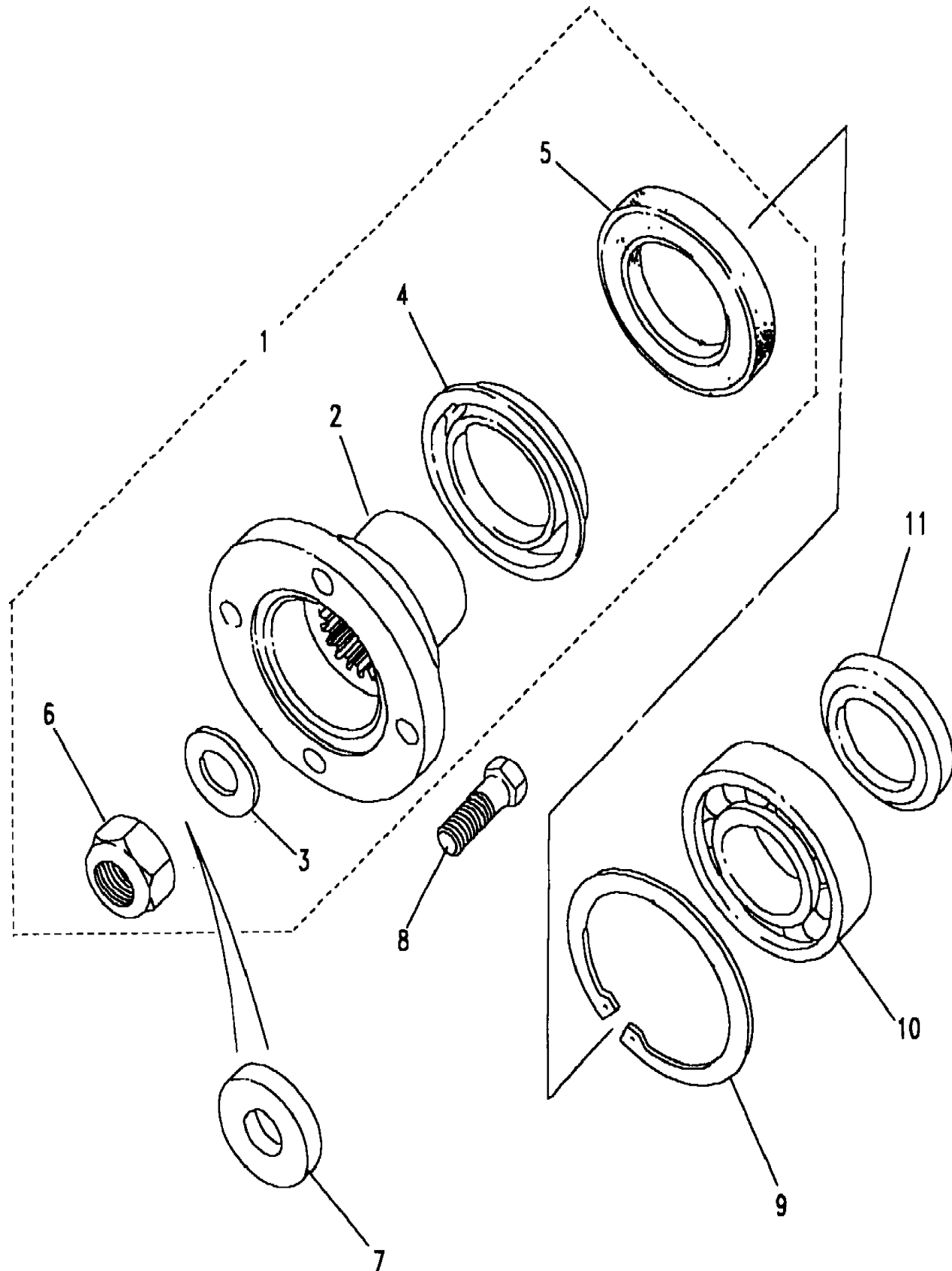
Transfer Box
LT230
Front Flange 1/1

Discovery (FA393361-WA799999)
(CADBIA4A)

Discovery (FA393361-WA799999)

Transfer Box
LT230
Front Flange

Callout	Name	Application	Remarks & Restrictions	Service No.	Qty
1	Flange assembly-front output		Also serviced as part of a kit	STC3432	1
2	Flange assembly-front output		Also serviced as part of a kit	FRC5442	1
3	Washer		Also serviced as part of a kit	FRC2464	1
4	Mudshield-transfer box oil seal	Change point - Transfer box begin 28D526135F, Change point - Transfer box end 28D999999F Change point - Transfer box begin 34D526135F, Change point - Transfer box end 34D999999F Change point - Transfer box begin 28D000001A, Change point - Transfer box end 28D526134F Change point - Transfer box begin 34D000001A, Change point - Transfer box end 34D526134F	Also serviced as part of a kit	FTC4940	1
5	Seal-transfer box output	Change point - Transfer box begin 28D526135F, Change point - Transfer box end 28D999999F Change point - Transfer box begin 34D526135F, Change point - Transfer box end 34D999999F Change point - Transfer box begin 28D000001A, Change point - Transfer box end 28D526134F Change point - Transfer box begin 34D000001A, Change point - Transfer box end 34D526134F	Also serviced as part of a kit	FTC4939	1
6	Nut-hexagonal-nyloc		Also serviced as part of a kit, M20	NY120041L	1
7	Washer			571468	1
8	Bolt		3/8UNC x 1 1/4	BT606101L	4
9	Circlip		Large	216962	1
10	Bearing-ball			STC1130	1
11	Spacer			FRC5439	1



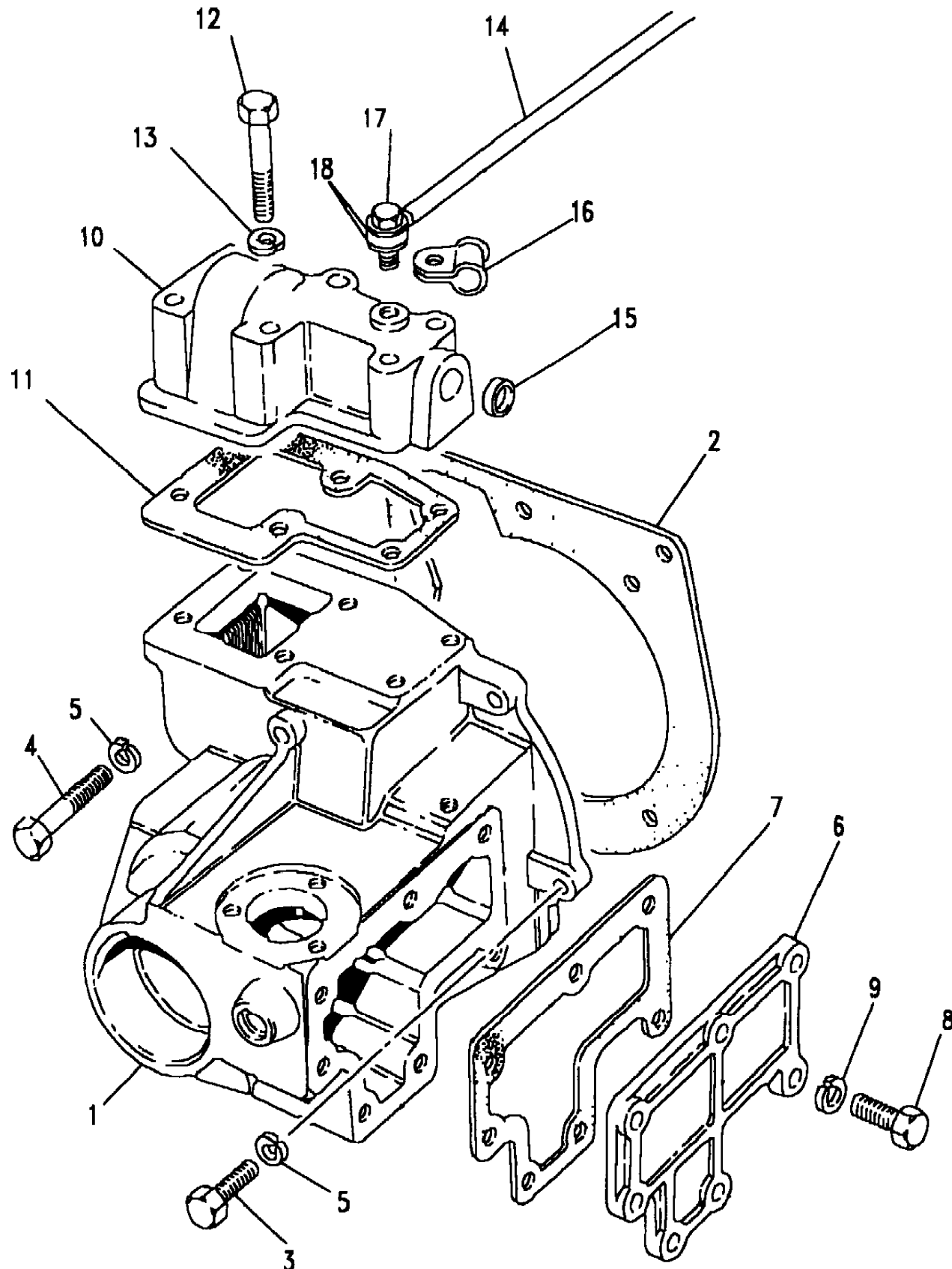
Transfer Box
LT230
Front Housing 1/1

Discovery (FA393361-WA799999)

(CADBCA1A)

Discovery (FA393361-WA799999)

Transfer Box
LT230
Front Housing



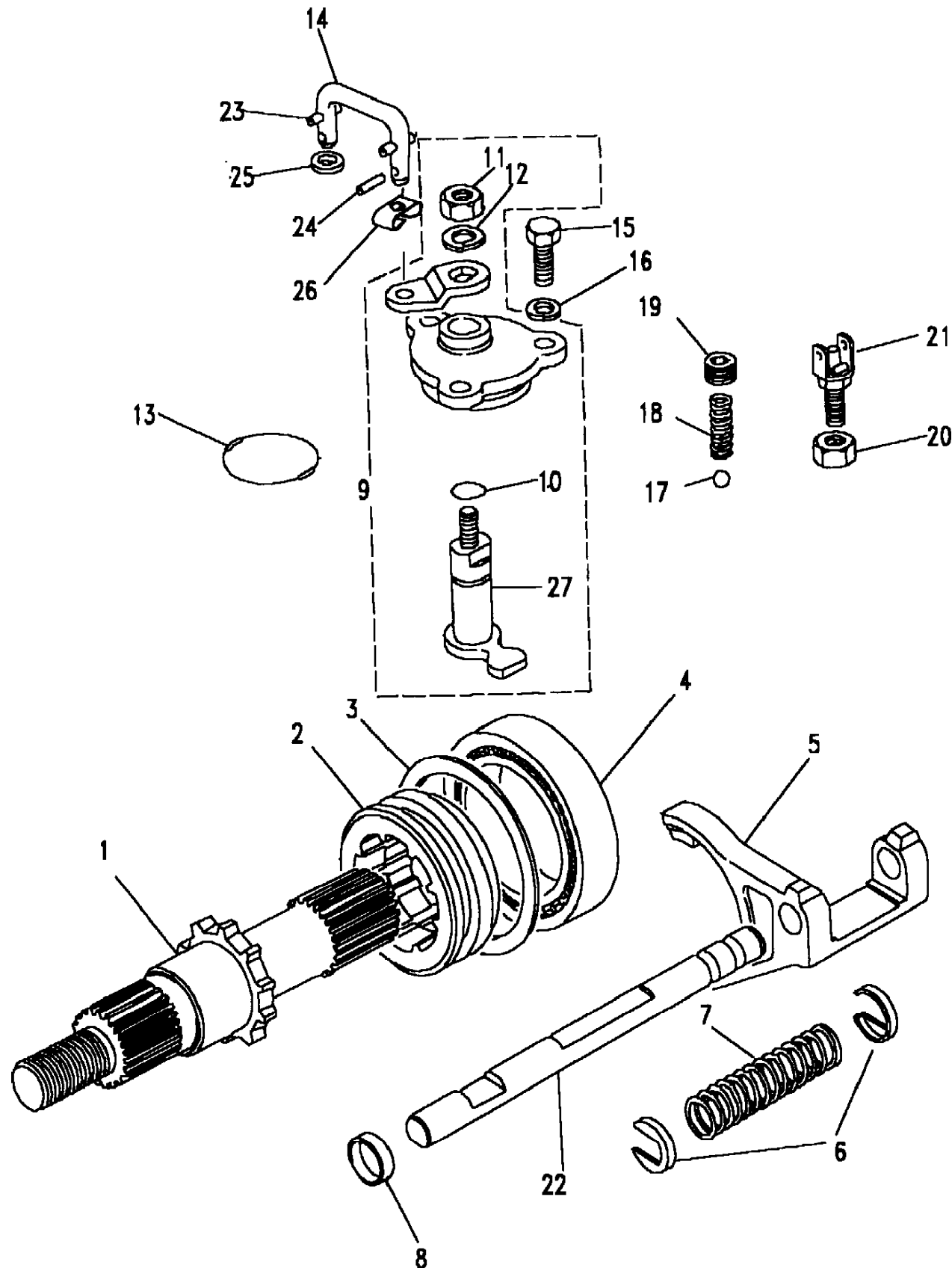
Callout	Name	Application	Remarks & Restrictions	Service No.	Qty
1	Housing-output shaft front			FRC8299	1
				FTC4178	1
2	Gasket			FRC6103	1
3	Screw		M8 x 25, Flanged Head M8 x 25, Flanged Head	FS108251L FS108257L	7 7
4	Bolt		hexagonal head, M8 x 90 Flanged Head, M8 x 90	BH108181L FB108181ML	1 1
5	Washer		8MM	WA108051L	8
6	Cover-transfer box front housing			FRC6104	1
7	Gasket-transfer box side cover			FRC6105	1
8	Screw	Manual Transmission	(-) TDI, M8 x 25, hexagonal head	SH108251L	7
		TDi, Automatic Transmission	M8 x 25, Flanged Head	FS108251ML	7
9	Washer		8MM	WA108051L	7
10	Housing-cross shaft			FRC6106	1
11	Gasket-transfer box cover to case			FRC7998	1
12	Bolt		Flanged Head, M8 x 55	FB108111L	6
13	Washer		8MM	WA108051L	6
14	Tube-breather transmission case			FRC9427	1
15	Plug	Change point - Transfer box end 580318G Change point - Transfer box begin 580319G		FRC7930 FTC5427	1 1
16	Clip-p		5/16"	BAU1689	1
17	Bolt-banjo			595478	1
18	Washer-sealing		transfer box breather pipe banjo	232039	2
[900]	Screw	Manual Transmission	(-) TDI, M8 x 25, hexagonal head	SH108257	7
[901]	Sealant		silicone	RTC3254	1

Transfer Box
LT230
Front Output Shaft 1/2

Discovery (FA393361-WA799999)
(CADBIA3A)

Discovery (FA393361-WA799999)

Transfer Box
LT230
Front Output Shaft



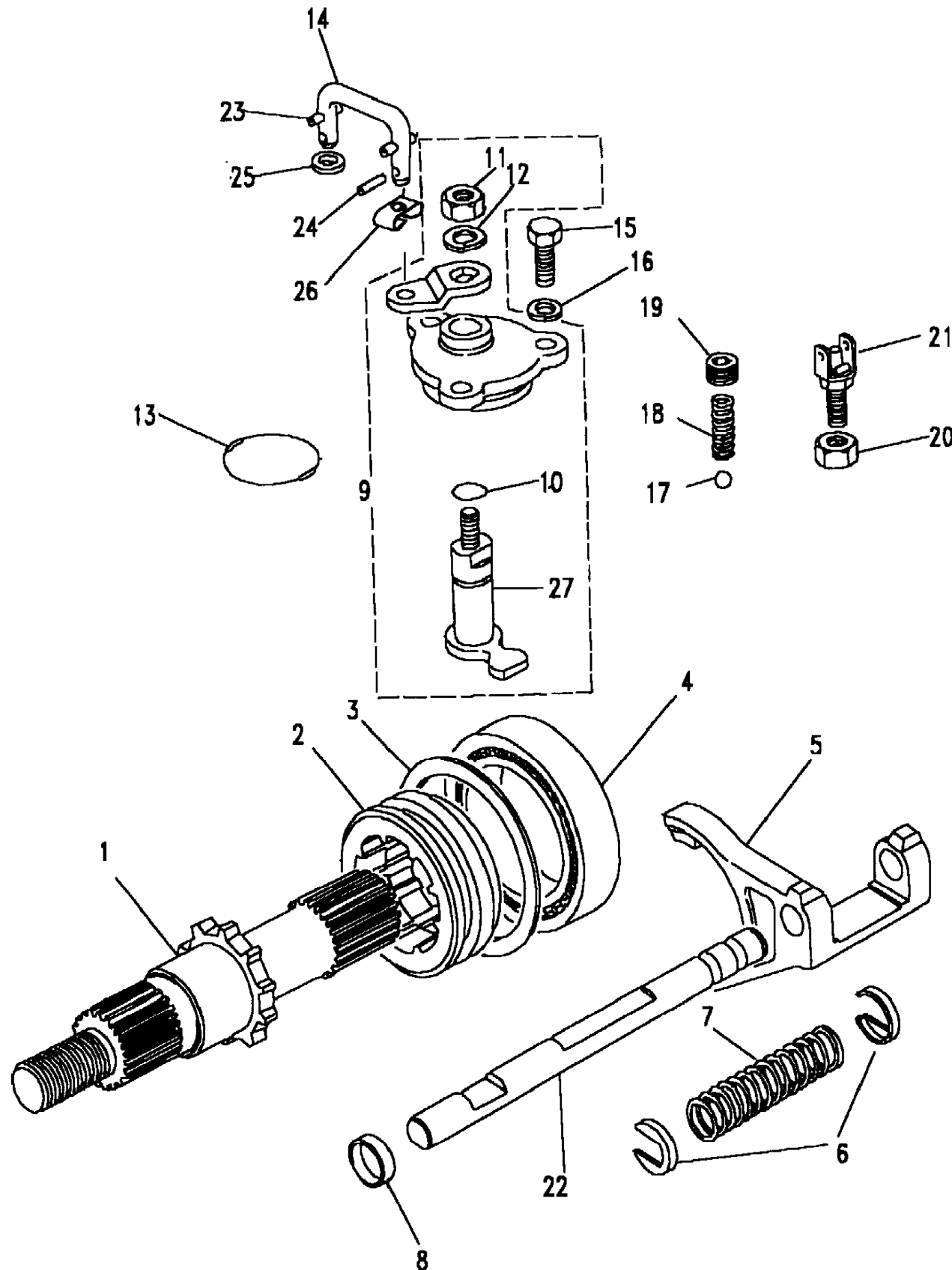
Callout	Name	Application	Remarks & Restrictions	Service No.	Qty
1	Shaft assembly-front output			FRC5449	1
2	Ring-differential locking			FRC5440	1
3	Shim		2MM 2.05MM 2.10MM 2.15MM 2.20MM 2.25MM 2.30MM 2.35MM 2.40MM 2.45MM 2.50MM 2.55MM 2.60MM 2.65MM 2.70MM 2.75MM 2.8MM 2.85MM 2.90MM 2.95MM 3.0MM 3.05MM 3.10MM 3.15MM 3.20MM 3.25MM	FTC726 FTC728 FTC730 FTC732 FTC734 FTC736 FTC738 FTC740 FTC742 FTC744 FTC746 FTC748 FTC750 FTC752 FTC754 FTC756 FTC758 FTC760 FTC762 FTC764 FTC766 FTC768 FTC770 FTC772 FTC774 FTC776	1 1
4	Bearing-taper roller			FRC7871	1
5	Fork-transfer box differential lock selector			FRC6109	1
6	Clip			FRC5469	2
7	Spring-transfer box differential lock			FRC5468	1
8	Plug			FRC6110	1
9	Housing assembly-transfer box gear change		Also serviced as part of a kit	FRC7686	1
10	O Ring		Also serviced as part of a kit	FRC5576	1
11	Nut - Hex.		Also serviced as part of a kit, M8, nyloc	NY108041L	1
12	Washer		Also serviced as part of a kit, 8MM	WA108051L	1

Transfer Box
LT230
Front Output Shaft 2/2

Discovery (FA393361-WA799999)
(CADBIA3A)

Discovery (FA393361-WA799999)

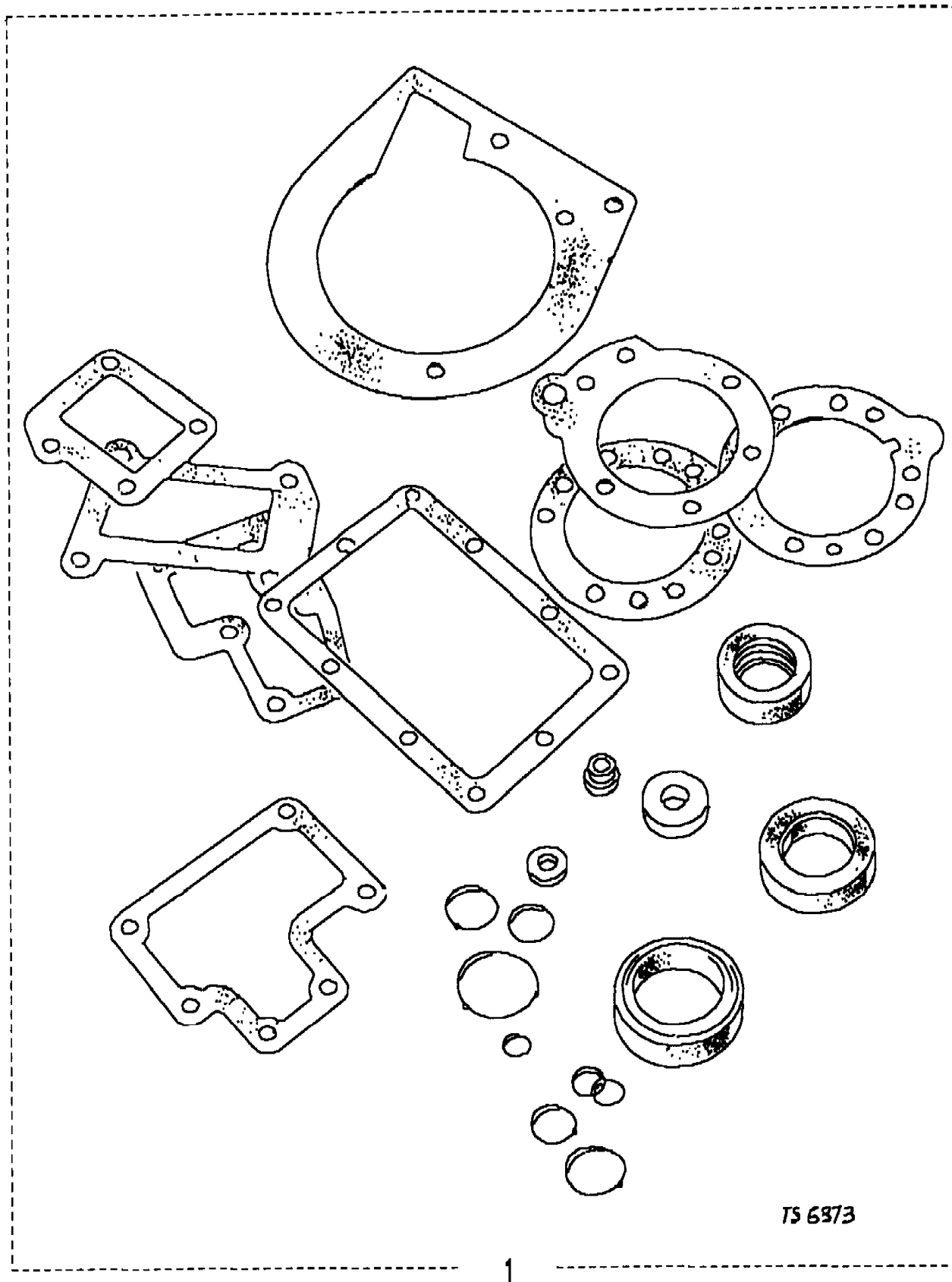
Transfer Box
LT230
Front Output Shaft



Callout	Name	Application	Remarks & Restrictions	Service No.	Qty
13	O Ring			FRC5473	1
14	Link-transfer box differential lock connecting	Change point - Axle end 28D274897E		FRC8544	1
		Change point - Axle begin 28D274898E		FTC3698	1
15	Screw	Change point - Axle end 28D274401E	M8 x 25, hexagonal head	SH108251L	3
		Change point - Axle begin 28D274402E	M8 x 25, Flanged Head M8 x 25, Flanged Head	FS108251L FS108251ML	3 3
16	Washer	Change point - Axle end 28D274401E	6MM	WA106041L	2
17	Ball-detent manual transmission			571146	1
18	Spring-transfer box detent			FRC5562	1
19	Screw		M12 M12 x 10, patch lock	SU112101M SU112101S	1 1
21	Switch		Reverse Lamp	PRC2911	1
22	Shaft-transfer box differential lock selector			FRC6030	1
23	Pin-roll			FRC8394	2
24	Pin-split	Change point - Axle end 28D274897E		PS103121L	2
25	Washer	Change point - Axle end 28D274897E	6MM	WA106041L	2
26	Clip	Change point - Axle begin 28D274898E		FTC3674	2
27	Pivot-transfer box differential lock shaft/arm			FRC7098	1
[900]	Shaft assembly-front output			IED000010	1
[901]	Screw		M8 x 25, hexagonal head	SH108257	3
[902]	Locknut			UYF100160	1

Transfer Box
LT230
Gasket Kit 1/2

Discovery (FA393361-WA799999)
(CADBPA1A)



TS 6373

Discovery (FA393361-WA799999)

Transfer Box
LT230
Gasket Kit

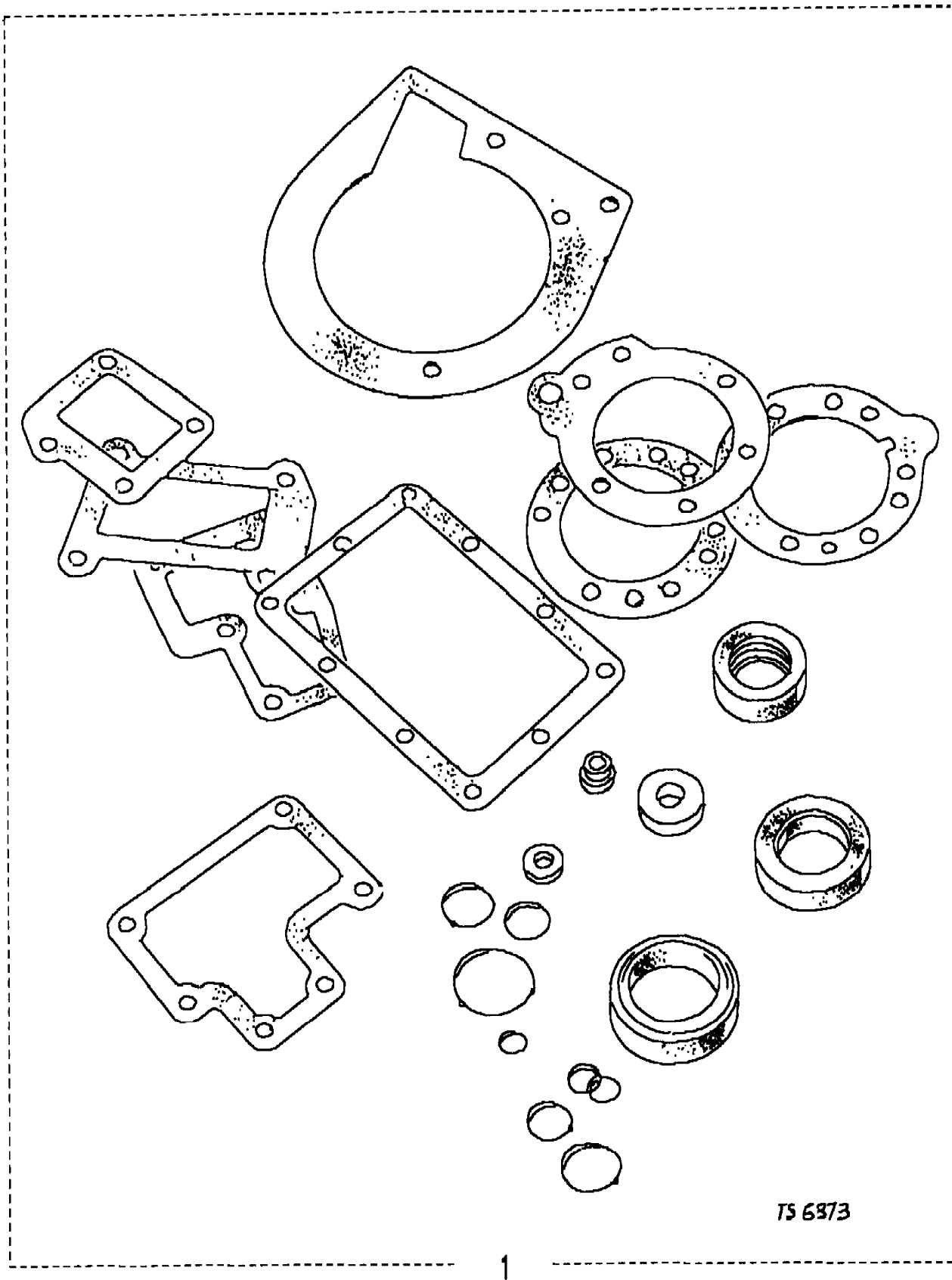
Callout	Name	Application	Remarks & Restrictions	Service No.	Qty
1	Kit-gasket and seal		Also serviced as part of a kit	RTC3890	1
[900]	O Ring		cross shaft intermediate shaft-front, Also serviced as part of a kit intermediate shaft, Also serviced as part of a kit speedometer spindle housing, Also serviced as part of a kit cross shaft, Also serviced as part of a kit intermediate shaft, Also serviced as part of a kit selector shaft, Also serviced as part of a kit crank arm, Also serviced as part of a kit Also serviced as part of a kit pivot shaft, Also serviced as part of a kit intermediate shaft-anti rotation plate, Also serviced as part of a kit	FRC4951 FRC8292 532323 571665 FRC4509 FRC5419 FRC5473 FRC5479 FRC5575 FRC5576 FRC7439	2 2 1 1 2 1 1 1 2 1 1
[901]	Gasket-transfer box speedometer housing		Also serviced as part of a kit	FRC5409	1
[902]	Gasket-transfer box power take off cover		Also serviced as part of a kit	FRC5413	2
[903]	Gasket-transfer box bottom cover		Also serviced as part of a kit	FRC5416	1
[904]	Gasket-transfer box gear change housing plate		Also serviced as part of a kit	FRC5486	1
[905]	Gasket		Also serviced as part of a kit	FRC6103	1
[906]	Gasket-transfer box side cover		Also serviced as part of a kit	FRC6105	1
[907]	Gasket-transfer box gear change housing plate		Also serviced as part of a kit & gear change, Also serviced as part of a kit	FRC6306 FTC4036	1 1
[908]	Gasket-transfer box cover to case		Also serviced as part of a kit	FRC7998	1
[909]	Washer		Also serviced as part of a kit	FRC2464	2
[910]	Seal-oil speedometer pinion		Also serviced as part of a kit	AAU2304	1
[911]	Seal		Also serviced as part of a kit	FRC2365	1

SEP 04

412

Transfer Box
LT230
Gasket Kit 2/2

Discovery (FA393361-WA799999)
(CADBPA1A)



TS 6373

412

SEP 04

Discovery (FA393361-WA799999)

Transfer Box
LT230
Gasket Kit

Callout	Name	Application	Remarks & Restrictions	Service No.	Qty
[912]	Seal-transfer box output		Also serviced as part of a kit	FRC7043	2
[913]	Washer-sealing		transfer box drain plug, Also serviced as part of a kit	FRC4808	1

Transfer Box
LT230
Gear Change 1/2

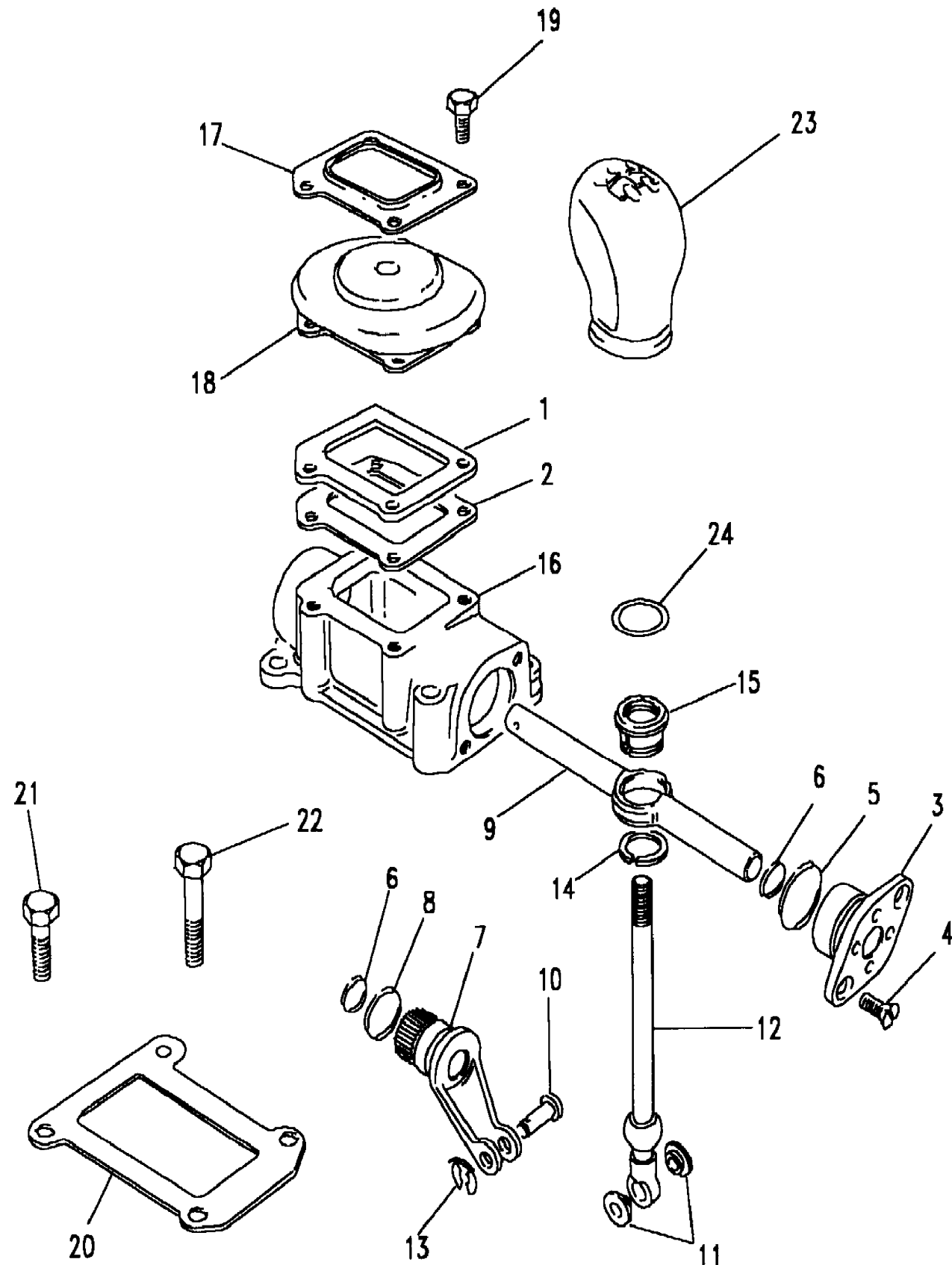
Discovery (FA393361-WA799999)
(CADBMA1B)

Discovery (FA393361-WA799999)

Transfer Box
LT230
Gear Change

Automatic Transmission

Callout	Name	Application	Remarks & Restrictions	Service No.	Qty
1	Plate-gear lever retention			FRC8561	1
2	Gasket-transfer box gear change housing plate	Change point - VIN end LA081991		FRC5486	1
		Change point - VIN begin MA081992, Change point - VIN end MA126064		FTC4037	1
		Change point - VIN begin MA081992, Change point - VIN end MA136351		FTC4037	1
		Change point - VIN begin MA081992, Change point - VIN end MA141581		FTC4037	1
3	Plate-transfer box selector cross shaft end			FRC5574	1
4	Screw		M6 X 20, counter sunk, recessed	SF106201L	2
5	O Ring			FRC8292	1
6	O Ring			FRC4951	2
7	Lever assembly bell crank			FRC5480	1
8	O Ring			FRC5479	3
9	Shaft-gear change cross			FRC8203	1
10	Pin-clevis/pivot			FRC8766	1
11	Bush			FRC4499	2
12	Lever-transfer box	Change point - VIN end LA081991	bent	FTC2471	1
		Change point - VIN begin MA081992, Change point - VIN end MA126064	Straight	FRC9674	1
		Change point - VIN begin MA081992, Change point - VIN end MA136351	Straight	FRC9674	1
		Change point - VIN begin MA081992, Change point - VIN end MA141581	Straight	FRC9674	1
		Change point - VIN begin MA126065	rubber mounted	FTC4735	1
		Change point - VIN begin MA136352	rubber mounted	FTC4735	1
		Change point - VIN begin MA141582	rubber mounted	FTC4735	1
13	Clip-spring steel			ETC7884	1



Transfer Box
LT230
Gear Change 2/2

Discovery (FA393361-WA799999)

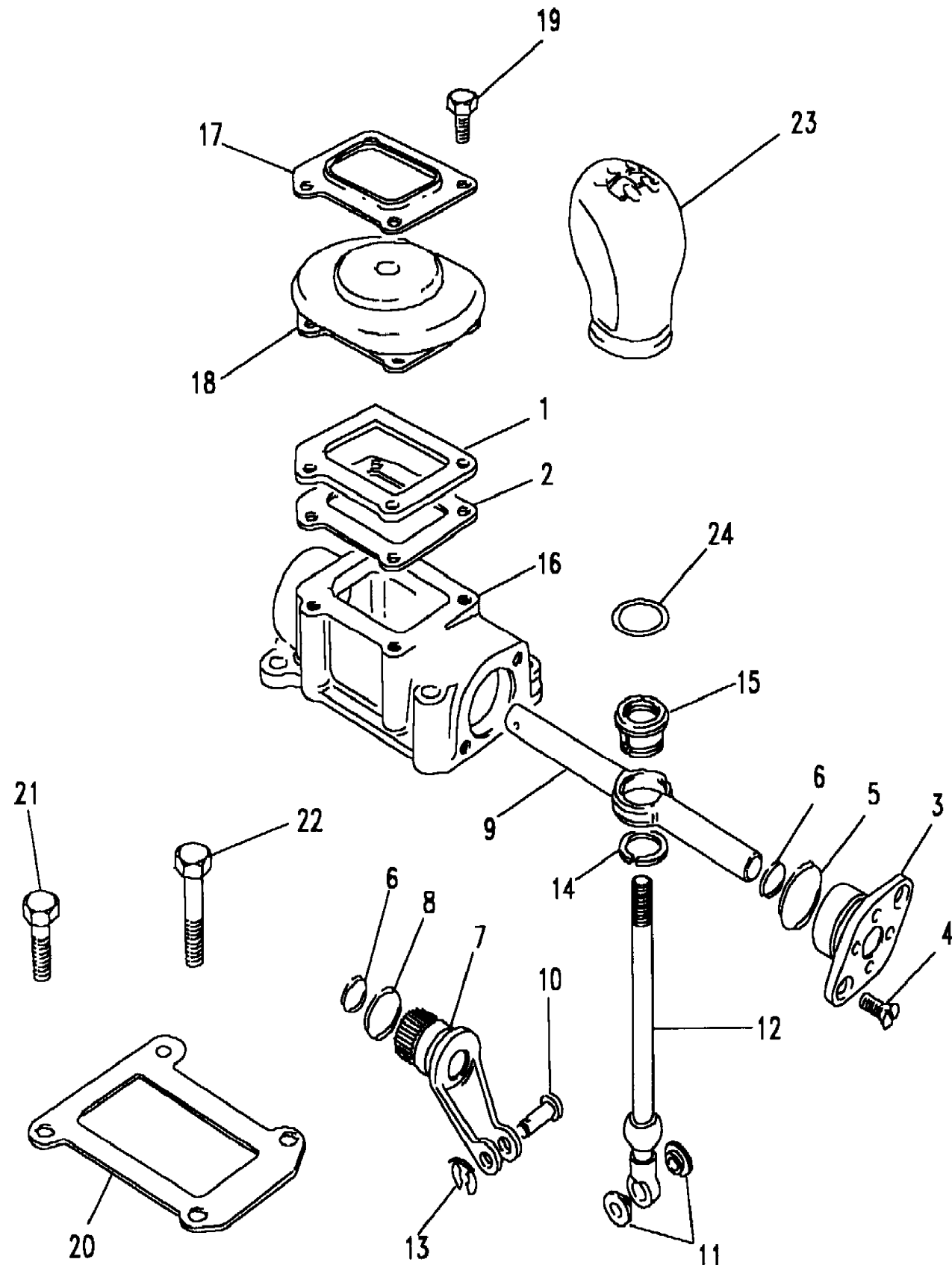
(CADBMA1B)

Discovery (FA393361-WA799999)

Transfer Box
LT230
Gear Change

Automatic Transmission

Callout	Name	Application	Remarks & Restrictions	Service No.	Qty
14	Circlip			CR120215	1
15	Bush-joint selector rod/yoke manual transmission		Also serviced as part of a kit	FRC5076	1
16	Housing assembly-gear change cross shaft			FRC8751	1
17	Plate-transfer box gearchange grommet retaining	Change point - VIN begin MA126065, Change point - VIN end MA160601		FRC6873	1
18	Grommet	Change point - VIN begin MA126065, Change point - VIN end MA160601		FRC6872	1
19	Screw		M6 X 20, Flanged Head M6 X 20, Flanged Head	FS106207L FS106201L	4 4
20	Gasket-transfer box gear change housing plate	Change point - VIN end MA160601 Change point - VIN begin MA160602		FRC6306 FTC4036	1 1
21	Screw		M8 x 25, Flanged Head M8 x 25, Flanged Head	FS108251L FS108257L	2 2
22	Bolt		Flanged Head, M8 x 55	FB108111L	1
23	Knob assembly-transfer box change	Change point - VIN end MA126153 Change point - VIN begin MA126154, Change point - VIN end MA160601 Change point - VIN begin MA160602	Ash Grey Ash Grey Ash Grey Black	MXC5321LNF AWR2786LNF AWR2983LNF AWR2983PMA	1 1 1 1
24	O Ring	Change point - VIN begin MA126065 Change point - VIN begin MA136352 Change point - VIN begin MA141582		FRC5575 FRC5575 FRC5575	1 1 1
[900]	Sealant	Change point - VIN begin MA126065 Change point - VIN begin MA136352 Change point - VIN begin MA141582	silicone silicone silicone	RTC3254 RTC3254 RTC3254	1 1 1



Transfer Box
LT230
Gear Change 1/3

Discovery (FA393361-WA799999)

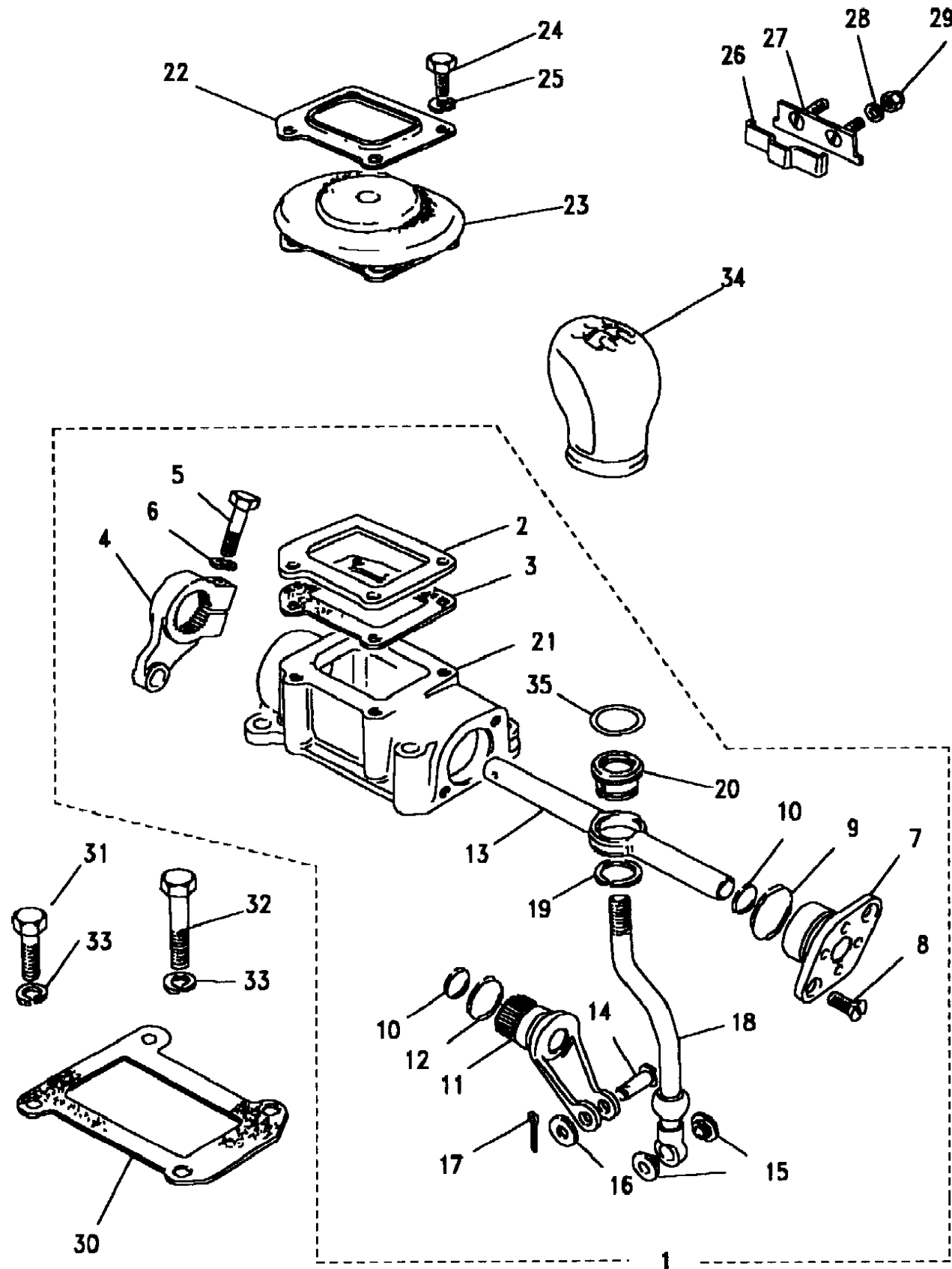
(CADBMA1A)

Discovery (FA393361-WA799999)

Transfer Box
LT230
Gear Change

Manual Transmission

Callout	Name	Application	Remarks & Restrictions	Service No.	Qty
1	Mechanism assembly-transfer box gear change	Change point - VIN begin JA027886	Also serviced as part of a kit	FRC9683	1
2	Plate-gear lever retention	Change point - VIN begin JA027886, Change point - VIN end MA160601	Also serviced as part of a kit	FRC8542	1
3	Gasket-transfer box gear change housing plate	Change point - VIN begin JA027886, Change point - VIN end LA081991	Also serviced as part of a kit	FRC5486	1
		Change point - VIN begin JA027886, Change point - VIN end MA160601	Also serviced as part of a kit	FTC4037	1
		Change point - VIN begin MA081992, Change point - VIN end MA160601	Also serviced as part of a kit	FTC4037	1
4	Arm-transfer box gearchange	Change point - VIN begin JA027886, Change point - VIN end MA160601	Also serviced as part of a kit	FRC5478	1
5	Screw		M8 x 25, Flanged Head	FS108251L	2
			M8 x 25, Flanged Head	FS108251ML	X
		Change point - VIN begin JA027886, Change point - VIN end MA160601	Also serviced as part of a kit, Flanged Head, M6 x 25, patch lock	FS106251M	1
6	Washer	Change point - VIN begin JA027886, Change point - VIN end MA160601	Also serviced as part of a kit	WL106041L	1
7	Plate-transfer box selector cross shaft end	Change point - VIN begin JA027886, Change point - VIN end MA160601	Also serviced as part of a kit	FRC5574	1
8	Screw	Change point - VIN begin JA027886, Change point - VIN end MA160601	Also serviced as part of a kit, M6 X 20, counter sunk, recessed	SF106201L	2
9	O Ring	Change point - VIN begin JA027886, Change point - VIN end MA160601	Also serviced as part of a kit	FRC8292	1
10	O Ring	Change point - VIN begin JA027886, Change point - VIN end MA160601	Also serviced as part of a kit	FRC4951	2
11	Lever assembly bell crank	Change point - VIN begin JA027886, Change point - VIN end MA160601	Also serviced as part of a kit	FRC5480	1
12	O Ring	Change point - VIN begin JA027886, Change point - VIN end MA160601	Also serviced as part of a kit	FRC5479	3
13	Shaft-gear change cross	Change point - VIN begin JA027886, Change point - VIN end MA160601	Also serviced as part of a kit	FRC8203	1



Transfer Box
LT230
Gear Change 2/3

Discovery (FA393361-WA799999)

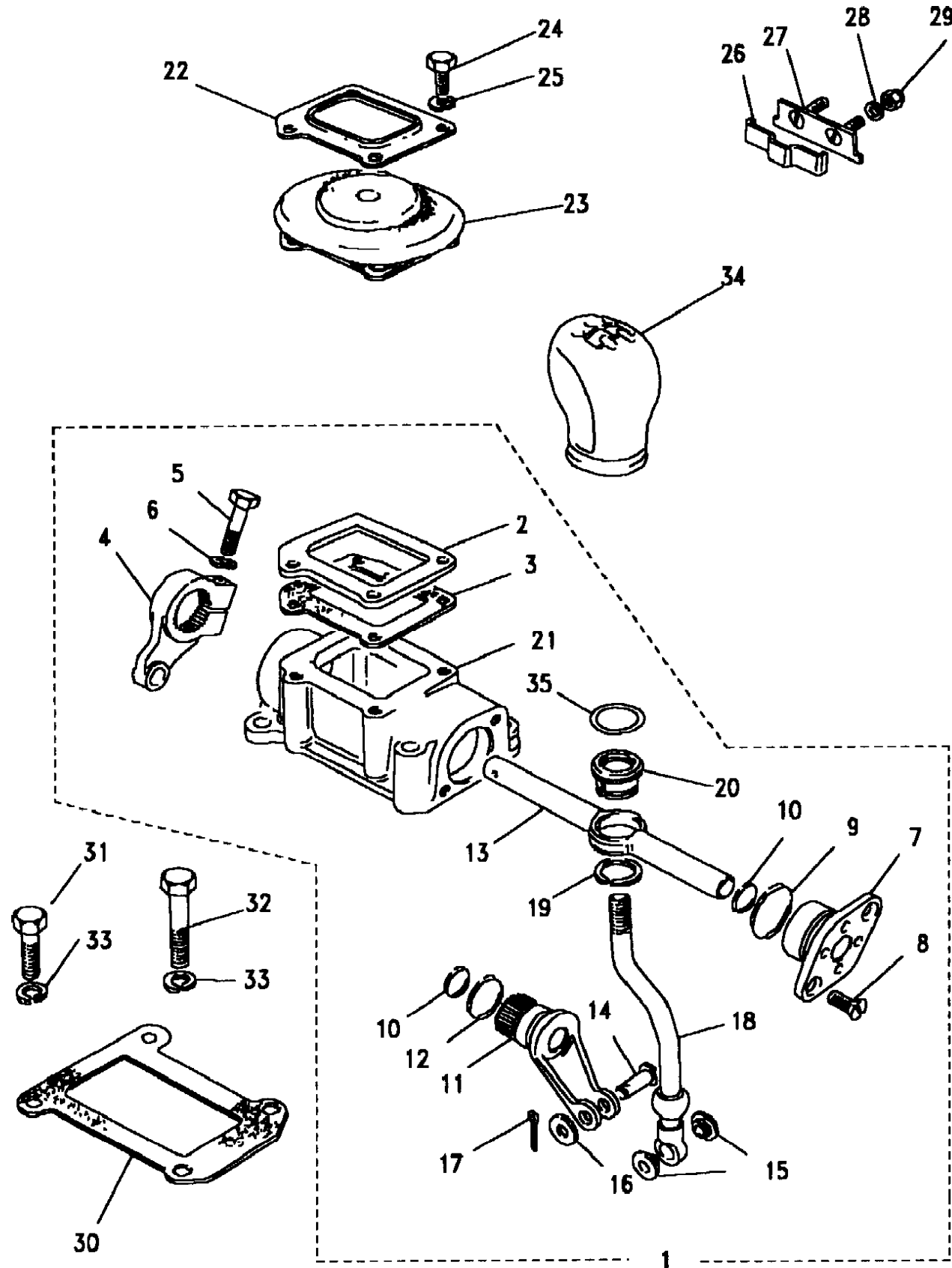
(CADBMA1A)

Discovery (FA393361-WA799999)

Transfer Box
LT230
Gear Change

Manual Transmission

Callout	Name	Application	Remarks & Restrictions	Service No.	Qty
14	Pin-clevis/pivot	Change point - VIN begin JA027886, Change point - VIN end MA160601	Also serviced as part of a kit	FRC8766	1
15	Bush	Change point - VIN begin JA027886, Change point - VIN end MA160601	Also serviced as part of a kit	FRC4499	2
16	Washer	Change point - VIN begin JA027886, Change point - VIN end MA160601	Also serviced as part of a kit, 8MM	WA108051L	1
17	Pin-split	Change point - VIN begin JA027886, Change point - VIN end MA160601	Also serviced as part of a kit	FRC8548	1
18	Lever-transfer box	Change point - VIN begin JA027886, Change point - VIN end JA027887 Change point - VIN begin JA027886, Change point - VIN end MA160601 Change point - VIN begin MA160602	Also serviced as part of a kit, bent Also serviced as part of a kit, Straight Also serviced as part of a kit, rubber mounted	FTC2471 FRC9674 FTC4735	1 1 1
19	Circlip	Change point - VIN begin JA027886, Change point - VIN end MA160601	Also serviced as part of a kit	CR120215	1
20	Bush-joint selector rod/yoke manual transmission	Change point - VIN begin JA027886, Change point - VIN end MA160601	Also serviced as part of a kit	FRC5076	1
21	Housing assembly-gear change cross shaft	Change point - VIN begin JA027886, Change point - VIN end MA160601	Also serviced as part of a kit	FRC8751	1
22	Plate-transfer box gearchange grommet retaining	Change point - VIN begin MA126154		FRC6873	1
23	Grommet	Change point - VIN begin MA126154		FRC6872	1
24	Screw		M6 X 16	SF106161L	2
25	Washer		M6, sprung	WL106001L	4
26	Spring-detent manual transmission			RTC1956	1
27	Plate-transfer box detent spring retaining			FRC6125	1
28	Washer		M5, Plain, Standard	WA105001L	2
29	Nut-hexagonal-nyloc		M5	NY105041L	2



Transfer Box
LT230
Gear Change 3/3

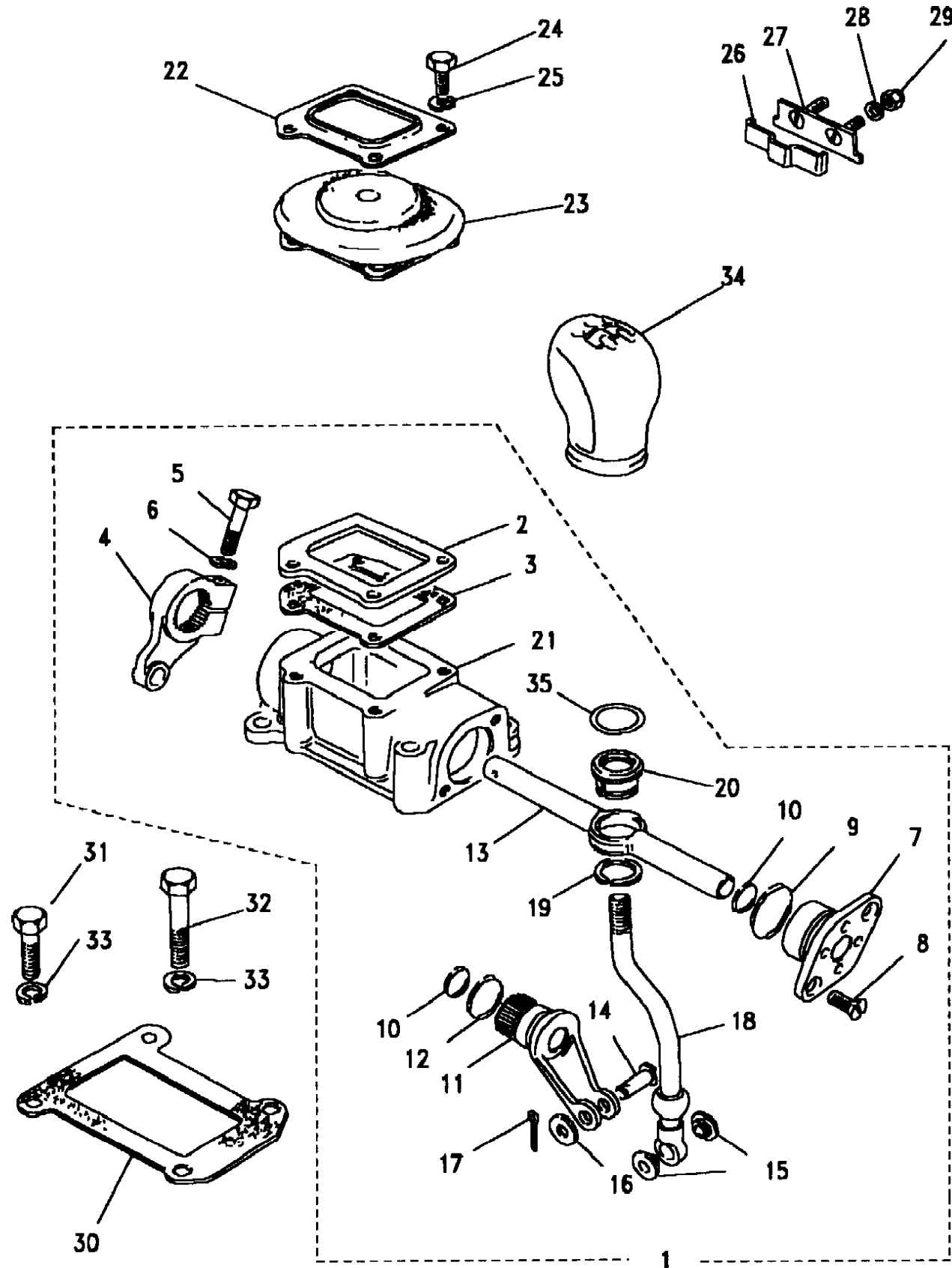
Discovery (FA393361-WA799999)
(CADBMA1A)

Discovery (FA393361-WA799999)

Transfer Box
LT230
Gear Change

Manual Transmission

Callout	Name	Application	Remarks & Restrictions	Service No.	Qty
30	Gasket-transfer box gear change housing plate	Change point - VIN end LA081991		FRC6306	1
		Change point - VIN begin MA081992, Change point - VIN end MA160601		FTC4036	1
31	Screw		M8 x 25, hexagonal head	SH108251L	2
32	Bolt		Flanged Head, M8 x 55	FB108111L	2
33	Washer		M8, sprung	WL108001L	4
34	Knob assembly-transfer box change	Change point - VIN begin MA126154, Change point - VIN end MA163103	Ash Grey	AWR2786LNF	1
		Change point - VIN begin TA163104	Ash Grey	AWR2983LNF	1
		Change point - VIN begin TA501920	Ash Grey	AWR2983LNF	1
		Change point - VIN end JA034313	Black Grey	AWR2983PMA MXC5321LUN	1 1
		Change point - VIN end MA163103	Grey	AWR2983LUN	1
		Change point - VIN begin KA034314, Change point - VIN end MA126153	Ash Grey	MXC5321LNF	1
35	O Ring	Change point - VIN begin MA160602	ANTI RATTLE	FRC5575	1
[900]	Sealant	Change point - VIN begin MA160602	silicone	RTC3254	1
[901]	Screw		Flanged Head, M6 x 25, patch lock M8 x 25, hexagonal head	FS106251ML SH108257	X 2
[902]	Washer		8MM, sprung	WL108007	4

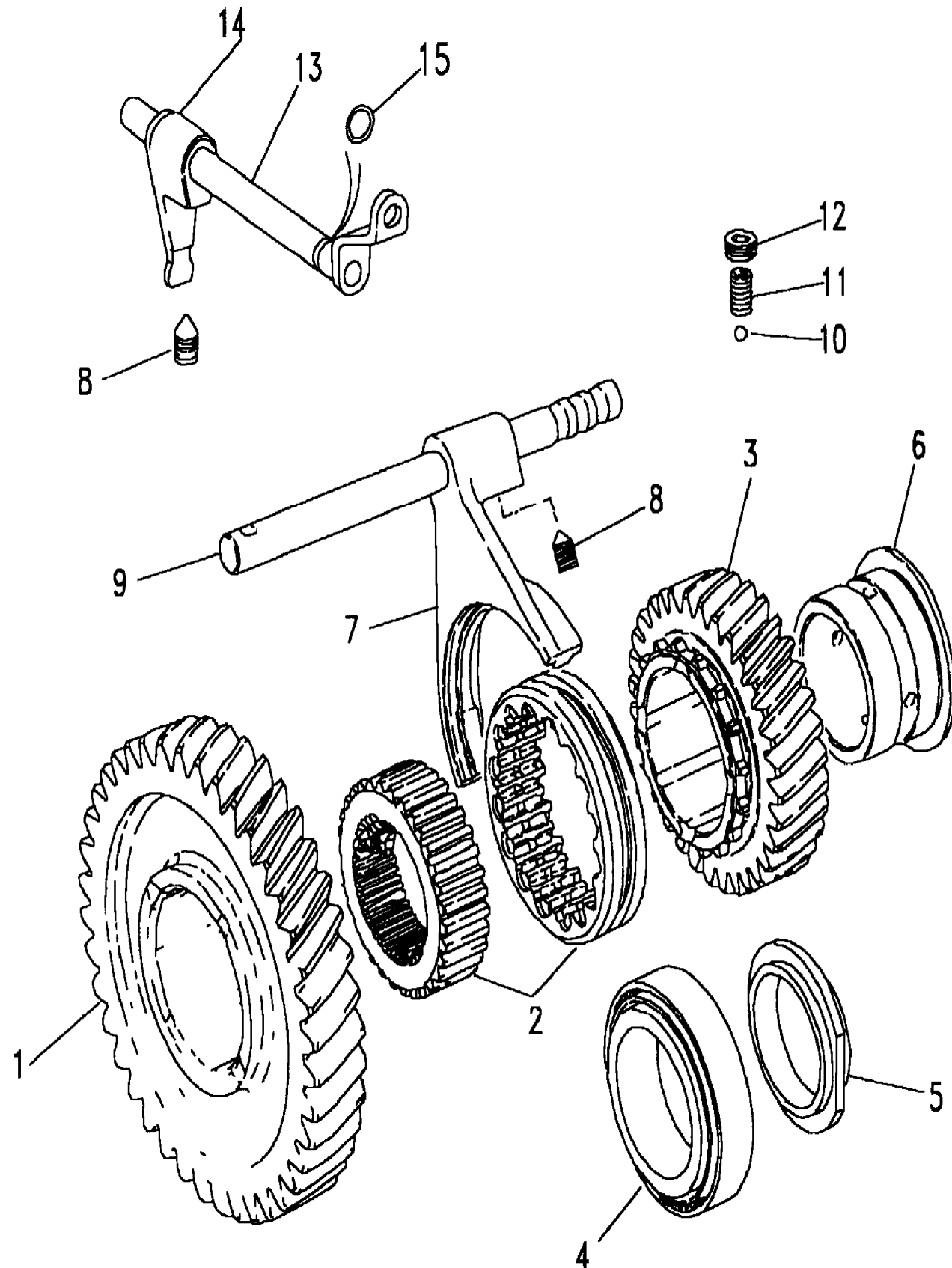


Transfer Box
LT230
High/Low Gear 1/2

Discovery (FA393361-WA799999)
(CADBKA1A)

Discovery (FA393361-WA799999)

Transfer Box
LT230
High/Low Gear



Callout	Name	Application	Remarks & Restrictions	Service No.	Qty
1	Gear-low output		Suffix C, Suffix D Suffix E, Suffix F, Suffix G	FRC7434 FTC1084	1 1
2	Hub & sleeve assembly- transfer box		Suffix C, Suffix D Suffix E, Suffix F, Suffix G	RTC4373 FTC382	1 1
3	Gear-high output		(-) MPI, Suffix C, Suffix D, 1.2 : 1 (-) MPI, Suffix E, 1.2 : 1 Change point - Transfer box end 308626E Change point - Transfer box begin 309143E, Change point - Transfer box end 551442F Change point - Transfer box begin 551443G MPi MPi	FRC9785 FTC1085 FTC4189 FTC4847 IEH500020 FRC7885 FTC1741	1 1 1 1 1 1 1 1
4	Bearing-taper roller			606474	1
5	Nut - Hex.			FRC7970	1
6	Bush		Change point - Transfer box end 551442F Change point - Transfer box end 551442F Change point - Transfer box begin 551443G Change point - Transfer box begin 551443G	FRC7441 IEE100050 FTC4955 IEE100050	1 1 1 1
7	Fork-high/low selector			FRC5458 FTC2859	1 1
8	Screw-Grub			FRC7018	1
9	Shaft-selector lever			FRC9513 FTC3627	1 1
10	Ball-detent manual transmission			571146	1
11	Spring-transfer box detent			FRC5562	1
12	Screw		M12 M12 x 10, patch lock	SU112101M SU112101S SU112101L	1 1 1
13	Shaft assembly-high/low selector			FRC8900	1

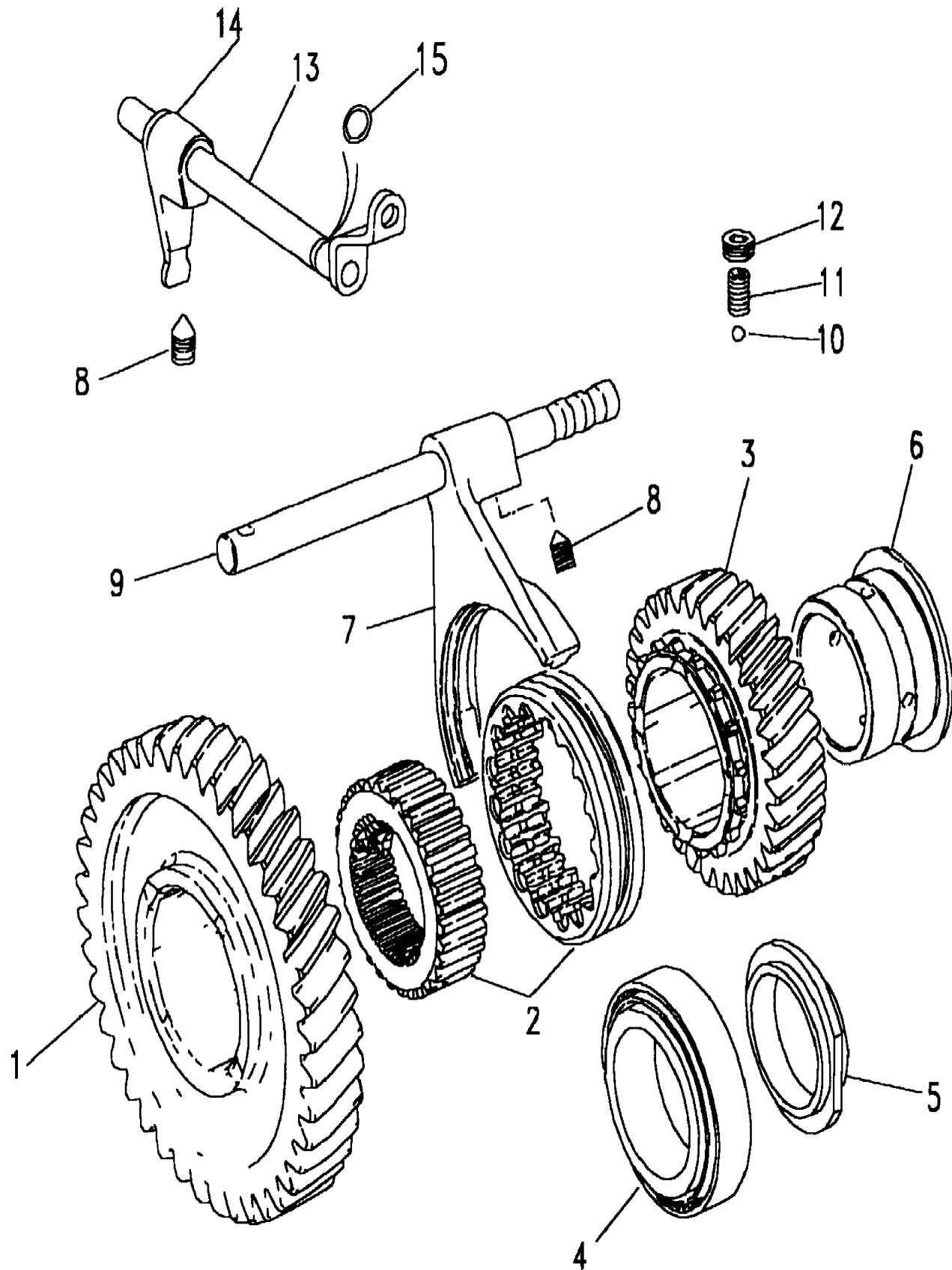
Transfer Box
LT230
High/Low Gear 2/2

Discovery (FA393361-WA799999)
(CADBKA1A)

Discovery (FA393361-WA799999)

Transfer Box
LT230
High/Low Gear

Callout	Name	Application	Remarks & Restrictions	Service No.	Qty
14	Finger assembly-transfer box high/low selector			FRC7929	1
15	O Ring			FRC5575	2



Transfer Box
LT230
Housing Automatic 1/1

Discovery (FA393361-WA799999)

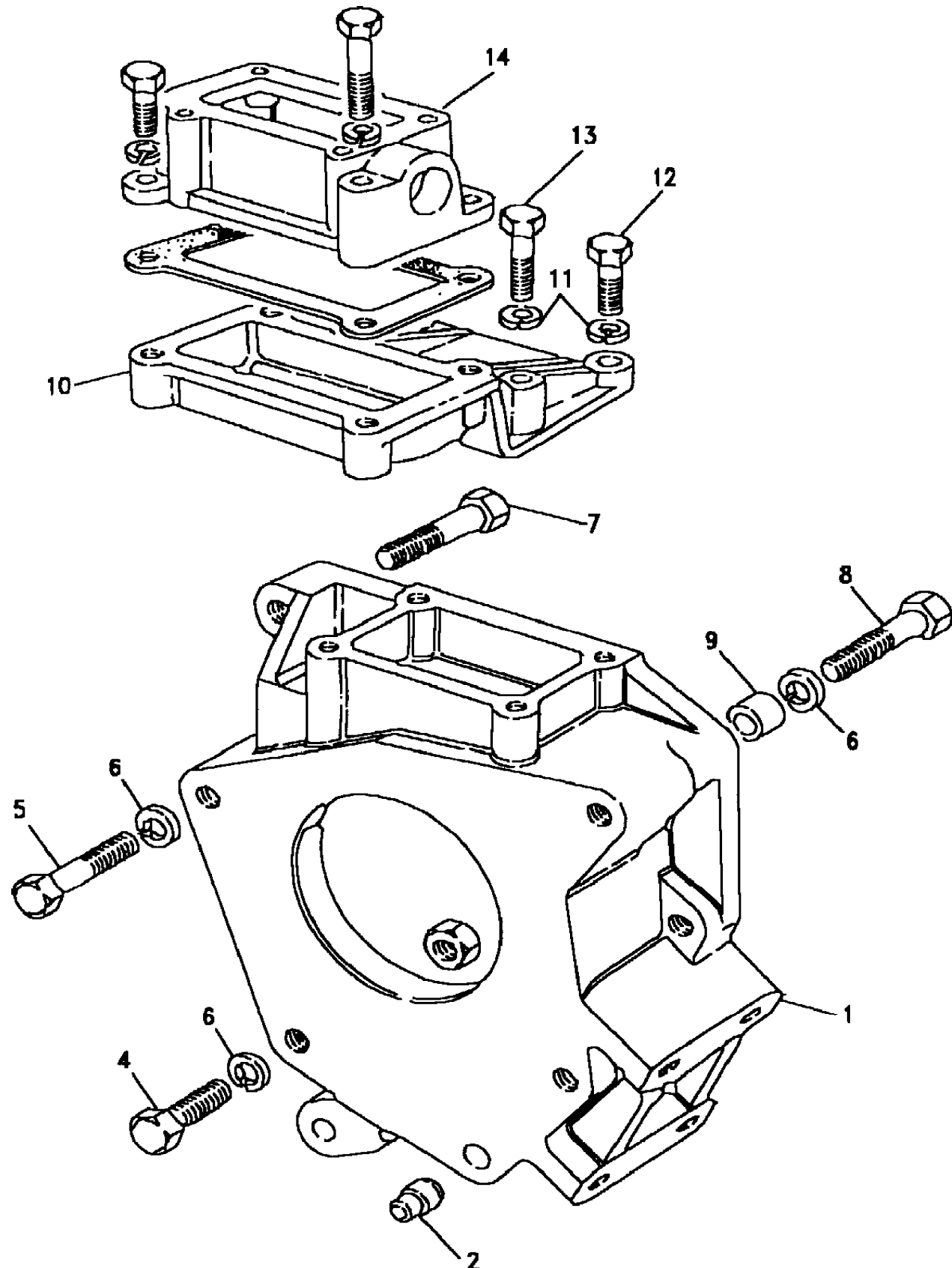
(CADBCA2A)

Discovery (FA393361-WA799999)

Transfer Box
LT230
Housing Automatic

Automatic Transmission

Callout	Name	Application	Remarks & Restrictions	Service No.	Qty
1	Housing-governor extension	V8 4 Cyl TDi		RTC4659 STC1578	1 1
2	Dowel		For Extension Housing Refer To Gearbox; ZF Auto	571134	1
3	Nut - Hex.		M10, hexagonal head, Coarse Thread	NH110041L	2
4	Screw			FRC5053	1
5	Screw		hexagonal head, M10 x 40	SH110401L	3
6	Washer		M10	WL110001L	12
7	Bolt		Pre-Impregnated With Adhesive, Flanged Head, M10 x 40	FB110081ML	2
8	Bolt		Pre-Impregnated With Adhesive, Flanged Head, M10 X 45	FB110091ML	1
9	Dowel-ring		15.0mm	FRC2482	1
10	Housing-manual transmission gearchange			FRC8558	1
11	Washer		M8, sprung	WL108001L	4
12	Screw		M8 x 25, hexagonal head M8 x 25, Flanged Head	SH108251L FS108251L	2 2
13	Bolt		Flanged Head, M8 x 55	FB108111L	2
14	Housing assembly-gear change cross shaft			FRC8751	1
[900]	Screw		M8 x 25, hexagonal head	SH108257	2
[901]	Washer		8MM, sprung	WL108007	4
[902]	Gasket-transfer box gear change housing plate			FRC6306 FTC4036	1 1
[903]	Switch-transfer box audible warning	(+)"J"		AMR3046	X
[904]	Washer-sealing	(+)"J"		ALU1403L	X
[905]	Plug-Drain			FTC5208	1



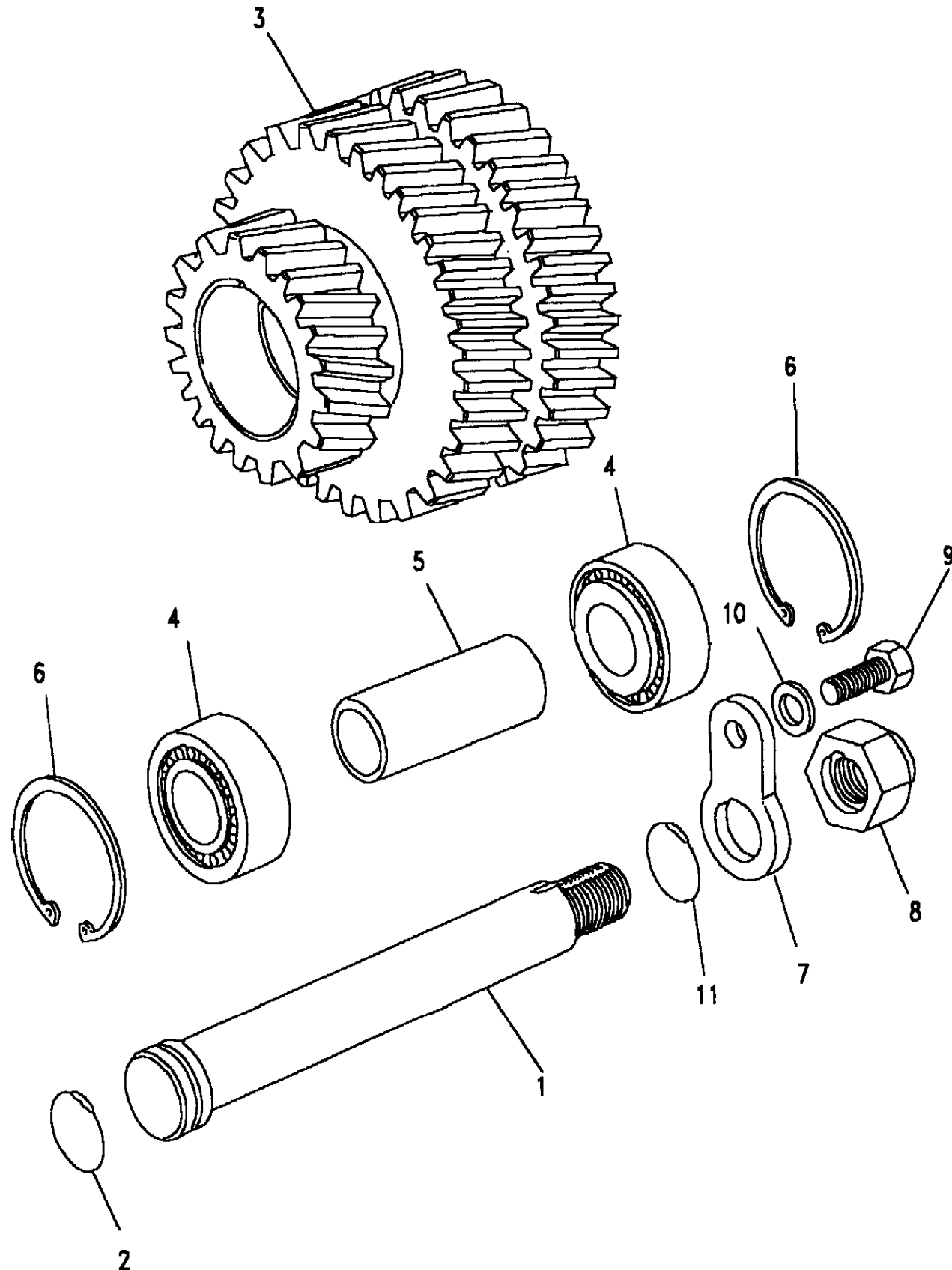
Transfer Box
LT230
Intermediate Shaft 1/1

Discovery (FA393361-WA799999)
(CADBIA2A)

Discovery (FA393361-WA799999)

Transfer Box
LT230
Intermediate Shaft

Callout	Name	Application	Remarks & Restrictions	Service No.	Qty
1	Shaft-transfer box-intermediate			FRC8291	1
2	O Ring			FRC8292	1
3	Gear-intermediate shaft	Change point - Transfer box end 308626E	(-) MPI, 1.2 : 1	FRC9552	1
		Change point - Transfer box begin 309143E, Change point - Transfer box end 551442F	(-) MPI, 1.2 : 1	FTC4190	1
		Change point - Transfer box begin 551443G	(-) MPI, 1.2 : 1	FTC4846	1
		MPI	(-) MPI, 1.2 : 1 1.4 : 1	IEH000081 FRC9460	1 1
4	Bearing intermediate shaft assembly			FRC7810	2
				STC3185	2
5	Spacer			FRC7437	1
6	Circlip			FRC7454	2
7	Plate-transfer box anti rotation			FRC7452	1
8	Locknut			FRC7453	1
9	Screw		M8 x 25, Flanged Head	FS108251ML	1
10	Washer		8MM	WA108051L	1
11	O Ring			FRC7439	1

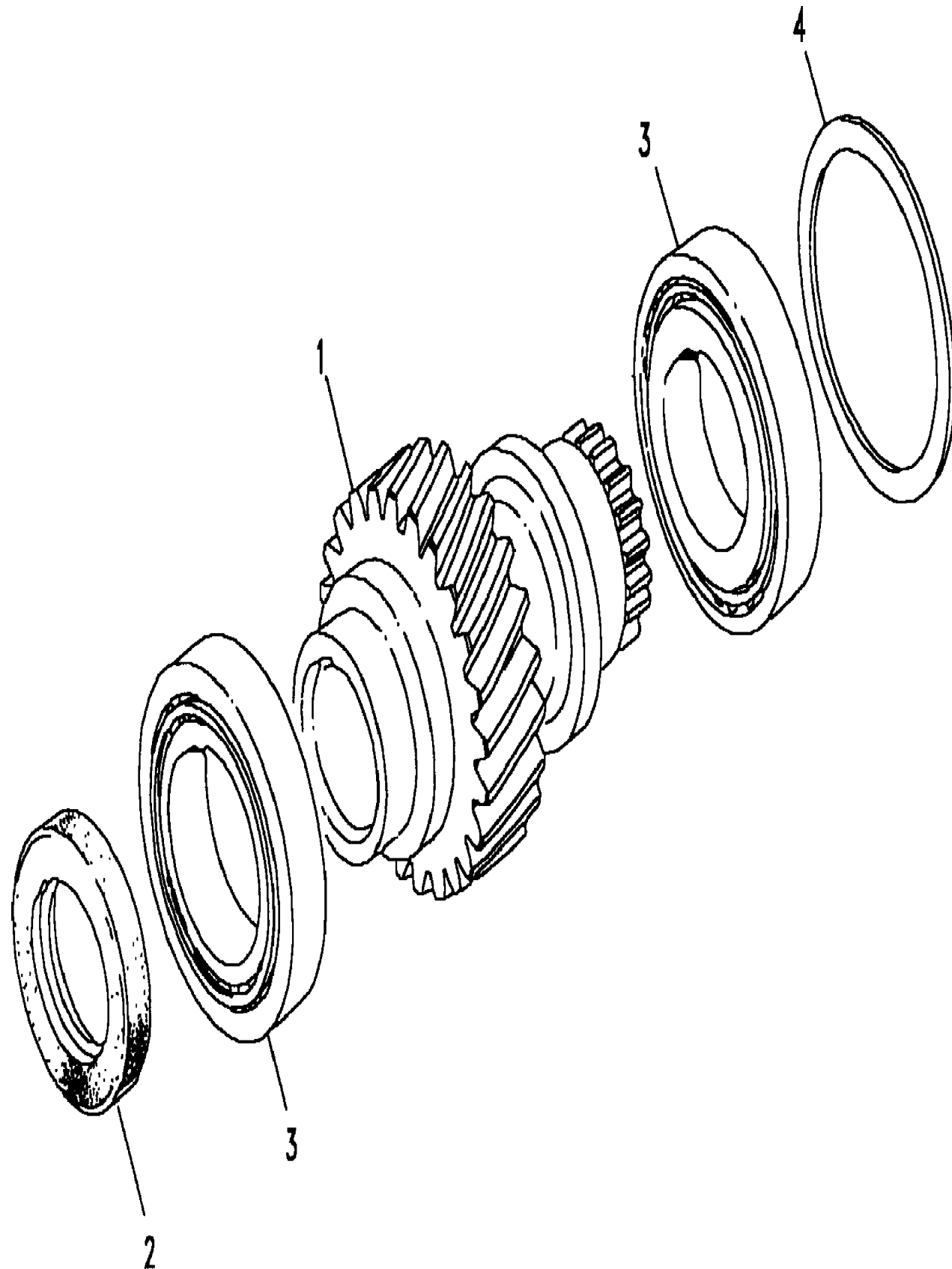


Transfer Box
LT230
Mainshaft Gear 1/1

Discovery (FA393361-WA799999)
(CADBIA1A)

Discovery (FA393361-WA799999)

Transfer Box
LT230
Mainshaft Gear



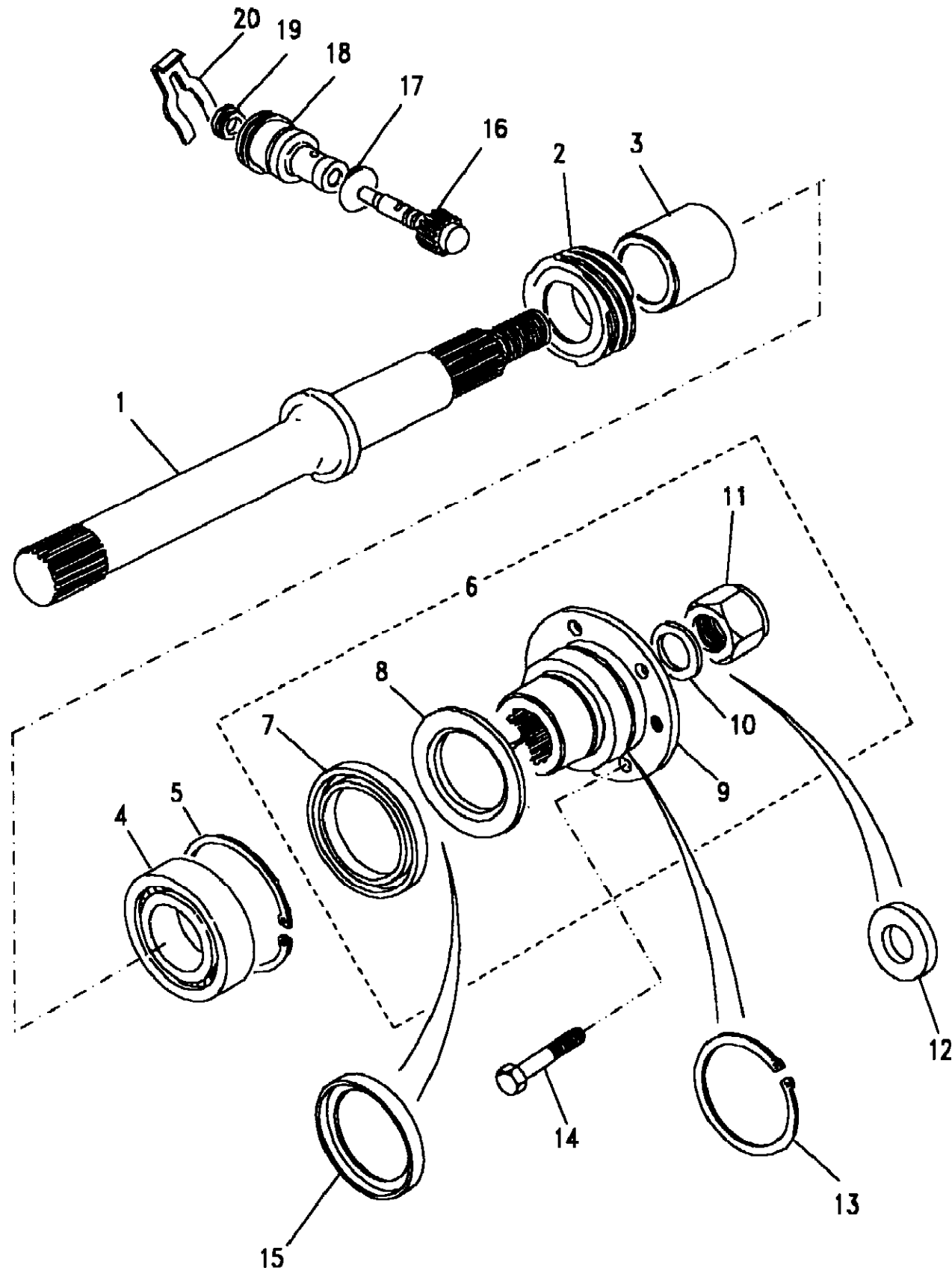
Callout	Name	Application	Remarks & Restrictions	Service No.	Qty		
1	Gear-mainshaft	Change point - Transfer box end 551442F	(-) MPI, 26 teeth	FRC8917	1		
		Change point - VIN end LA081991	(-) MPI, 26 teeth	FRC8917	1		
			1.4 : 1, 26 teeth	FTC5089	1		
		Change point - Transfer box end 551442F	1.4 : 1, 26 teeth	FTC5089	1		
		Change point - Transfer box end 551442F	28 teeth	FTC4188	1		
		Change point - VIN begin MA081992, Change point - VIN end MA149447	28 teeth	FTC4188	1		
		Change point - Transfer box end 551442F	28 teeth	FTC4818	1		
		Change point - VIN begin MA149448, Change point - VIN end TA178213	28 teeth	FTC4818	1		
		Change point - VIN begin TA500000, Change point - VIN end TA509009	28 teeth	FTC4818	1		
		Change point - VIN begin TA178214	28 teeth	FTC5087	1		
		Change point - VIN begin TA509010	28 teeth	FTC5087	1		
		Change point - Transfer box begin 551443G	1.2 : 1, 38 teeth	FTC4850	1		
		Change point - Transfer box begin 551443G, MPi	1.4 : 1, 26 teeth	FTC4962	1		
		2	Seal		transfer box input	FRC2365	1
					transfer box input	ICV100000	1
		3	Mainshaft bearing			FRC5564	2
4	Shim		3.15MM	FRC9926	X		
			3.20MM	FRC9928	X		
			3.25MM	FRC9930	X		
			3.30MM	FRC9932	X		
			3.35MM	FRC9934	X		
			3.40MM	FRC9936	X		
			3.45MM	FRC9938	X		
			3.50MM	FRC9940	X		
			3.55MM	FRC9942	X		
			3.6MM	FRC9944	X		
			3.65MM	FRC9946	X		
			3.70MM	FRC9948	X		
			3.75MM	FRC9950	X		
			3.80MM	FRC9952	X		
			3.85MM	FRC9954	X		
			3.90MM	FRC9956	X		
	3.95MM	FRC9958	X				
	4.00mm	FRC9960	X				

Transfer Box
LT230
Rear Flange 1/2

Discovery (FA393361-WA799999)
(CADBIA5A)

Discovery (FA393361-WA799999)

Transfer Box
LT230
Rear Flange



Callout	Name	Application	Remarks & Restrictions	Service No.	Qty
1	Shaft assembly-rear output			FRC5450	1
2	Gear-speedometer drive			FRC3162	1
3	Spacer			FRC5446	1
4	Bearing-ball			STC1130	1
5	Circlip		Large	216962	1
6	Kit-flange		Also serviced as part of a kit, Rear	STC3433	1
7	Seal-transfer box output	Change point - Transfer box begin 28D526135F Change point - Transfer box begin 34D526135F Change point - Transfer box begin 28D000001A, Change point - Transfer box end 28D526134F Change point - Transfer box begin 34D000001A, Change point - Transfer box end 34D526134F	Also serviced as part of a kit	FTC4939	1
			Also serviced as part of a kit	FTC4939	1
				FRC7043	1
				FRC7043	1
8	Mudshield-transfer box oil seal	Change point - Transfer box begin 28D526135F Change point - Transfer box begin 34D526135F	Also serviced as part of a kit	FTC4941	1
			Also serviced as part of a kit	FTC4941	1
9	Flange assembly-rear output		Also serviced as part of a kit	FTC4942	1
		Change point - Transfer box begin 28D000001A, Change point - Transfer box end 28D526134F Change point - Transfer box begin 34D000001A, Change point - Transfer box end 34D526134F		FRC5438	1
				FRC5438	1
10	Washer		Also serviced as part of a kit	FRC2464	1
11	Nut-hexagonal-nyloc		Also serviced as part of a kit, M20	NY120041L	1
12	Washer			571468	1
13	Circlip			571682	1
14	Bolt		3/8UNF x 1 3/4	FRC3602	1
15	Mudshield-transfer box oil seal	Change point - Transfer box begin 28D000001A, Change point - Transfer box end 28D526134F	Rear	571970	1

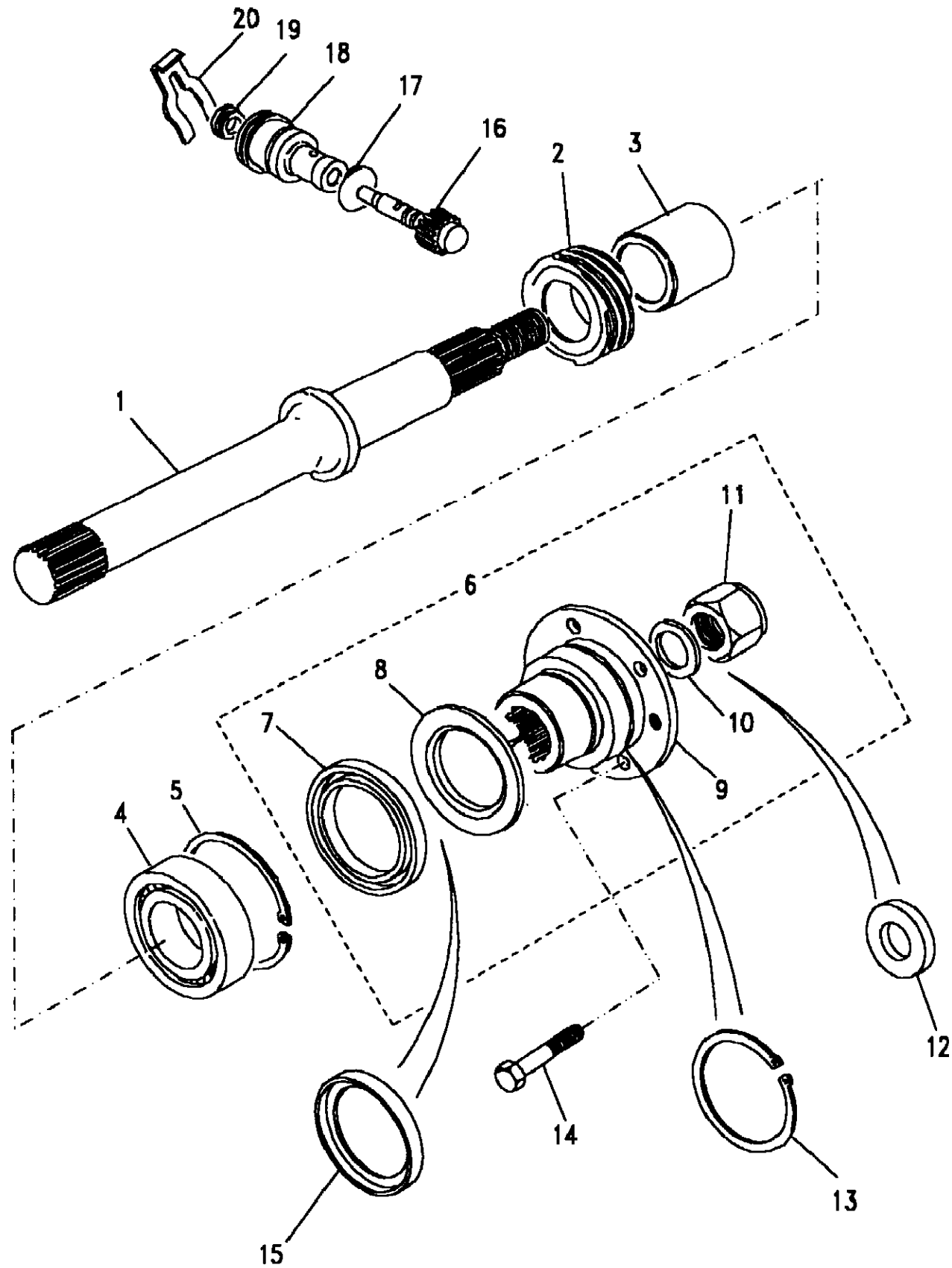
Transfer Box
LT230
Rear Flange 2/2

Discovery (FA393361-WA799999)
(CADBIA5A)

Discovery (FA393361-WA799999)

Transfer Box
LT230
Rear Flange

Callout	Name	Application	Remarks & Restrictions	Service No.	Qty
15	Mudshield-transfer box oil seal	Change point - Transfer box begin 34D000001A, Change point - Transfer box end 34D526134F	Rear	571970	1
16	Gear-speedometer drive	With Diesel Engines, (-)"GCC" Twin Carburettor EFI TDi Diesel, Automatic Transmission, (+)"GCC"	20 Teeth, Blue. 20 Teeth, Blue. 23 Teeth 23 Teeth	FRC3310 FRC3310 FRC9339 FRC9339	1 1 1 1
17	O Ring			571665	1
18	Housing-spindle			FRC3286	1
19	Seal-oil speedometer pinion			AAU2304	1
20	Plate-oil seal retainer			533765	1



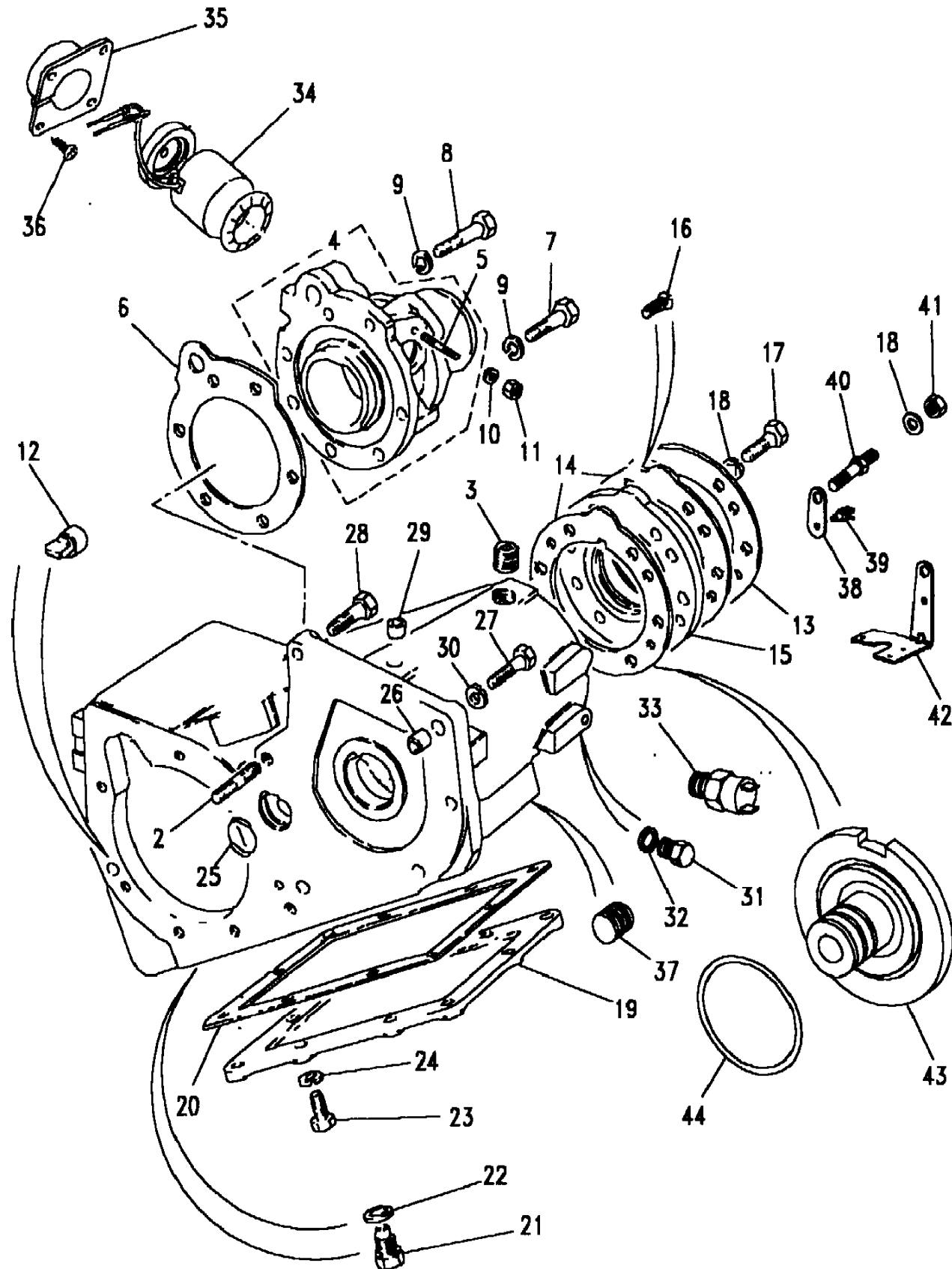
Transfer Box
LT230
Speedo Housing 1/4

Discovery (FA393361-WA799999)

(CADBEA1B)

Discovery (FA393361-WA799999)

Transfer Box
LT230
Speedo Housing



Callout	Name	Application	Remarks & Restrictions	Service No.	Qty		
1	Casing-transfer box	Change point - Transfer box end 551442F, Manual Transmission, (+)"GB"	Also serviced as part of a kit	FTC1748	1		
		Change point - Transfer box end 551442F, Manual Transmission, (+)"J"	Also serviced as part of a kit	FTC1748	1		
		Change point - Transfer box end 551442F, Manual Transmission, (-)"GB"	Also serviced as part of a kit	FTC1748	1		
		Change point - Transfer box end 551442F, Automatic Transmission, (+)"GB"	Also serviced as part of a kit	FTC1748	1		
		Change point - Transfer box end 551442F, Automatic Transmission, (-)"GB"	Also serviced as part of a kit	FTC1748	1		
		Change point - Transfer box begin 551443G, Manual Transmission, (-)"GB"	Also serviced as part of a kit	FTC4849	1		
		Change point - Transfer box begin 551443G, Manual Transmission, (+)"GB"	Also serviced as part of a kit	FTC4849	1		
		Change point - Transfer box begin 551443G, Manual Transmission, (+)"J"	Also serviced as part of a kit	FTC4849	1		
		Change point - Transfer box begin 551443G, Automatic Transmission, (-)"GB"	Also serviced as part of a kit	FTC4849	1		
		Change point - Transfer box begin 551443G, Automatic Transmission, (+)"GB"	Also serviced as part of a kit	FTC4849	1		
		Change point - Transfer box end 551442F, Automatic Transmission, (+)"J", With Interlock	Also serviced as part of a kit	FTC2828	1		
		Change point - Transfer box begin 551443G, Automatic Transmission, (+)"J", With Interlock	Also serviced as part of a kit	FTC4848	1		
		2	Stud-bolt	Change point - Transfer box end 551442F, Manual Transmission, (+)"J"	Also serviced as part of a kit	FRC5595	2
				Change point - Transfer box end 551442F, Manual Transmission, (+)"GB"	Also serviced as part of a kit	FRC5595	2
				Change point - Transfer box end 551442F, Manual Transmission, (-)"GB"	Also serviced as part of a kit	FRC5595	2
		3	Plug-drain/filler level			608246	2
		4	Housing-speedometer driven gear	Change point - Axle end 28D283204E	Also serviced as part of a kit	FRC7449	1
Change point - Axle begin 28D283205E	Also serviced as part of a kit			FTC4186	1		
	Also serviced as part of a kit			FTC4185	1		

Transfer Box
LT230
Speedo Housing 2/4

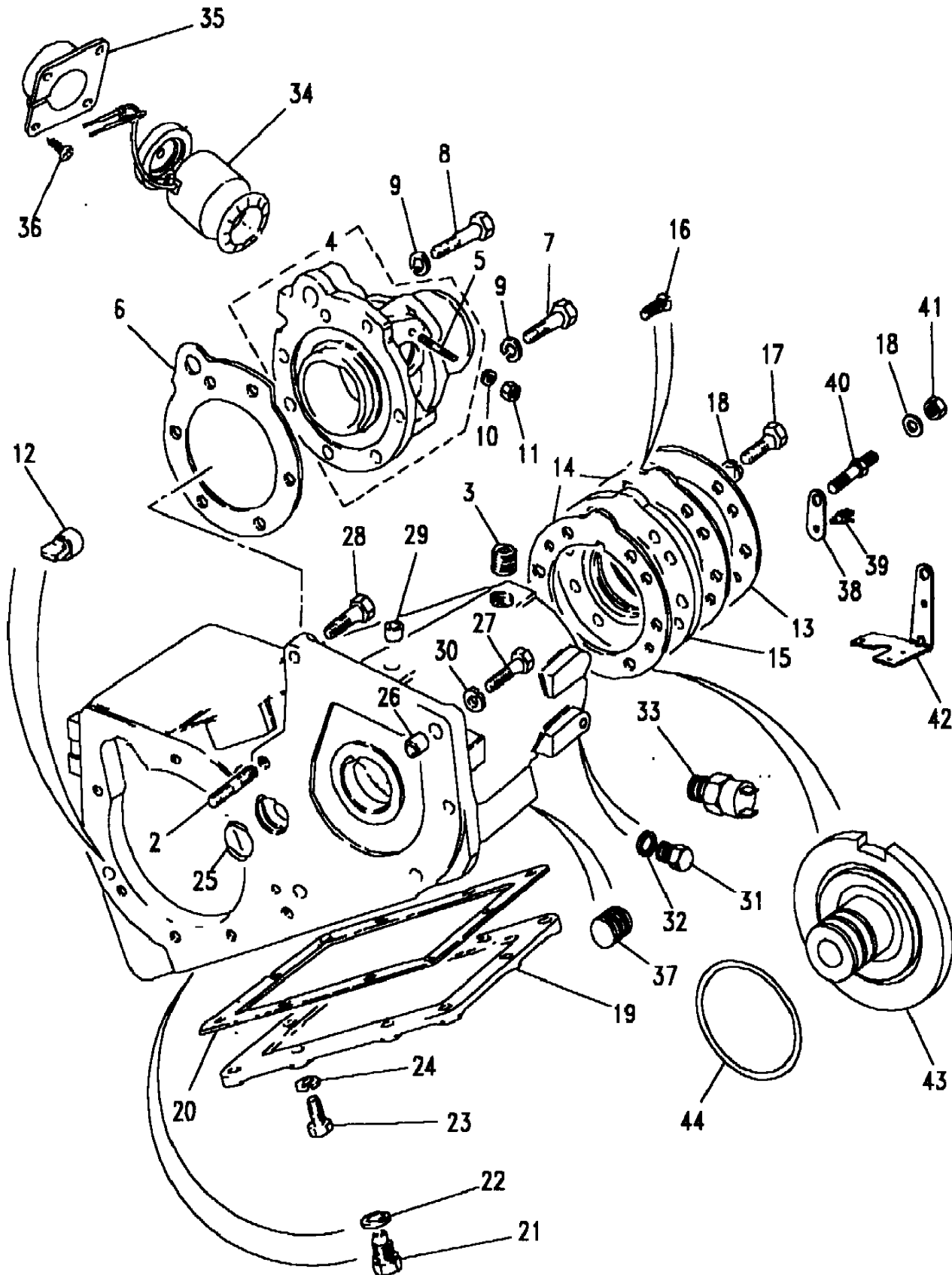
Discovery (FA393361-WA799999)

(CADBEA1B)

Discovery (FA393361-WA799999)

Transfer Box
LT230
Speedo Housing

Callout	Name	Application	Remarks & Restrictions	Service No.	Qty
4	Housing-speedometer driven gear		Also serviced as part of a kit	STC3406	1
5	Stud	Change point - Axle end 28D283204E	Also serviced as part of a kit	571536	1
6	Gasket-transfer box speedometer housing	Change point - Axle end 28D283204E		FRC5409	1
7	Screw		Less Alternatives, hexagonal head, M10 x 30 Less Alternatives, Flanged Head, M10 x 30, top Less Alternatives, M10 x 30	SH110301L FS110301L FS110301ML	5 5 5
8	Bolt		Less Alternatives, M10 X 45 Less Alternatives, Flanged Head, M10 X 45	BH110091L FB110091ML	1 1
9	Washer		M10	WA110061L	6
10	Washer		6MM	WA106041L	1
11	Nut - Hex.		M6, hexagonal head, nyloc M6, hexagonal head, nyloc	NY106041L NY106047L	1 1
12	Dowel			FRC5594	1
13	Cover-transfer box power take off	Manual Transmission Automatic Transmission		FTC2061 FTC3178	1 1
14	Gasket-transfer box power take off cover			FRC5413	2
15	Housing-bearing shaft	Change point - Transfer box end 551442F Change point - Transfer box begin 551443G		FRC6943 FTC4866	1 1
16	Screw		M8 x 25	SF108251L	2
17	Bolt		M10 x 35 hexagonal head, M10 x 35	BH110071L BX110071L	6 6
18	Washer		M10	WA110061L	6
19	Cover-transfer box			FRC5415	1
20	Gasket-transfer box bottom cover			FRC5416	1
21	Plug-Drain			599552	1
22	Washer-sealing		transfer box drain plug	FRC4808	1
23	Bolt	Change point - VIN end LA081991		BH108061L	10



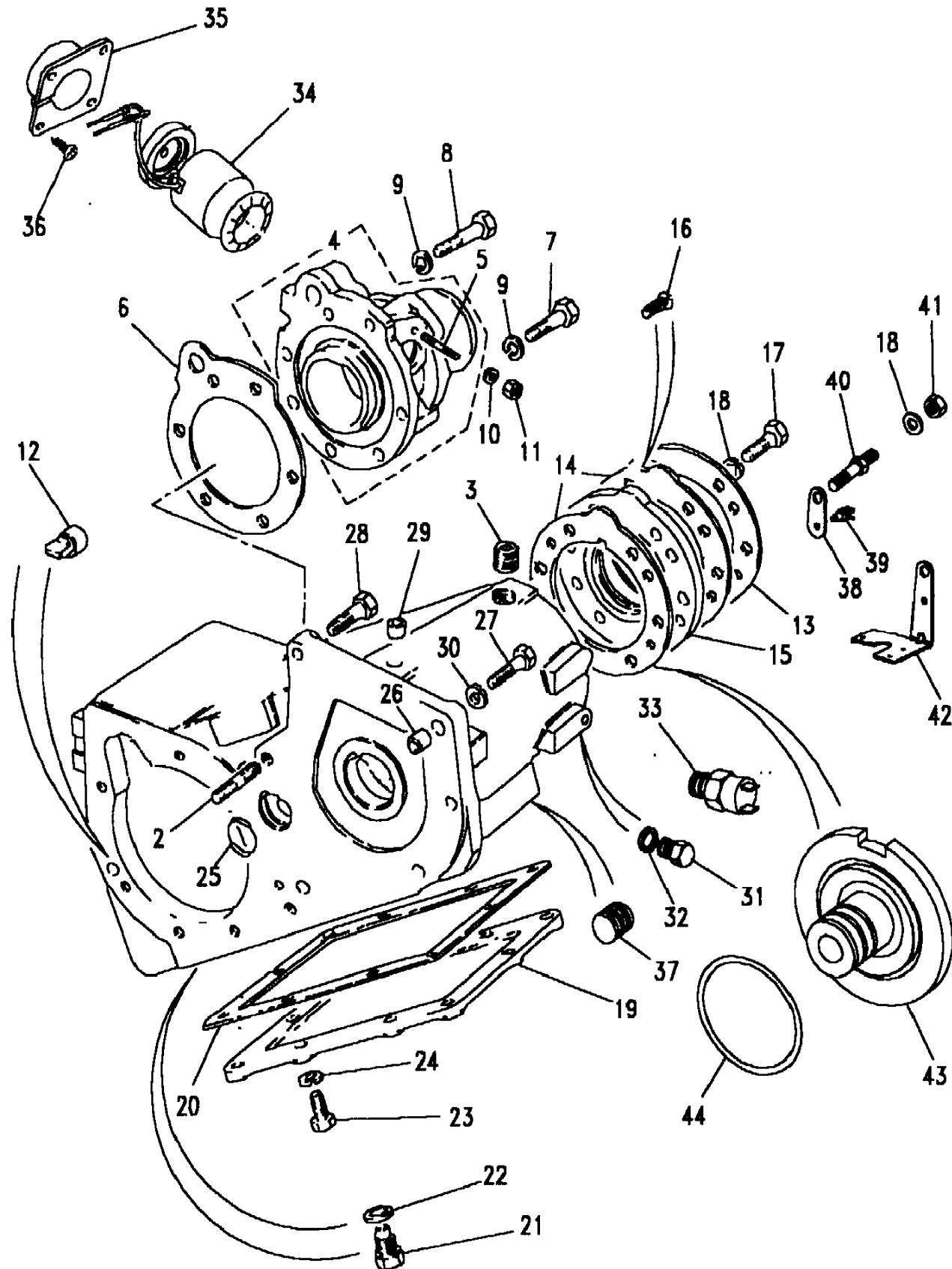
Transfer Box
LT230
Speedo Housing 3/4

Discovery (FA393361-WA799999)

(CADBEA1B)

Discovery (FA393361-WA799999)

Transfer Box
LT230
Speedo Housing



Callout	Name	Application	Remarks & Restrictions	Service No.	Qty	
23	Bolt	Change point - VIN begin MA081992	M8 X 30, Flanged Head	FB108061	10	
		Change point - VIN begin MA081992	M8 X 30, Flanged Head	FS108301L	10	
		Change point - VIN begin MA081992	M8 X 30, Flanged Head	FS108307L	10	
24	Washer		8MM	WA108051L	10	
25	O Ring	Change point - VIN end LA081991		FRC8292	1	
		Change point - VIN begin MA081992		571665	1	
26	Dowel-ring		15.0mm	FRC2482	1	
27	Bolt		M10 X 45	BH110091L	1	
28	Bolt		Less Alternatives, hexagonal head, M10 x 40	BH110081L	3	
29	Plug-core		6MM	UKC24L	1	
30	Washer		M10	WL110001L	1	
31	Plug	Change point - VIN end LA081991		602146	1	
				SH214141	1	
32	Washer-sealing	Change point - VIN end LA081991		Less Alternatives	232042	1
33	Switch-transfer box temperature sensor	Change point - VIN begin MA081992		Less Alternatives	PRC7984	1
34	Solenoid-gear change lock	Change point - VIN begin MA081992, (+)"J"			FTC3283	1
35	Cover-interlock solenoid	Change point - VIN begin MA081992, (+)"J"			FTC2829	1
36	Screw-flanged head	Change point - VIN begin MA081992, (+)"J"	M6 X 20, Flanged Head, patch lock	FS106201M	4	
37	Plug-drain/filler level			608246	1	
38	Bracket-transmission retaining			ANR3625	1	
39	Clip		Pipe, Single	PRC3180	1	
40	Stud	Less Alternatives, lifting bracket		FTC890	1	
		heatshield attachment		FTC1919	1	
41	Nut - Hex.	Less Alternatives, M10, hexagonal head, Coarse Thread		NH110041L	1	
		M10, flange		FN110041L	1	
		M10, flange		FN110047	1	

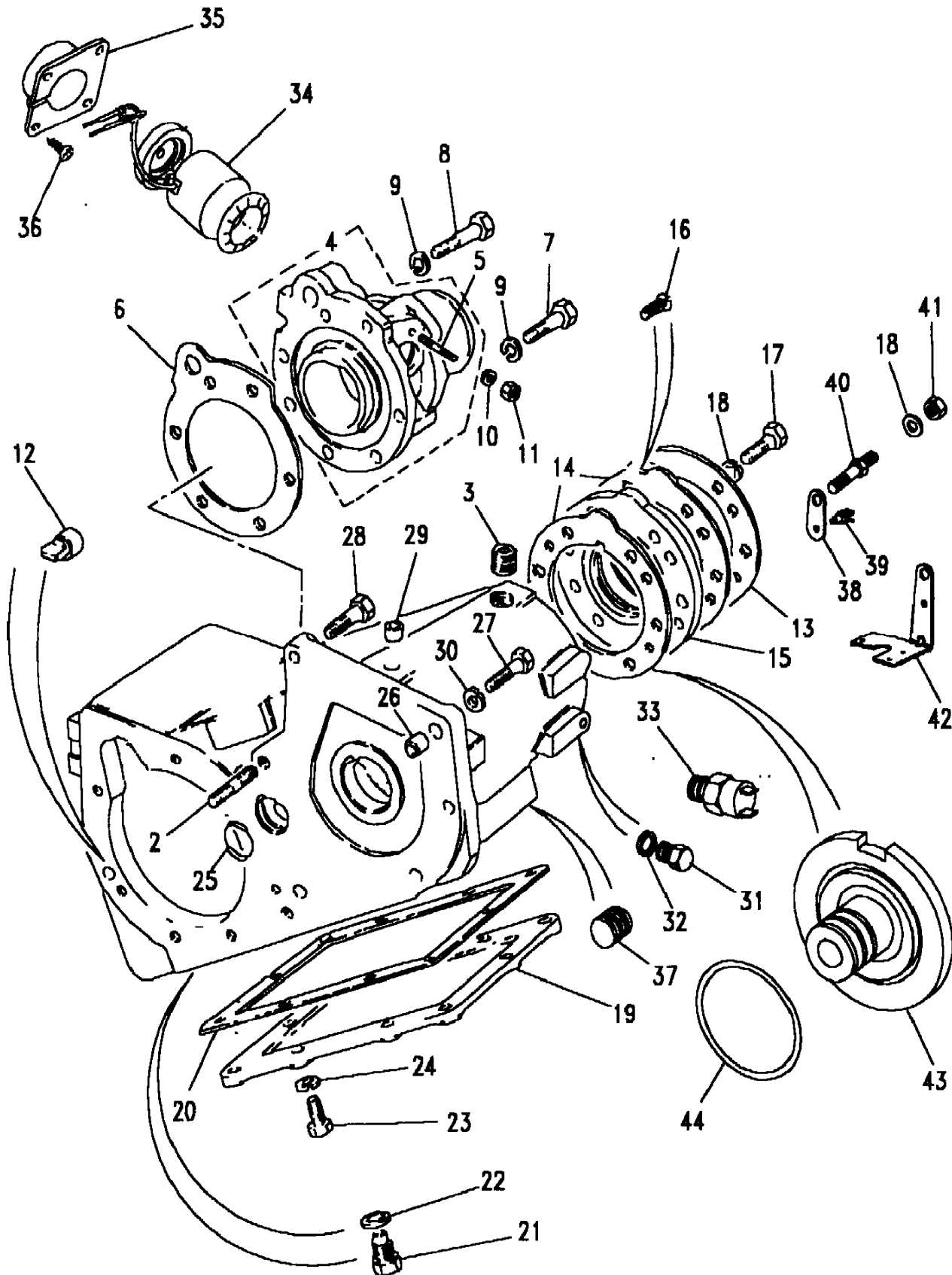
Transfer Box
LT230
Speedo Housing 4/4

Discovery (FA393361-WA799999)
(CADBEA1B)

Discovery (FA393361-WA799999)

Transfer Box
LT230
Speedo Housing

Callout	Name	Application	Remarks & Restrictions	Service No.	Qty
42	Bracket-transmission retaining			ANR3625	1
43	Plate-oil guide transmission case	Change point - Transfer box begin 445132E, Change point - Transfer box end 461123E		FTC4993	1
44	O Ring	Change point - Transfer box begin 445132E, Change point - Transfer box end 461123E		FTC4994	1
[900]	Sealant	Change point - Axle begin 28D283205E	silicone	RTC3254	1
[901]	Heatshield-bracket			ANR3227	1
[902]	Kit-plate & seal-oil guide			STC3615K	1



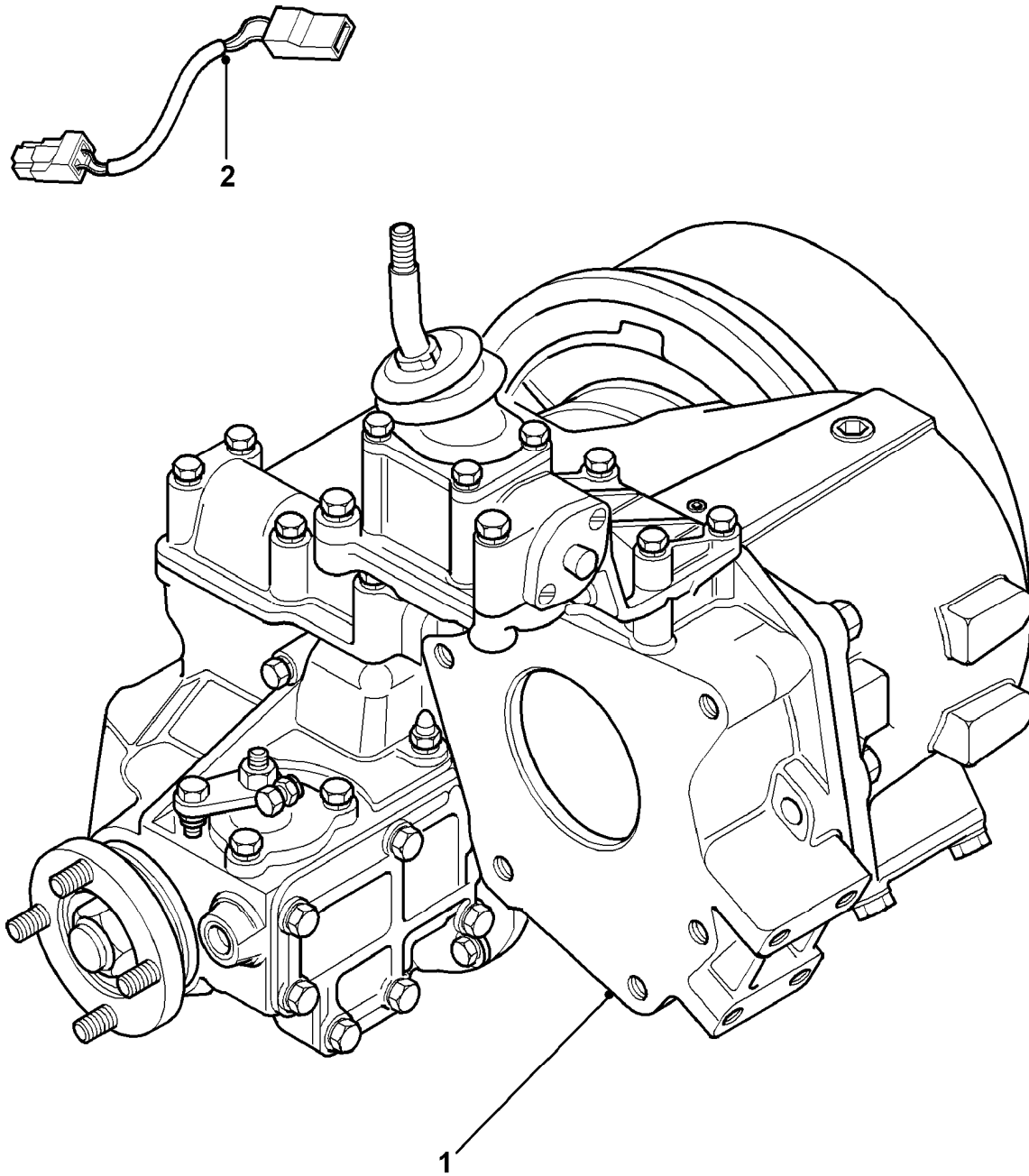
Transfer Box

Discovery (FA393361-WA799999)

LT230

Transfer Assembly 1/2

(CADBAA1B)



P01.075

08-2002

L4

CADBAA1B

Discovery (FA393361-WA799999)

Transfer Box

LT230

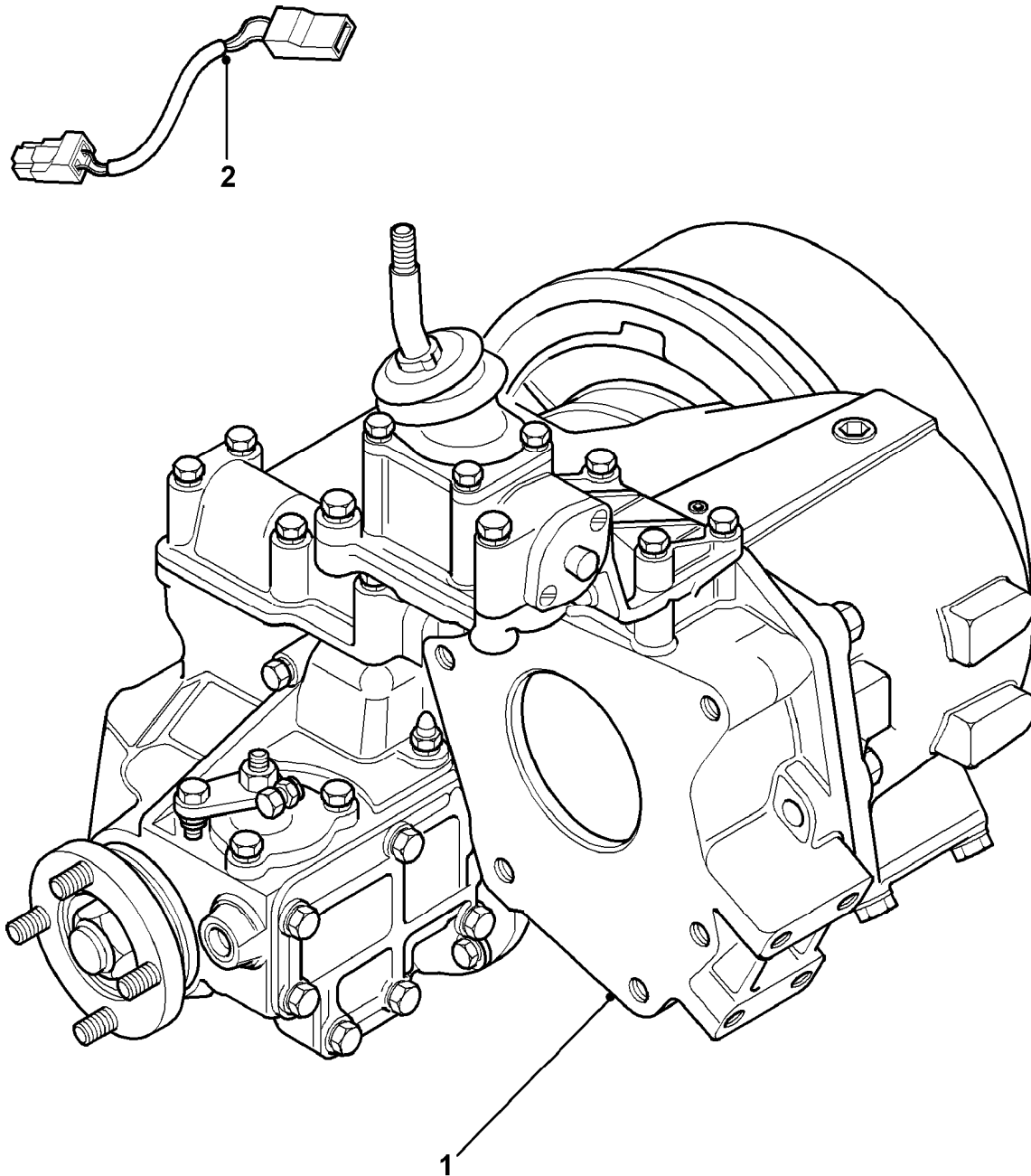
Transfer Assembly

Callout	Name	Application	Remarks & Restrictions	Service No.	Qty
1	Transfer Box	4 Cyl TDi Diesel, Manual Transmission	Suffix C, New, 1.2 : 1	FRC9467N	1
		V8 Twin Carb Petrol, Manual Transmission	Suffix C, New, 1.2 : 1	FRC9467N	1
		V8 Twin Carb Petrol, Manual Transmission	Suffix D, New, 1.2 : 1	STC1010N	1
		EFI, Manual Transmission	Suffix D, New, 1.2 : 1	STC1010N	1
		4 Cyl TDi Diesel, Manual Transmission	Suffix D, New, 1.2 : 1	STC1010N	1
		Change point - Transfer box end 308626E, 4 Cyl TDi Diesel, Automatic Transmission	Suffix E, New, 1.2 : 1	STC1475	1
		Change point - Transfer box end 308626E, EFI, Automatic Transmission	Suffix E, New, 1.2 : 1	STC1596	1
		Change point - Transfer box end 308626E, 4 Cyl MPi Petrol, Manual Transmission	Suffix E, New	STC1811	1
		Change point - Transfer box begin 309143E, EFI, Manual Transmission	Suffix E, New, 1.2 : 1	STC1144	1
		Change point - Transfer box begin 309143E, TDi Diesel, Manual Transmission	Suffix E, New, 1.2 : 1	STC1143	1
		Change point - Transfer box begin 309143E, EFI, Automatic Transmission, (-)"J"	Suffix E, New, 1.2 : 1	STC1108	1
		Change point - Transfer box begin 309143E, TDi Diesel, Automatic Transmission, (-)"GB"	Suffix E, New, 1.2 : 1	STC1794	1
		Change point - Transfer box begin 309143E, EFI, Automatic Transmission, (+)"J"	Suffix E, New, 1.2 : 1	STC1072	1
		Change point - Transfer box begin 309143E, TDi Diesel, Automatic Transmission, (+)"J"	Suffix E, New, 1.2 : 1	STC1830	1
		4 Cyl MPi Petrol, Manual Transmission	Suffix F, New	STC1811	1
		EFI, Manual Transmission	Suffix F, New, 1.2 : 1	STC1144	1
		TDi Diesel, Manual Transmission	Suffix F, New, 1.2 : 1	STC1143	1
		EFI, Automatic Transmission, (-)"J"	Suffix F, New, 1.2 : 1	STC1108	1
		TDi Diesel, Automatic Transmission, (-)"GB"	Suffix F, New, 1.2 : 1	STC1794	1
		EFI, Automatic Transmission, (+)"J"	Suffix F, New, 1.2 : 1	STC1072	1
		TDi Diesel, Automatic Transmission, (+)"J"	Suffix F, New, 1.2 : 1	STC1830	1
		Change point - Transfer box begin 551443G, EFI, Manual Transmission	Suffix G, New, 1.2 : 1	STC3608	1
		EFI, Manual Transmission	Suffix G, New, 1.2 : 1	IAB100020	1
		Change point - Transfer box begin 551443G, TDi, Manual Transmission	Suffix G, New, 1.2 : 1	STC3608	1

Transfer Box
LT230
Transfer Assembly 2/2

Discovery (FA393361-WA799999)

(CADBAA1B)



P01.075

08-2002

L4

CADBAA1B

Discovery (FA393361-WA799999)

Transfer Box
LT230
Transfer Assembly

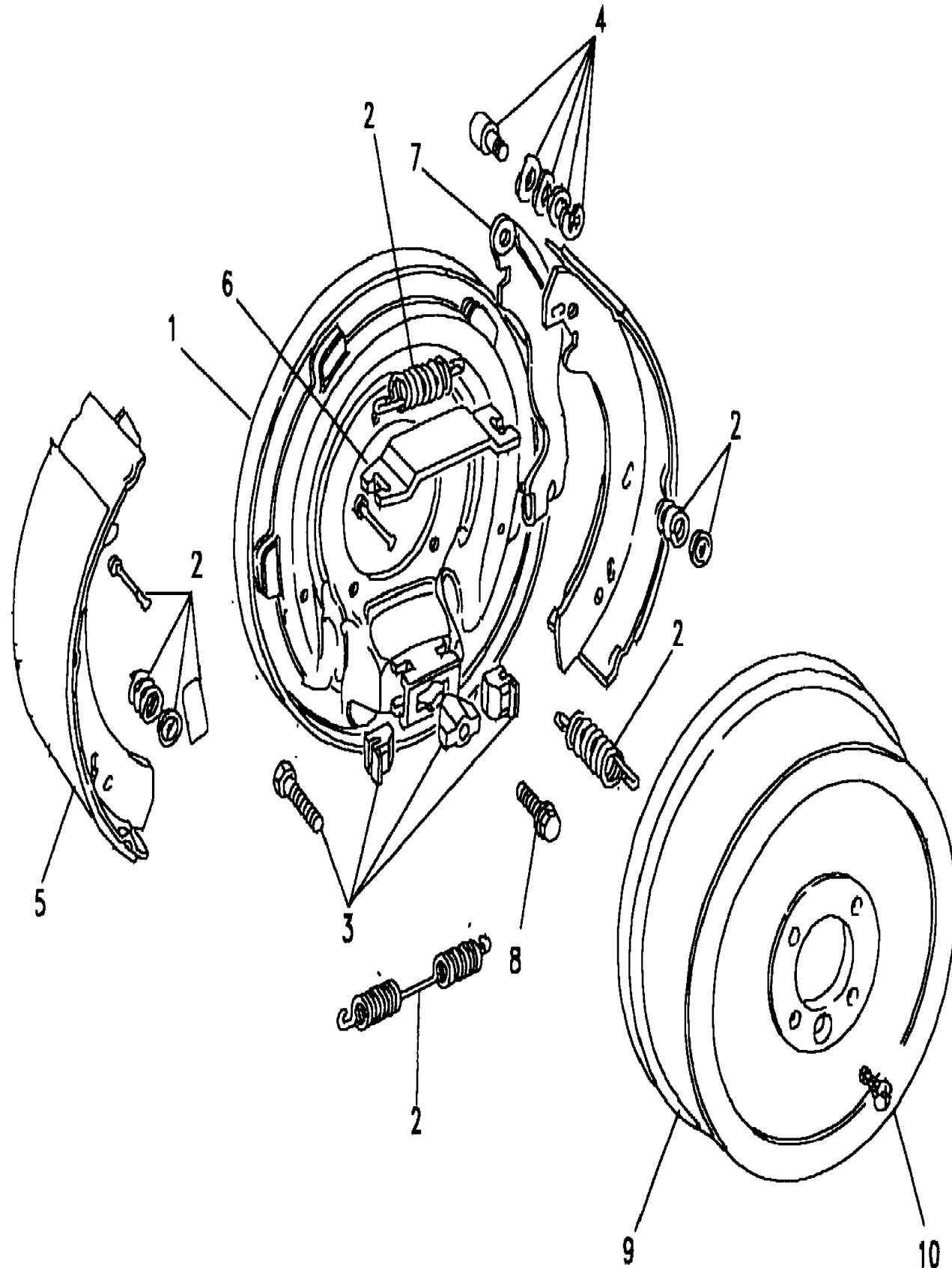
Callout	Name	Application	Remarks & Restrictions	Service No.	Qty
1	Transfer Box	TDi, Manual Transmission	Suffix G, New, 1.2 : 1	IAB100020	1
		Change point - Transfer box begin 551443G, Twin Carb, Manual Transmission	Suffix G, New, 1.2 : 1	STC3608	1
		Twin Carb, Manual Transmission	Suffix G, New, 1.2 : 1	IAB100020	1
		Change point - Transfer box begin 551443G, 4 Cyl MPi Petrol, Manual Transmission	Suffix G, New, 1.4 : 1	STC3609	1
		4 Cyl MPi Petrol, Manual Transmission	Suffix G, New, 1.4 : 1	IAB100030	1
		Change point - Transfer box begin 551443G, EFI, Automatic Transmission, (+)"GB"	Suffix G, New, 1.2 : 1	STC3608	1
		Change point - Transfer box begin 551443G, EFI, Automatic Transmission, (-)"GB"	Suffix G, New, 1.2 : 1	STC3608	1
		EFI, Automatic Transmission, (+)"GB"	Suffix G, New, 1.2 : 1	IAB100020	1
		EFI, Automatic Transmission, (-)"GB"	Suffix G, New, 1.2 : 1	IAB100020	1
		Change point - Transfer box begin 551443G, TDi, Automatic Transmission, (-)"GB"	Suffix G, New, 1.2 : 1	STC3608	1
		Change point - Transfer box begin 551443G, TDi, Automatic Transmission, (+)"GB"	Suffix G, New, 1.2 : 1	STC3608	1
		Change point - Transfer box begin 551443G, EFI, Automatic Transmission, (+)"J"	Shift Interlock, Suffix G, New, 1.2 : 1	STC3611	1
		Change point - Transfer box begin 551443G, TDi, Automatic Transmission, (+)"J"	Shift Interlock, Suffix G, New, 1.2 : 1	STC3611	1
		Change point - Transfer box end 551442F, 2.0L 16v MPi Petrol	Remanufactured Transfer Boxes Do Not Come With Transmission Brake Assembly, Any Sensors, Gear Linkage Or Speed, exchange, 1.4 : 1	STC8682E	1
		Change point - Transfer box end 551442F, Manual Transmission, (-)"J"	Remanufactured Transfer Boxes Do Not Come With Transmission Brake Assembly, Any Sensors, Gear Linkage Or Speed, Less Shift Interlock, exchange, 1.2 : 1	STC8959E	1
		Change point - Transfer box end 551442F, Automatic Transmission, (-)"J"	Remanufactured Transfer Boxes Do Not Come With Transmission Brake Assembly, Any Sensors, Gear Linkage Or Speed, Less Shift Interlock, exchange, 1.2 : 1 exchange, 1.4 : 1	STC8960E	1
		2	Wire Assy	Adaptor	

Transfer Box
LT230
Transmission Brake-Direct Entry Cable 1/1

Discovery (FA393361-WA799999)
(CADBRA2A)

Discovery (FA393361-WA799999)

Transfer Box
LT230
Transmission Brake-Direct Entry Cable



Callout	Name	Application	Remarks & Restrictions	Service No.	Qty
1	Backplate-transmission brake assembly	Change point - Transfer box begin 28D283205E		STC1533	1
2	Kit-transmission brake shoe retention	Change point - Transfer box begin 28D283205E		STC1526	1
3	Kit-transmission brake adjuster	Change point - Transfer box begin 28D283205E		STC1527	1
4	Kit-transmission brake shoe retention	Change point - Transfer box begin 28D283205E	Also serviced as part of a kit	STC1532	1
5	Kit-transmission brake shoe	Change point - Transfer box begin 28D283205E		STC1525	1
6	Shaft-cross-transmission brake	Change point - Transfer box begin 28D283205E		STC1536	1
7	Lever-transmission brake	Change point - Transfer box begin 28D283205E		STC1538	1
8	Bolt	Change point - Transfer box begin 28D283205E		AFU1400	4
9	Drum-transmission brake	Change point - Transfer box begin 28D283205E	Black	FRC3502	1
10	Screw	Change point - Transfer box begin 28D283205E	counter sunk, M8 x 20	SA108201	1

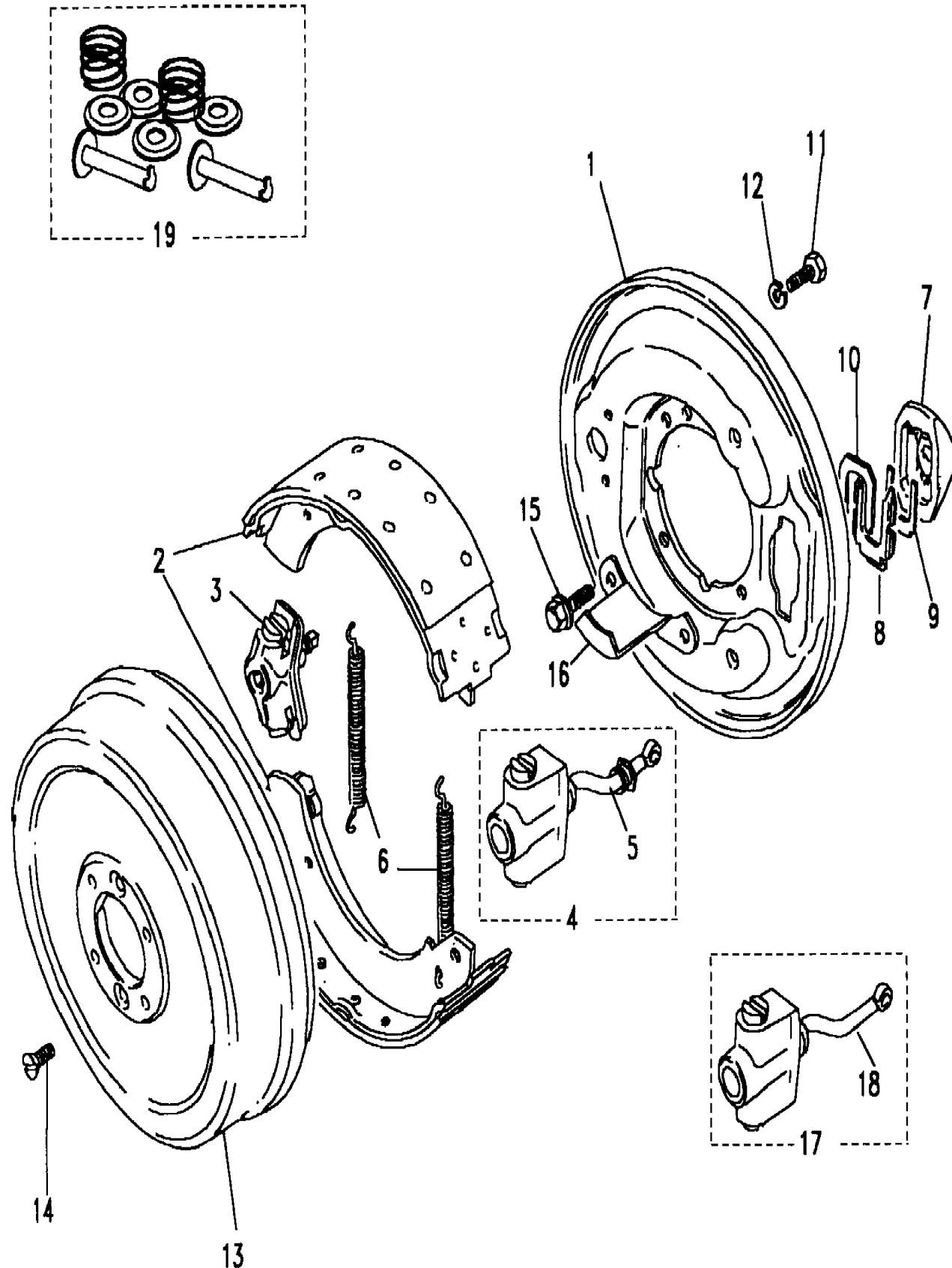
Transfer Box
LT230
Transmission Brake-Rod Operated 1/2

Discovery (FA393361-WA799999)

(CADBRA1A)

Discovery (FA393361-WA799999)

Transfer Box
LT230
Transmission Brake-Rod Operated



Callout	Name	Application	Remarks & Restrictions	Service No.	Qty
1	Backplate-transmission brake assembly	Change point - Transfer box end 28D283204E		STC963	1
2	Kit-transmission brake shoe	Change point - Transfer box end 28D283204E		STC965	1
3	Adjuster assembly-transfer box brake shoe	Change point - Transfer box end 28D283204E	Also serviced as part of a kit	STC244	1
4	Expander assembly-transfer box brake shoe	Change point - Transfer box end 28D283204E	Also serviced as part of a kit	AEU2734	1
5	Connecting rod assembly brake	Change point - Transfer box end 28D283204E		AEU2736	1
6	Spring-return	Change point - Transfer box end 28D283204E	Green	STC246	2
7	Cover-dust wheel cylinder	Change point - Transfer box end 28D283204E		515466	1
8	Plate-locking	Change point - Transfer box end 28D283204E		515467	1
9	Plate-packing	Change point - Transfer box end 28D283204E		515470	1
10	Plate	Change point - Transfer box end 28D283204E		515468	1
11	Screw	Change point - Transfer box end 28D283204E		AEU2737	2
12	Washer	Change point - Transfer box end 28D283204E		AEU2738	2
13	Drum-transmission brake	Change point - Transfer box end 28D283204E	Black	FRC3502	1
14	Screw	Change point - Transfer box end 28D283204E	counter sunk, M8 x 20	SA108201	2
15	Bolt	Change point - Transfer box end 28D283204E		AFU1400	4
16	Catcher-transfer box transmission brake oil	Change point - Transfer box end 28D283204E		FRC8093	1
17	Expander assembly-transfer box brake shoe	Change point - Transfer box end 28D283204E	Also serviced as part of a kit	AEU2734	1
18	Connecting rod assembly brake	Change point - Transfer box end 28D283204E	Also serviced as part of a kit	STC964	1
19	Kit-transmission brake springs	Change point - Transfer box end 28D283204E		STC1214	1

Transfer Box
LT230
Transmission Brake-Rod Operated 2/2

Discovery (FA393361-WA799999)
(CADBRA1A)

Discovery (FA393361-WA799999)

Transfer Box
LT230
Transmission Brake-Rod Operated

Transmission Brake-Rod Operated

Callout	Name	Application	Remarks & Restrictions	Service No.	Qty
[901]	Kit-transmission brake adjuster	Change point - Transfer box end 28D283204E	Also serviced as part of a kit	STC245	1

